



US00D836827S

(12) **United States Design Patent**  
**Trang**

(10) **Patent No.:** **US D836,827 S**

(45) **Date of Patent:** **\*\* Dec. 25, 2018**

(54) **TROFFER ASSEMBLY WITH CYLINDRICAL EXTENSIONS**

D781,492 S *	3/2017	Reynolds	.....	D26/118
D786,489 S *	5/2017	Stanley	.....	D26/118
D802,826 S *	11/2017	Stanley	.....	D26/118
D819,875 S *	6/2018	Yorio	.....	D26/118

(71) Applicant: **Nhien Trang**, San Jose, CA (US)

\* cited by examiner

(72) Inventor: **Nhien Trang**, San Jose, CA (US)

*Primary Examiner* — Brian N. Vinson

(\*\*) Term: **15 Years**

(74) *Attorney, Agent, or Firm* — Ricky Lam

(21) Appl. No.: **29/627,462**

(22) Filed: **Nov. 28, 2017**

(51) **LOC (11) Cl.** ..... **26-99**

(52) **U.S. Cl.**  
USPC ..... **D26/118**

(58) **Field of Classification Search**  
USPC ... D26/1, 11, 24, 26, 37, 38, 39, 67, 73, 74,  
D26/85, 89, 104, 118, 120, 124, 126, 138,  
D26/139; D13/180  
CPC ..... F21L 17/00; F21L 19/00; A63J 2019/003;  
A61B 2017/00902; A61B 2017/00907;  
A61B 2017/0092  
See application file for complete search history.

(56) **References Cited**

**U.S. PATENT DOCUMENTS**

D739,595 S *	9/2015	Reynolds	.....	D26/118
D751,244 S *	3/2016	Reynolds	.....	D26/118

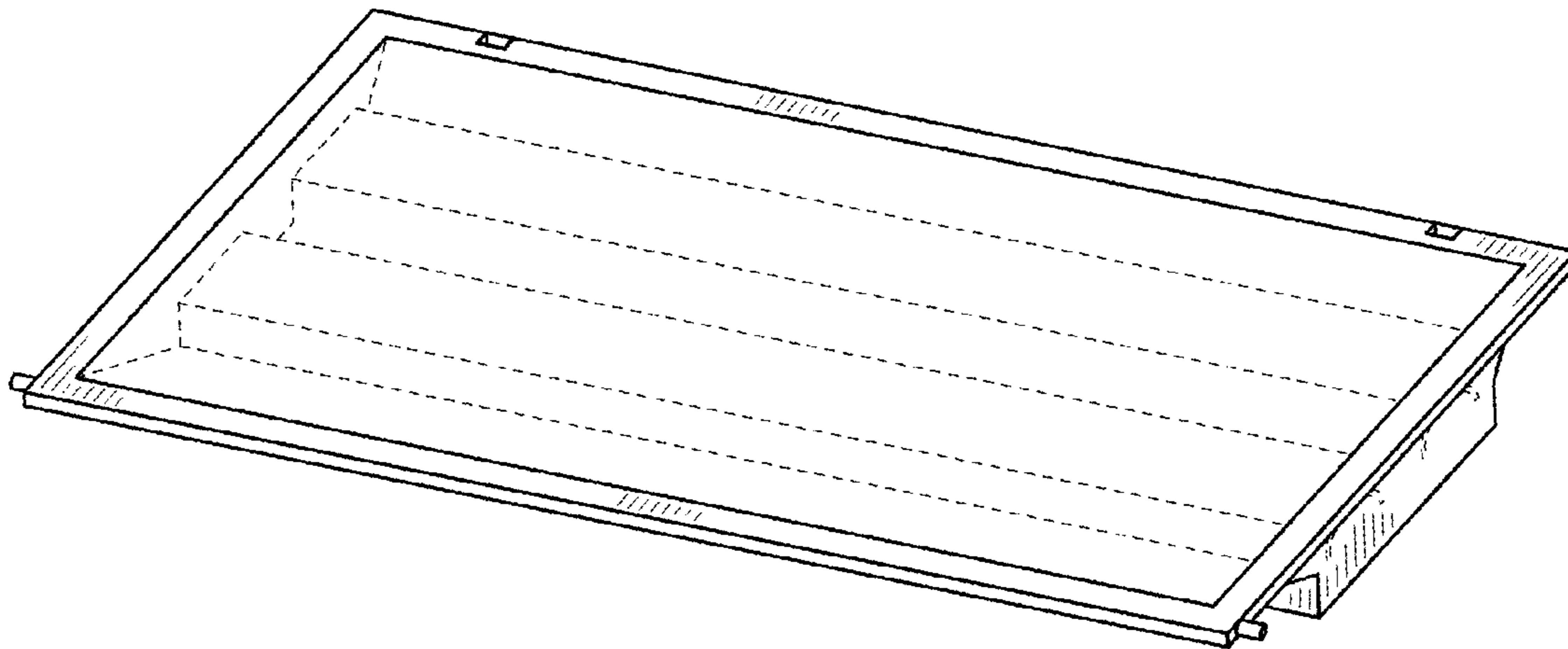
(57) **CLAIM**

The ornamental design for a troffer assembly with cylindrical extensions, as shown and described.

**DESCRIPTION**

FIG. 1 is a perspective view of a troffer assembly with cylindrical extensions showing my new design;  
FIG. 2 is a bottom plan view thereof;  
FIG. 3 is a top plan view thereof;  
FIG. 4 is a side view thereof. The opposite side is a mirror image thereof; and,  
FIG. 5 is a front elevation view thereof. The rear elevation view is a mirror image thereof.  
The broken lines illustrate portions of the device that form no part of the claimed design.

**1 Claim, 3 Drawing Sheets**



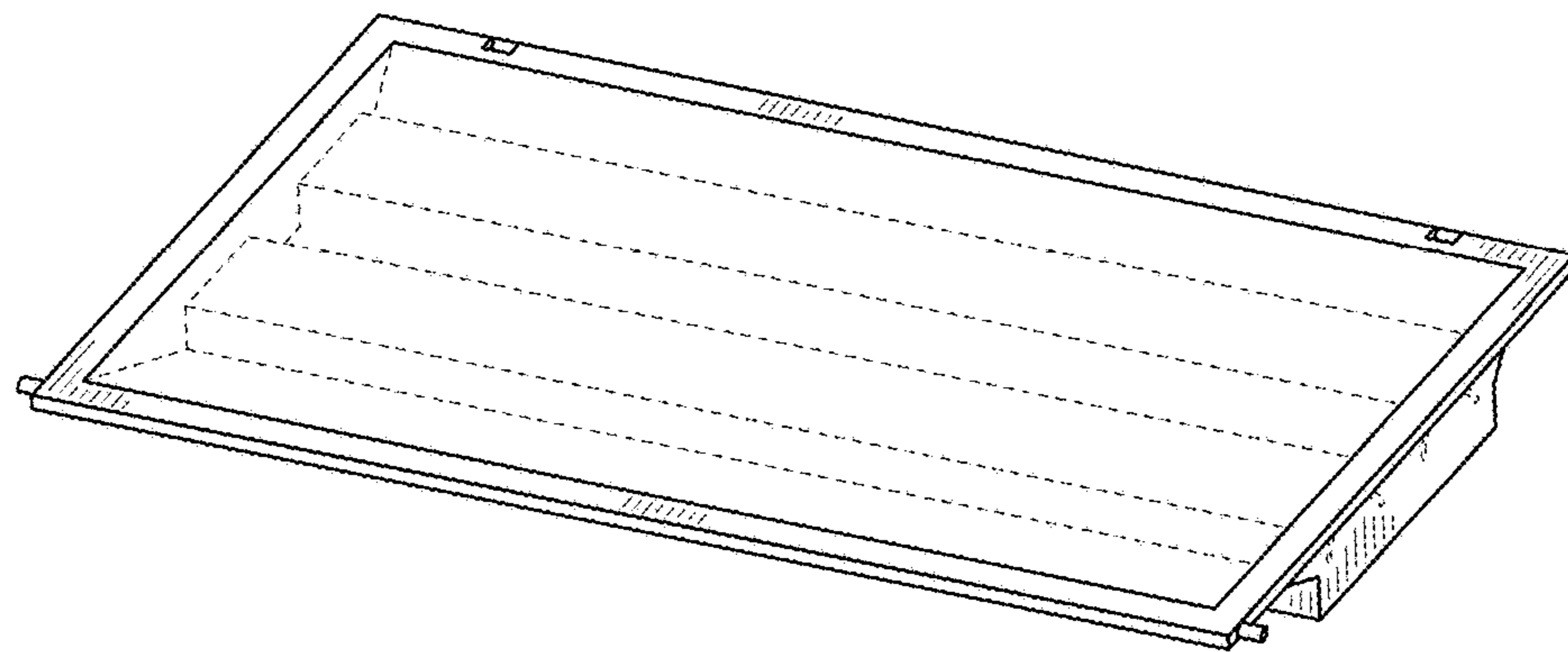


FIG. 1

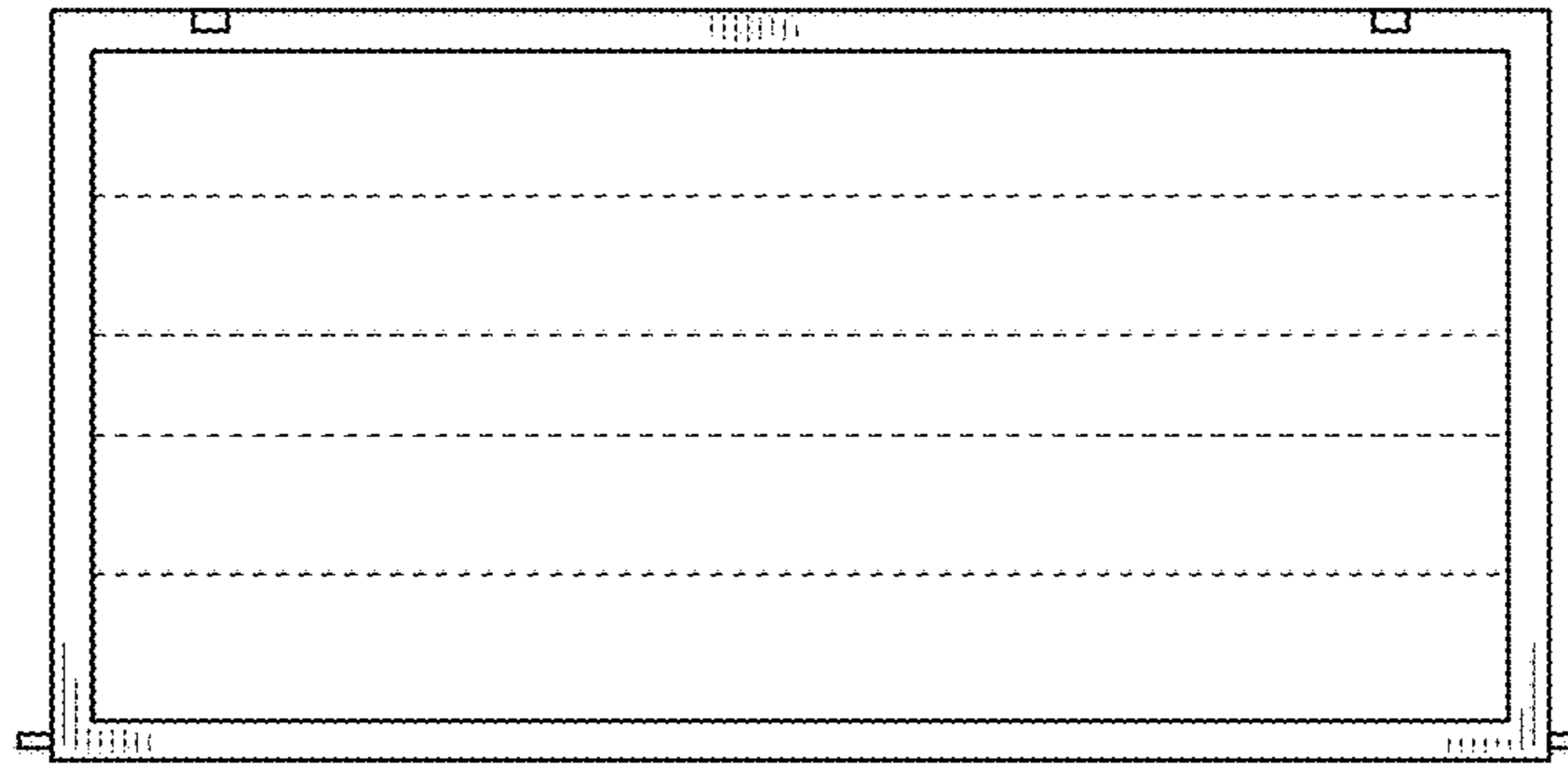


FIG. 2

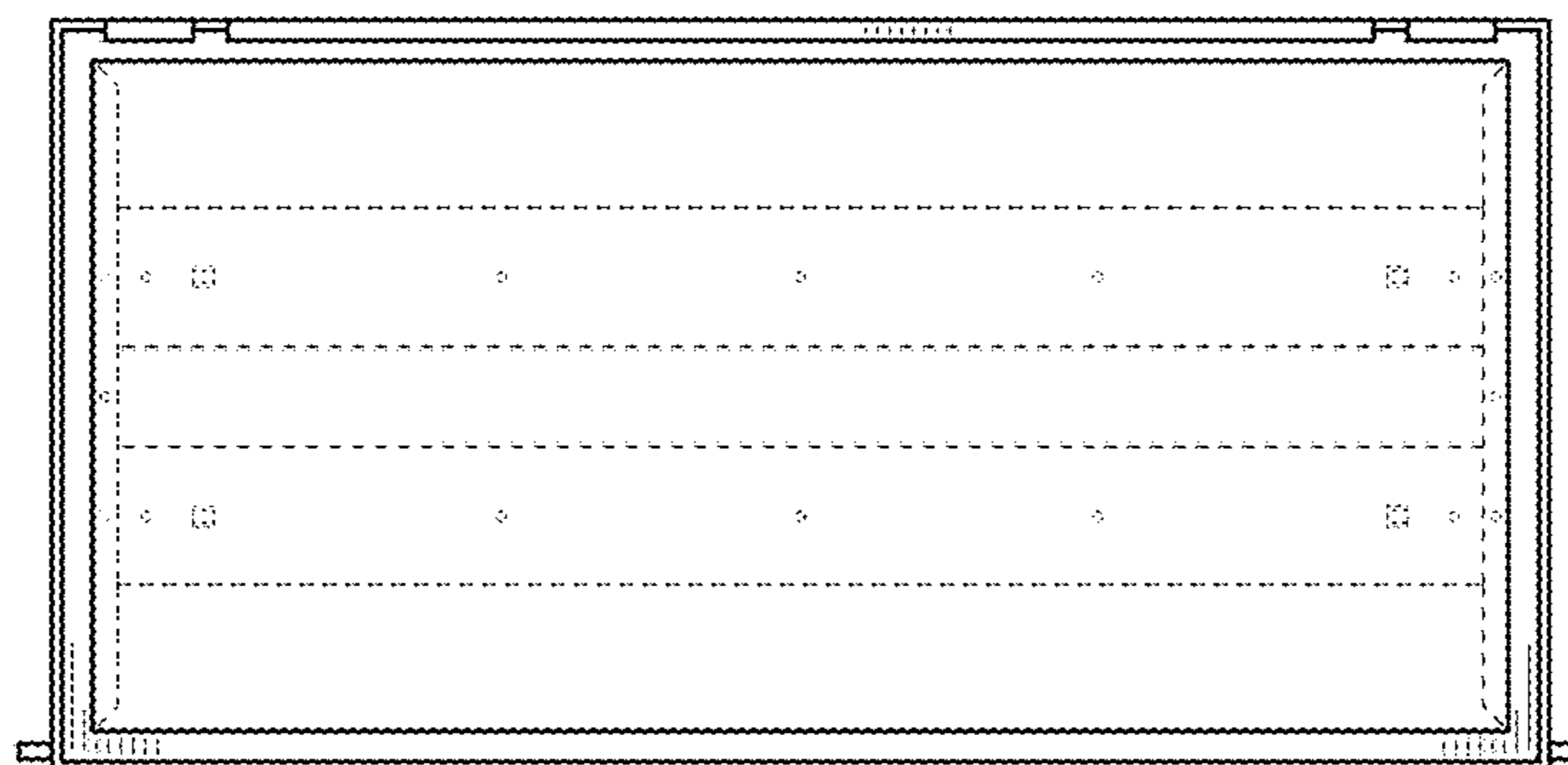


FIG. 3



FIG. 4



FIG. 5