



US00D836826S

(12) **United States Design Patent** (10) **Patent No.:** **US D836,826 S**
Parker (45) **Date of Patent:** **** Dec. 25, 2018**

(54) **GABLE LIGHTING FIXTURE**
(71) Applicant: **Soraa, Inc.**, Fremont, CA (US)
(72) Inventor: **Jeffery Parker**, Fremont, CA (US)
(73) Assignee: **Sorra, Inc.**, Fremont, CA (US)
(**) Term: **15 Years**
(21) Appl. No.: **29/601,871**
(22) Filed: **Apr. 26, 2017**
(51) **LOC (11) Cl.** **26-99**
(52) **U.S. Cl.**
USPC **D26/118**
(58) **Field of Classification Search**
USPC D26/74, 24, 72, 75, 76, 78, 79, 81, 82,
D26/88, 89, 91, 113, 118, 119, 120, 138,
D26/141, 142
CPC F21V 21/04; F21V 21/041; F21V 7/005;
F21Y 2111/002; F21S 8/026; F21S 8/02
See application file for complete search history.

D738,563 S * 9/2015 Martins D26/118
D767,193 S * 9/2016 Jung D26/74
D792,635 S * 7/2017 Reynolds D26/118
D810,998 S * 2/2018 DiFelice D26/118
D815,332 S * 4/2018 Santoro D26/118

* cited by examiner

Primary Examiner — Brian N. Vinson
(74) *Attorney, Agent, or Firm* — FisherBroyles LLP

(57) **CLAIM**

The ornamental design for gable lighting fixture, as shown and described.

DESCRIPTION

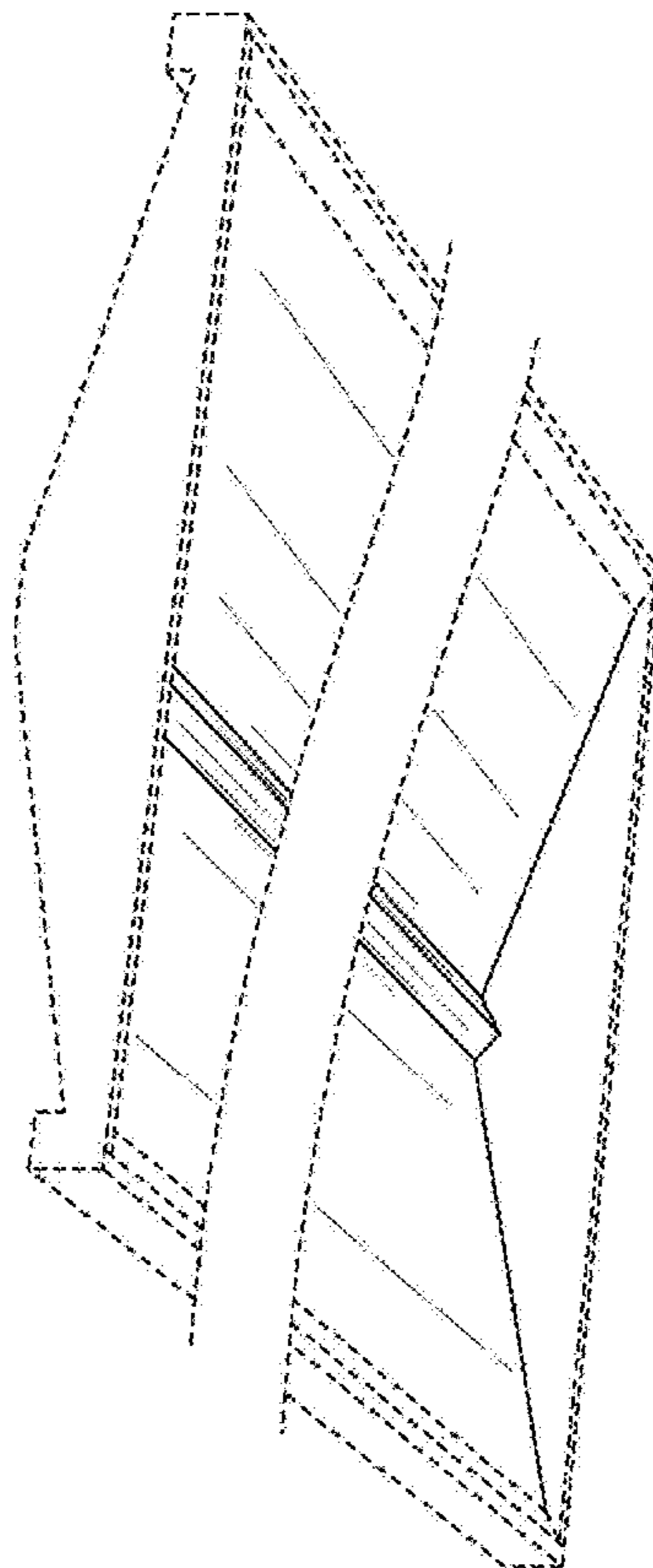
FIG. 1 is a perspective view of a gable lighting fixture showing our new design;
FIG. 2 is a top plan view thereof;
FIG. 3 is a bottom plan view thereof;
FIG. 4 is an end side elevational view from the left end thereof, the opposite right side end being a mirror image thereof; and,
FIG. 5 is a front side view thereof, the opposite rear side being a mirror image thereof.
The broken lines in the figures represent unclaimed subject matter and form no part of the claimed design. The fixture is shown broken away. The area between the lines that indicated the fixture is broken away form no part of the claimed design.

(56) **References Cited**

U.S. PATENT DOCUMENTS

4,669,033 A * 5/1987 Lee F21S 8/00
362/217.07
D653,376 S * 1/2012 Kong D26/72

1 Claim, 4 Drawing Sheets



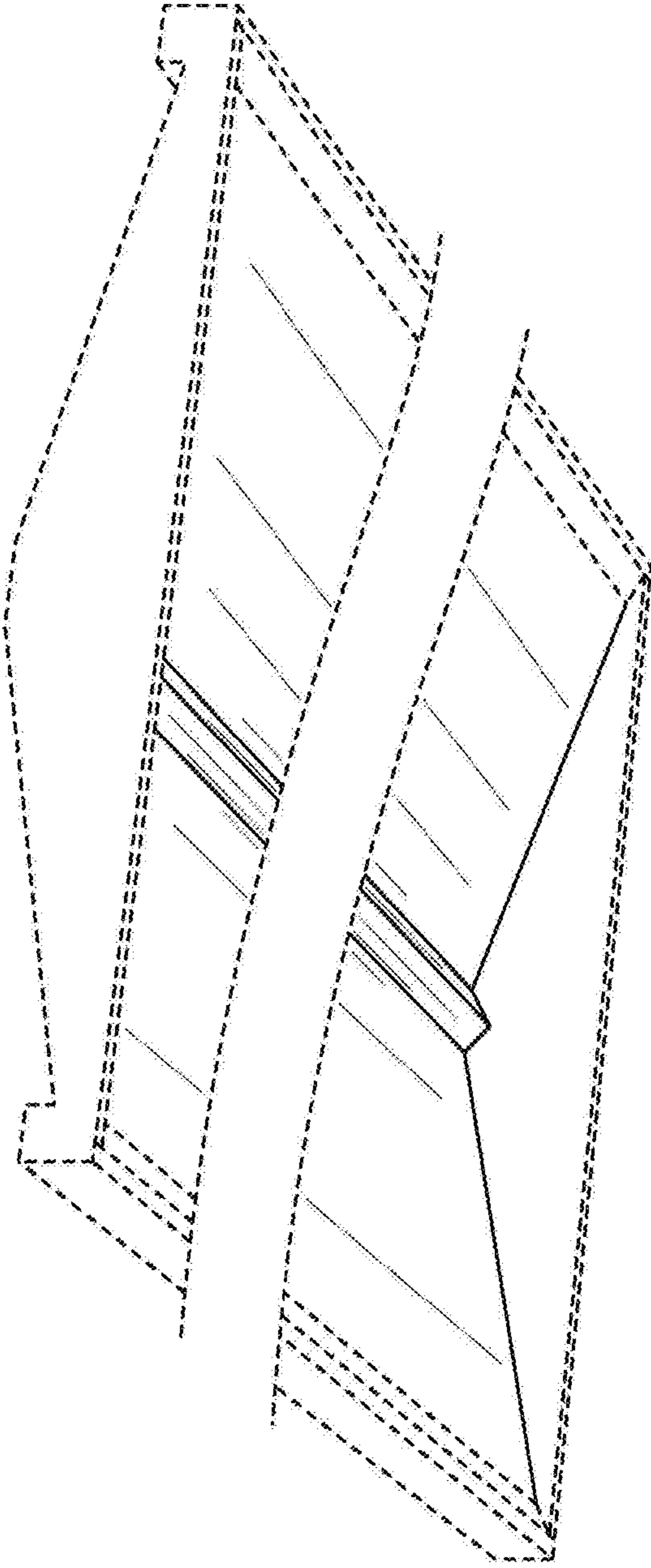


Figure 1

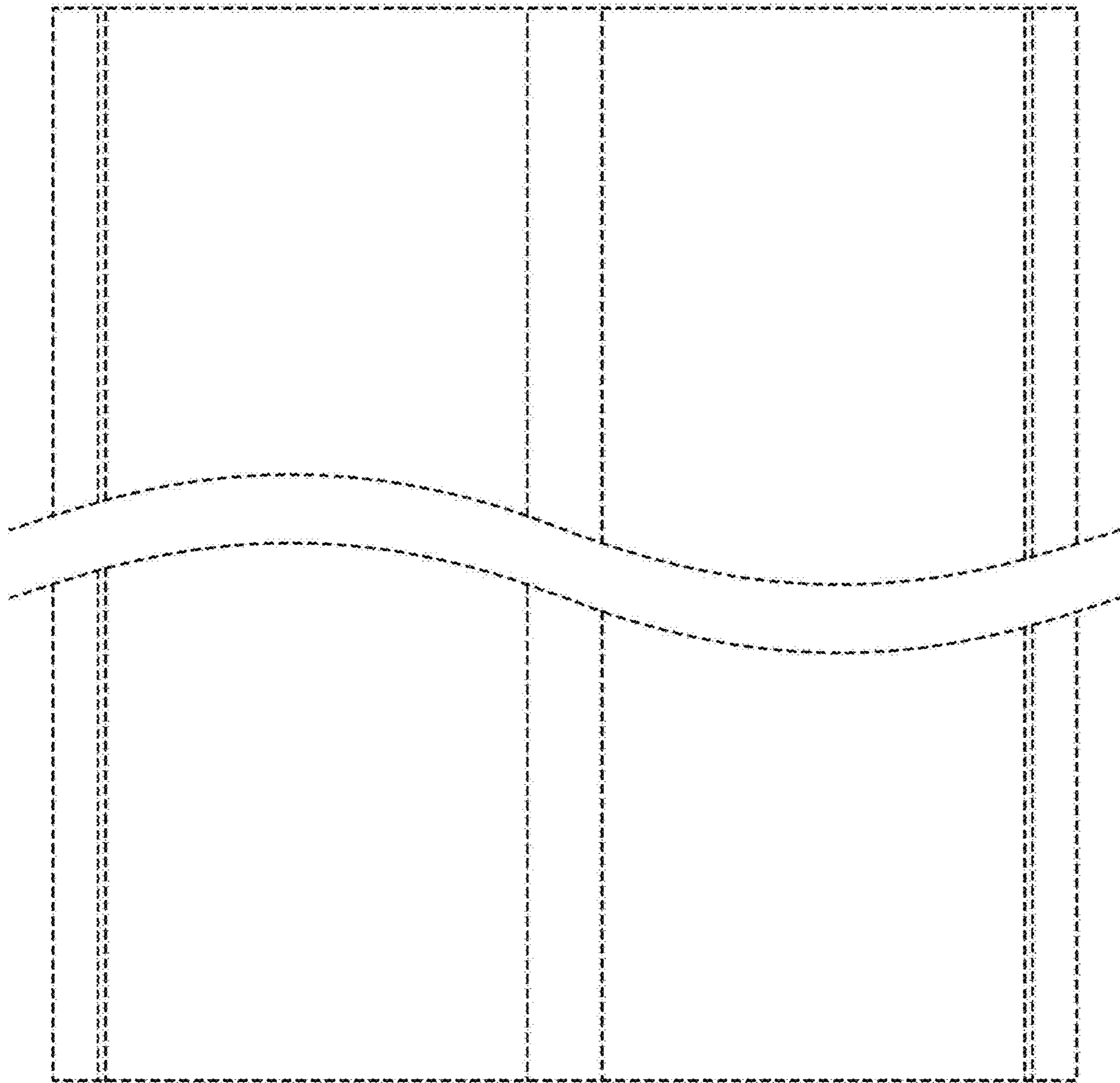


Figure 2

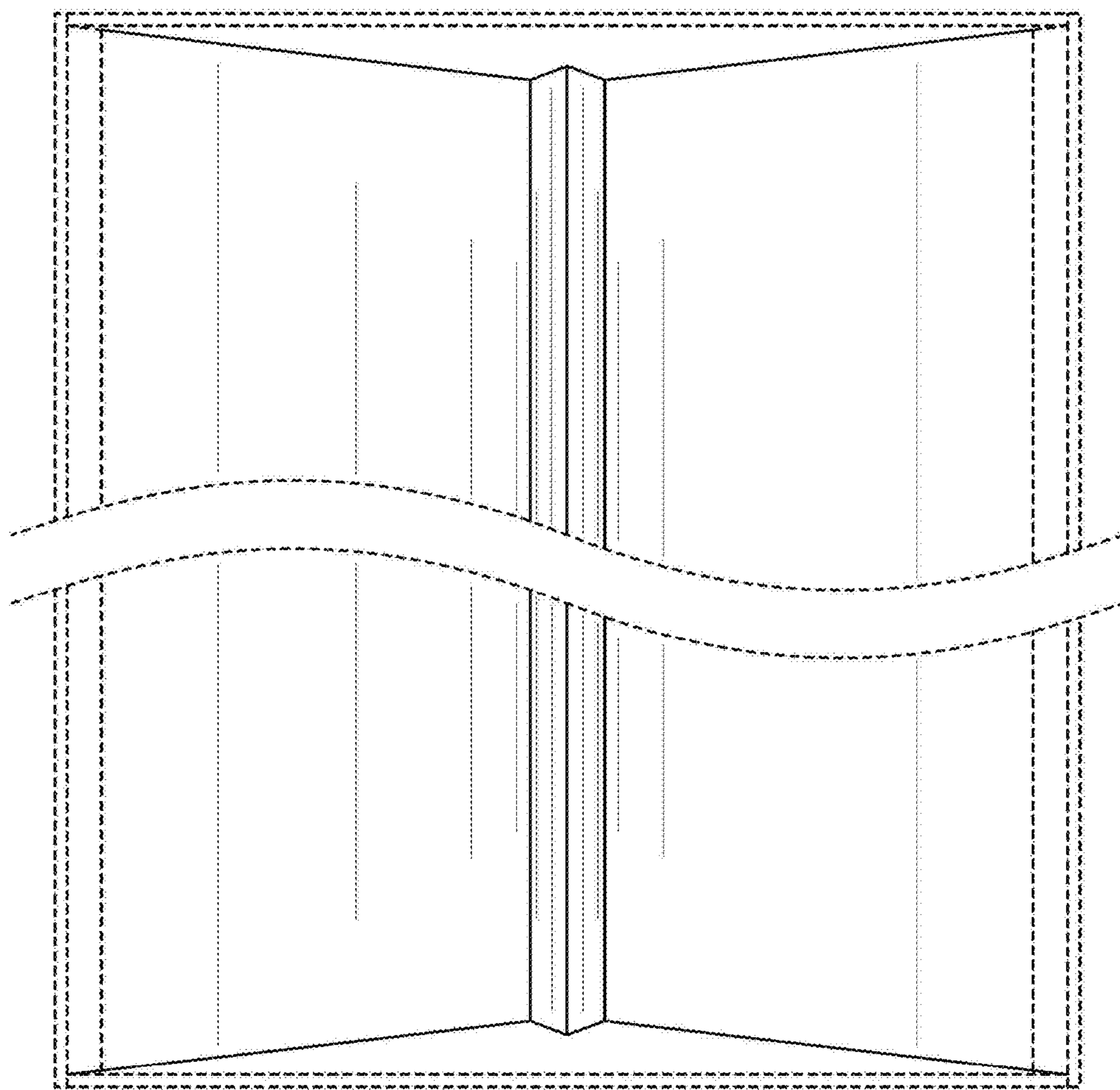


Figure 3



Figure 4

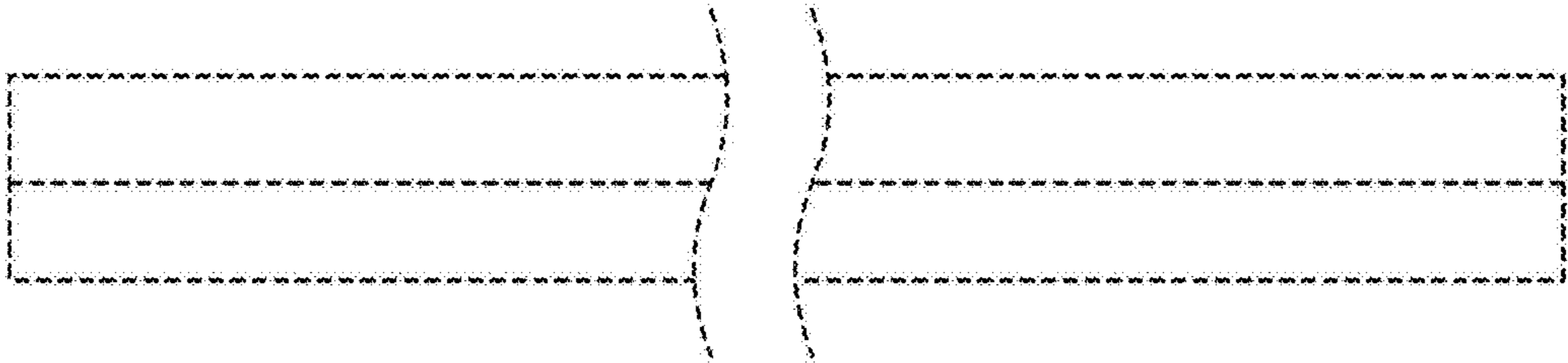


Figure 5