



US00D836819S

(12) **United States Design Patent**  
**Amato et al.**

(10) **Patent No.:** **US D836,819 S**

(45) **Date of Patent:** **\*\* Dec. 25, 2018**

(54) **LIGHTING FIXTURE**

(71) Applicant: **The Urban Electric Company**, North Charleston, SC (US)

(72) Inventors: **Michael Amato**, Johns Island, SC (US); **David Dawson**, Charleston, SC (US); **Jonathan Charpia**, Summerville, SC (US); **Christopher Roof**, Charleston, SC (US); **Joeangel Casanova**, North Charleston, SC (US); **Brianna Magagnoli**, North Charleston, SC (US); **Janis Golubeckis**, Mount Pleasant, SC (US)

(73) Assignee: **The Urban Electric Company**, North Charleston, SC (US)

(\*\*) Term: **15 Years**

(21) Appl. No.: **29/630,223**

(22) Filed: **Dec. 20, 2017**

(51) **LOC (11) Cl.** ..... **26-83**

(52) **U.S. Cl.**  
USPC ..... **D26/85**

(58) **Field of Classification Search**  
USPC ..... D26/26, 67, 72, 85, 86, 87, 92  
CPC .... F21S 8/03; F21S 8/033; F21S 8/035; F21S 8/036; F21S 8/037; F21S 8/081; F21S 8/088  
See application file for complete search history.

(56) **References Cited**

**U.S. PATENT DOCUMENTS**

D63,532 S \* 12/1923 Warman ..... D26/85  
D64,114 S \* 3/1924 Gruber ..... D26/85  
D64,115 S \* 3/1924 Gruber ..... D26/85  
D69,708 S \* 3/1926 Klein ..... D26/85

D197,530 S \* 2/1964 Jaffe, Jr. .... D26/85  
3,321,619 A \* 5/1967 Dailey ..... F21S 8/088  
362/367  
3,366,785 A \* 1/1968 Huber, Jr. .... F21S 8/088  
362/310  
D244,310 S \* 5/1977 Dunning ..... D26/85  
4,104,712 A \* 8/1978 Hafner ..... F21S 8/088  
362/218  
D271,044 S \* 10/1983 Muller ..... D26/85  
D333,189 S \* 2/1993 Hall ..... D26/67  
D454,652 S \* 3/2002 Crelin ..... D26/85  
D457,979 S \* 5/2002 Chen ..... D26/72  
D694,932 S \* 12/2013 Meyer ..... D26/67  
D713,587 S \* 9/2014 Clark ..... D26/85

\* cited by examiner

*Primary Examiner* — Clare E Heflin

(74) *Attorney, Agent, or Firm* — Jeffrey T. Stover; Haynsworth Sinkler Boyd, P.A.

(57) **CLAIM**

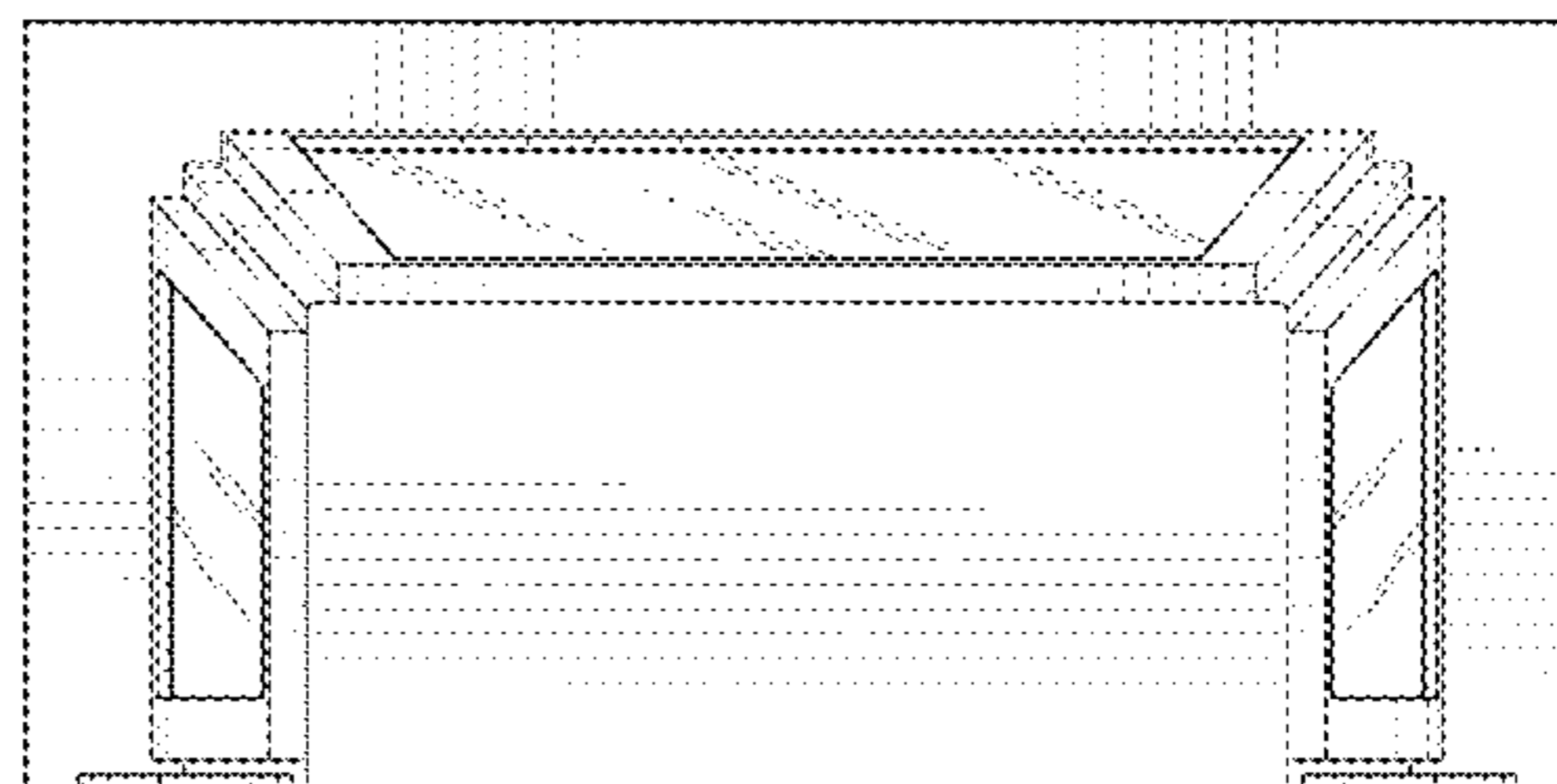
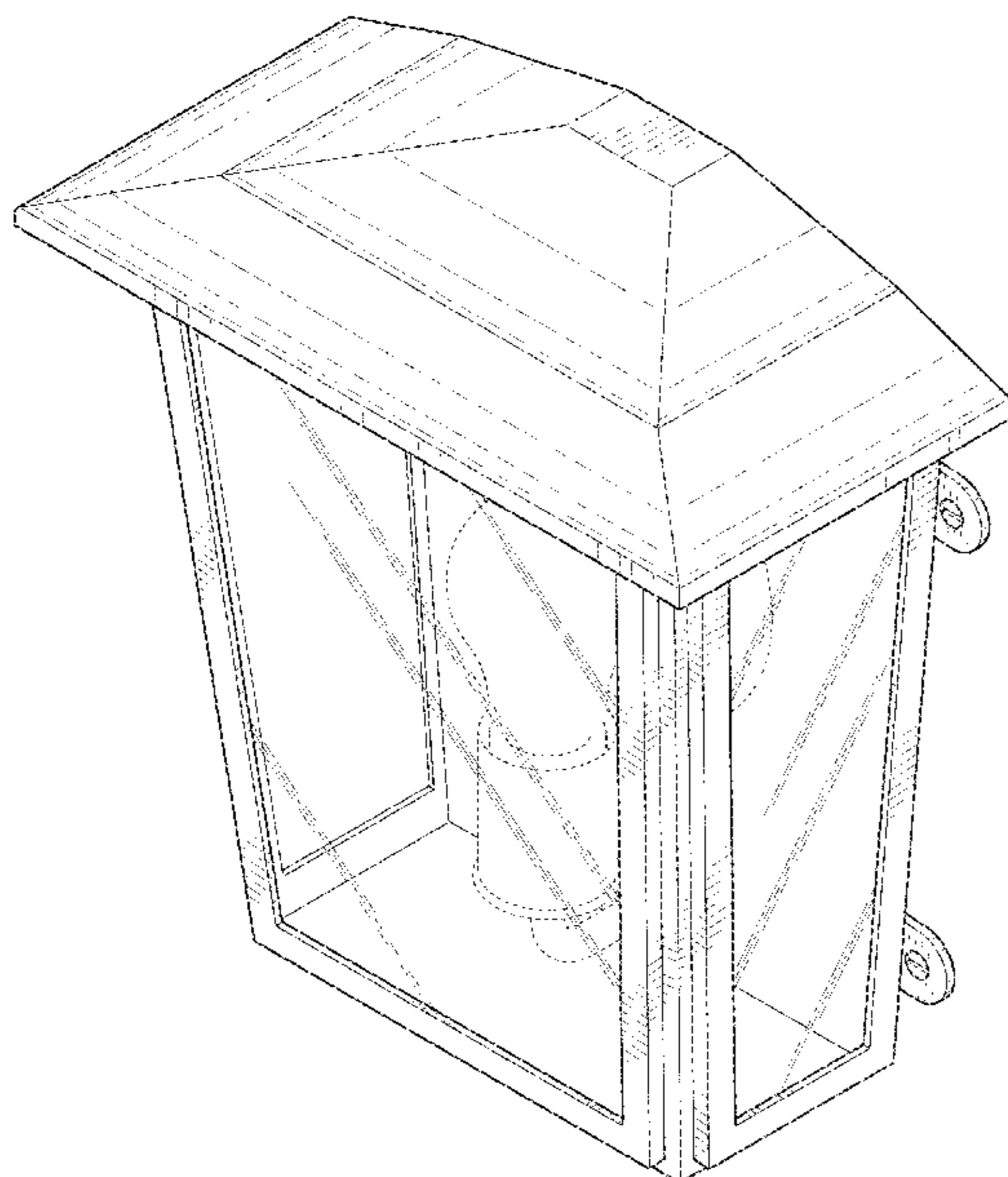
The ornamental design for a lighting fixture, as shown and described.

**DESCRIPTION**

FIG. 1 is a front perspective view of a new lighting fixture; FIG. 2 is a back perspective view thereof; FIG. 3 is a front elevational view thereof; FIG. 4 is a left elevational view thereof; FIG. 5 is a right elevational view thereof; FIG. 6 is a top plan view thereof; FIG. 7 is a bottom plan view thereof; and, FIG. 8 is a back elevational view thereof.

The broken line disclosure in the views represents portions of the lighting fixture that form no part of the claimed design. The broken-line extending out beyond the perimeter of the back surface of the fixture in FIGS. 4-7 is intended to demonstrate environment only and forms no part of the claimed design.

**1 Claim, 8 Drawing Sheets**



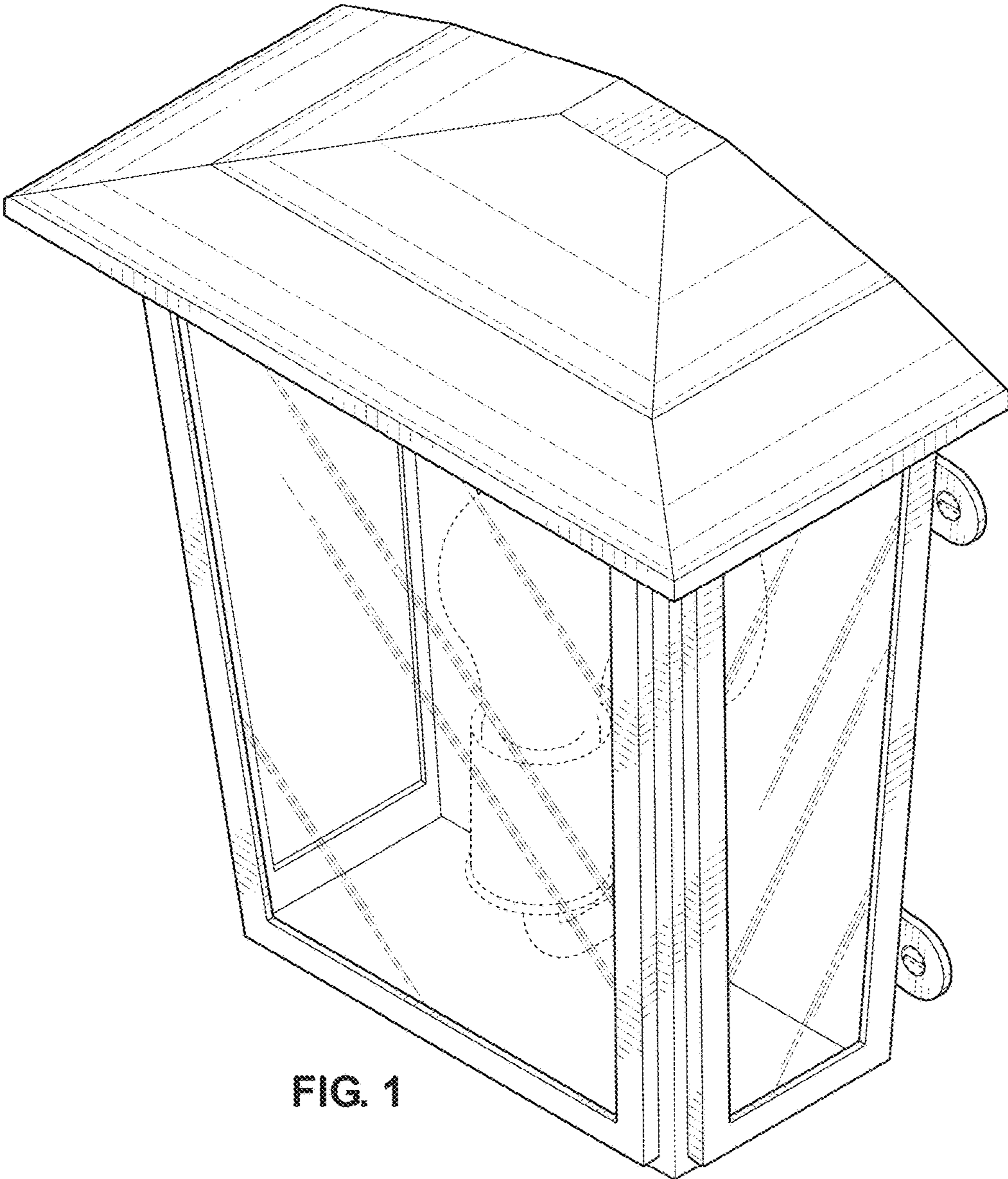


FIG. 1

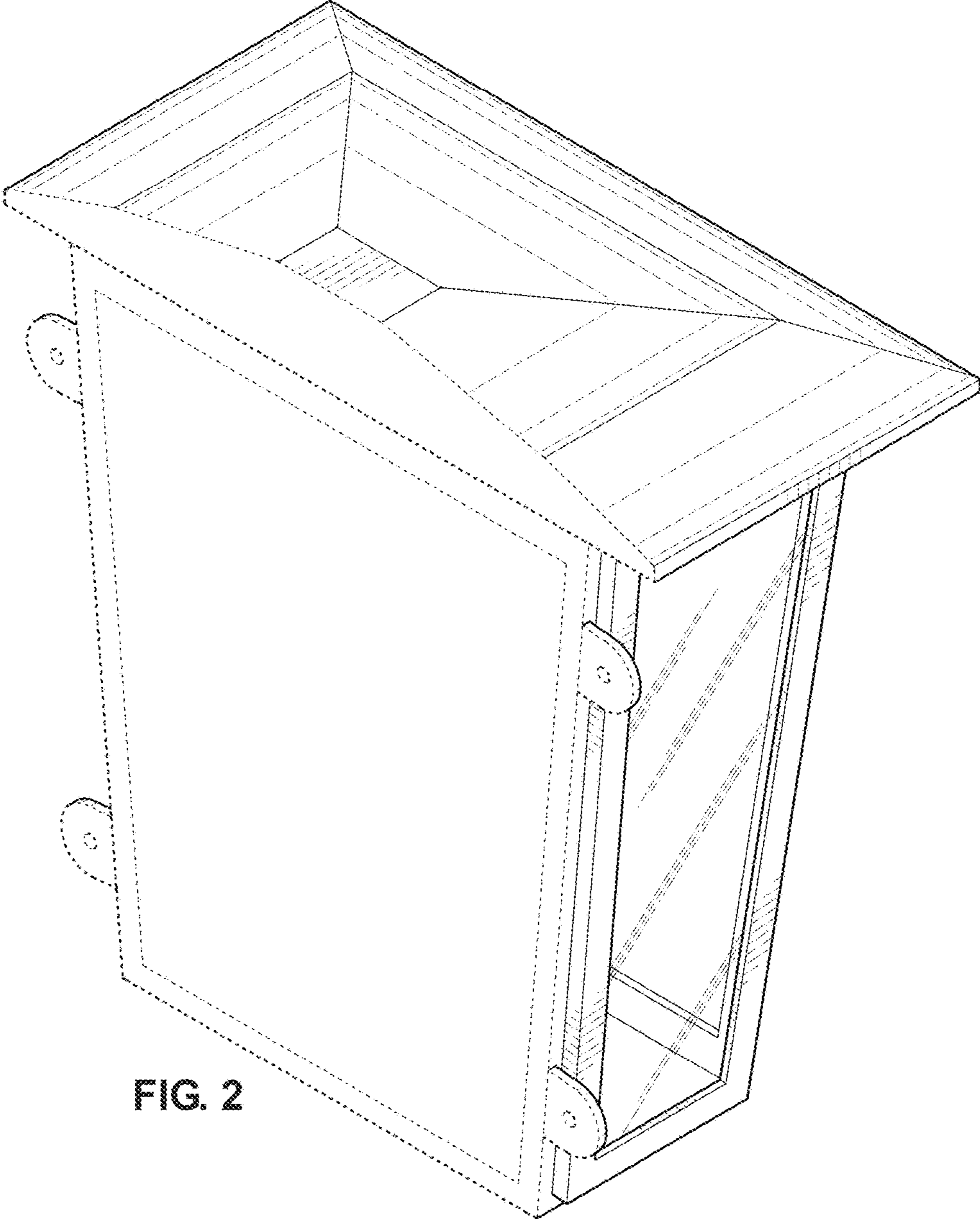


FIG. 2

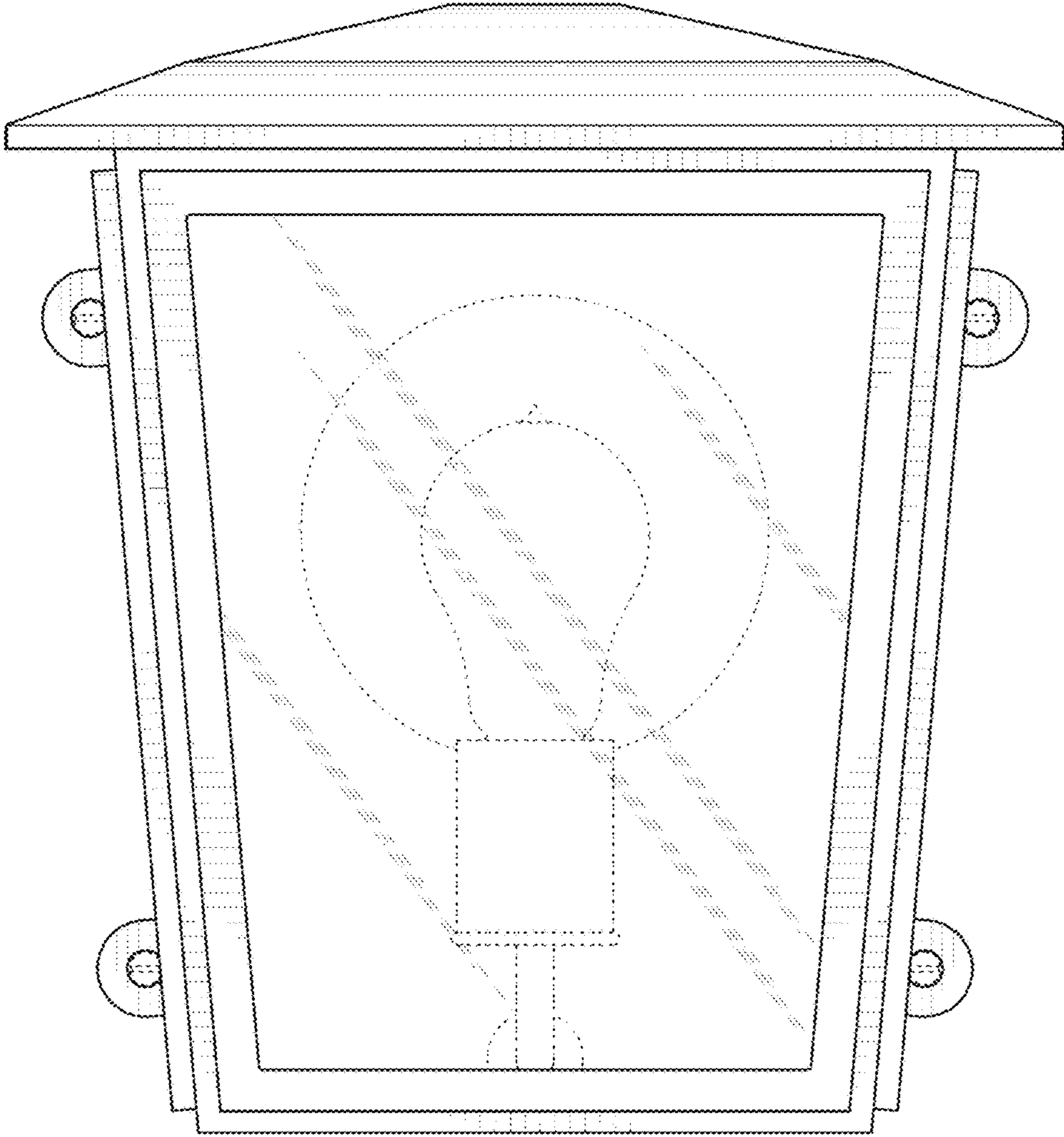


FIG. 3

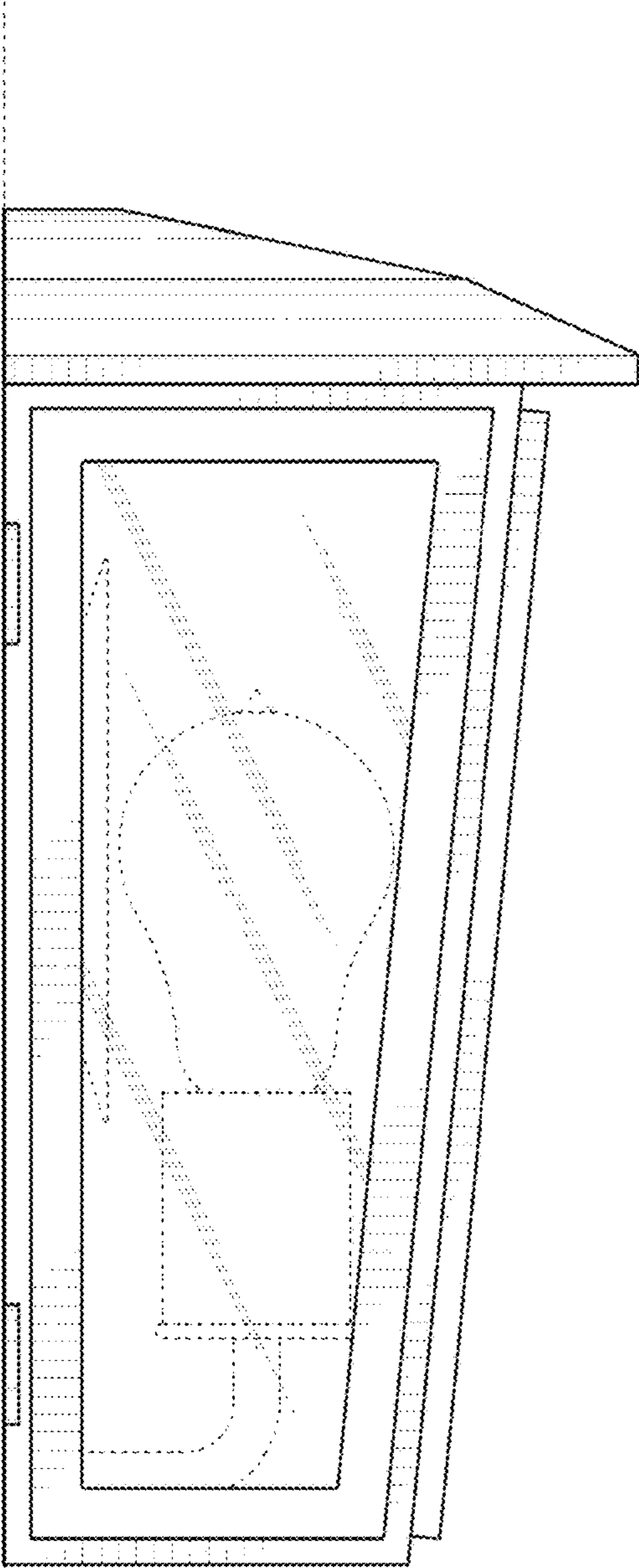


FIG. 4

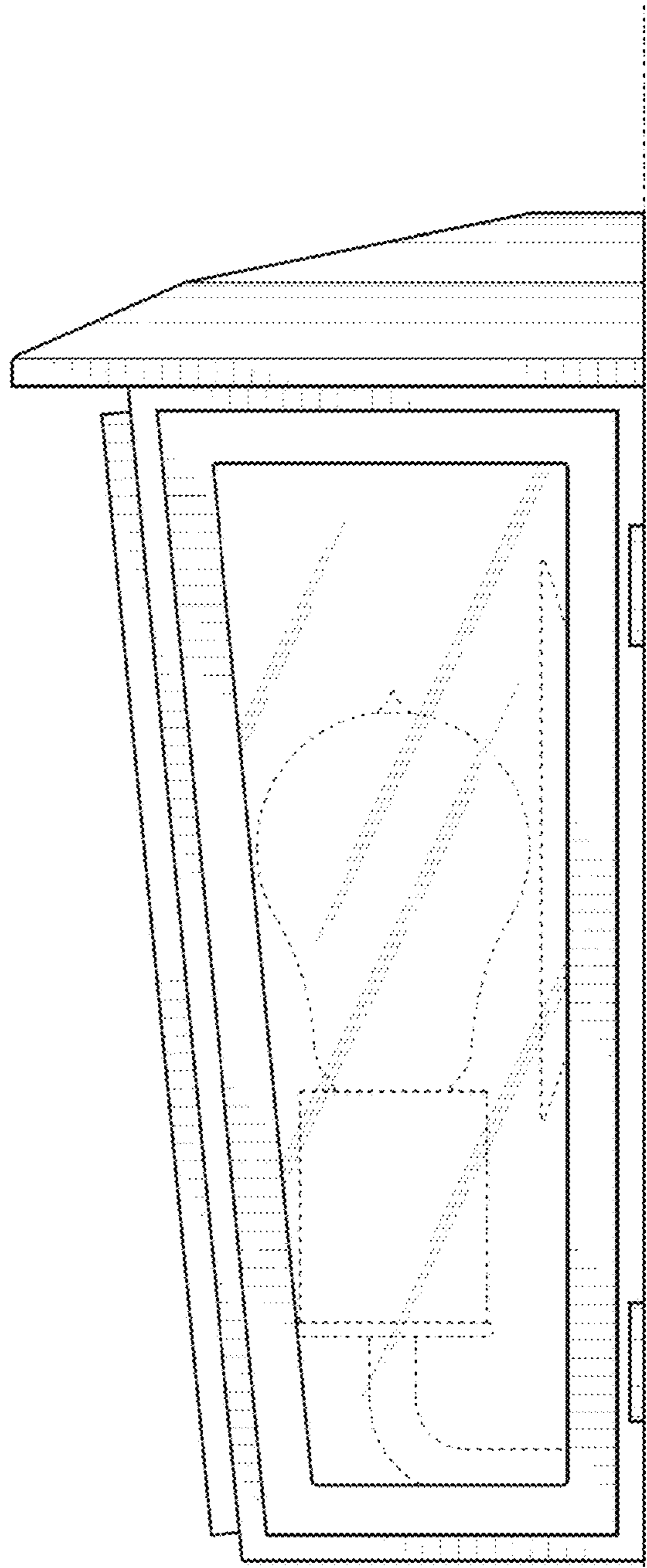


FIG. 5

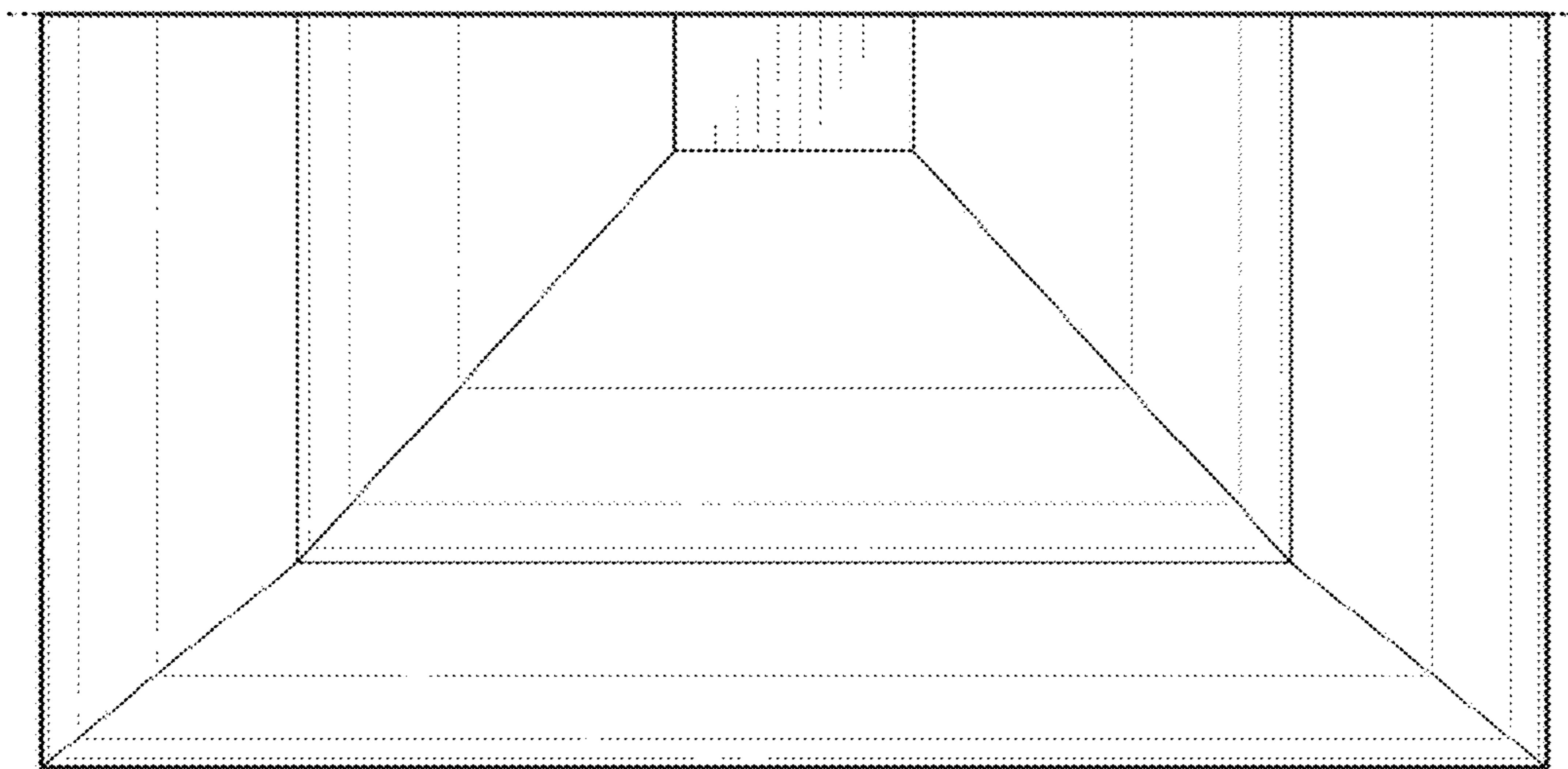


FIG. 6

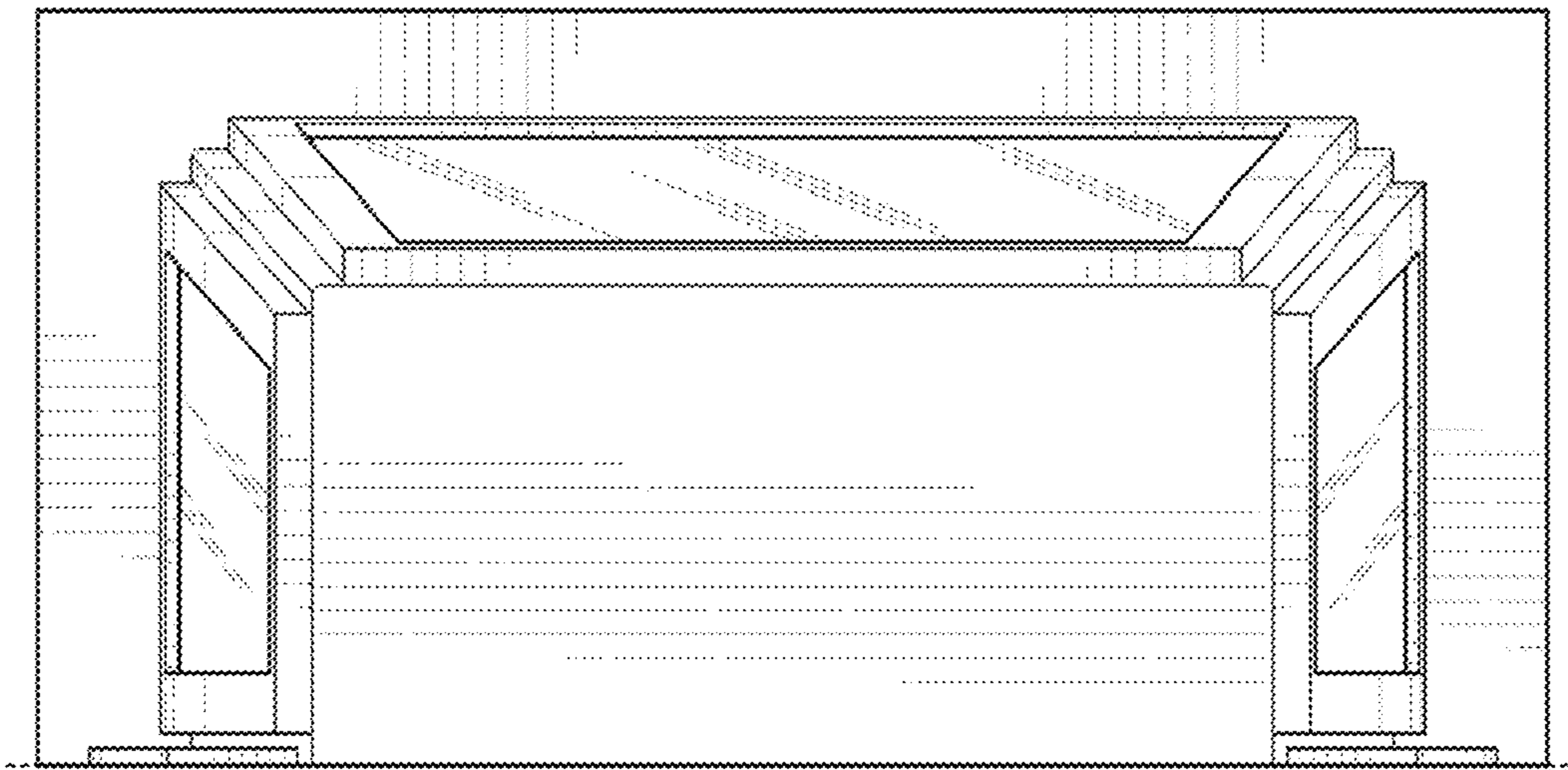


FIG. 7



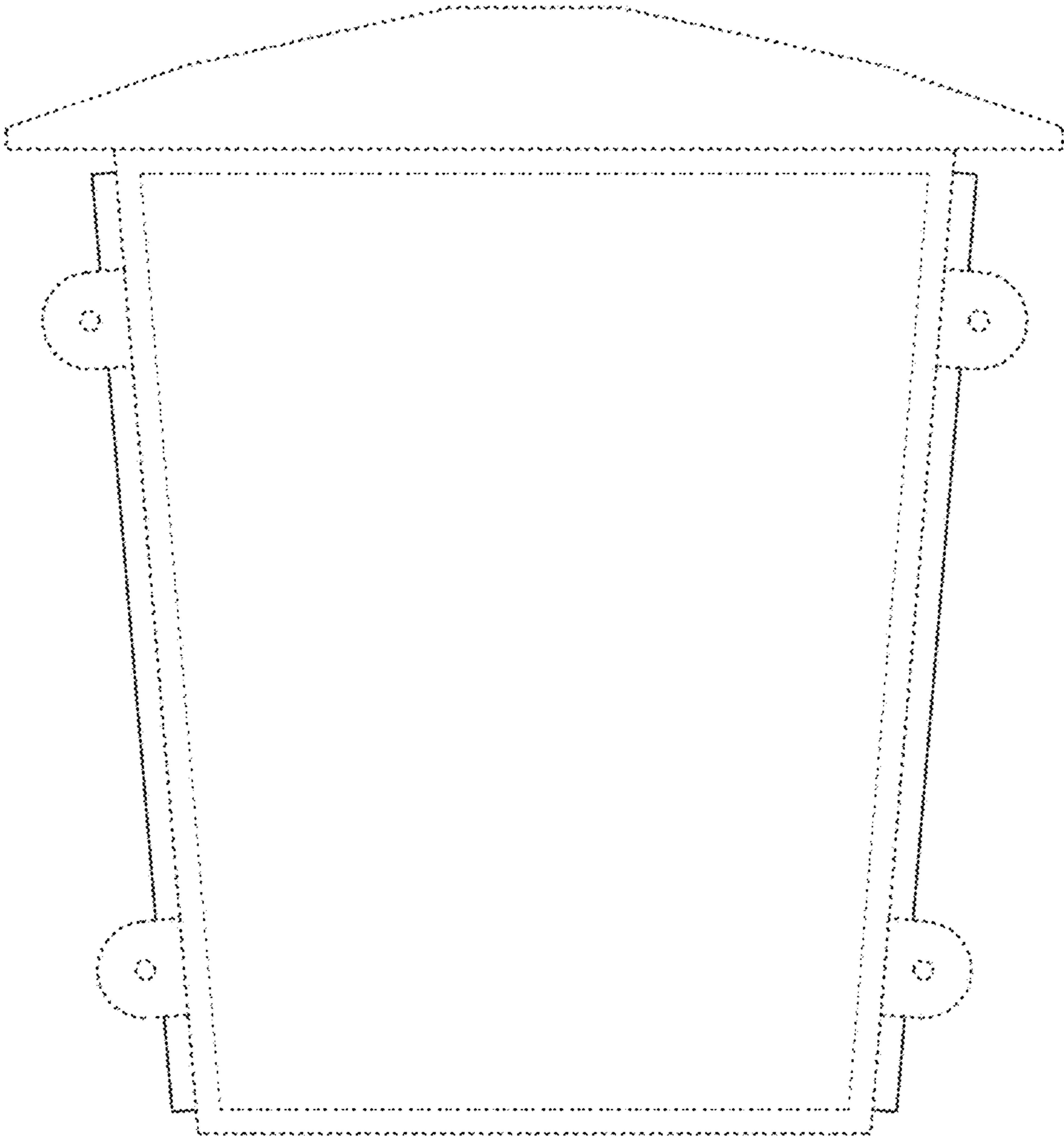


FIG. 8