



US00D836818S

(12) **United States Design Patent**
Amato et al.

(10) **Patent No.:** **US D836,818 S**
(45) **Date of Patent:** **** Dec. 25, 2018**

(54) **LIGHTING FIXTURE**

(71) Applicant: **The Urban Electric Company**, North Charleston, SC (US)
(72) Inventors: **Michael Amato**, Johns Island, SC (US); **David Dawson**, Charleston, SC (US); **Jonathan Charpia**, Summerville, SC (US); **Christopher Roof**, Charleston, SC (US); **Joeangel Casanova**, North Charleston, SC (US); **Brianna Magagnoli**, North Charleston, SC (US); **Janis Golubeckis**, Mount Pleasant, SC (US)

(73) Assignee: **The Urban Electric Company**, North Charleston, SC (US)

(**) Term: **15 Years**

(21) Appl. No.: **29/626,738**

(22) Filed: **Nov. 20, 2017**

(51) **LOC (11) Cl.** **26-03**

(52) **U.S. Cl.**
USPC **D26/85**

(58) **Field of Classification Search**
USPC D26/67, 72, 85, 86, 87, 92
CPC F21S 8/03; F21S 8/033; F21S 8/035; F21S 8/036; F21S 8/037; F21S 8/081; F21S 8/088

See application file for complete search history.

(56) **References Cited**

U.S. PATENT DOCUMENTS

D378,436 S * 3/1997 Tognu' D26/85
D438,324 S * 2/2001 Pham D26/72

D442,729 S * 5/2001 Ruggles D26/87
D526,081 S * 8/2006 Wen D26/67
D639,995 S * 6/2011 Compton D26/85
D695,444 S * 12/2013 Yang D26/104
D746,503 S * 12/2015 Skira D26/85
D747,531 S * 1/2016 Skira D26/85
D764,093 S * 8/2016 Sabernig D26/85
D779,103 S * 2/2017 Amato D26/85
9,927,301 B2 * 3/2018 Peterson G01J 5/0022
D816,880 S * 5/2018 Mou D26/85

* cited by examiner

Primary Examiner — Clare E Heflin

(74) *Attorney, Agent, or Firm* — Jeffrey T. Stover; Haynsworth Sinkler Boyd, P.A.

(57) **CLAIM**

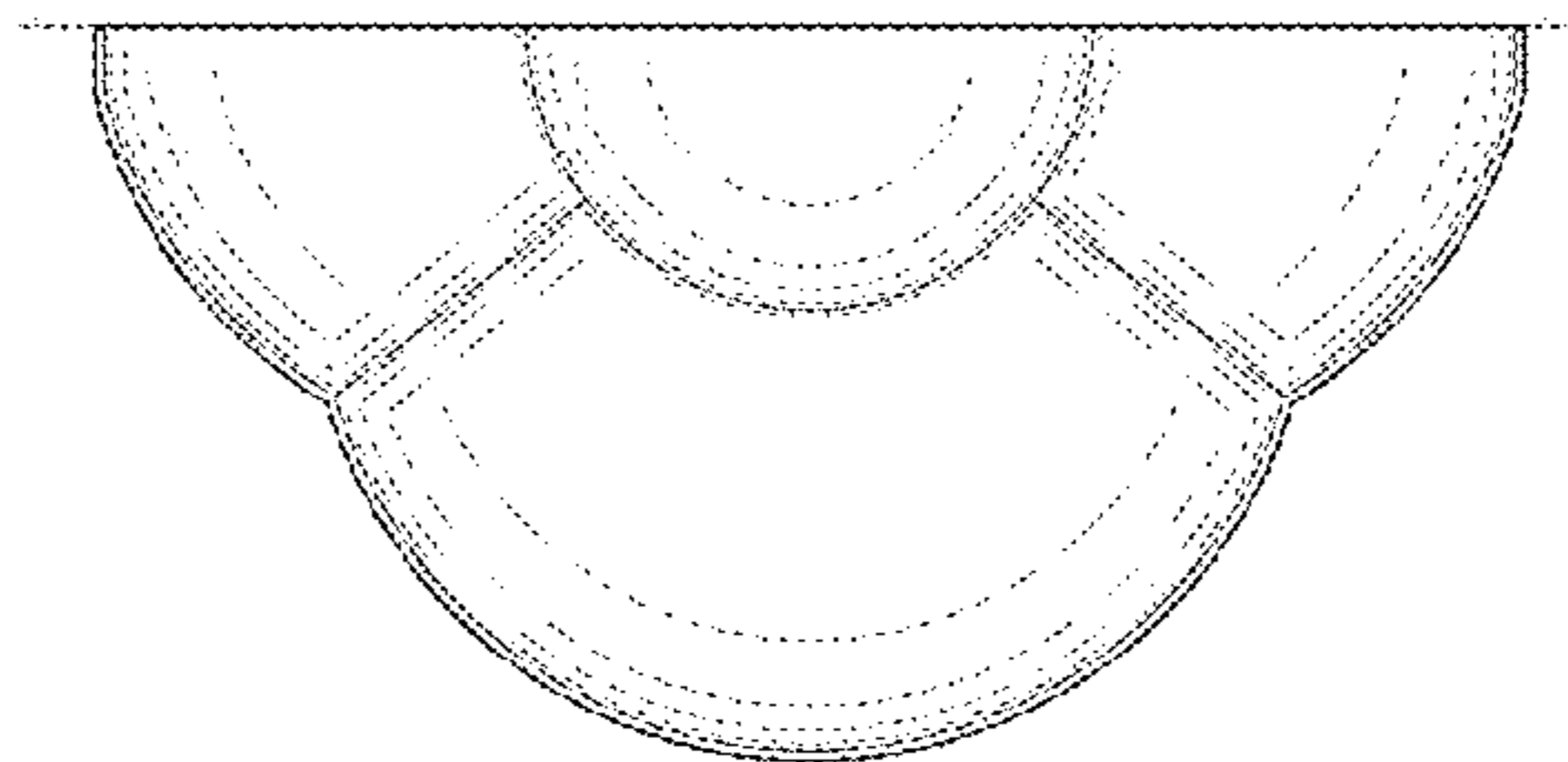
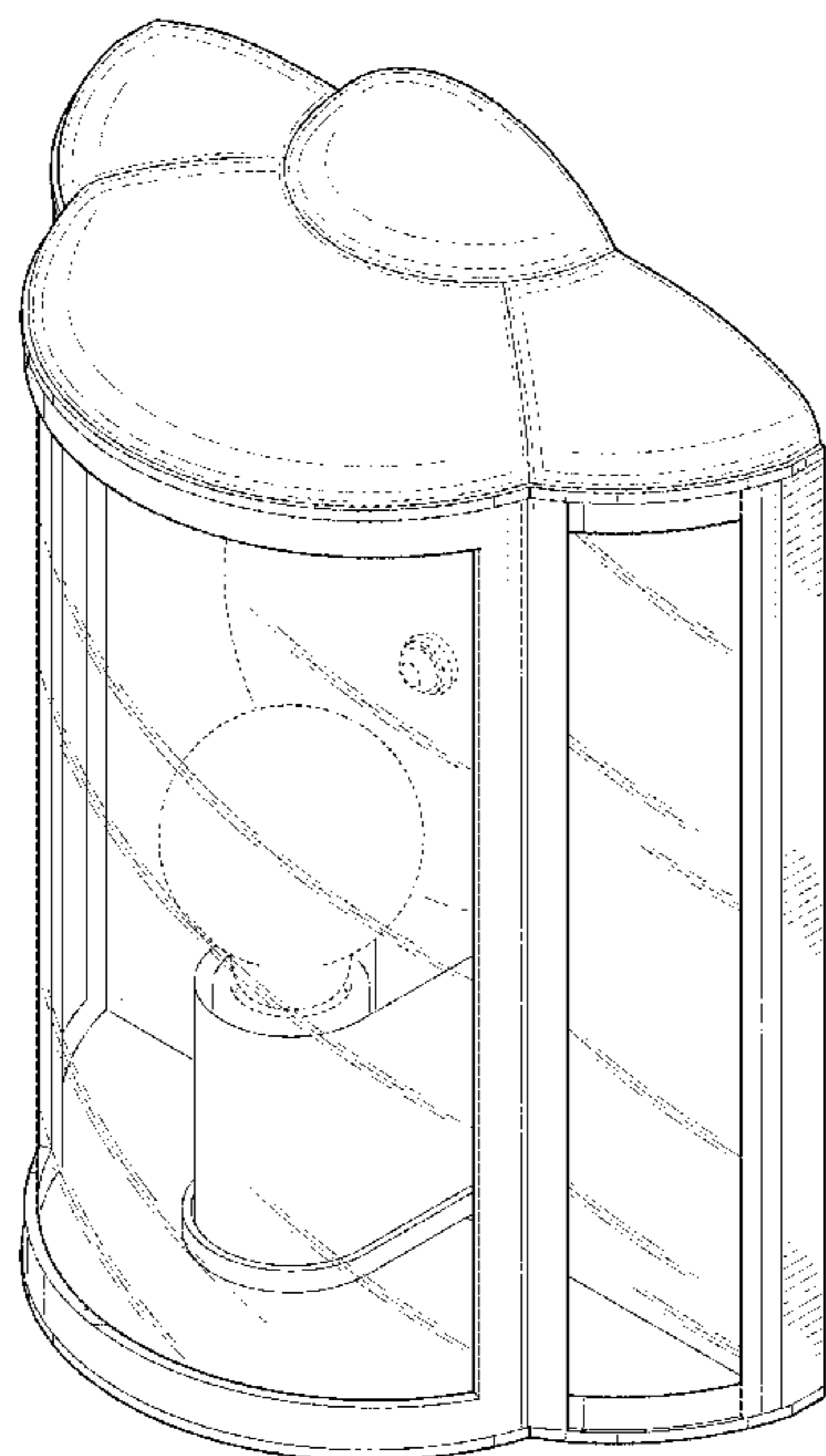
The ornamental design for a lighting fixture, as shown and described.

DESCRIPTION

FIG. 1 is a front perspective view of a new lighting fixture; FIG. 2 is a back perspective view thereof; FIG. 3 is a front elevation view thereof; FIG. 4 is a back elevation view thereof; FIG. 5 is a left elevational view thereof; FIG. 6 is a right elevation view thereof; FIG. 7 is a top plan view thereof; and, FIG. 8 is a bottom plan view thereof.

The broken line disclosure in the views represents portions of the fixture that form no part of the claimed design. The broken-line extending out beyond the perimeter of the back surface of the fixture in FIGS. 5-8 is intended to demonstrate environment only and forms no part of the claimed design.

1 Claim, 8 Drawing Sheets



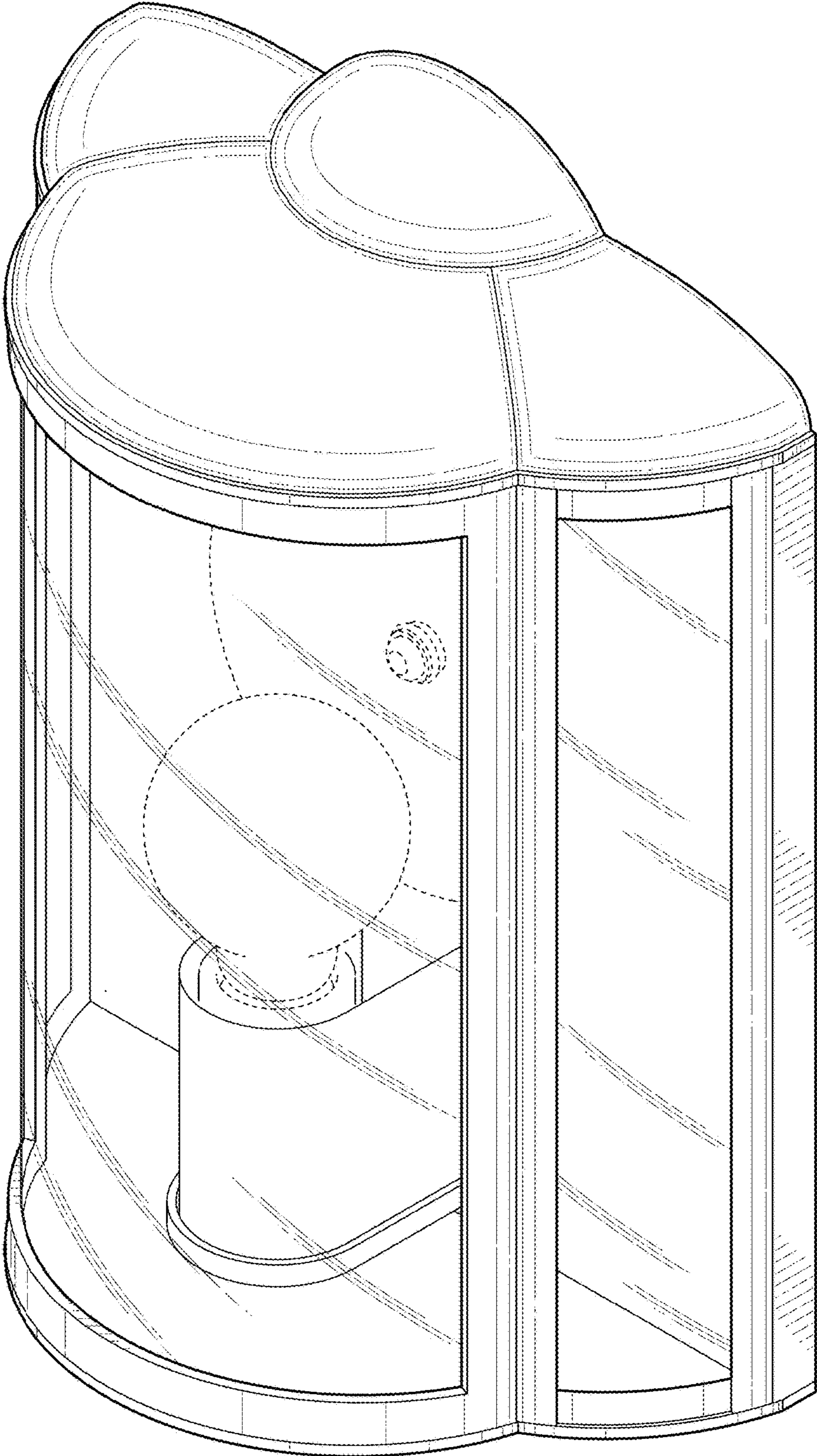


FIG. 1

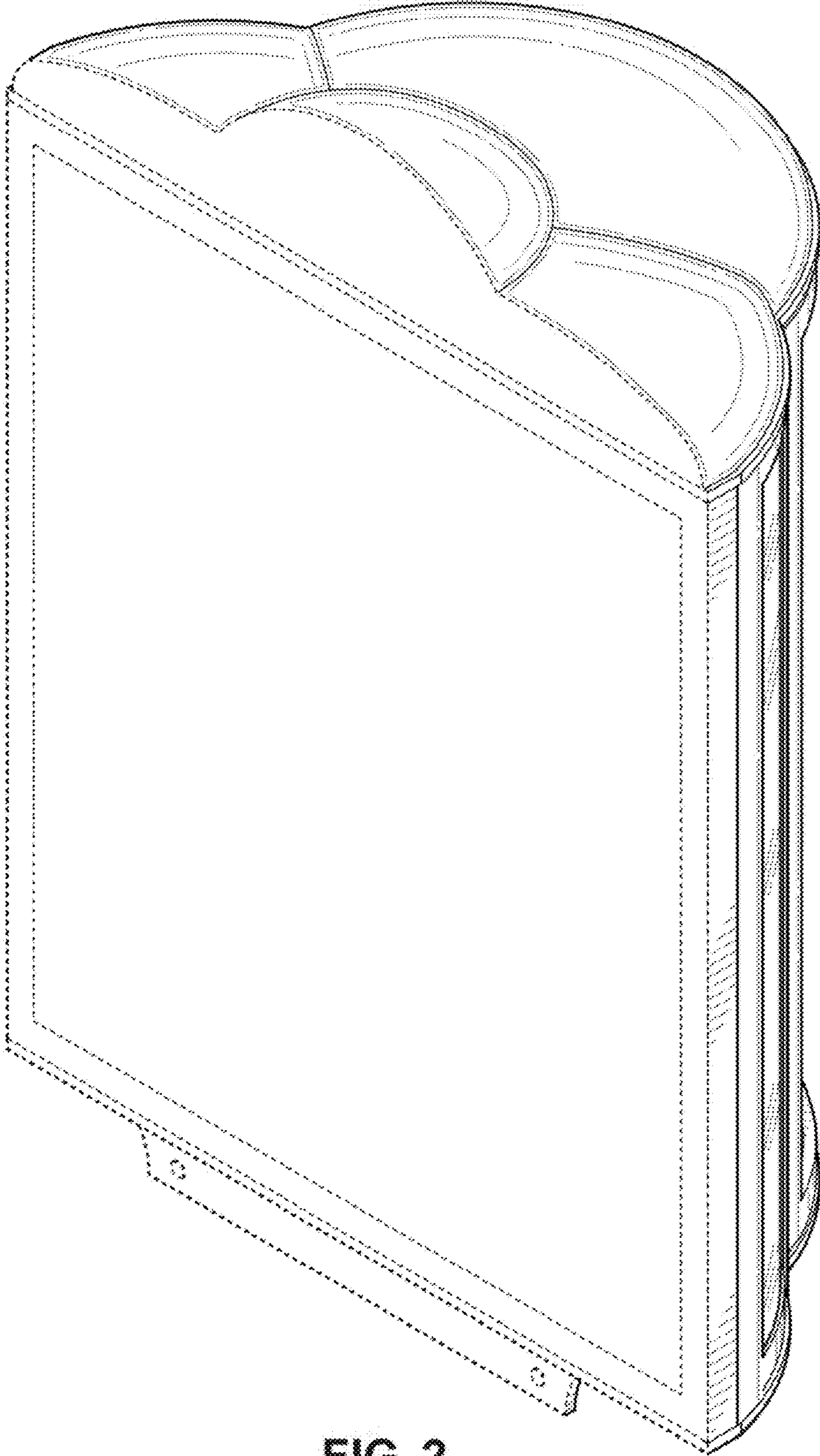


FIG. 2

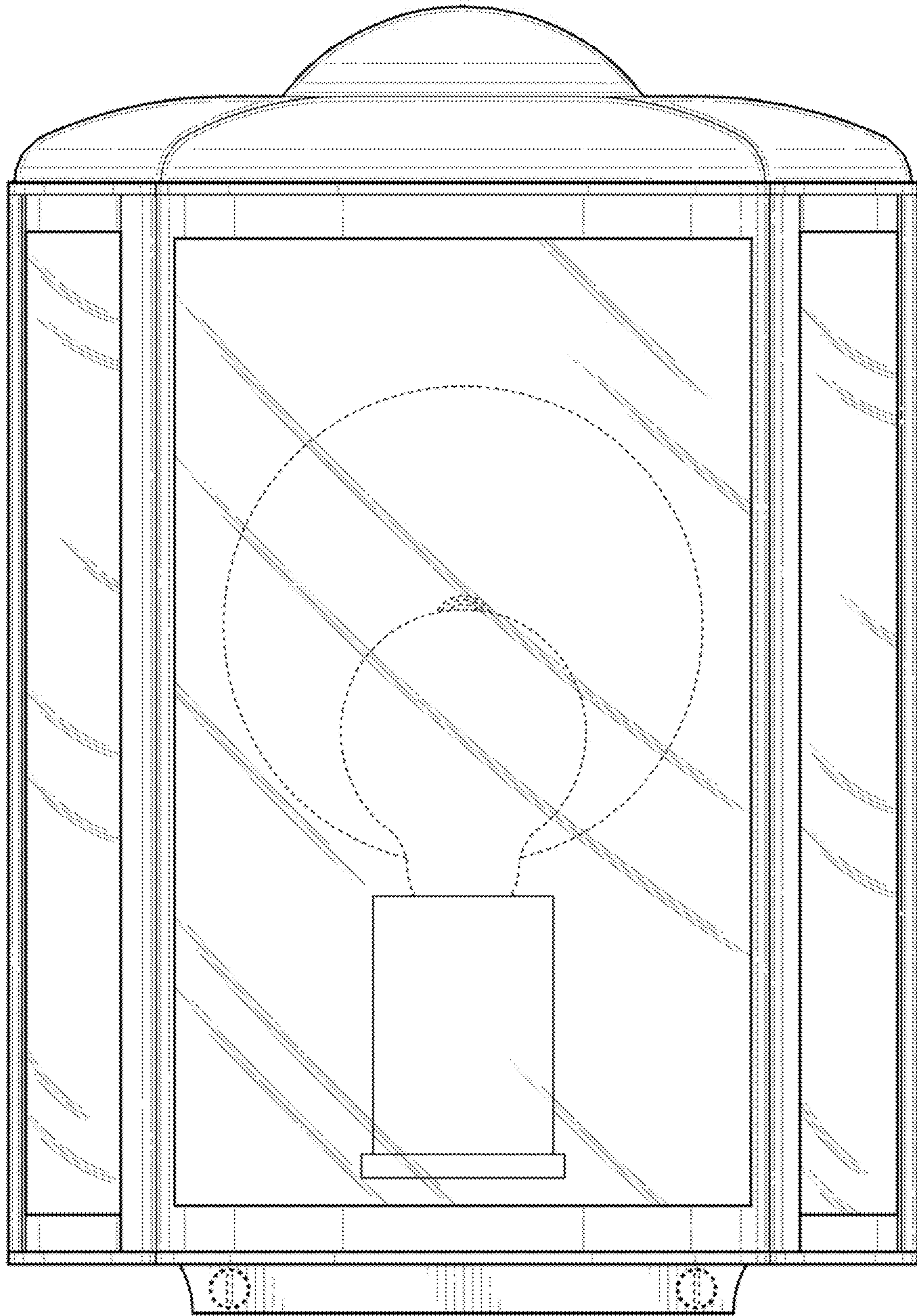


FIG. 3

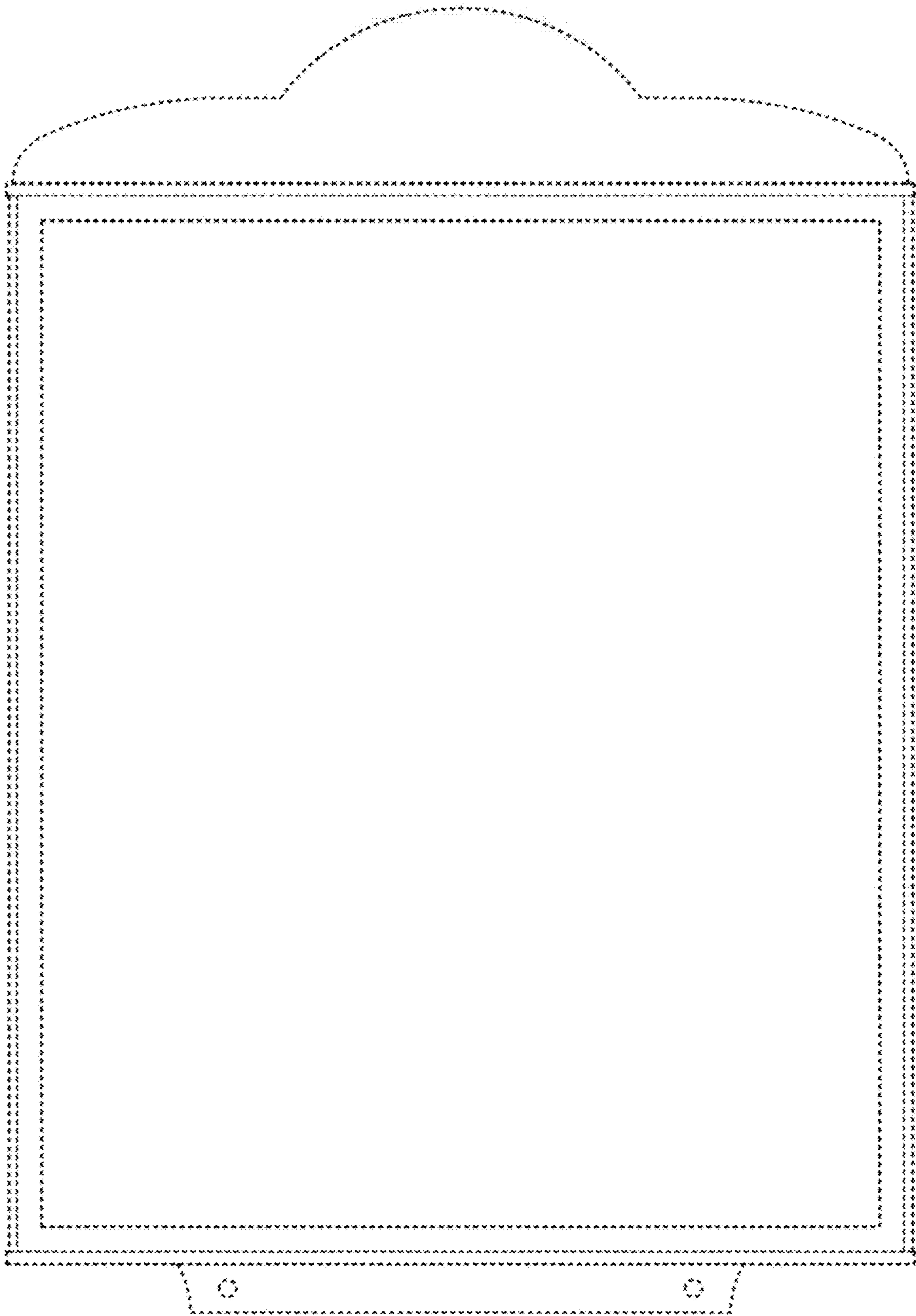
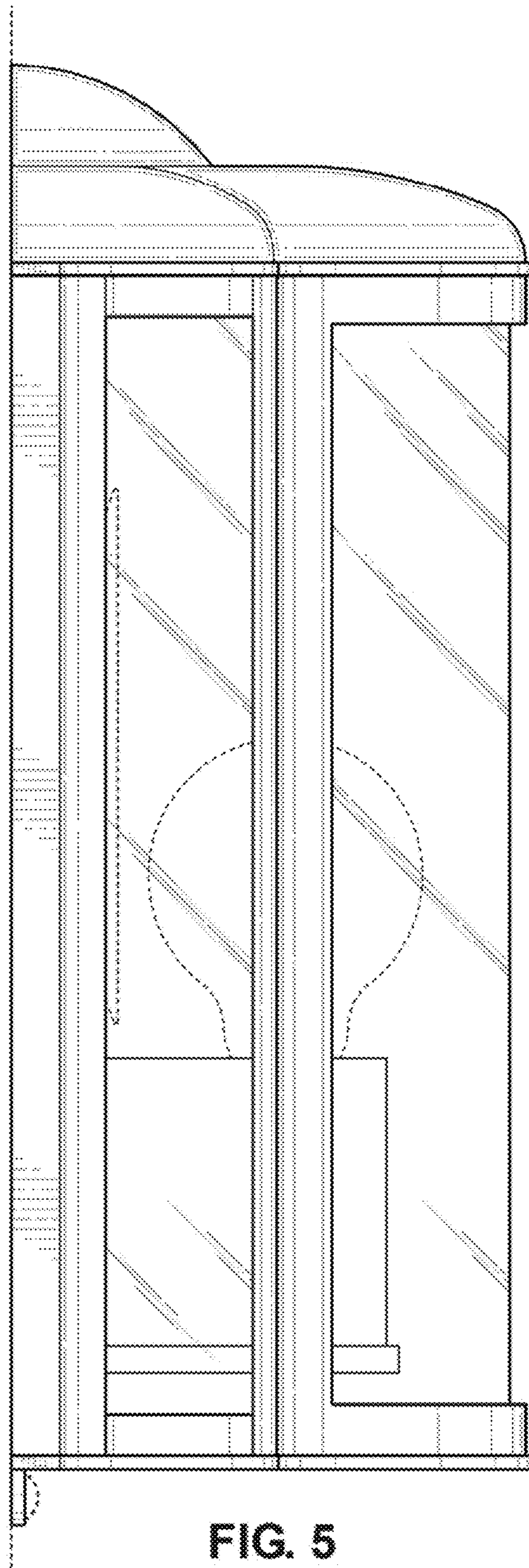


FIG. 4



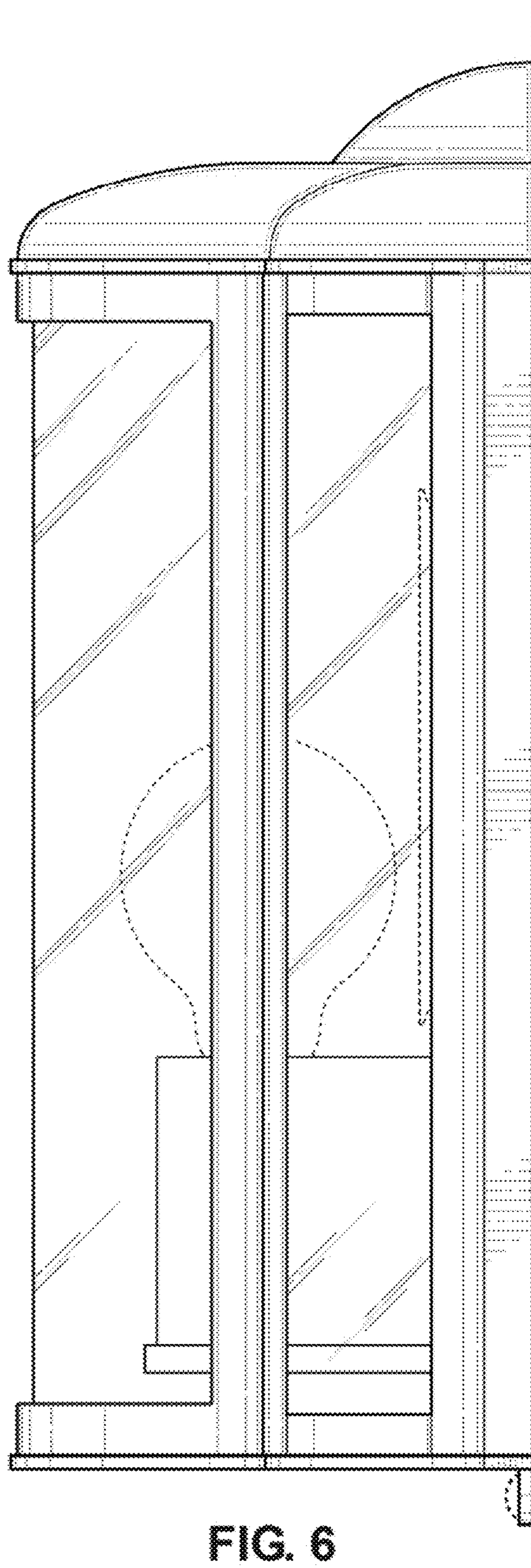


FIG. 6

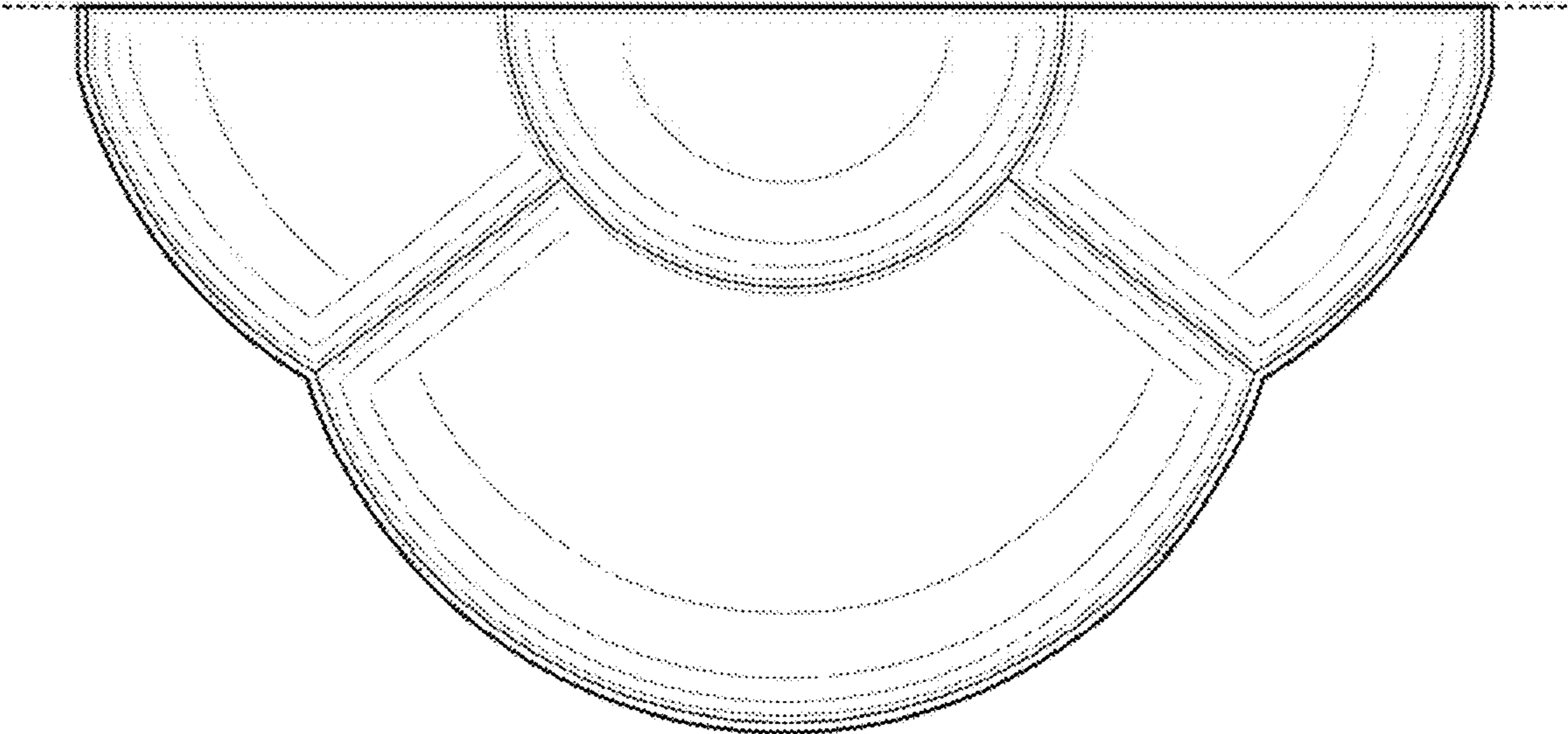


FIG. 7

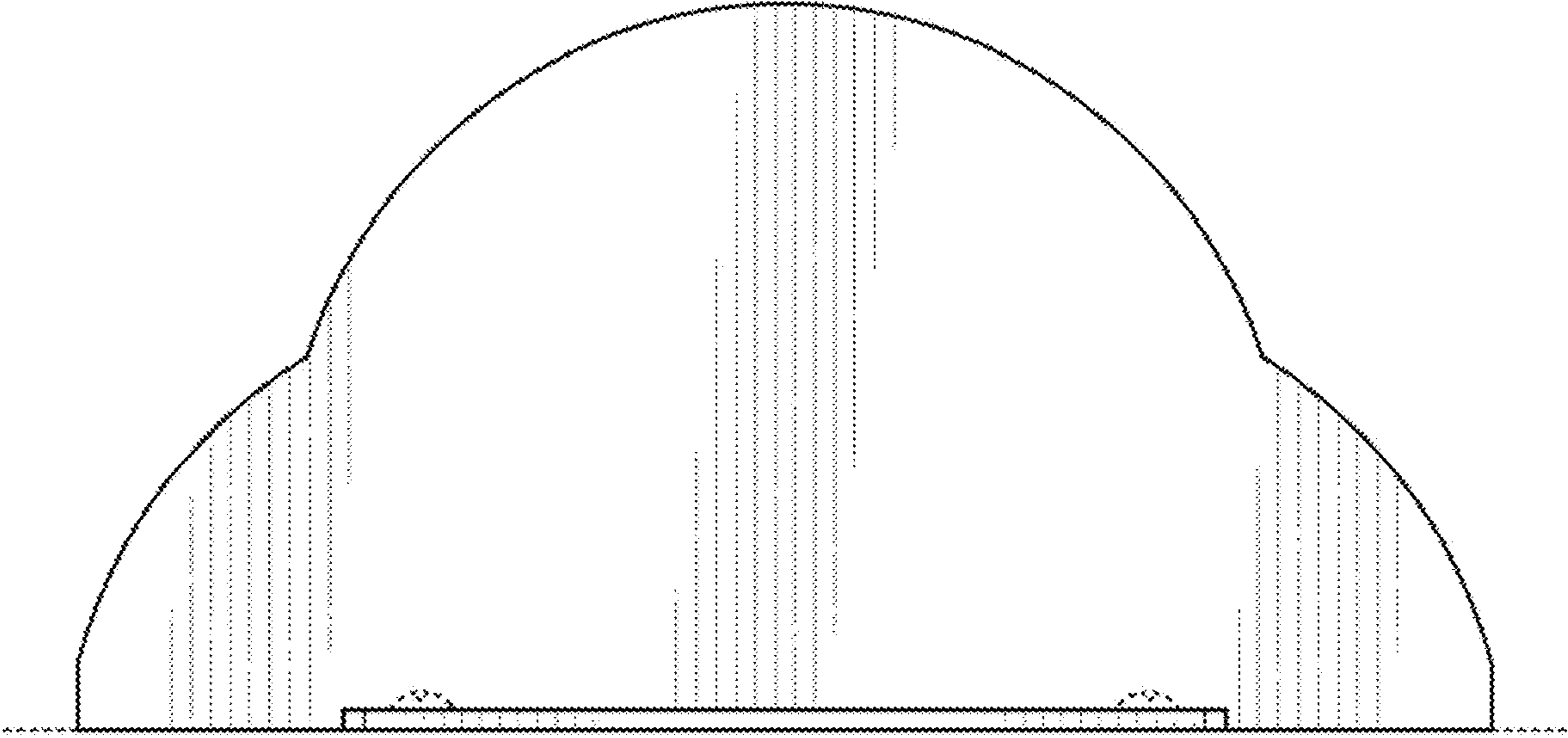


FIG. 8