



US00D836817S

(12) **United States Design Patent**
Fang

(10) **Patent No.:** **US D836,817 S**

(45) **Date of Patent:** **** Dec. 25, 2018**

(54) **WALL LIGHT**

(71) Applicant: **Chuping Fang**, Shenzhen (CN)

(72) Inventor: **Chuping Fang**, Shenzhen (CN)

(**) Term: **15 Years**

(21) Appl. No.: **29/618,376**

(22) Filed: **Sep. 21, 2017**

(51) **LOC (11) Cl.** **26-03**

(52) **U.S. Cl.**
USPC **D26/85**

(58) **Field of Classification Search**

USPC D26/72, 85, 92, 120, 139

CPC F21S 8/03; F21S 8/033; F21S 8/036; F21S

8/037; F21S 9/022; F21S 9/024; F21S

9/03; F21S 9/035; F21S 9/037; F21W

2131/107; G08B 13/193

See application file for complete search history.

(56) **References Cited**

U.S. PATENT DOCUMENTS

D151,626 S * 11/1948 Kress D26/85

D213,391 S * 2/1969 Bruno D26/76

D217,037 S * 3/1970 Weinstock D10/106.6

D236,647 S * 9/1975 Srewart D20/42

4,939,359 A * 7/1990 Freeman G01V 8/10

250/221

D535,775 S * 1/2007 Lueken D26/67

D566,876 S * 4/2008 Allen D26/85
D626,270 S * 10/2010 Waldmann D26/85
D796,975 S * 9/2017 Jou D10/106.6
D805,236 S * 12/2017 Exley D26/85
D816,259 S * 4/2018 Liu D26/85
D822,874 S * 7/2018 Hu D26/85
2017/0321877 A1 * 11/2017 Polidoro F21S 8/033

* cited by examiner

Primary Examiner — Clare E Heflin

(57) **CLAIM**

The ornamental design for a wall light, as shown and described.

DESCRIPTION

FIG. 1 is a perspective view of the wall light showing my new design, the wall light having a transparent cover;

FIG. 2 is similar to FIG. 1, viewed from another aspect;

FIG. 3 is a front elevational view thereof;

FIG. 4 is a rear elevational view thereof;

FIG. 5 is a left side elevational view thereof;

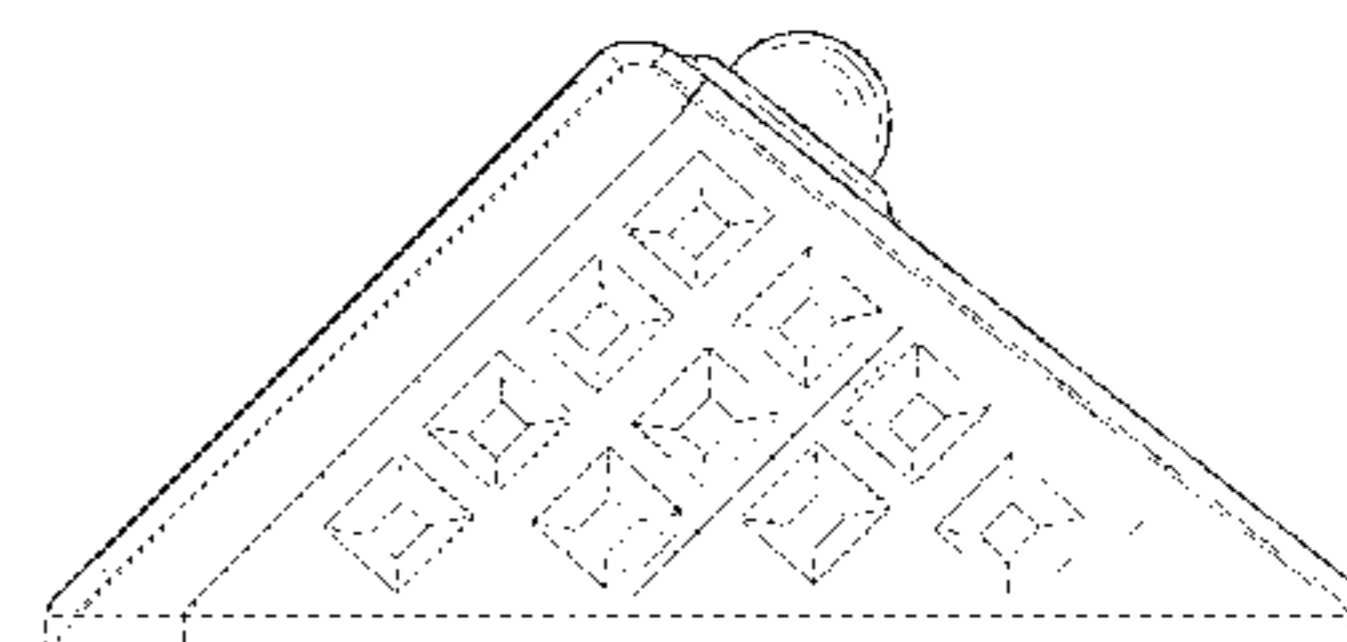
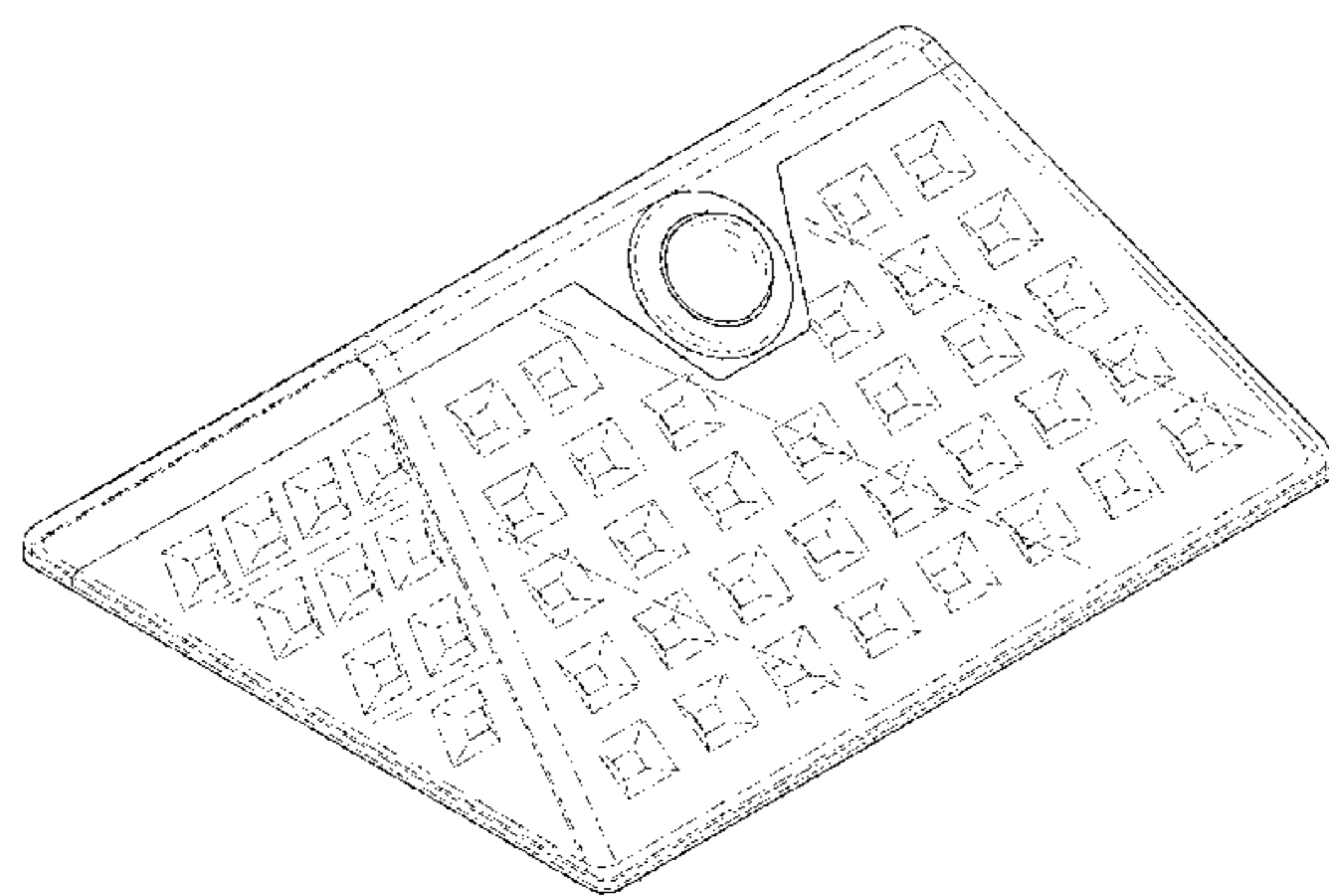
FIG. 6 is a right side devotional view thereof;

FIG. 7 is a top plan view thereof; and,

FIG. 8 is a bottom plan view thereof.

The broken lines are for the purposes of illustrating portions of the LED lamp and form no part of the claimed design.

1 Claim, 8 Drawing Sheets



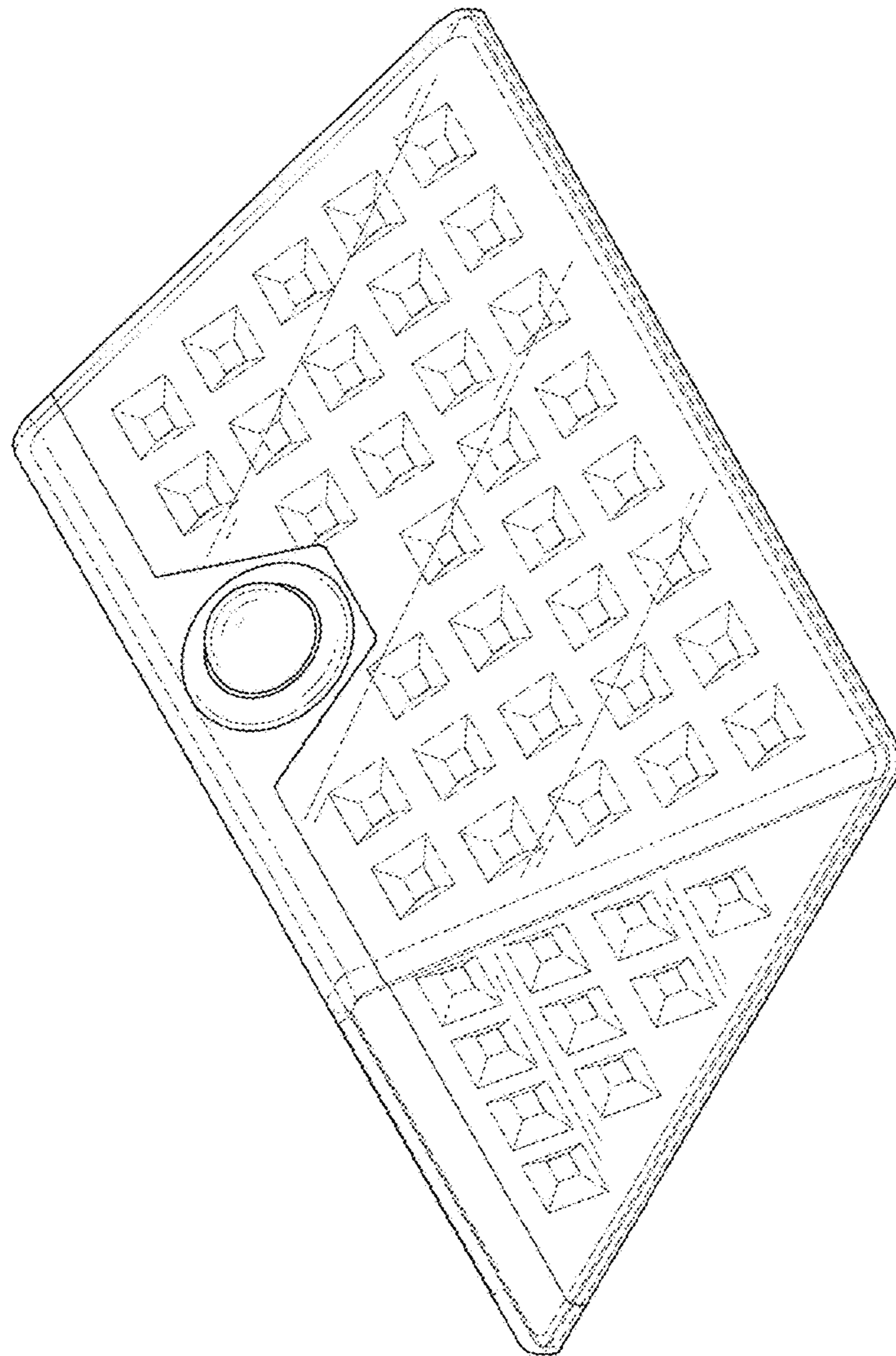


FIG. 1

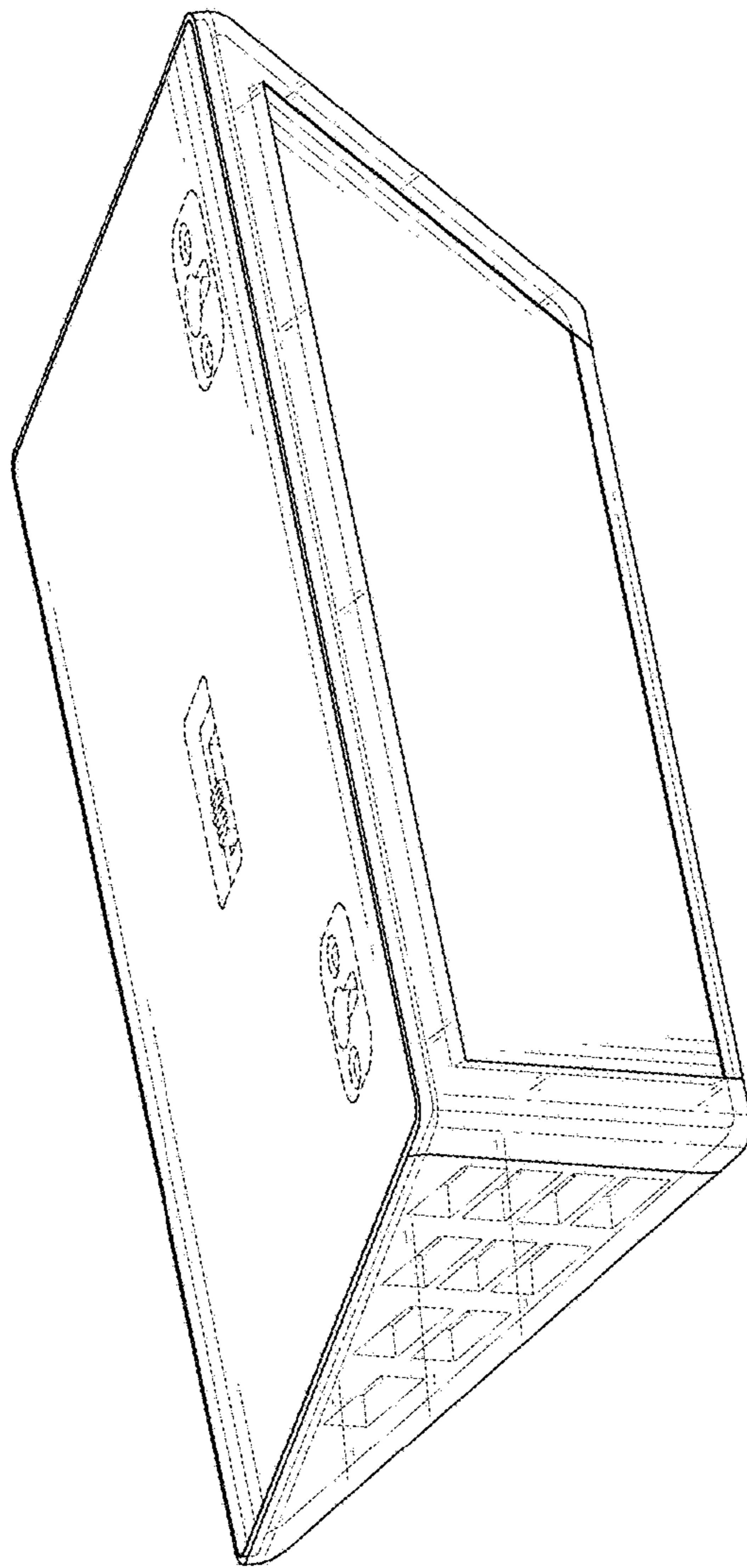


FIG. 2

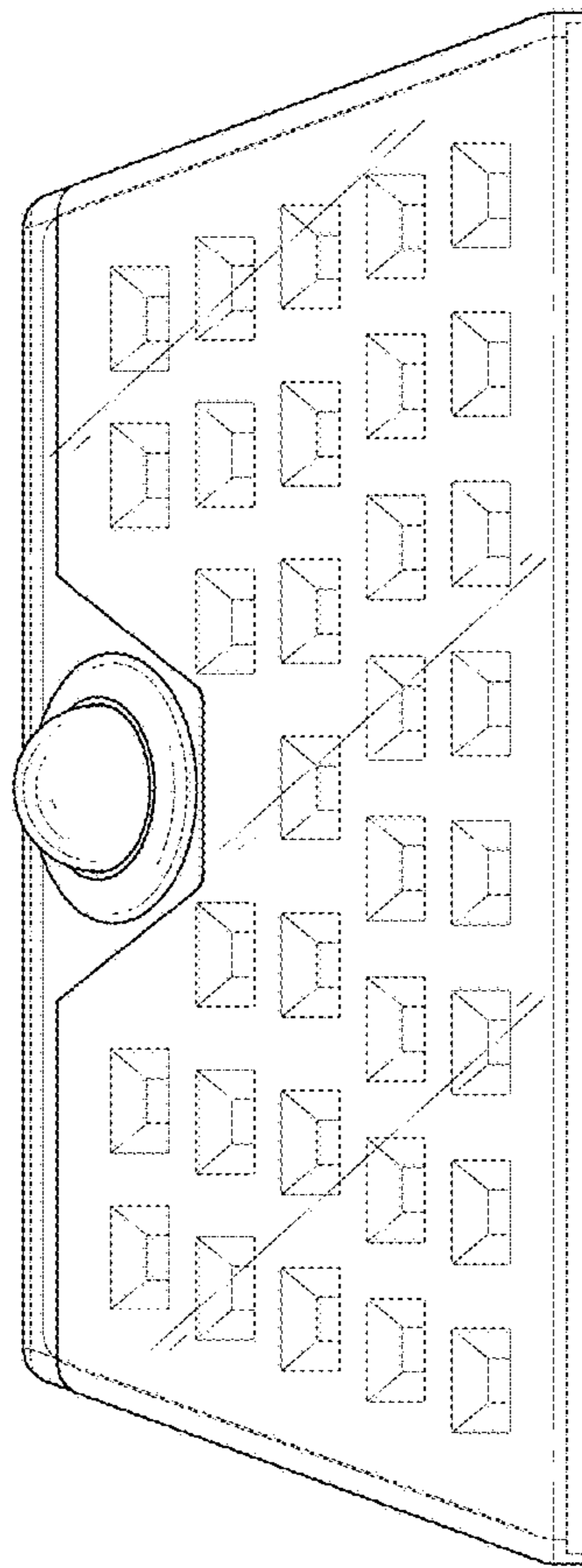


FIG. 3

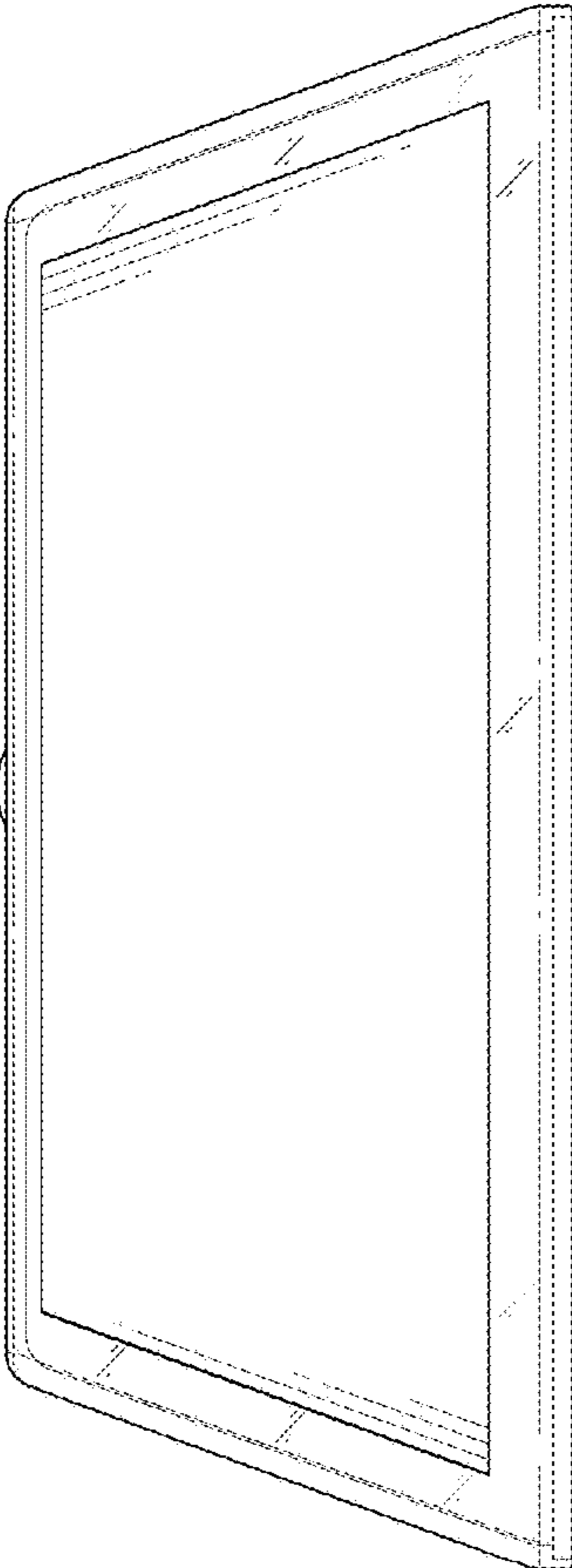


FIG. 4

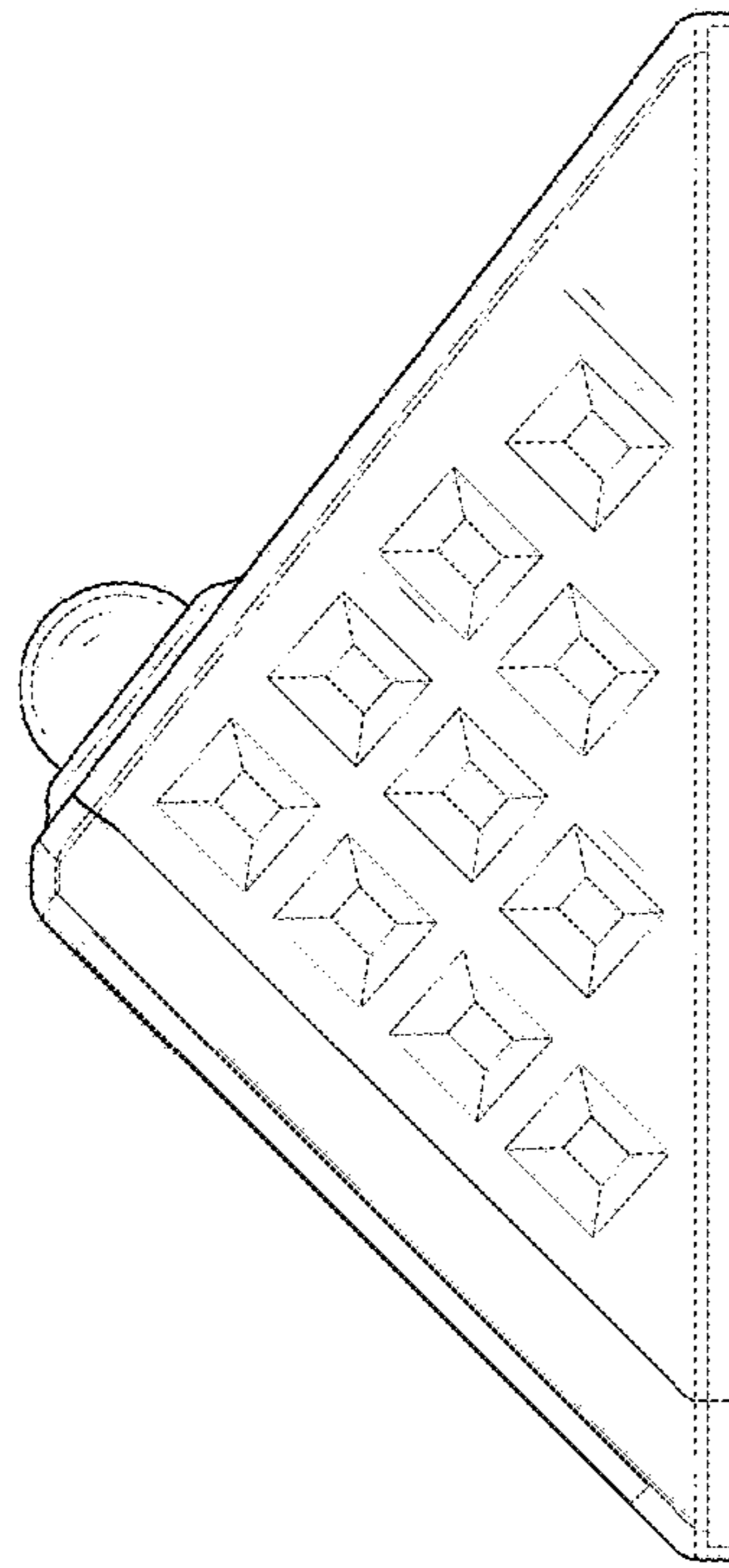


FIG. 5

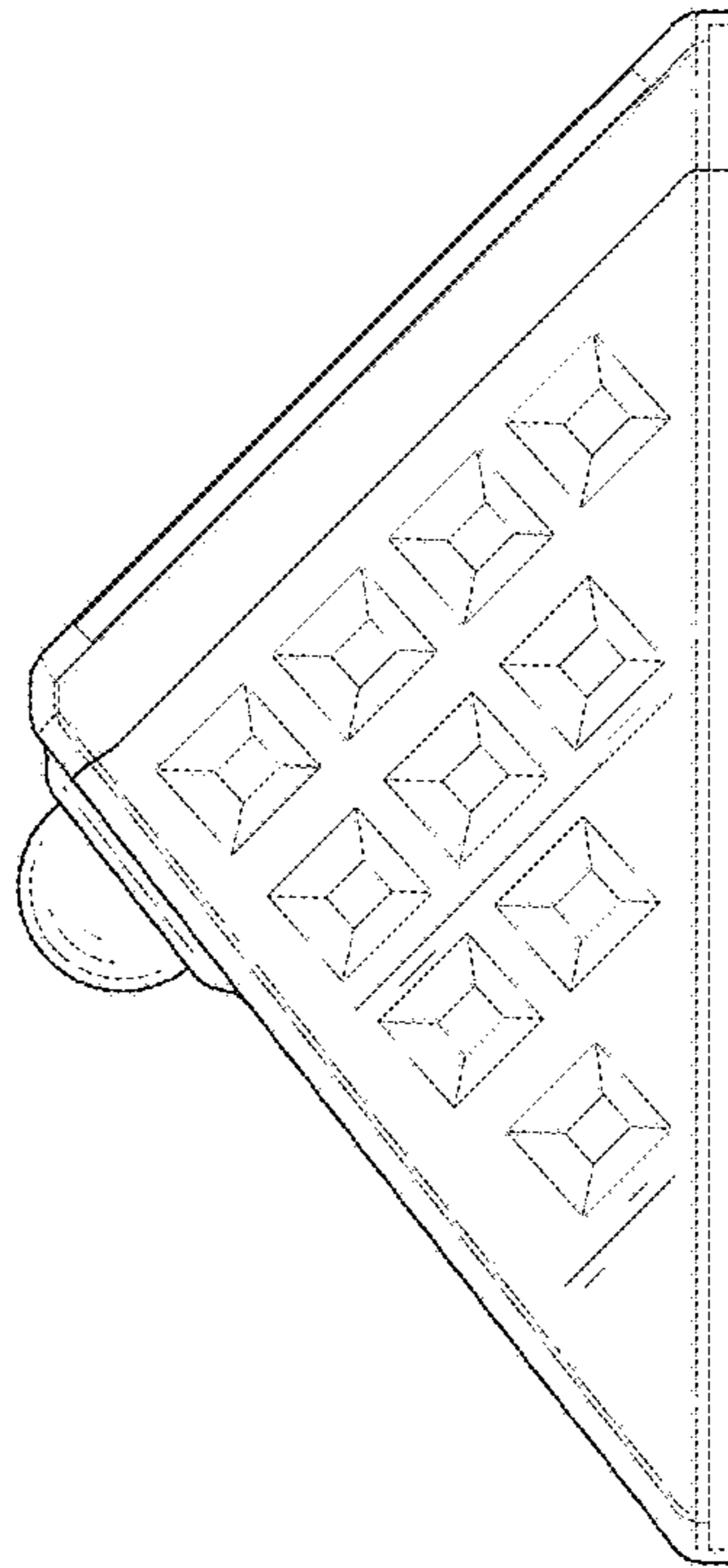


FIG. 6

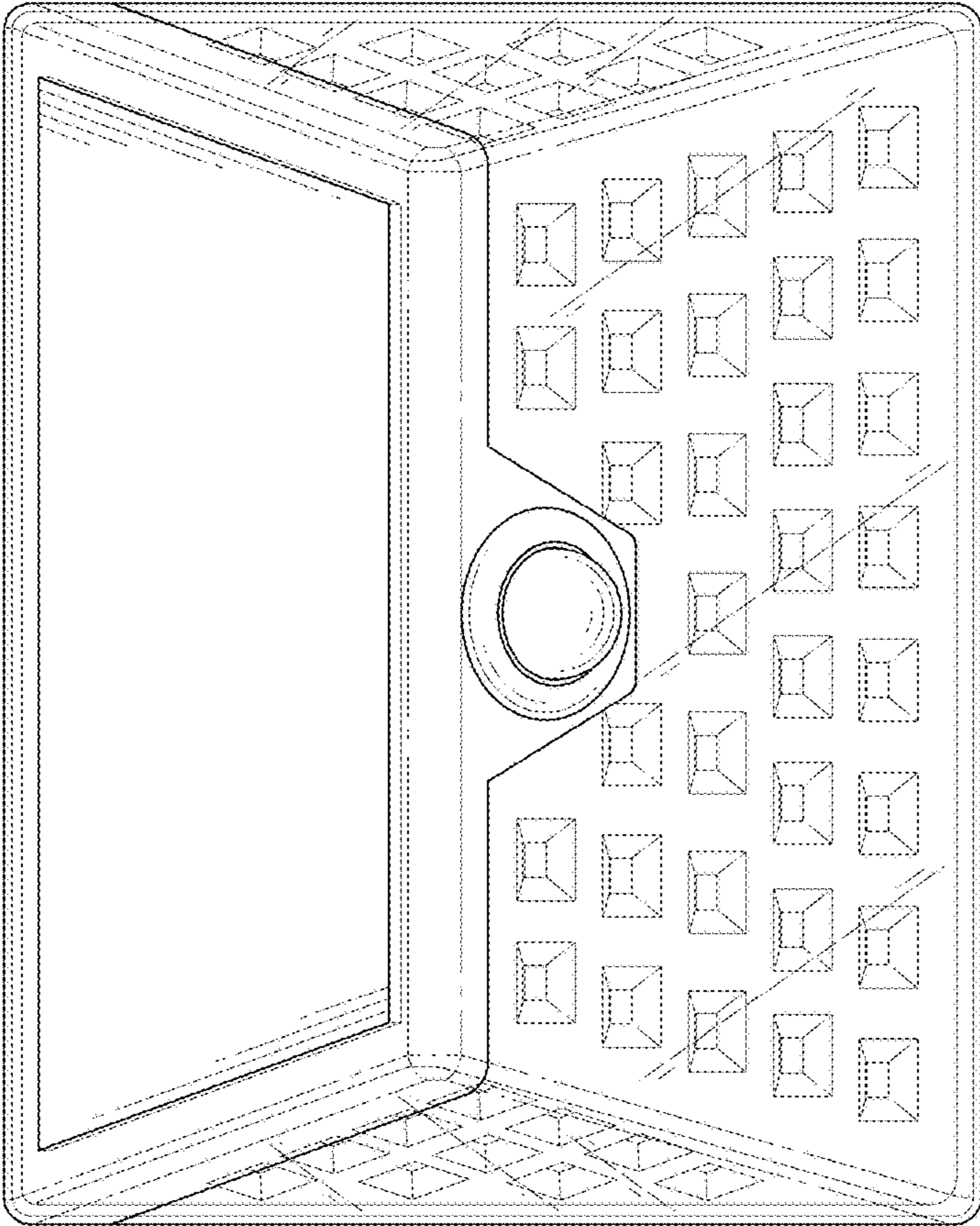


FIG. 7

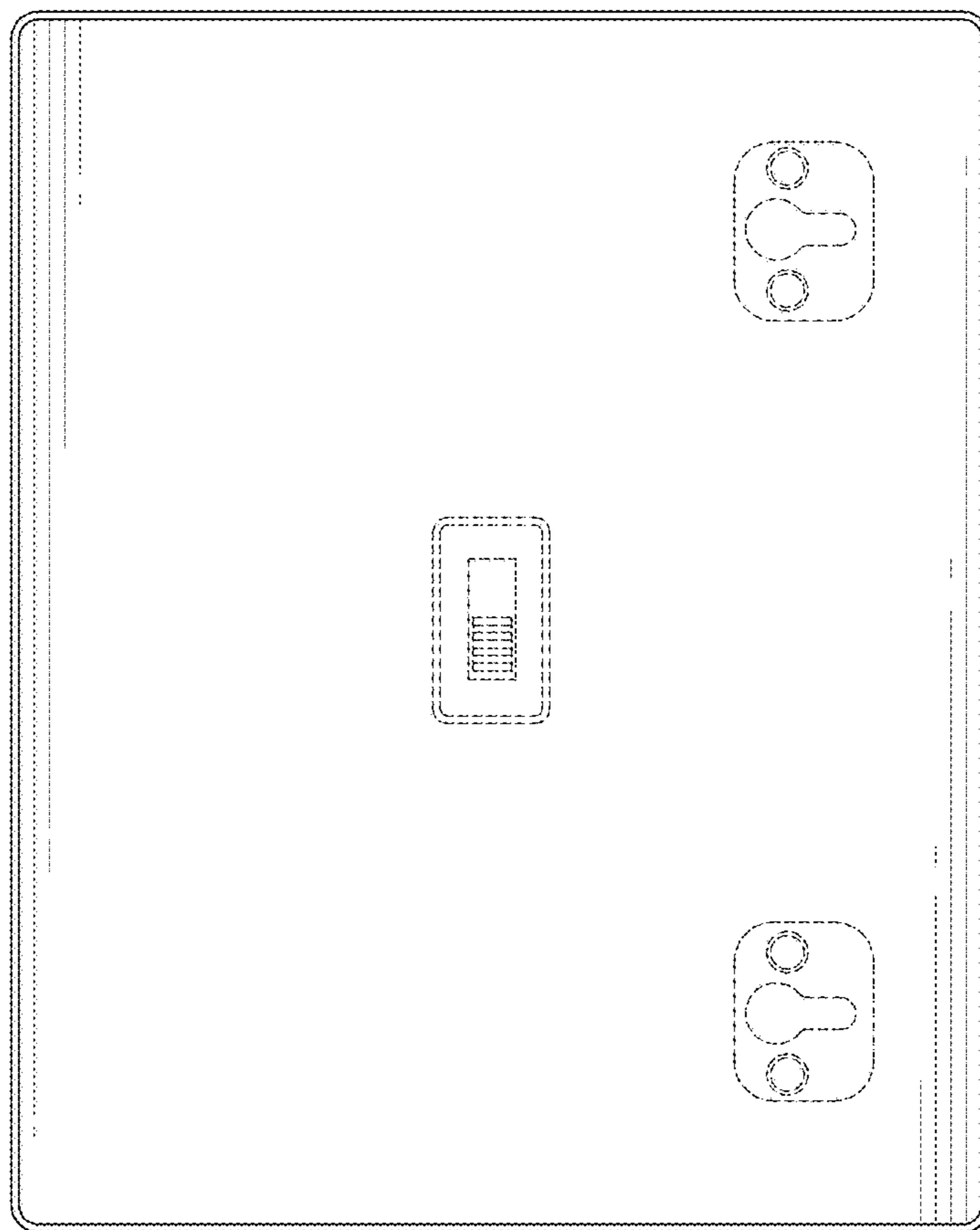


FIG. 8