



US00D836815S

(12) **United States Design Patent** (10) **Patent No.:** **US D836,815 S**  
**Patterson et al.** (45) **Date of Patent:** **\*\* Dec. 25, 2018**

(54) **BELOW GRADE, LINEAR LED LIGHTING FIXTURE**  
(71) Applicant: **Insight Lighting, Inc.**, Rio Rancho, NM (US)  
(72) Inventors: **David E. Patterson**, Rio Rancho, NM (US); **Jaxon K Patterson**, Rio Rancho, NM (US)

D430,324 S \* 8/2000 Shemitz ..... D26/63  
D520,173 S 5/2006 Plunk  
D537,553 S 2/2007 Kotovsky  
D665,123 S \* 8/2012 Douglas ..... D26/138  
D667,584 S 9/2012 Beghelli  
D731,109 S \* 6/2015 Wardenburg ..... D26/118  
D773,712 S 12/2016 Cavaliere et al.  
D782,095 S \* 3/2017 Fletcher ..... D26/76  
D782,096 S \* 3/2017 Fletcher ..... D26/76  
D800,366 S \* 10/2017 Cavaliere ..... D26/75

(73) Assignee: **INSIGHT LIGHTING, INC.**, Rio Rancho, NM (US)  
(\*\*) Term: **15 Years**

**FOREIGN PATENT DOCUMENTS**

WO WO 0 171396 A1 9/2001  
WO WO 0 184047 A1 11/2001

(21) Appl. No.: **29/608,047**  
(22) Filed: **Jun. 19, 2017**  
(51) **LOC (11) Cl.** ..... **26-04**  
(52) **U.S. Cl.**  
USPC ..... **D26/76**

\* cited by examiner

*Primary Examiner* — George D. Kirschbaum  
*Assistant Examiner* — Natasha Vujcic  
(74) *Attorney, Agent, or Firm* — Dennis F. Armijo

(58) **Field of Classification Search**  
USPC ..... D26/76, 78, 79, 80, 81, 82, 83, 85, 86, D26/88, 90, 113, 118, 119, 120, 121, 122, D26/138, 139, 140, 141, 142, 152  
CPC ..... F21S 2/00; F21S 4/00; F21S 4/003; F21S 4/005; F21S 4/006; F21S 4/007; F21S 4/008; F21S 6/00; F21S 8/00; F21S 8/024; F21S 8/026; F21S 8/031; F21S 8/033; F21S 8/035–8/037; F21S 8/04; F21S 8/043; F21S 8/063  
See application file for complete search history.

(57) **CLAIM**

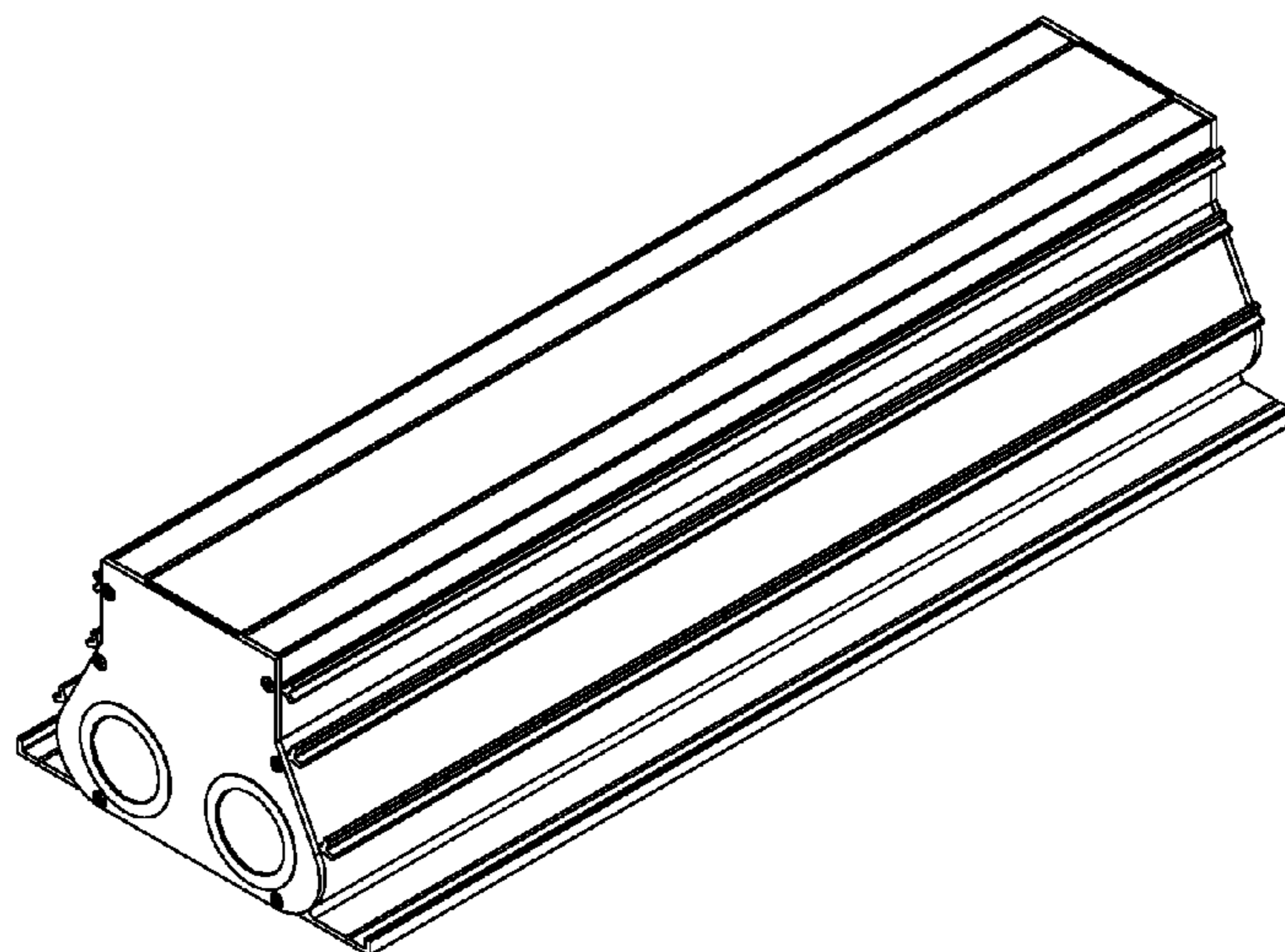
The ornamental design for a below grade, linear LED lighting fixture, as shown and described.

**DESCRIPTION**

FIG. 1 is a top and front isometric view of a below grade, linear LED lighting fixture showing my new design; FIG. 2 is a bottom and rear isometric view thereof; FIG. 3 is a front elevational view thereof; FIG. 4 is a rear elevational view thereof; FIG. 5 is a left side elevational view thereof; FIG. 6 is a right side elevational view thereof; FIG. 7 is a top plan view thereof; FIG. 8 is a bottom plan view thereof; FIG. 9 is a vertical cross-sectional view thereof, taken along line 9-9 of FIG. 7; and, FIG. 10 is an exploded isometric view thereof. The broken line disclosure represents environmental subject matter which forms no part of the claimed design.

(56) **References Cited**  
U.S. PATENT DOCUMENTS  
2,474,308 A \* 6/1949 Franck ..... F21S 8/04 D26/76  
4,494,175 A \* 1/1985 Gawad ..... F21S 8/02 362/148  
D292,619 S 11/1987 Chen  
D390,992 S \* 2/1998 Shemitz ..... D26/63

**1 Claim, 4 Drawing Sheets**



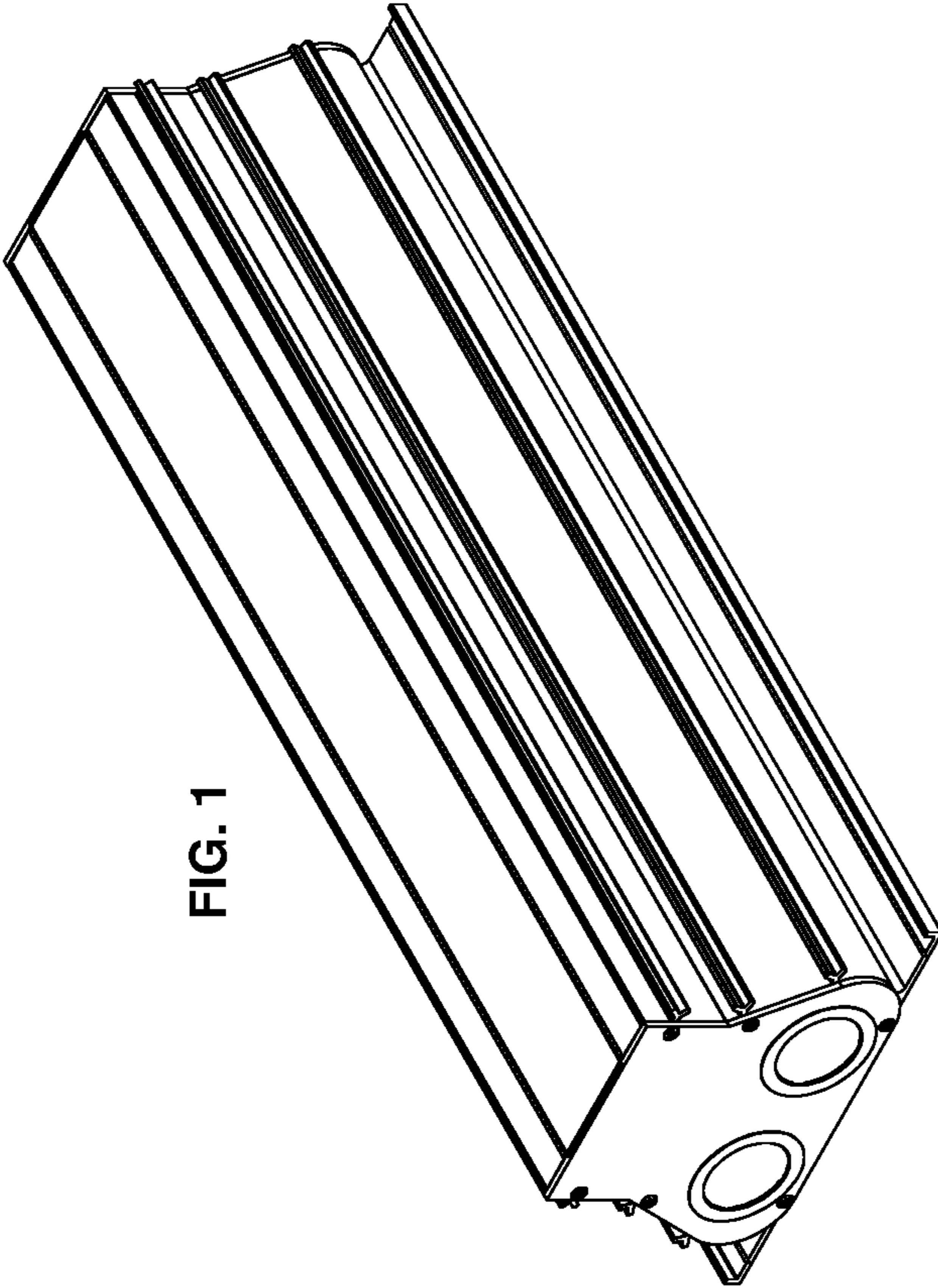


FIG. 1

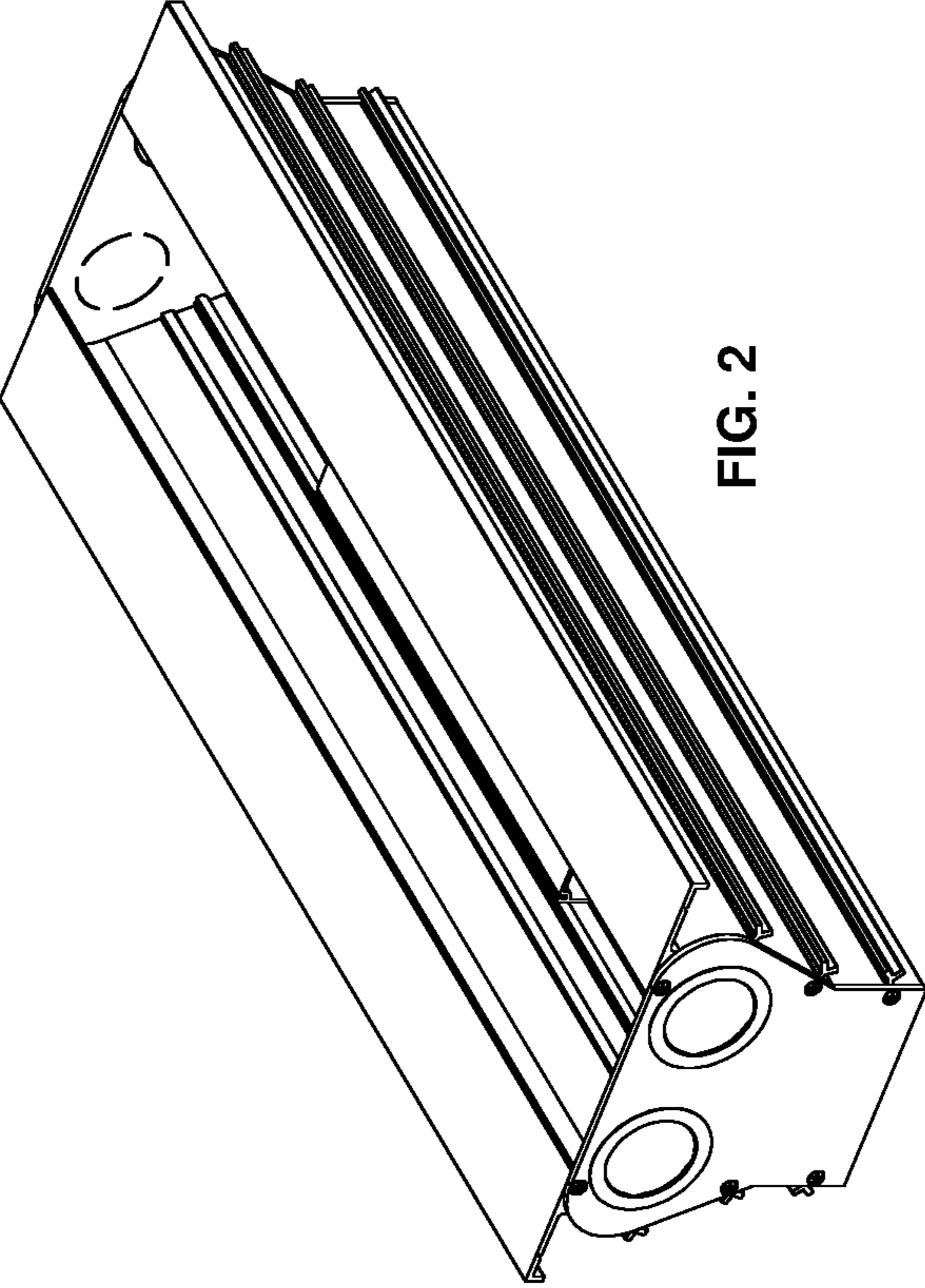


FIG. 2

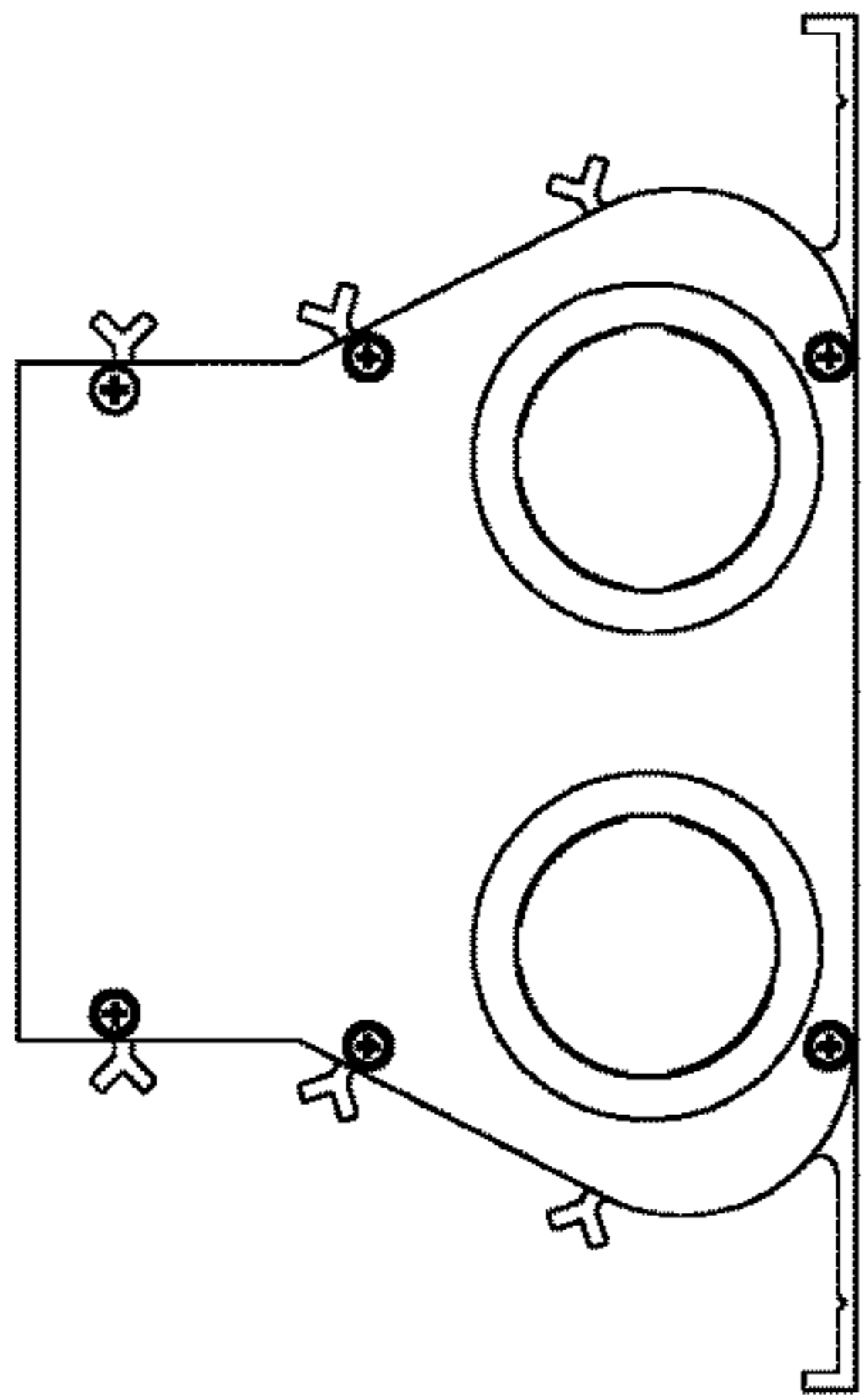


FIG. 3

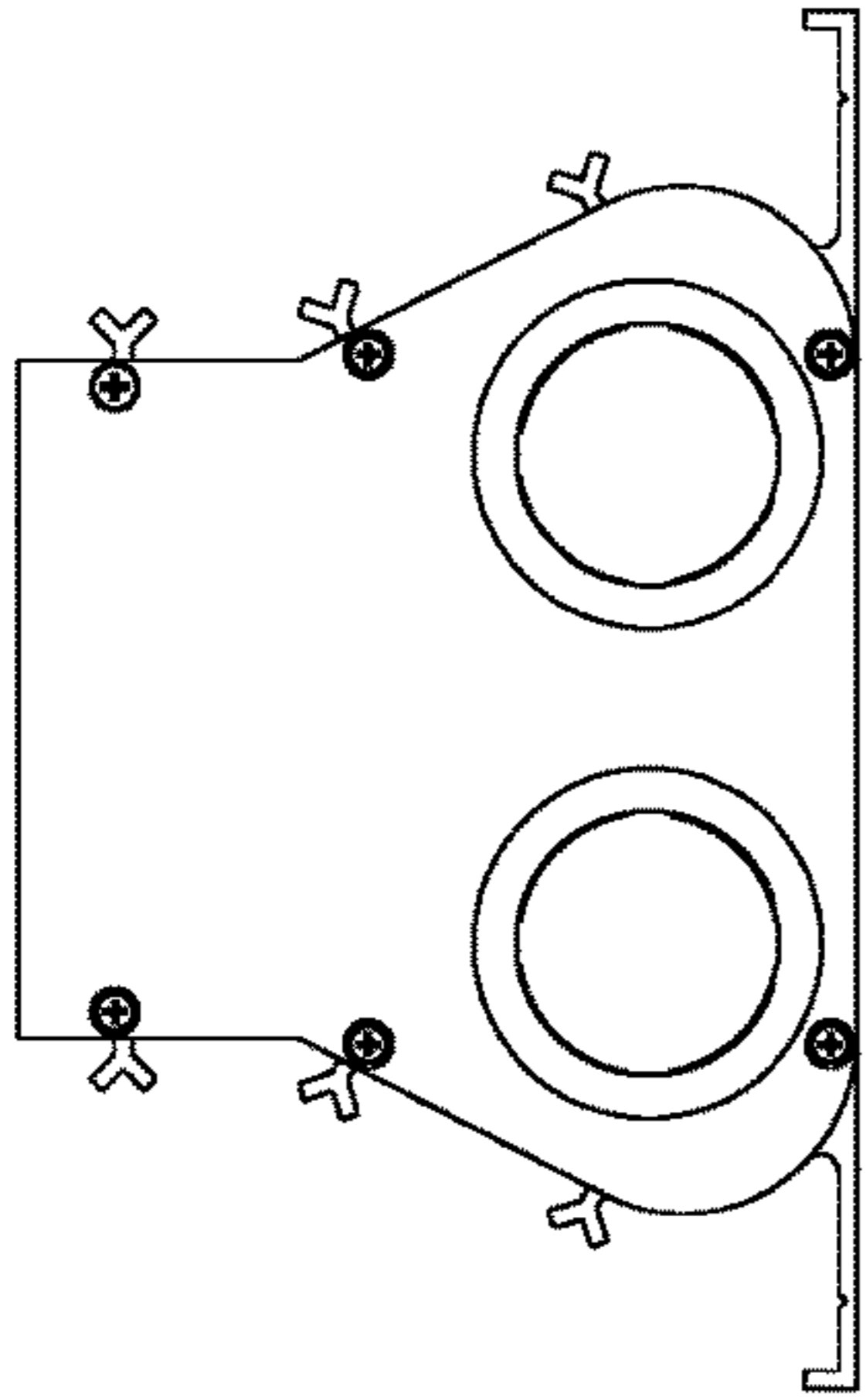


FIG. 4

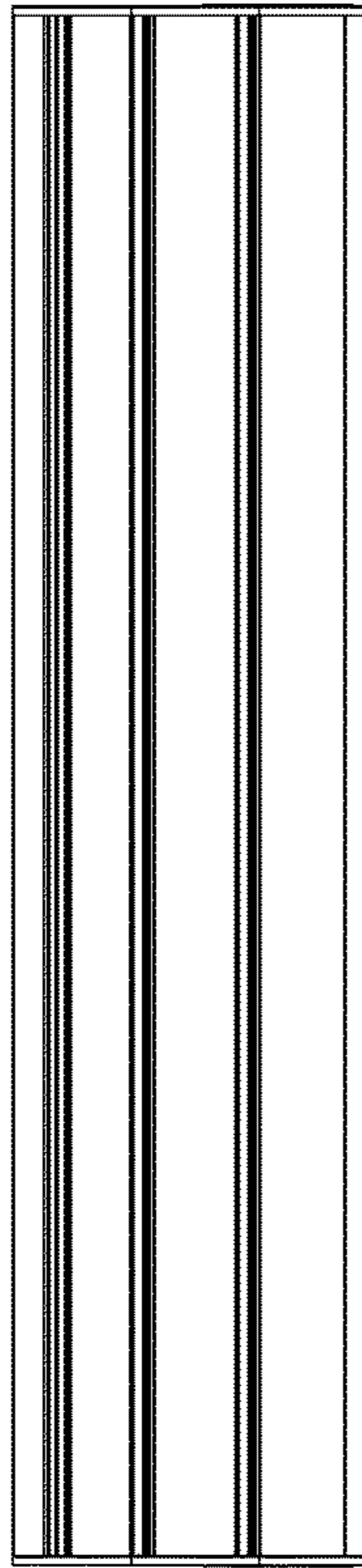


FIG. 5

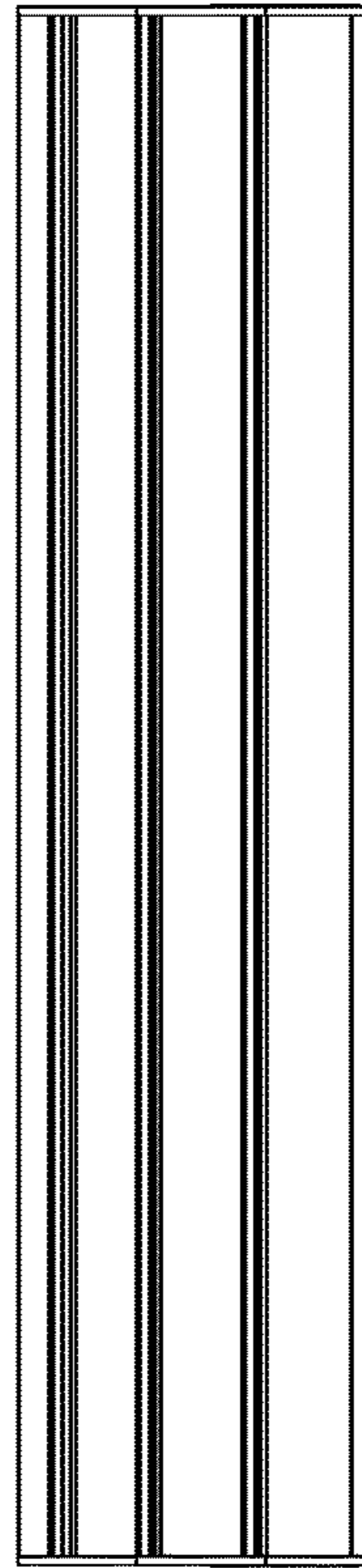


FIG. 6

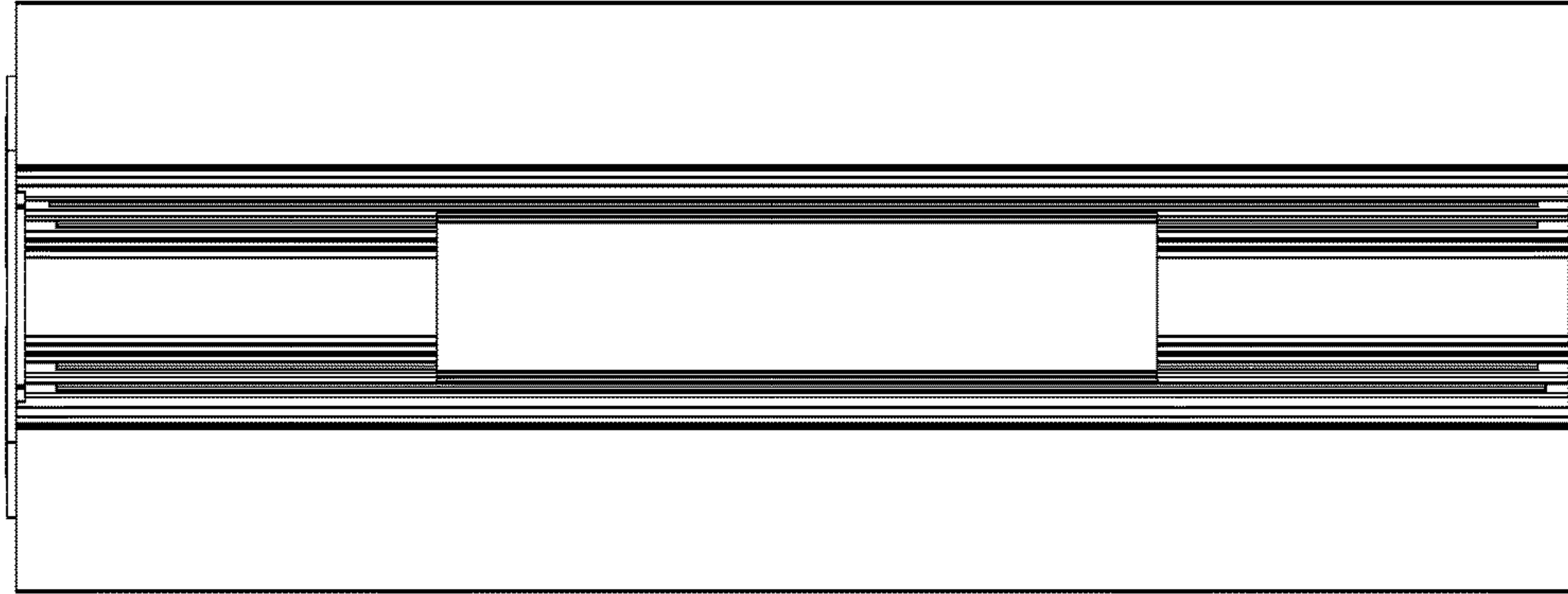


FIG. 8

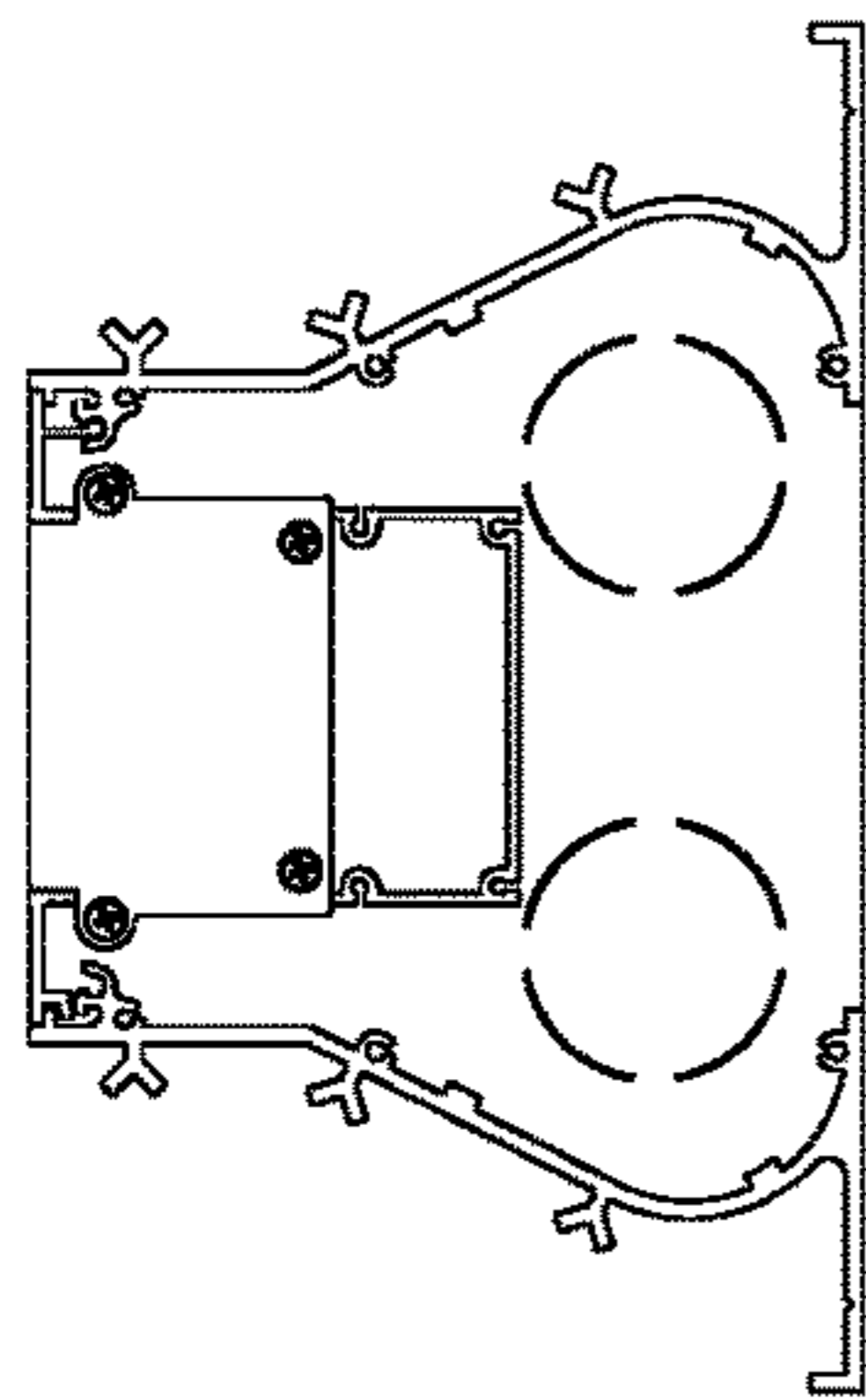


FIG. 9

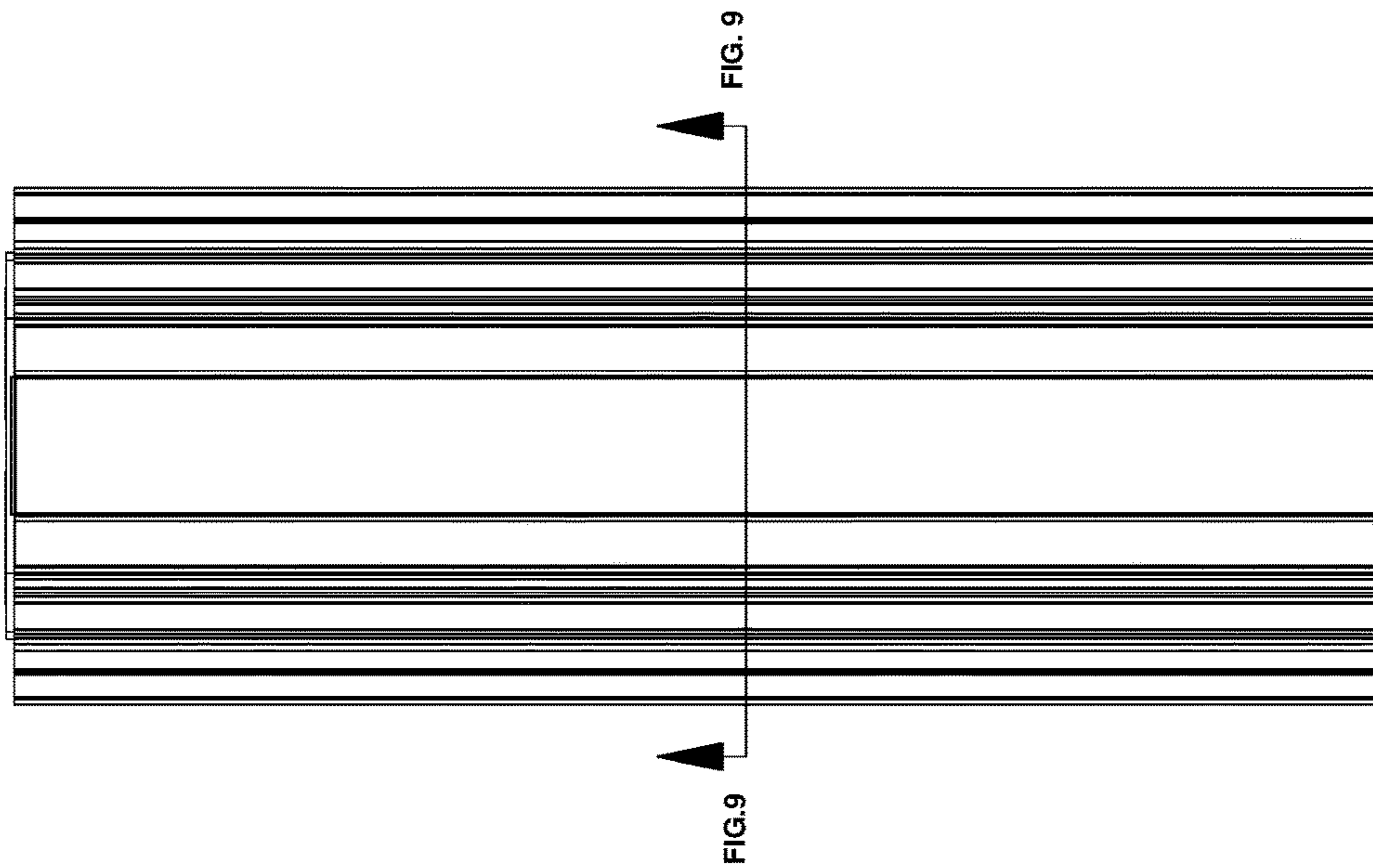


FIG. 7

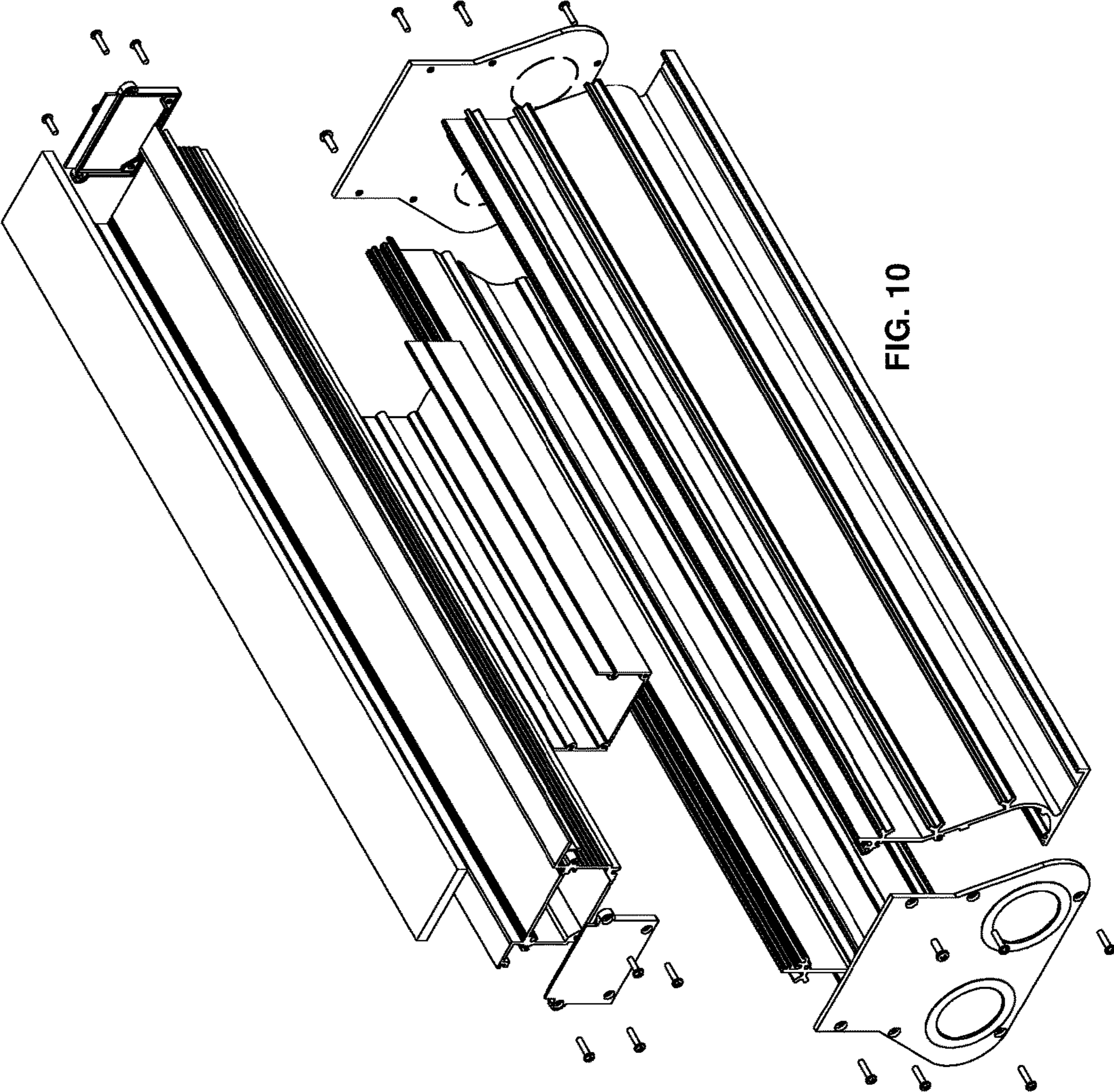


FIG. 10