



US00D836814S

(12) **United States Design Patent**
Yu

(10) **Patent No.:** **US D836,814 S**
(45) **Date of Patent:** **** Dec. 25, 2018**

(54) **OUTDOOR LED LIGHTING FIXTURE**

(71) Applicant: **Shenzhen Yaorong Technology Co., Ltd.**, Shenzhen (CN)

(72) Inventor: **Huanhuan Yu**, Shenzhen (CN)

(73) Assignee: **Shenzhen Yaorong Technology Co., Ltd.** (CN)

(**) Term: **15 Years**

(21) Appl. No.: **29/576,019**

(22) Filed: **Aug. 31, 2016**

(30) **Foreign Application Priority Data**

Mar. 12, 2016 (CN) 2016 3 0069642

(51) **LOC (11) Cl.** **26-05**

(52) **U.S. Cl.**
USPC **D26/71**

(58) **Field of Classification Search**
USPC D26/67-71, 87, 92, 118
CPC F21S 8/032; F21S 8/08; F21S 8/081; F21S 8/083; F21S 8/085; F21S 8/088; F21S 6/004; F21S 9/03; F21S 9/032; F21S 9/035; F21S 9/037; F21S 13/10; F21W 2131/10; F21W 2131/107; F21W 2131/109; F21W 2111/023; F21V 21/0824; F21V 7/041

See application file for complete search history.

(56) **References Cited**

U.S. PATENT DOCUMENTS

D194,480 S *	1/1963	Rodriguez et al.	D26/71
3,156,418 A *	11/1964	Jablonski	F21S 8/088 248/219.2
D285,010 S *	8/1986	Mullins	D26/67
D599,935 S *	9/2009	van Klinken	D26/67
D755,431 S *	5/2016	Chen	D26/67
D786,467 S *	5/2017	Wan	D26/67

* cited by examiner

Primary Examiner — Clare E Heflin

(74) *Attorney, Agent, or Firm* — PROI Intellectual Property US

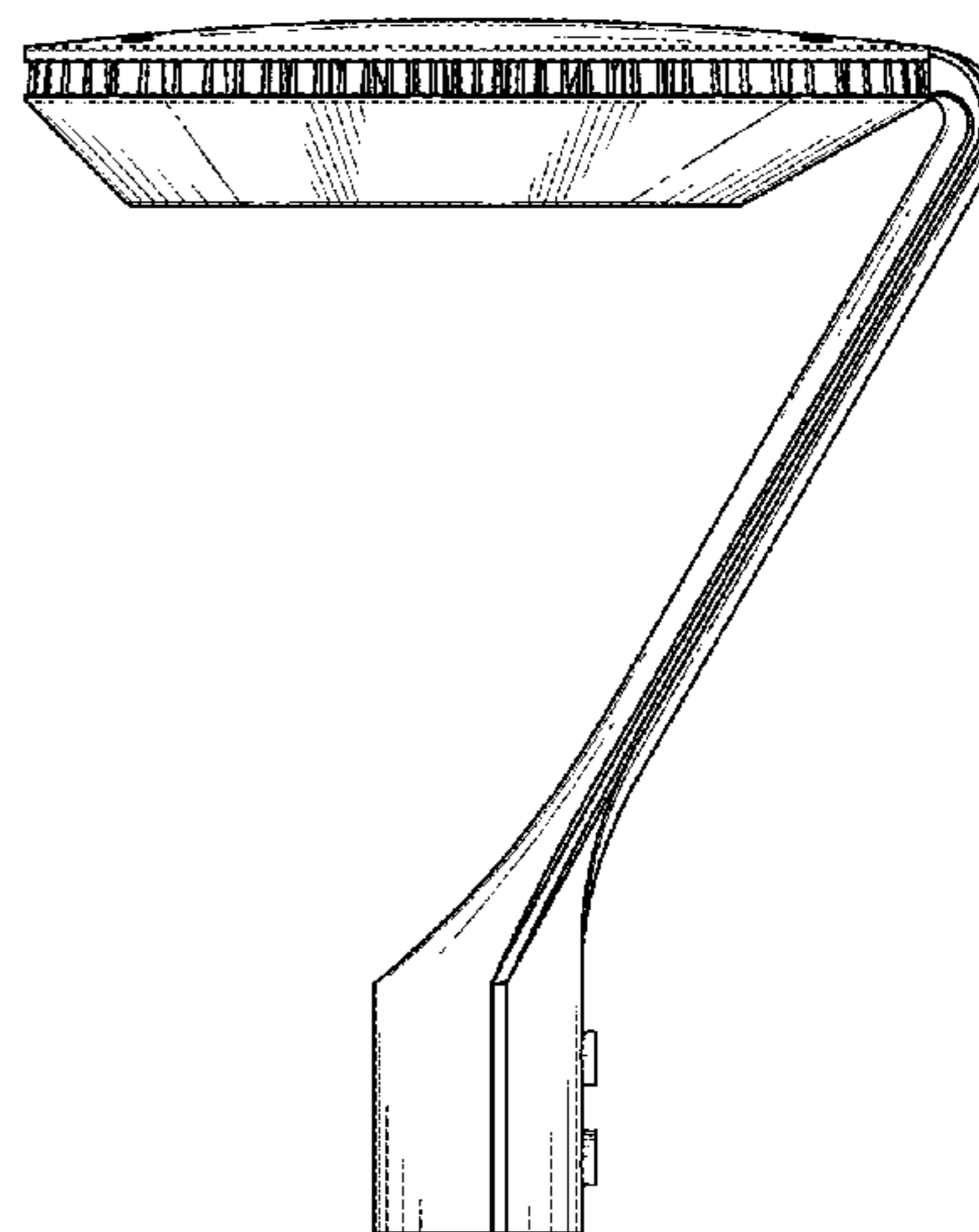
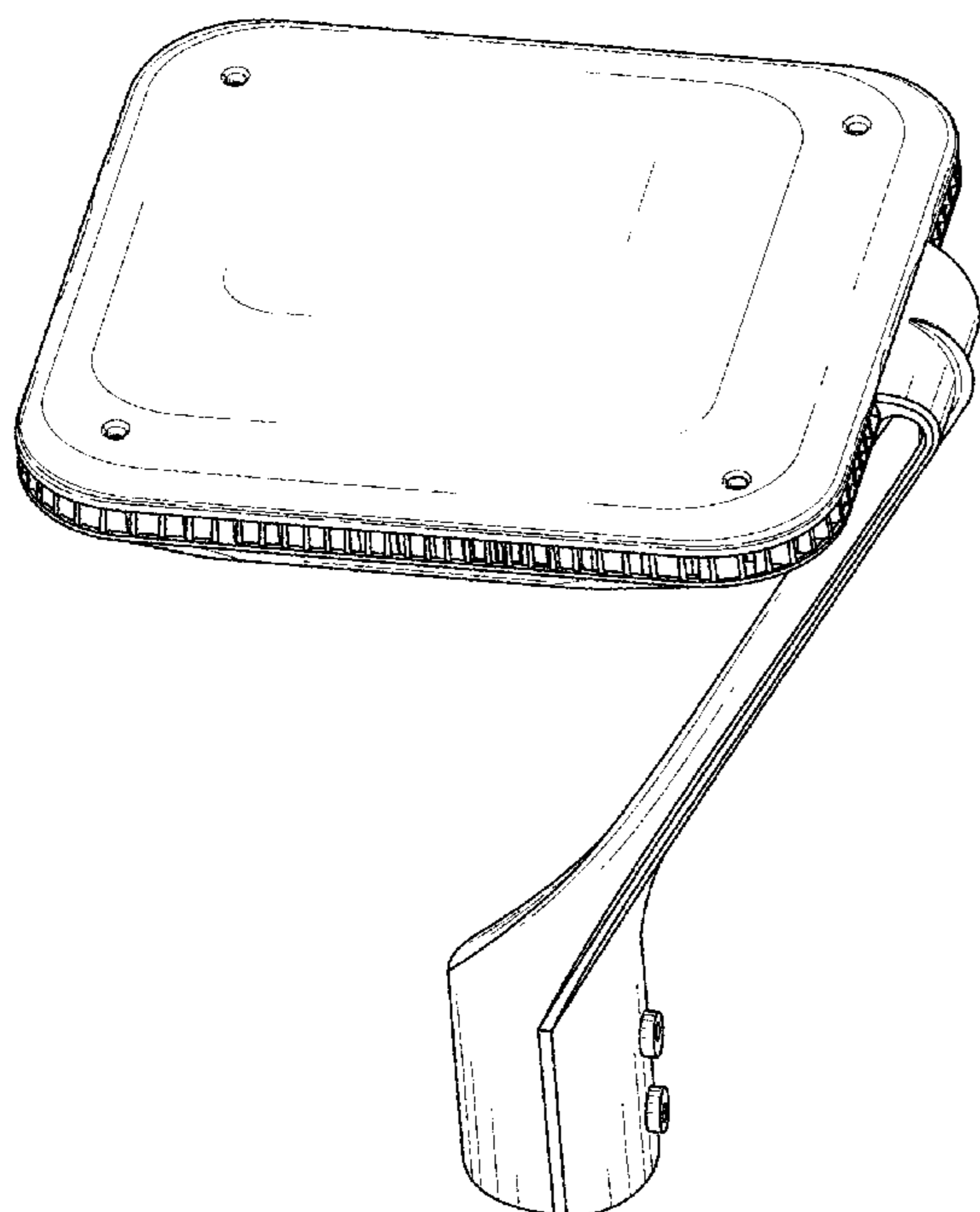
(57) **CLAIM**

The ornamental design for an outdoor LED lighting fixture, as shown and described.

DESCRIPTION

FIG. 1 is a perspective view of an outdoor LED lighting fixture showing my new design;
FIG. 2 is a front view thereof;
FIG. 3 is a back view thereof;
FIG. 4 is a left side view thereof;
FIG. 5 is a right side view thereof;
FIG. 6 is a downward plan view thereof; and,
FIG. 7 is an upward plan view thereof.
Broken lines are used to illustrate features of the outdoor LED lighting fixture which form no part of the claimed design.

1 Claim, 4 Drawing Sheets



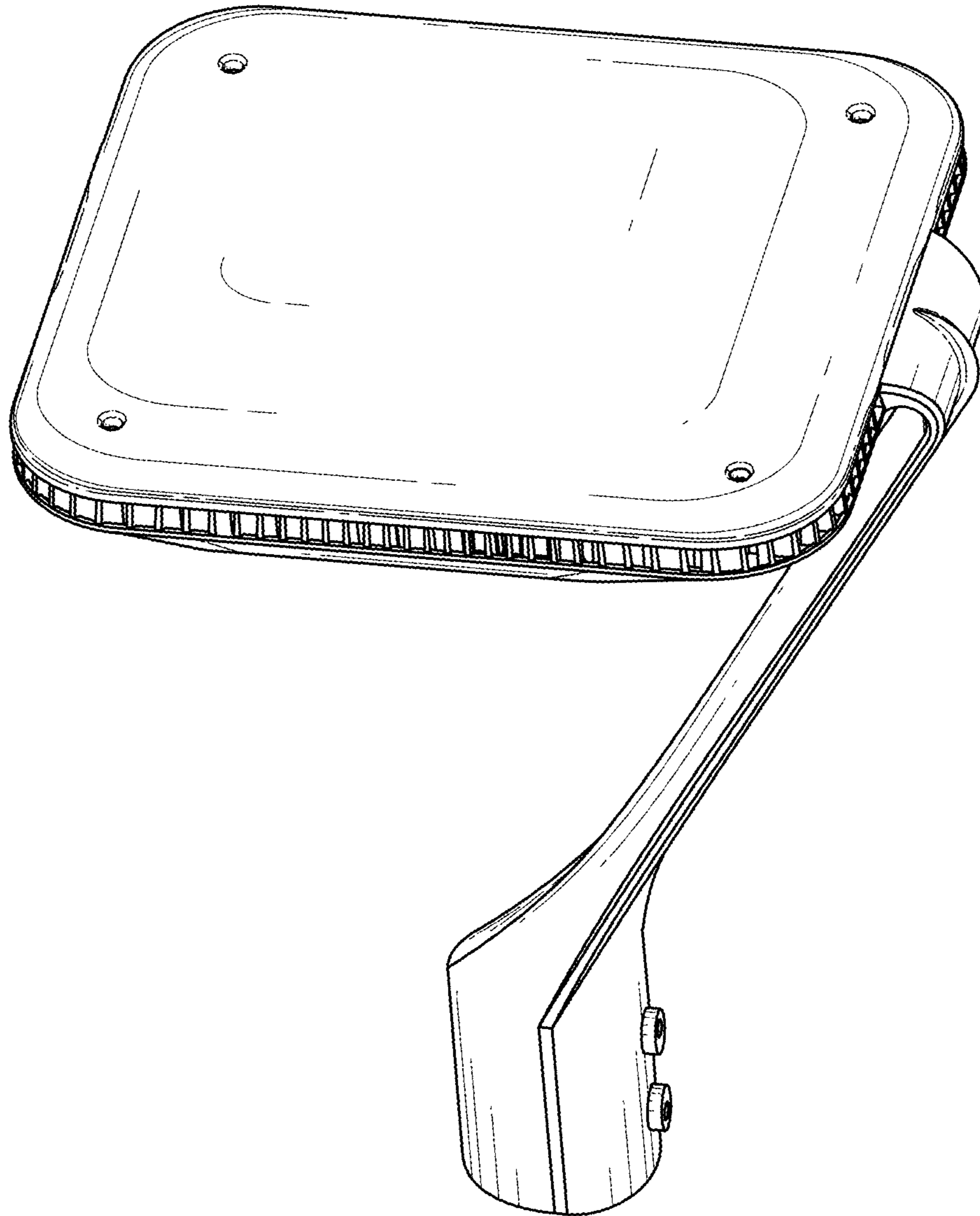


FIG. 1

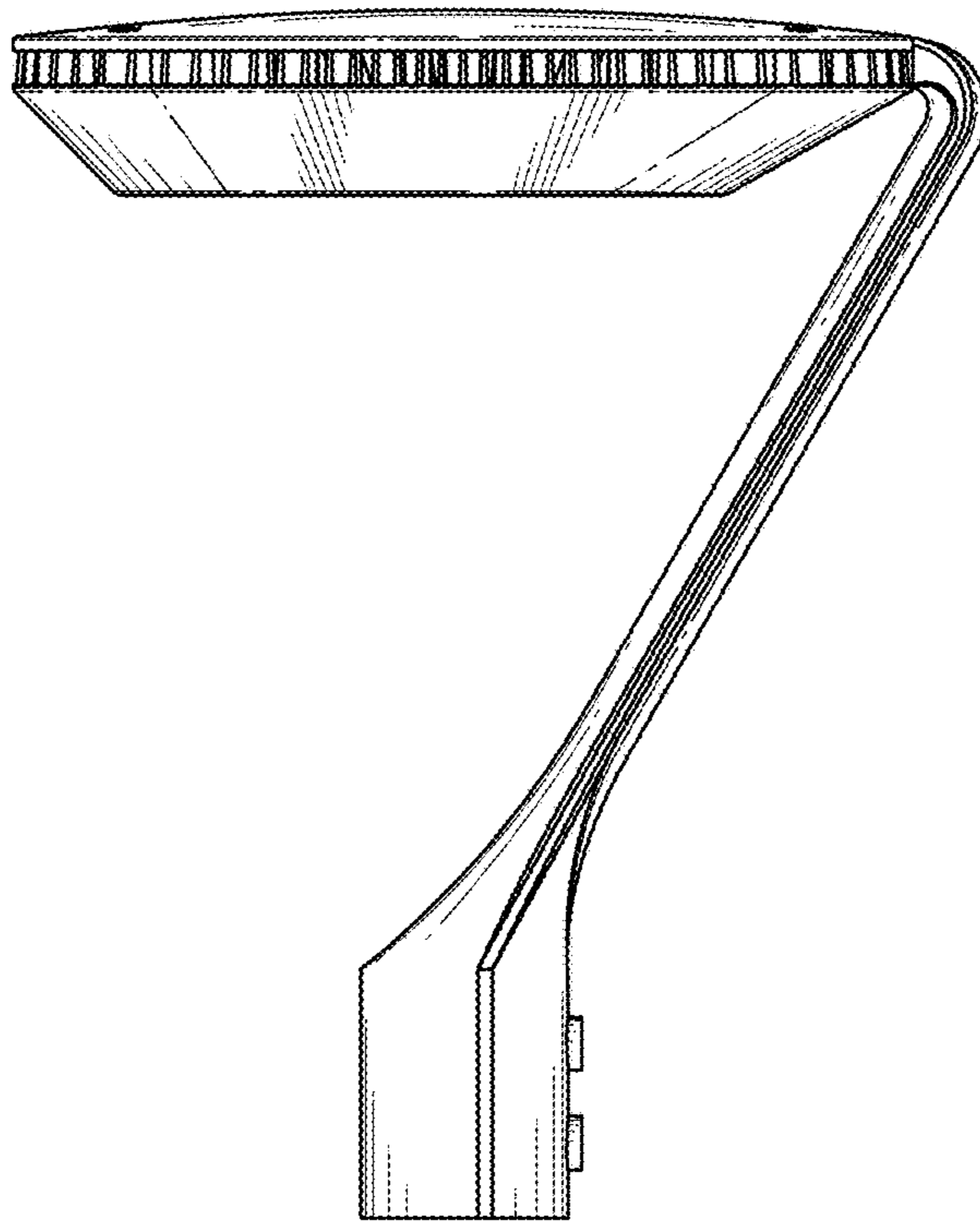


FIG. 2

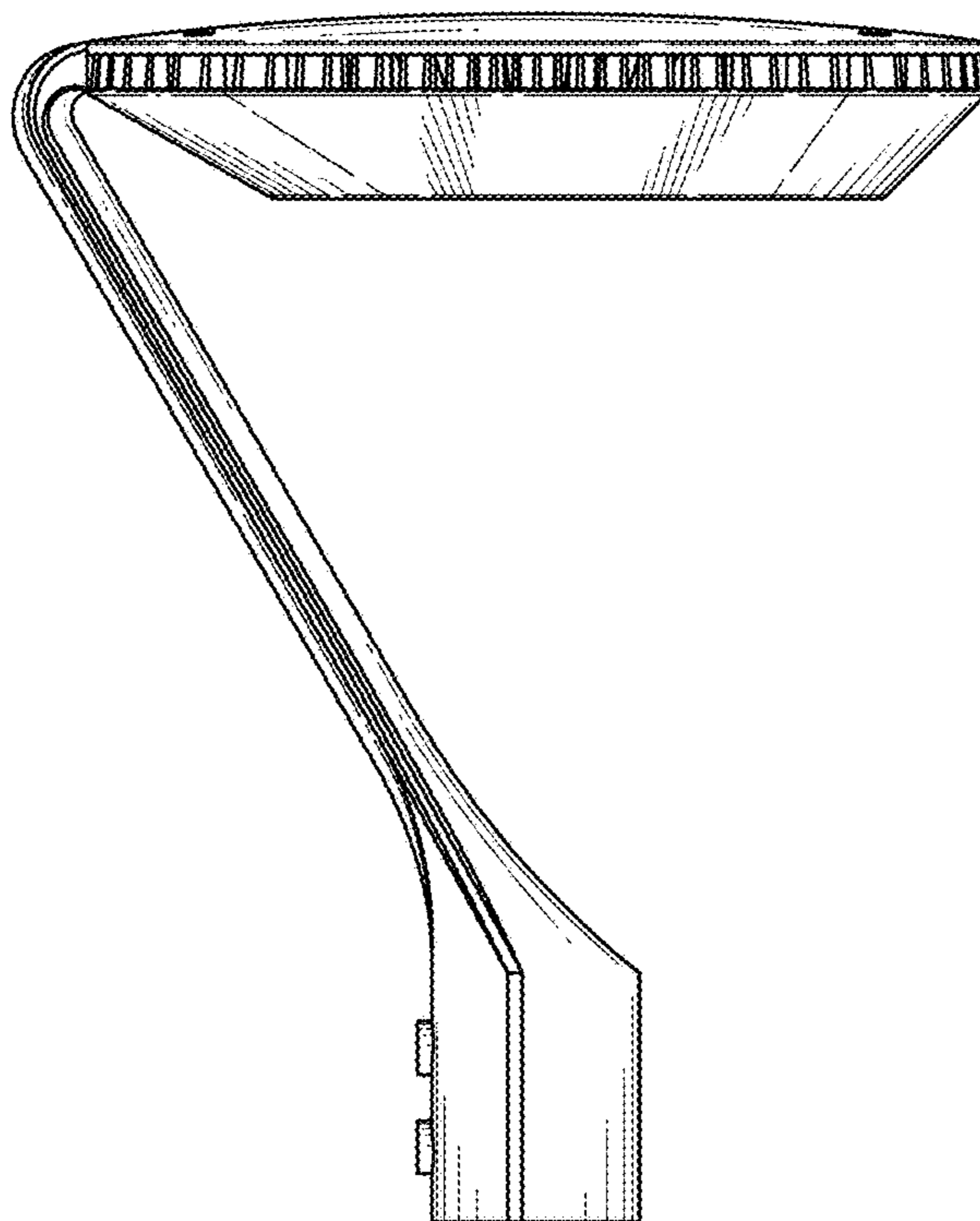


FIG. 3

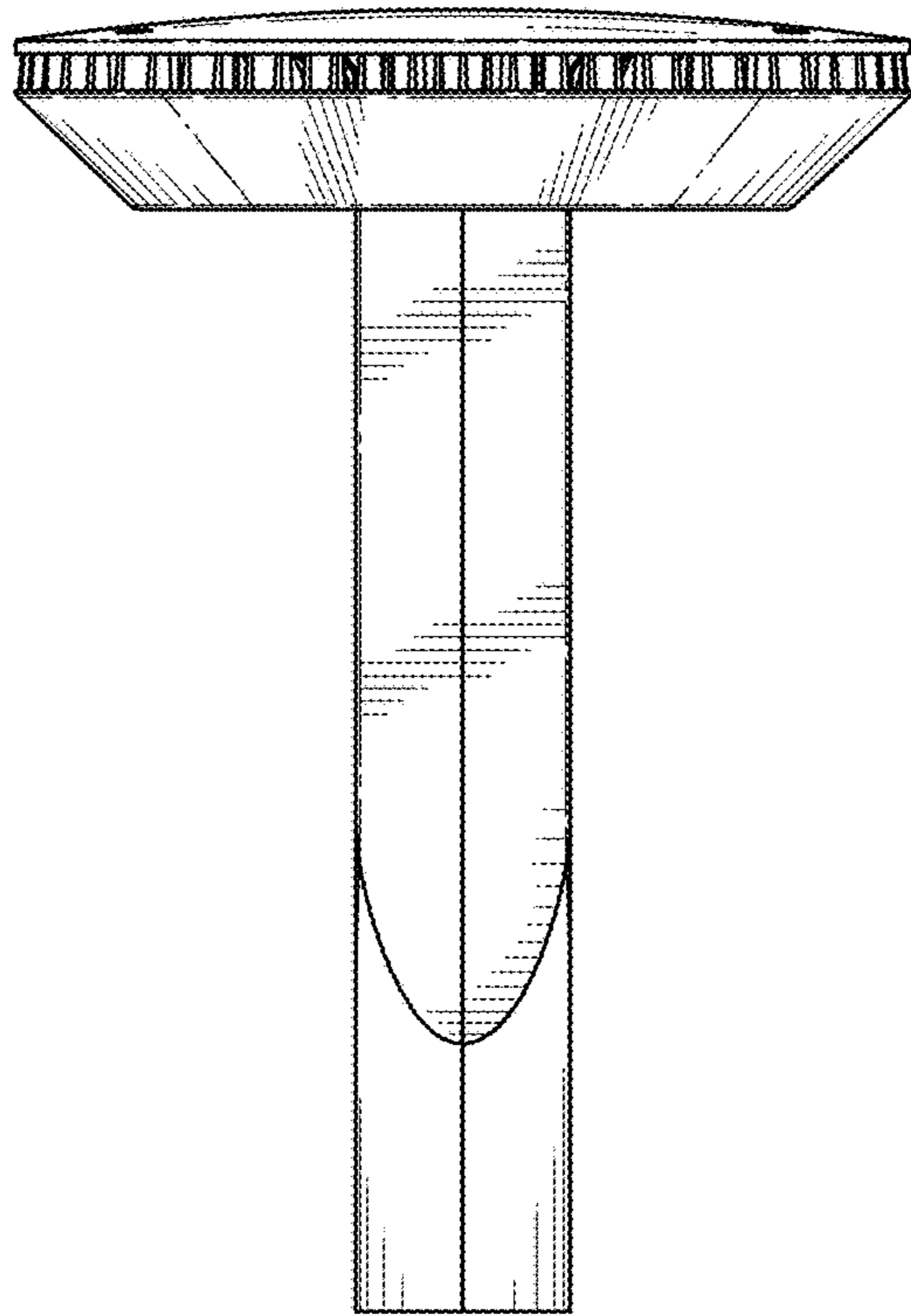


FIG. 4

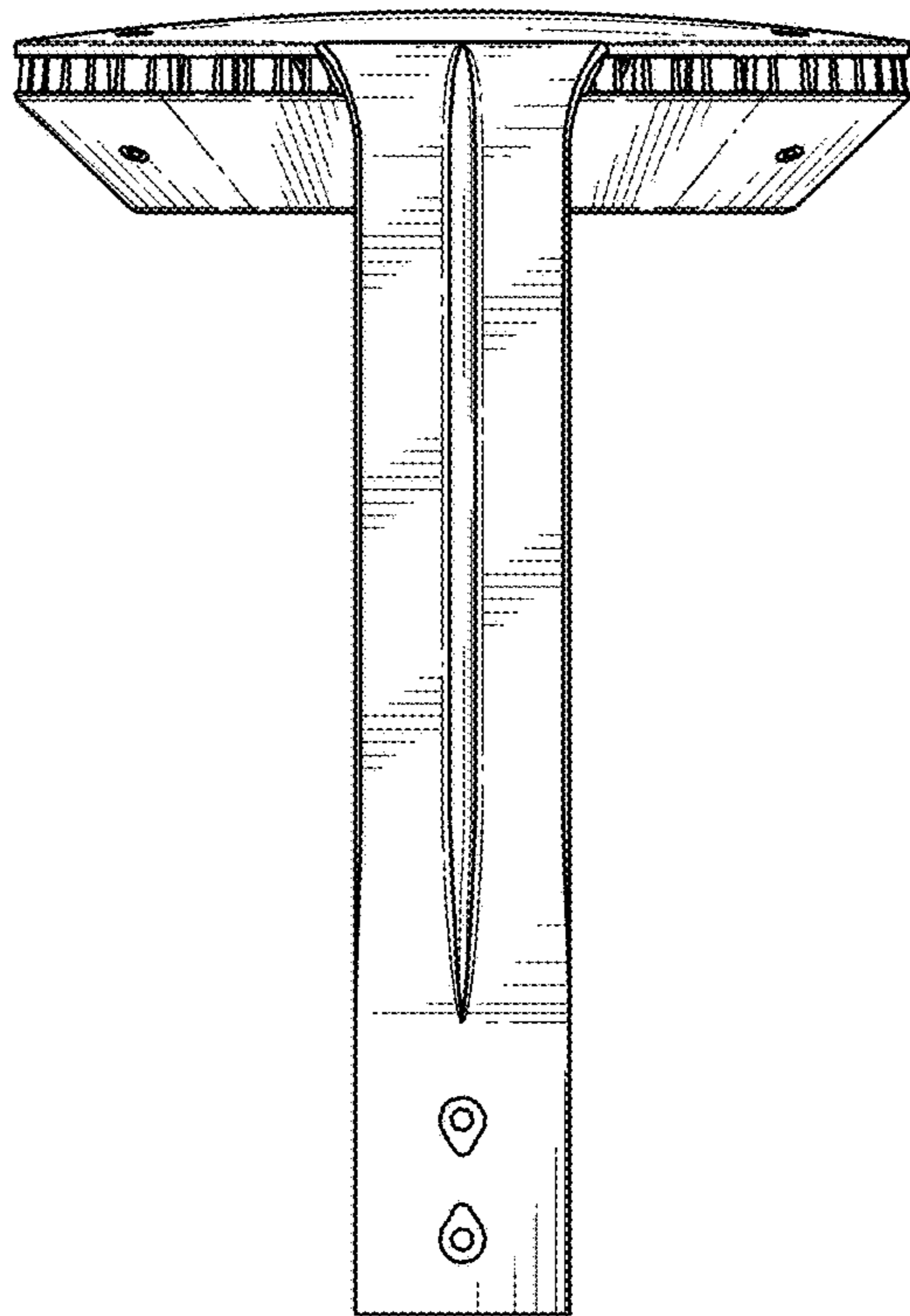


FIG. 5

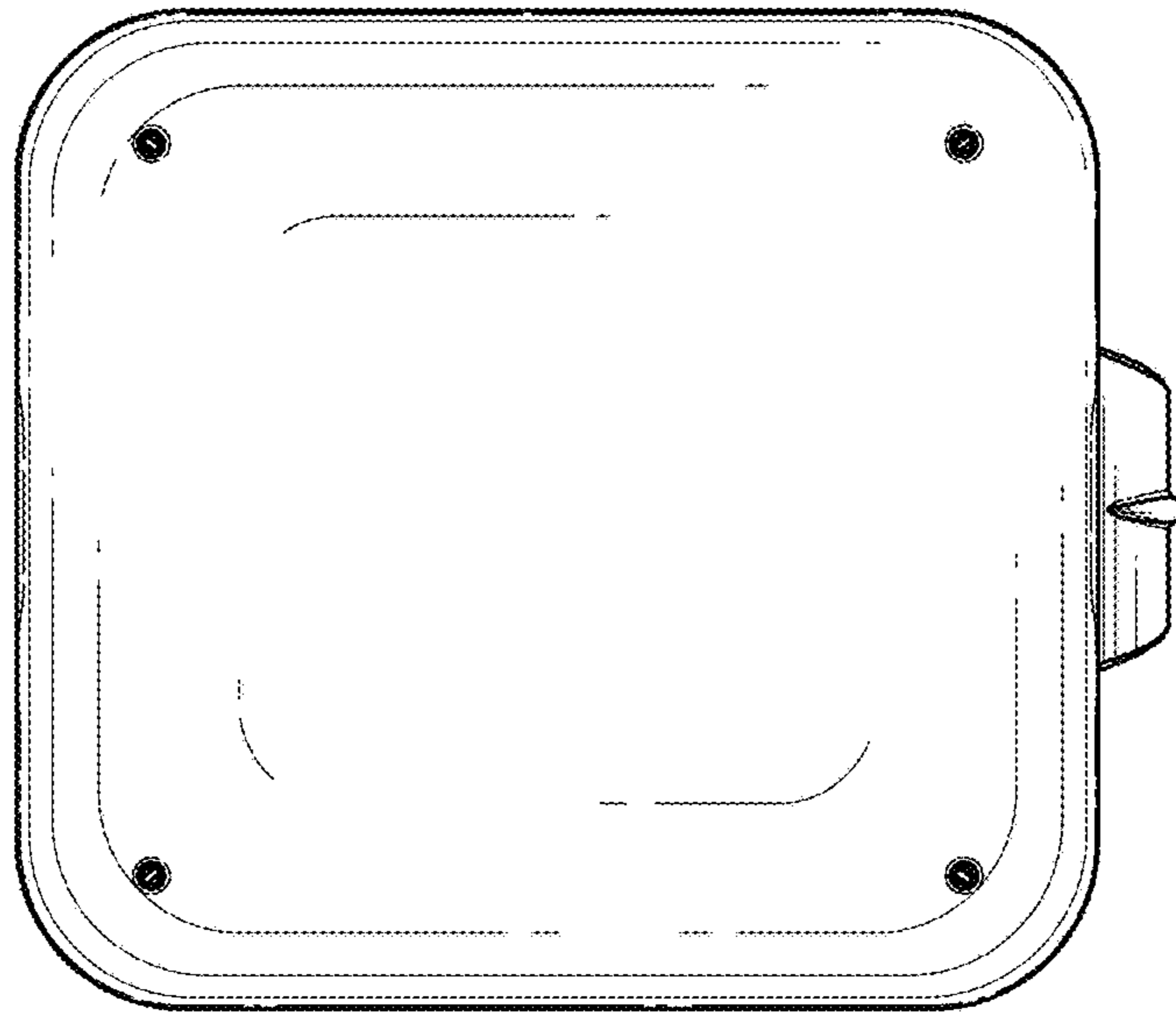


FIG. 6

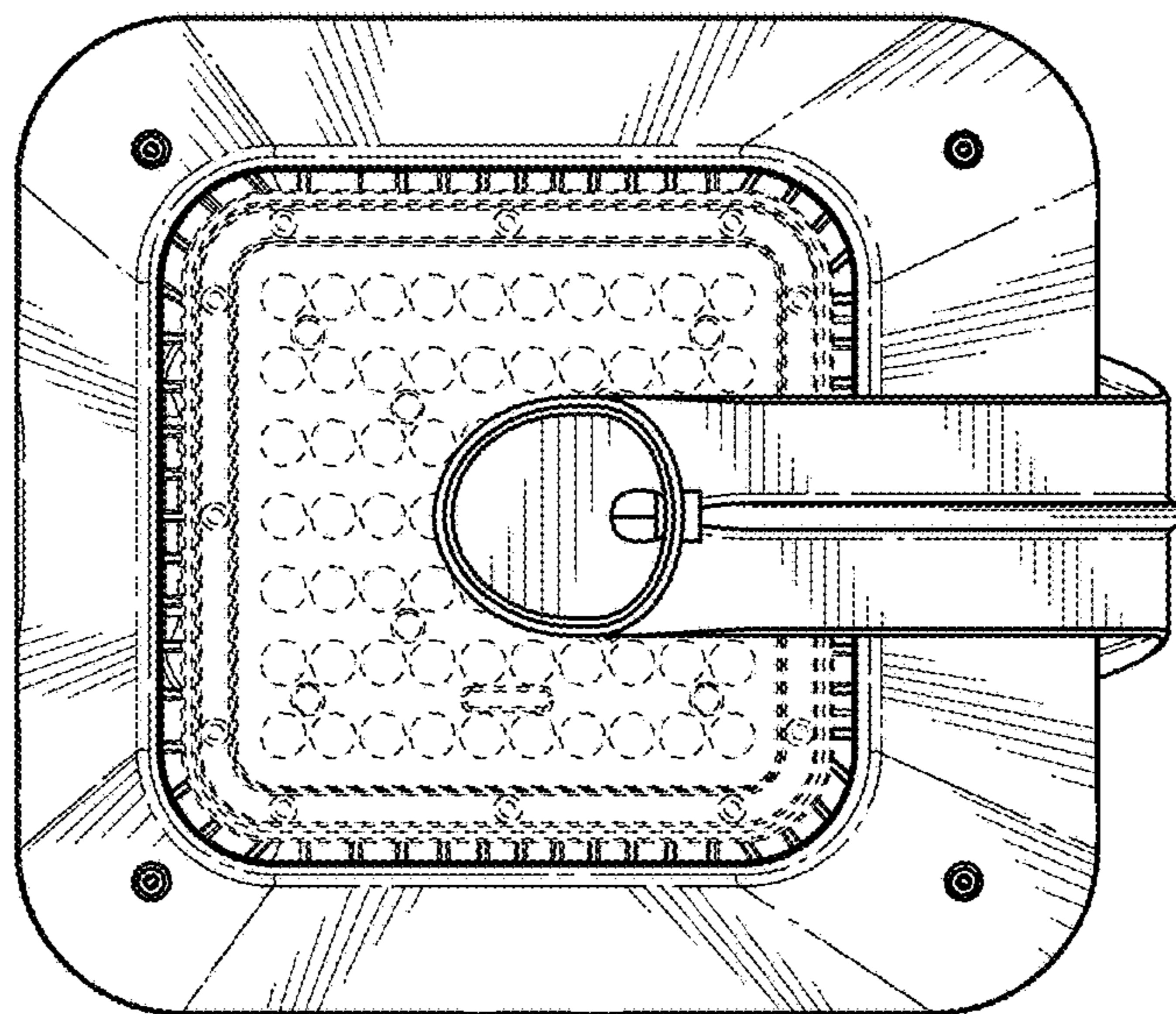


FIG. 7