



US00D836813S

(12) **United States Design Patent**
Hsu

(10) **Patent No.:** **US D836,813 S**
(45) **Date of Patent:** **** Dec. 25, 2018**

(54) **COMBINED LAMP AND ACOUSTIC DEVICE**

(71) Applicant: **Dong Guan Jia Sheng Lighting Technology Co., Ltd. China,**
Dong-Guna, Guang-Dong (CN)

(72) Inventor: **Kevin Hsu, Taichung (TW)**

(73) Assignee: **Dong Guan Jia Sheng Lighting Technology Co., Ltd. China,**
Dong-Guna (CN)

(**) Term: **15 Years**

(21) Appl. No.: **29/625,362**

(22) Filed: **Nov. 9, 2017**

(51) **LOC (11) Cl.** **26-05**

(52) **U.S. Cl.**
USPC **D26/68; D26/38**

(58) **Field of Classification Search**
USPC **D26/8, 38, 40, 51, 52, 67, 68**
See application file for complete search history.

(56) **References Cited**

U.S. PATENT DOCUMENTS

- 2,797,310 A * 6/1957 Moore F21V 1/00
362/293
- D474,553 S * 5/2003 Poon D26/40
- D476,768 S * 7/2003 Sooferian D26/67

- D479,891 S * 9/2003 Yeh D26/67
- D486,931 S * 2/2004 Lee D26/38
- D519,658 S * 4/2006 Izardel D10/111
- D535,770 S * 1/2007 Yuen D26/38
- D560,010 S * 1/2008 Kwok D26/40
- D610,283 S * 2/2010 Loibl D26/40
- D650,105 S * 12/2011 Crawford D26/41
- 8,292,452 B2 * 10/2012 Ko F21S 8/081
362/183
- 9,591,843 B2 * 3/2017 Formico A01M 1/04

* cited by examiner

Primary Examiner — Clare E Heflin

(74) *Attorney, Agent, or Firm* — Alan D. Kamrath;
Kamrath IP Lawfirm, P.A.

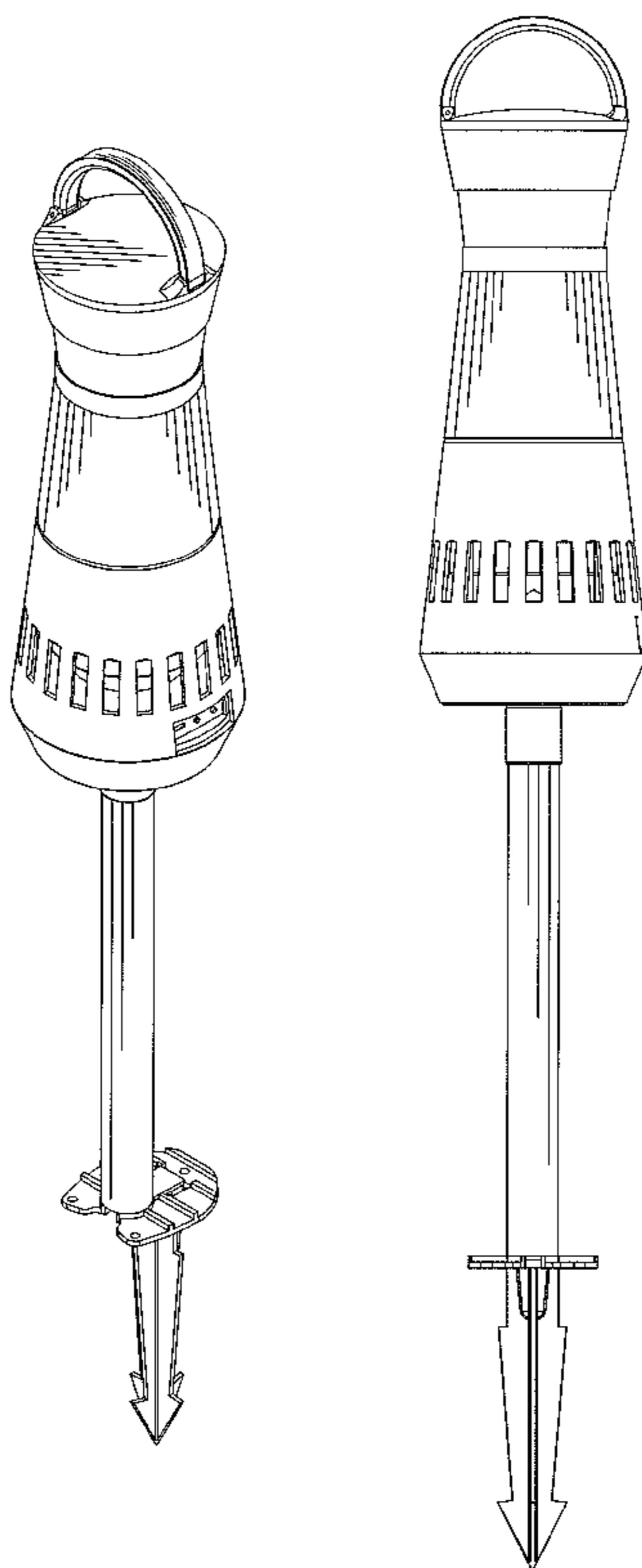
(57) **CLAIM**

The ornamental design for a combined lamp and acoustic device, as shown and described.

DESCRIPTION

FIG. 1 is a perspective view of a combined lamp and acoustic device showing my design; FIG. 2 is a front elevational view thereof; FIG. 3 is a rear elevational view thereof; FIG. 4 is a left side elevational view thereof; FIG. 5 is a right side elevational view thereof; FIG. 6 is a top plan view thereof; and, FIG. 7 is a bottom plan view thereof.

1 Claim, 6 Drawing Sheets



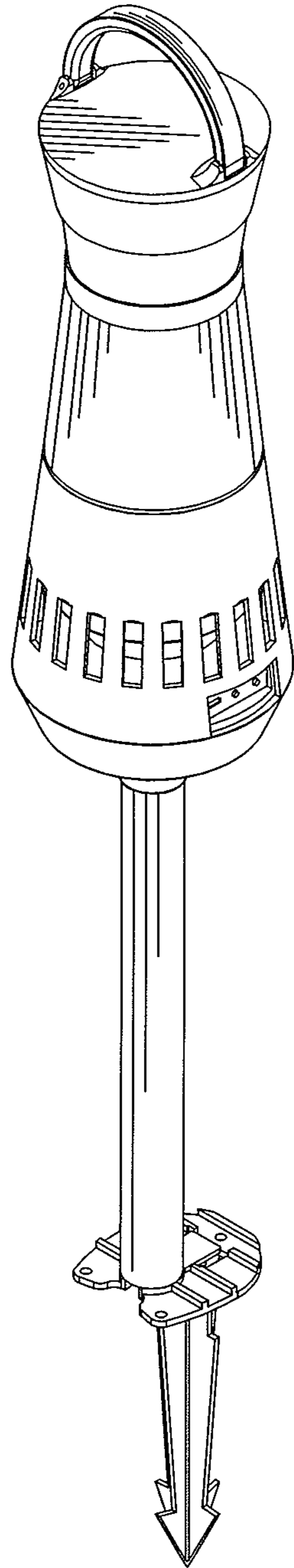


FIG. 1

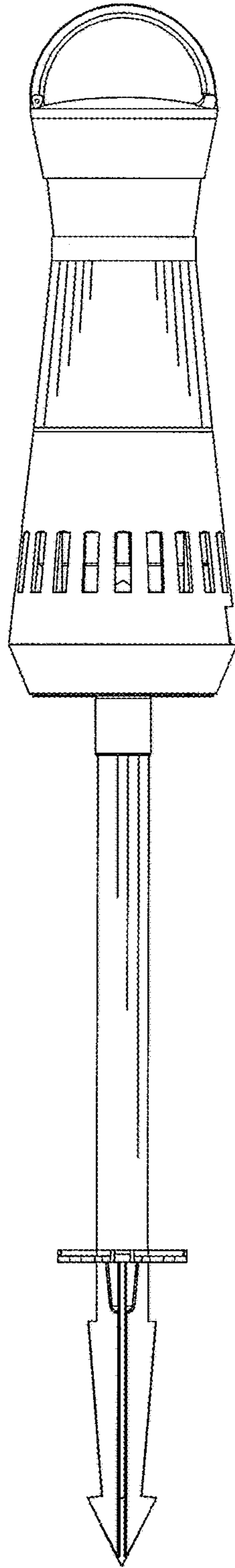


FIG. 2

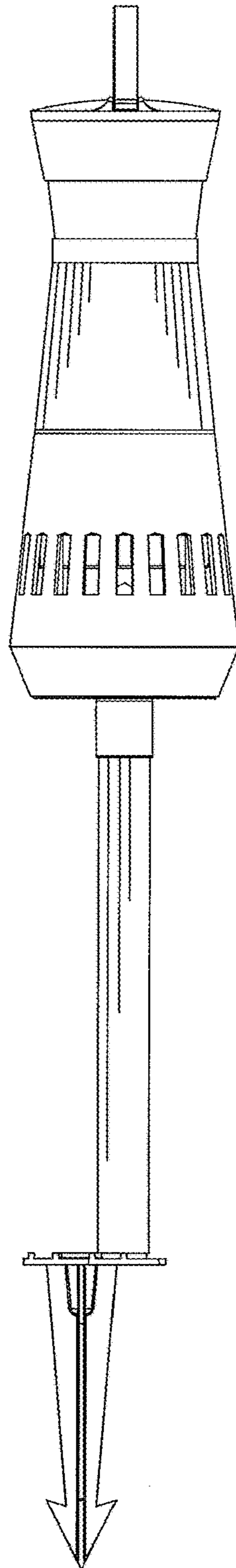


FIG. 3

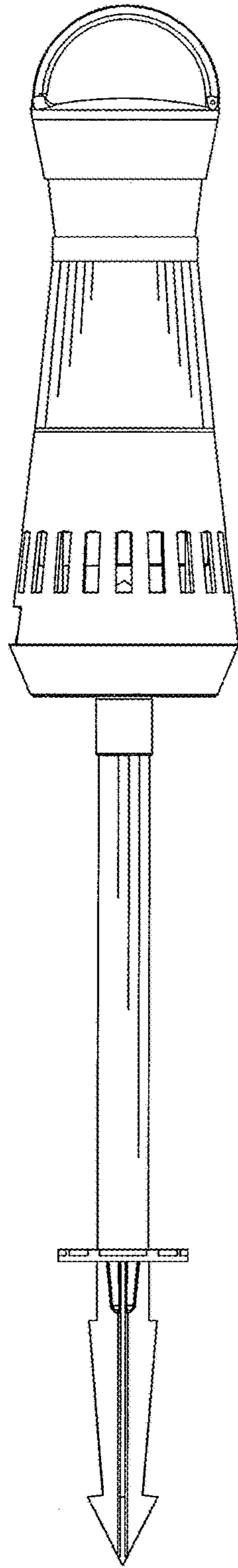


FIG. 4

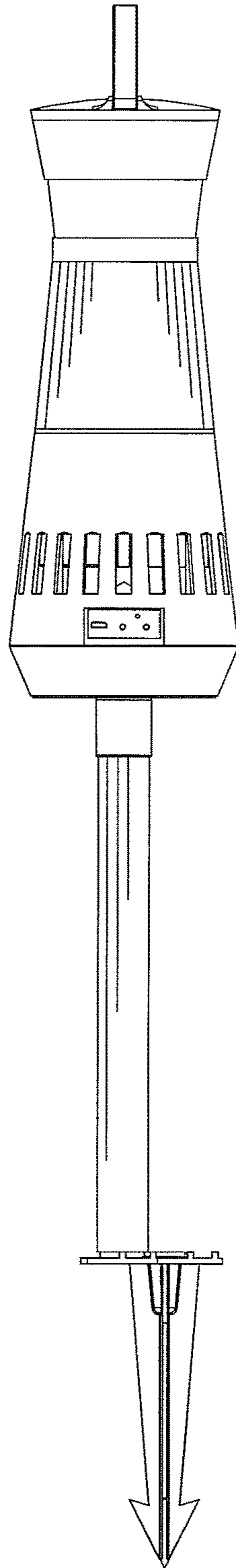


FIG. 5

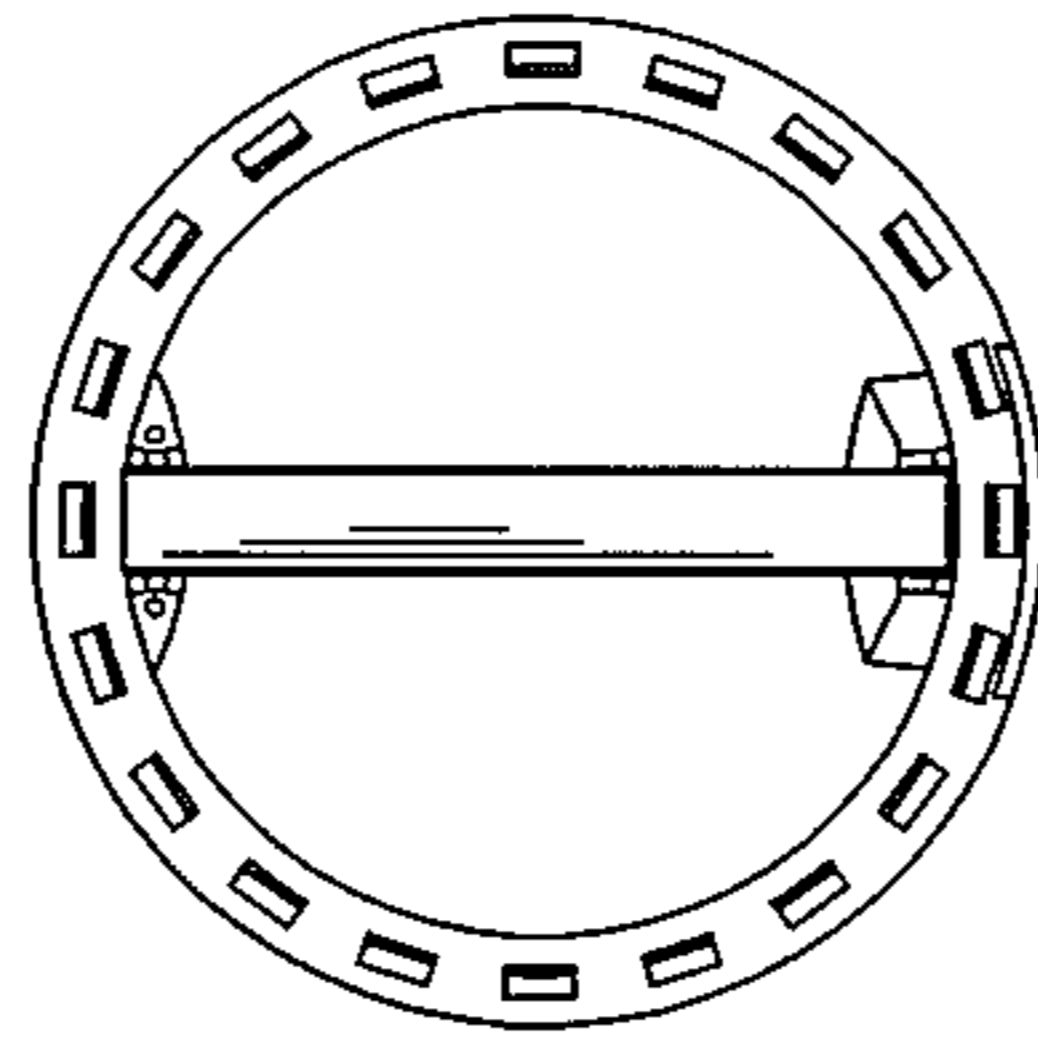


FIG. 6

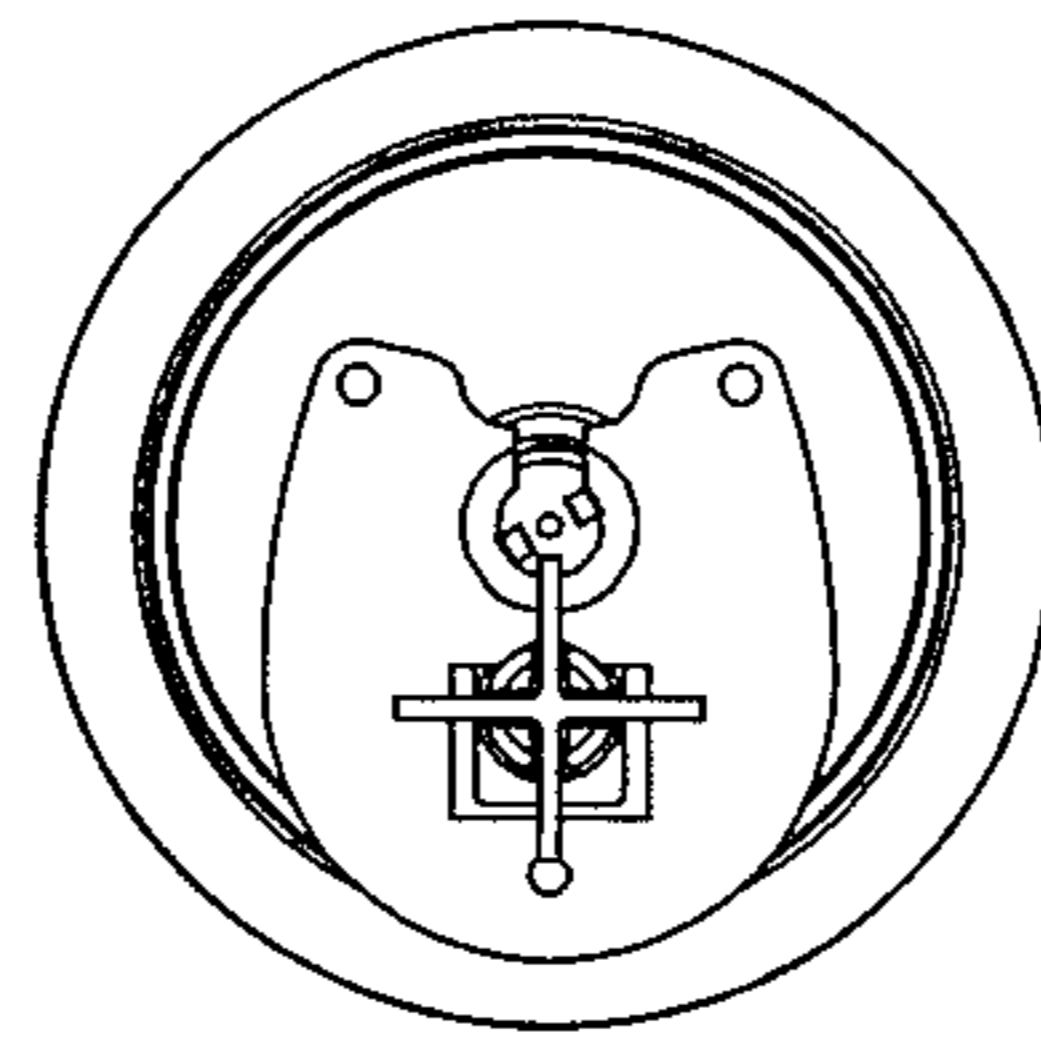


FIG. 7