



US00D836812S

(12) **United States Design Patent**  
**Ahrari et al.**

(10) **Patent No.:** **US D836,812 S**  
(45) **Date of Patent:** **\*\* Dec. 25, 2018**

(54) **ILLUMINATING BOLLARD**  
(71) Applicant: **Hubbell Incorporated**, Shelton, CT (US)  
(72) Inventors: **Armin Ahrari**, Chino, CA (US); **Carol Acedo**, Fort Worth, TX (US); **David Dutra**, Santa Ana, CA (US); **Kevin Lu**, Fountain Valley, CA (US); **Dean Dal Ponte**, Glendale, CA (US); **Syed Raza**, Rancho Palos Verdes, CA (US); **Robert Nankil**, Fullerton, CA (US)

(73) Assignee: **Hubbell Incorporated**, Shelton, CT (US)

(\*\*) Term: **15 Years**

(21) Appl. No.: **29/602,962**

(22) Filed: **May 5, 2017**

(51) **LOC (11) Cl.** ..... **26-05**

(52) **U.S. Cl.**  
USPC ..... **D26/68**

(58) **Field of Classification Search**  
USPC ..... D26/67-71, 92  
CPC .... F21S 6/005; F21S 8/032; F21S 8/08; F21S 8/081; F21S 8/083; F21S 8/085; F21S 8/086; F21S 9/035; F21S 9/037; F21V 33/006; F21W 2111/02; F21W 2111/023; F21W 2131/103; F21W 2131/109  
See application file for complete search history.

(56) **References Cited**

U.S. PATENT DOCUMENTS

3,836,767 A \* 9/1974 Lasker ..... F21S 8/083  
362/217.07  
D439,000 S \* 3/2001 Landefeld ..... D26/68  
D540,970 S \* 4/2007 Chen ..... D26/67  
D560,015 S \* 1/2008 Richmond ..... D26/68  
D590,086 S \* 4/2009 Laporta ..... D26/67

8,672,505 B1 \* 3/2014 Hogan ..... F21S 9/037  
362/182  
8,845,126 B1 \* 9/2014 Martzall ..... F21S 8/022  
362/183  
2002/0148183 A1 \* 10/2002 Grant ..... F21S 8/081  
52/300  
2005/0247920 A1 \* 11/2005 Burkart ..... E04H 17/20  
256/1  
2006/0109667 A1 \* 5/2006 Flaherty ..... F21S 8/083  
362/431  
2006/0176684 A1 \* 8/2006 Richmond ..... F21S 9/037  
362/153

(Continued)

OTHER PUBLICATIONS

The Macgraw-Edison BSC/BRC Bollard from Cooper Industries. Spec.Sheet dated May 2, 2018. (Year: 2018).\*

(Continued)

Primary Examiner — Clare E Hefflin

(74) Attorney, Agent, or Firm — Michael Best & Friedrich, LLP

(57) **CLAIM**

We claim the ornamental design for an illuminating bollard, as shown and described.

**DESCRIPTION**

FIG. 1 is an upper perspective view of an illuminating bollard showing the new design.

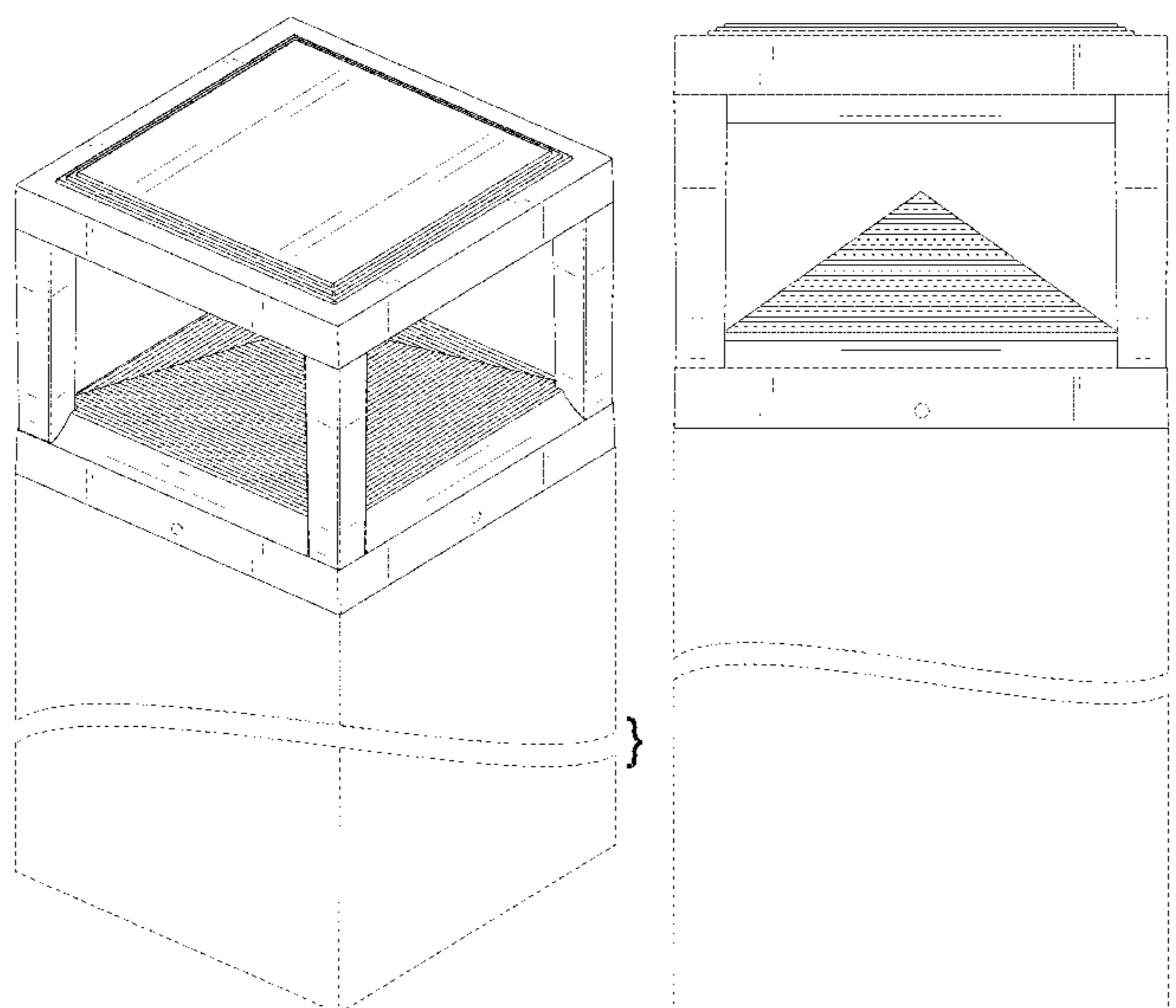
FIG. 2 is a side elevation view of the illuminating bollard shown in FIG. 1.

FIG. 3 is a plan view of the illuminating bollard shown in FIG. 1; and,

FIG. 4 is a lower perspective view of the illuminating bollard shown in FIG. 1.

The elements shown in broken lines are included for the purpose of illustrating portions of the illuminating bollard that form no part of the claimed design.

**1 Claim, 4 Drawing Sheets**



(56)

**References Cited**

U.S. PATENT DOCUMENTS

2015/0338040 A1\* 11/2015 Swope ..... F21S 8/083  
362/183  
2016/0040841 A1\* 2/2016 Martzall ..... F21V 23/04  
362/183

OTHER PUBLICATIONS

Antique Street Lamps / Resonance Bollard Model No. TLRCB10  
LED from Acuity Brands Lighting (c)2012 (Year: 2012).\*  
“Wiremold—Outdoor Charging Station,” Legrand Electrical Wiring  
Systems, 2016 (2 pages).

\* cited by examiner

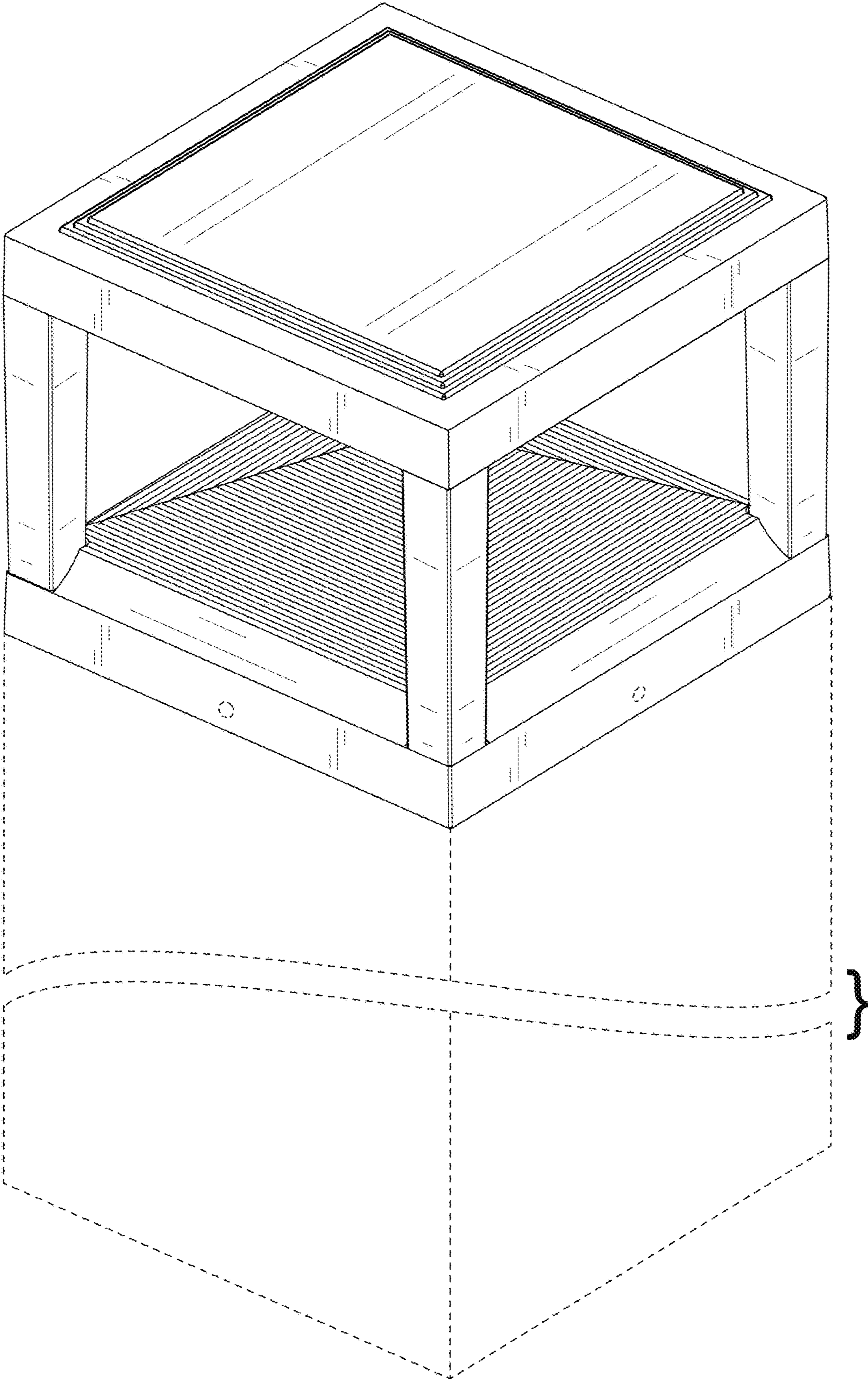
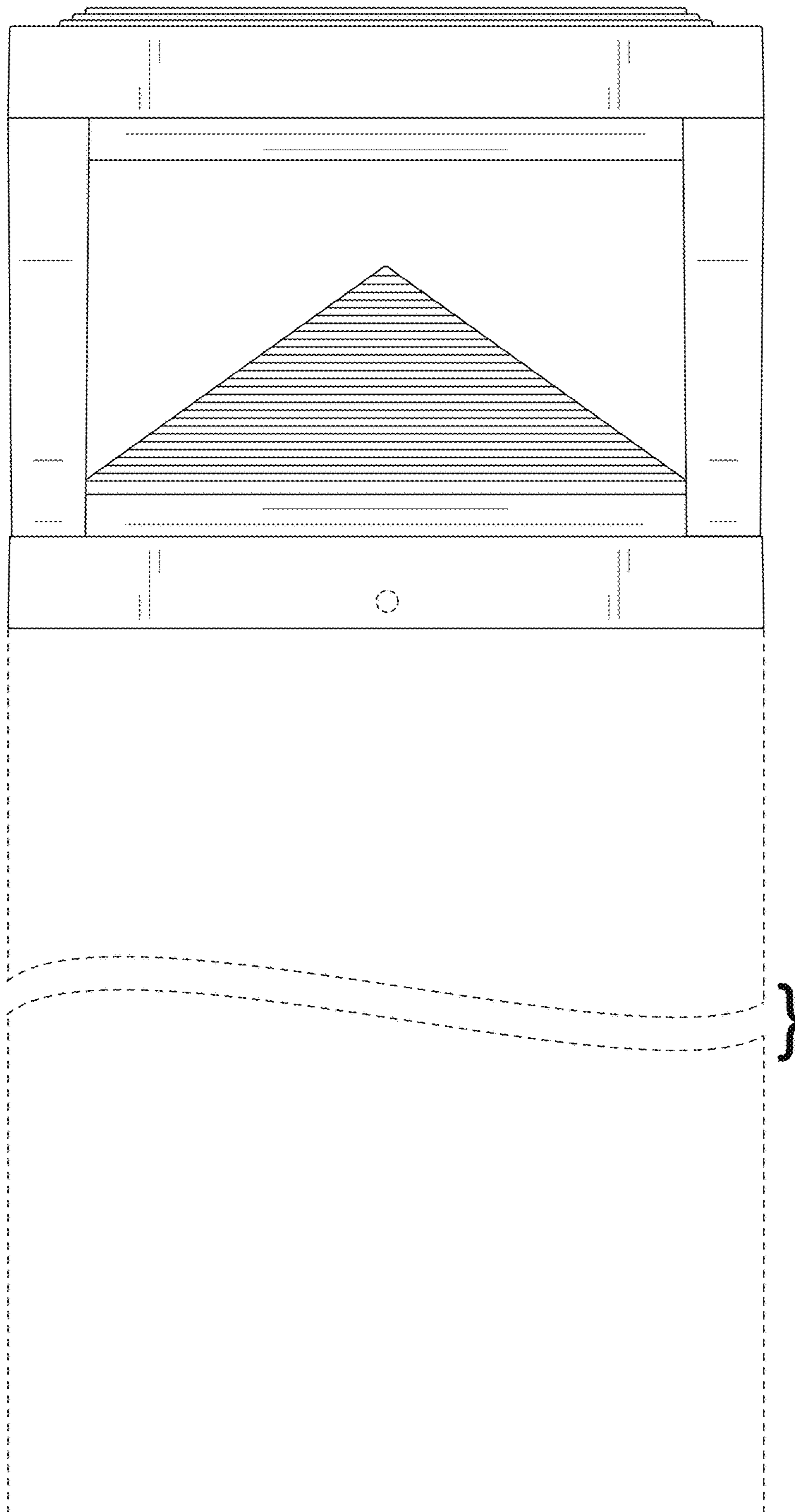
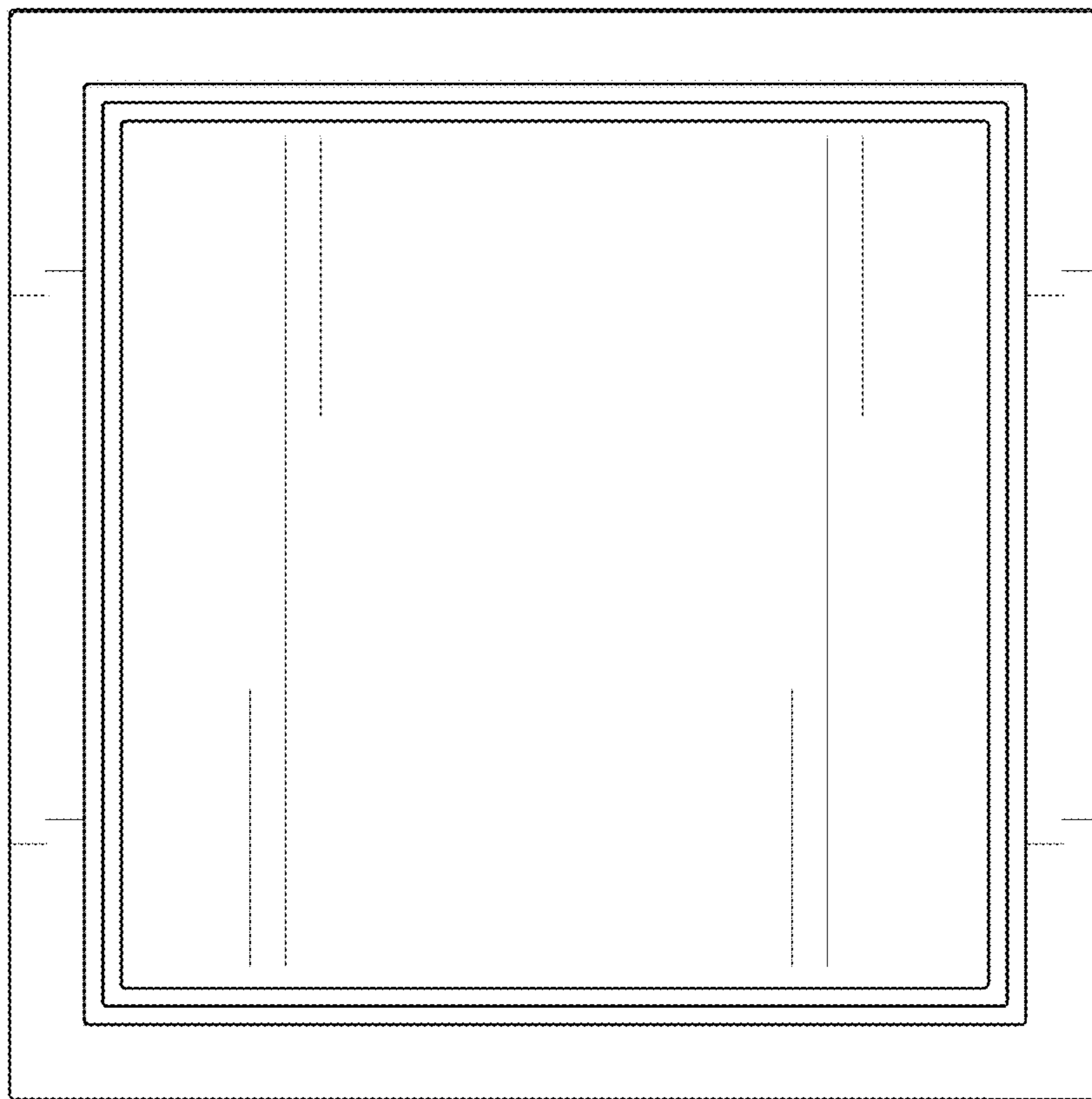


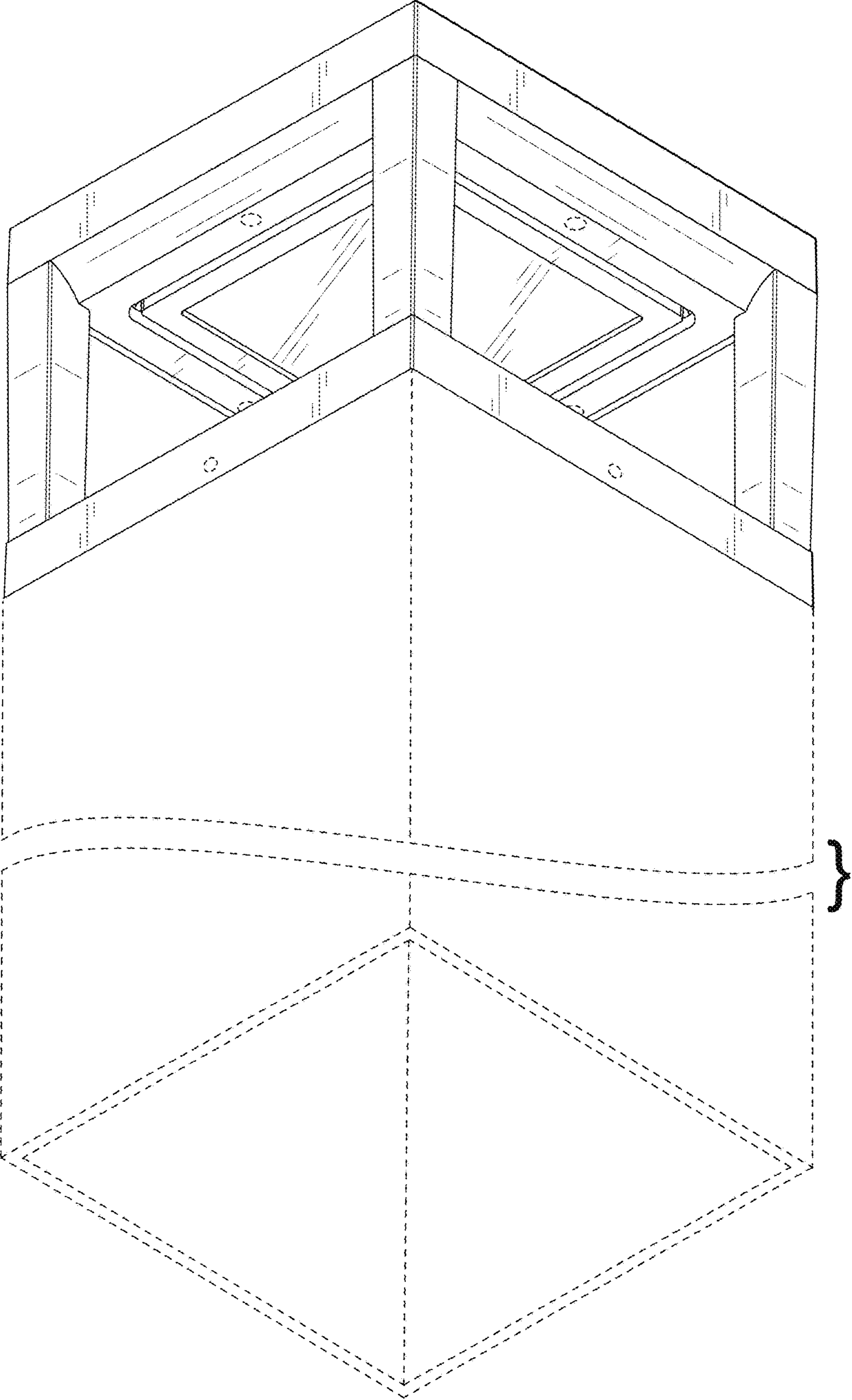
FIG. 1



**FIG. 2**



**FIG. 3**



**FIG. 4**