



US00D836811S

(12) **United States Design Patent**  
**Shundong**

(10) **Patent No.:** **US D836,811 S**

(45) **Date of Patent:** **\*\* Dec. 25, 2018**

(54) **POST TOP LIGHT**

(71) Applicant: **Above All Lighting Inc.**, Toms River, NJ (US)

(72) Inventor: **Liu Shundong**, Shanghai (CN)

(73) Assignee: **Above All Lighting, Inc.**, Toms River, NJ (US)

(\*\*) Term: **15 Years**

(21) Appl. No.: **29/593,068**

(22) Filed: **Feb. 6, 2017**

(51) **LOC (11) Cl.** ..... **26-05**

(52) **U.S. Cl.**  
USPC ..... **D26/67**

(58) **Field of Classification Search**  
USPC ..... D10/104.1, 106.1, 106.6, 106.8;  
D25/133, 135, 136; D26/10, 37, 38, 40,  
D26/51, 60, 67, 68, 72, 76, 78, 82, 85,  
D26/86, 104, 106, 145  
CPC ..... F21S 8/00; F21S 8/02; F21S 8/04; F21S  
8/003; F21S 8/006; F21S 6/00; F21S  
9/022; F21S 9/037  
See application file for complete search history.

(56) **References Cited**

**U.S. PATENT DOCUMENTS**

D475,801 S *	6/2003	Stewart	.....	D26/67
D592,342 S *	5/2009	Kinnune	.....	D26/67
D615,682 S *	5/2010	van Klinken	.....	D26/67
D672,076 S *	12/2012	Guercio	.....	D26/70
D688,408 S *	8/2013	Wung	.....	D26/72
8,845,152 B2 *	9/2014	Butler	.....	F21V 21/06 362/431
D718,892 S *	12/2014	Kim	.....	D26/24
D727,549 S *	4/2015	Wang	.....	D26/85
D745,733 S *	12/2015	Duquette	.....	D26/67

D752,798 S *	3/2016	Righetto	.....	D26/67
D800,364 S *	10/2017	Lee	.....	D26/67
D811,642 S *	2/2018	Liang	.....	D26/72
D822,253 S *	7/2018	Wu	.....	D26/68

**OTHER PUBLICATIONS**

Above All Lighting youtube video (published online Jul. 10, 2017)  
Retrieved from the internet Jul. 31, 2018 from URL: [www.youtube.com/watch?v=11ZXAtG4nw&feature=voutu.be](http://www.youtube.com/watch?v=11ZXAtG4nw&feature=voutu.be).\*

\* cited by examiner

*Primary Examiner* — Kevin K Rudzinski

*Assistant Examiner* — Richard Kearney

(74) *Attorney, Agent, or Firm* — McCarter & English, LLP

(57) **CLAIM**

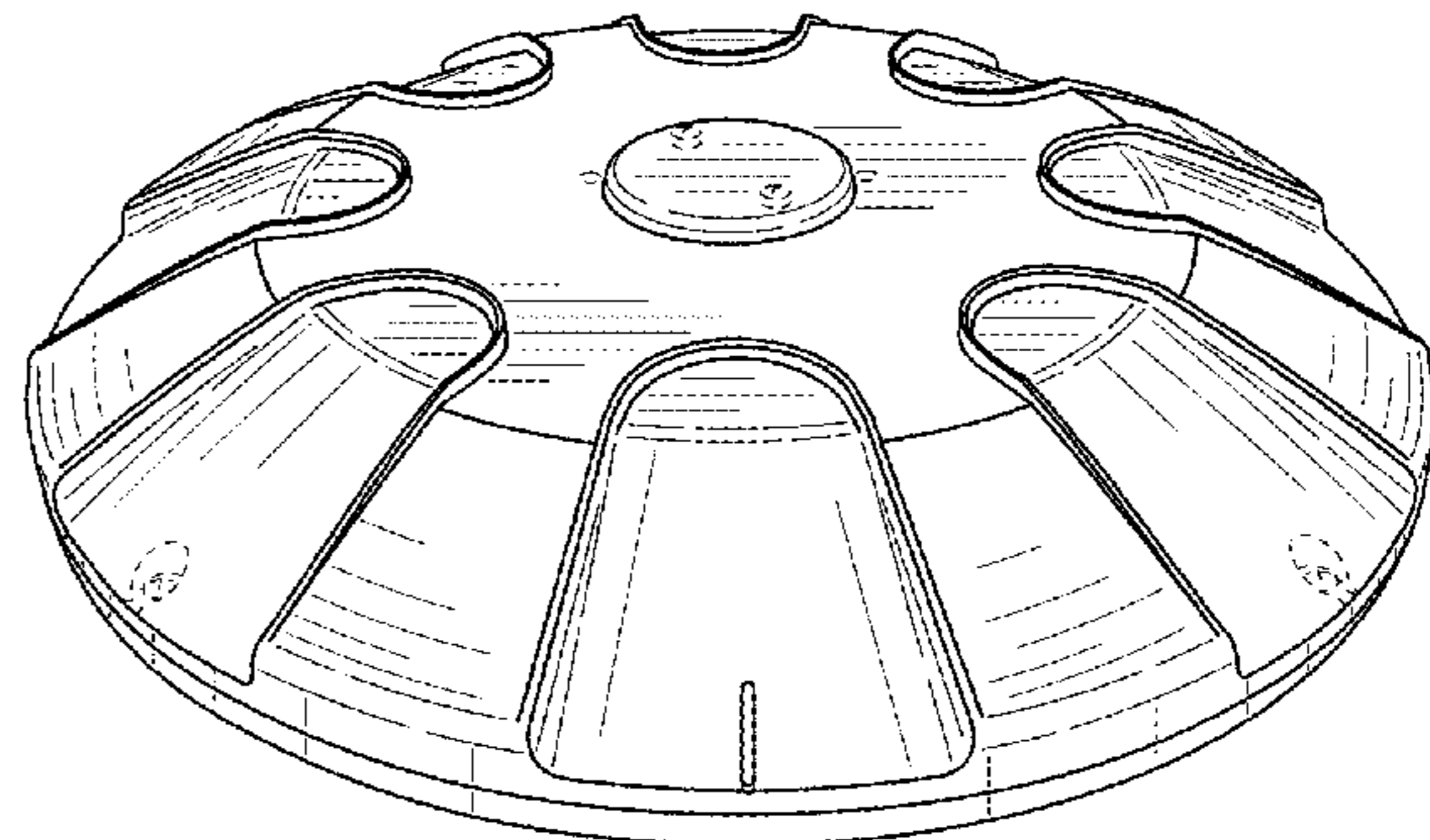
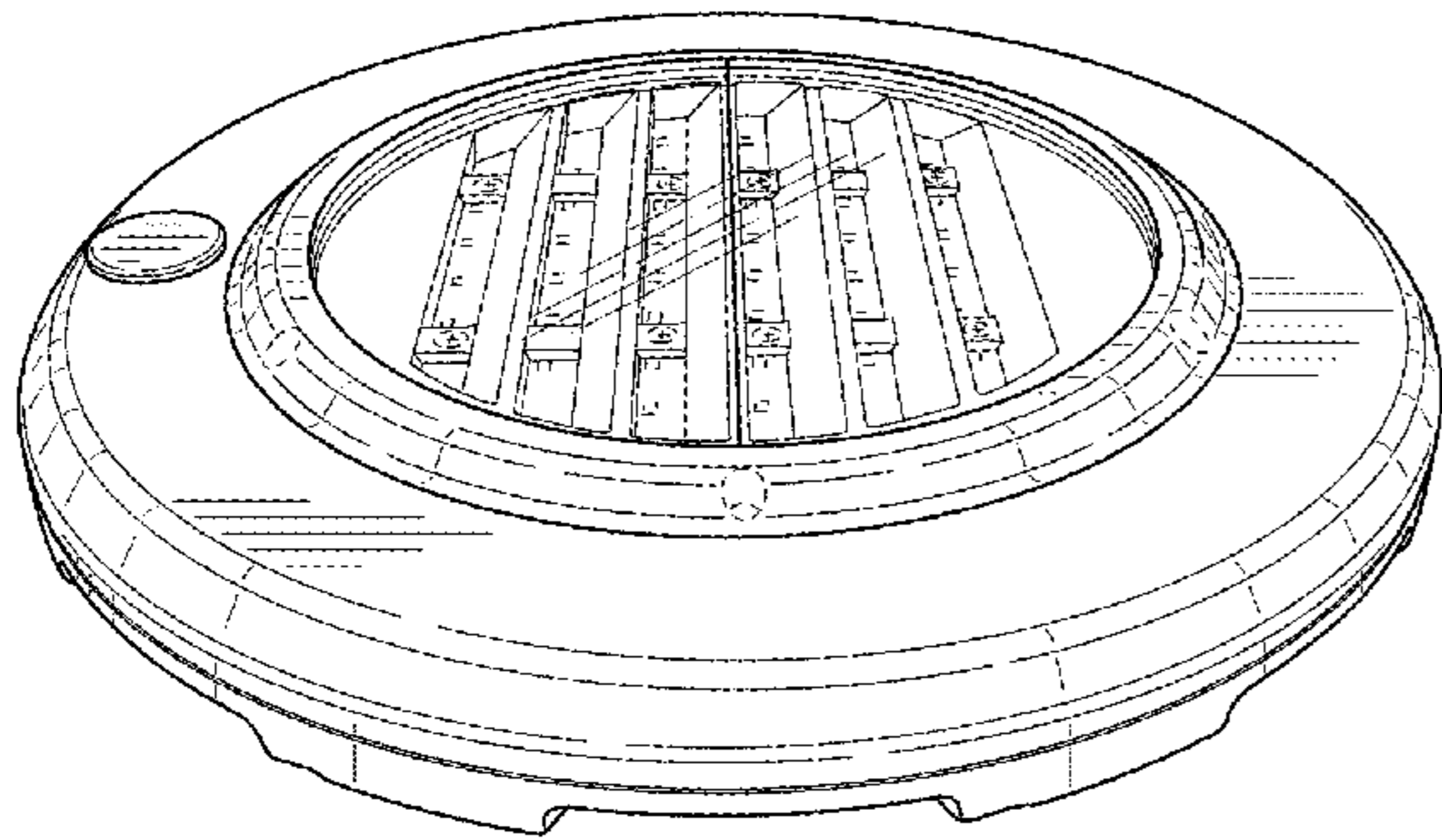
The ornamental design for a post top light, as shown and described.

**DESCRIPTION**

FIG. 1 is a first perspective view of a post top light showing the top and the front;  
FIG. 2 is a second perspective view of the post top light of FIG. 1 showing the bottom and the right side;  
FIG. 3 is a top plan view of the post top light of FIG. 1;  
FIG. 4 is a bottom plan view of the post top light of FIG. 1;  
FIG. 5 is a left side elevational view of the post top light of FIG. 1;  
FIG. 6 is a right side elevational view of the post top light of FIG. 1;  
FIG. 7 is a front elevational view of the post top light of FIG. 1; and,  
FIG. 8 is a rear elevational view of the post top light of FIG. 1.

The broken lines shown in the drawings illustrate portions of the post top light that form no part of the claimed design.

**1 Claim, 4 Drawing Sheets**



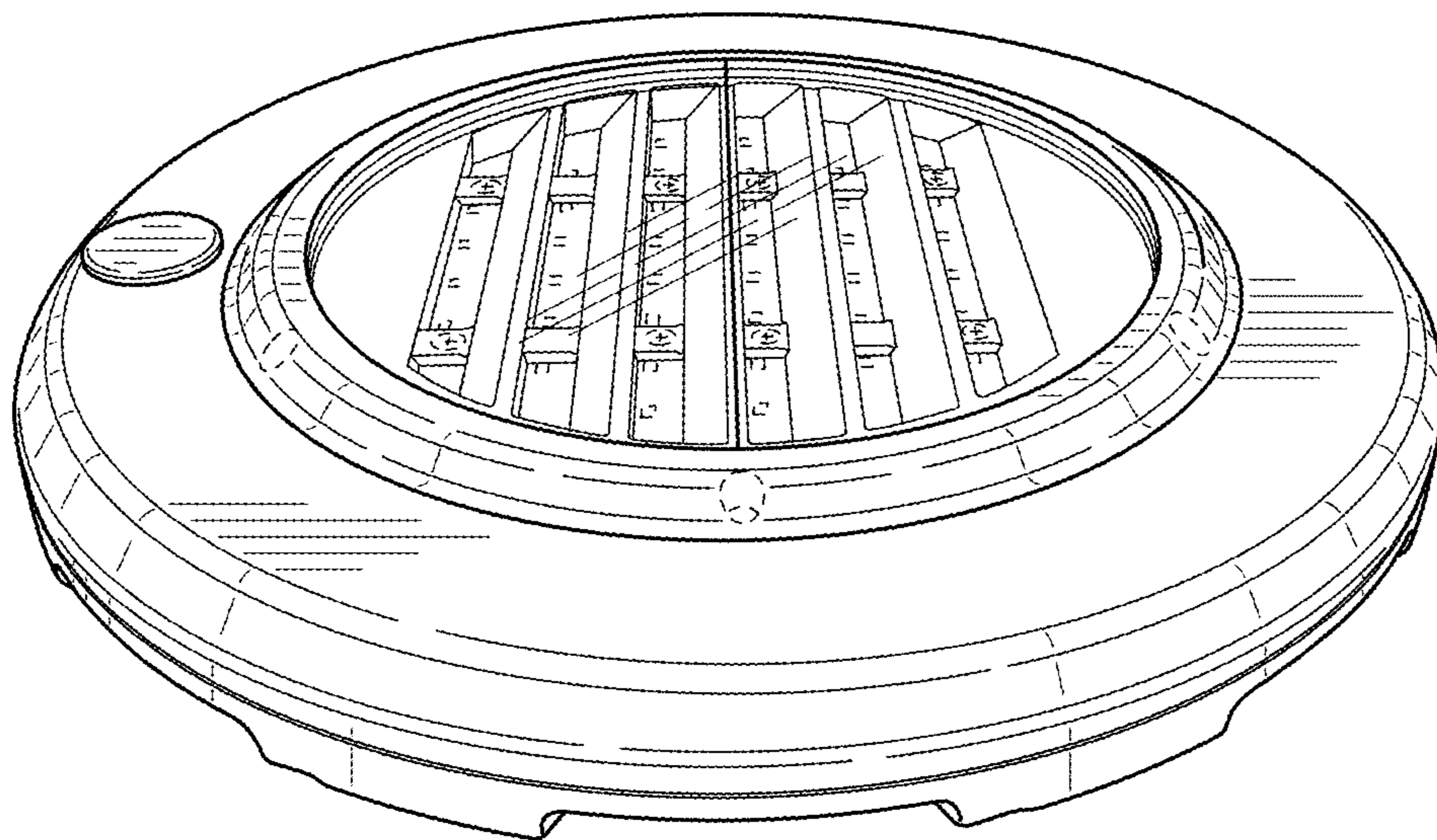


FIG. 1

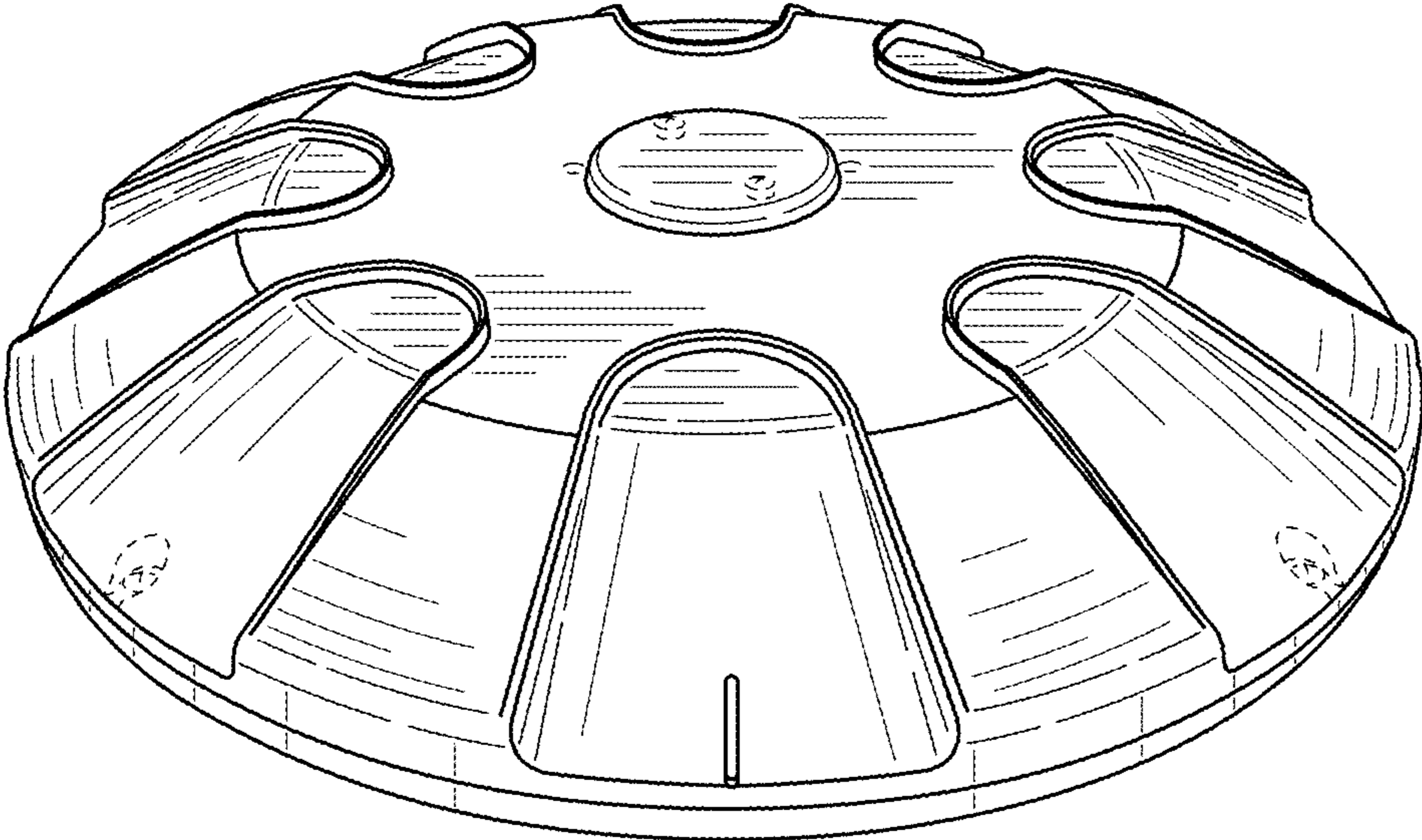


FIG. 2

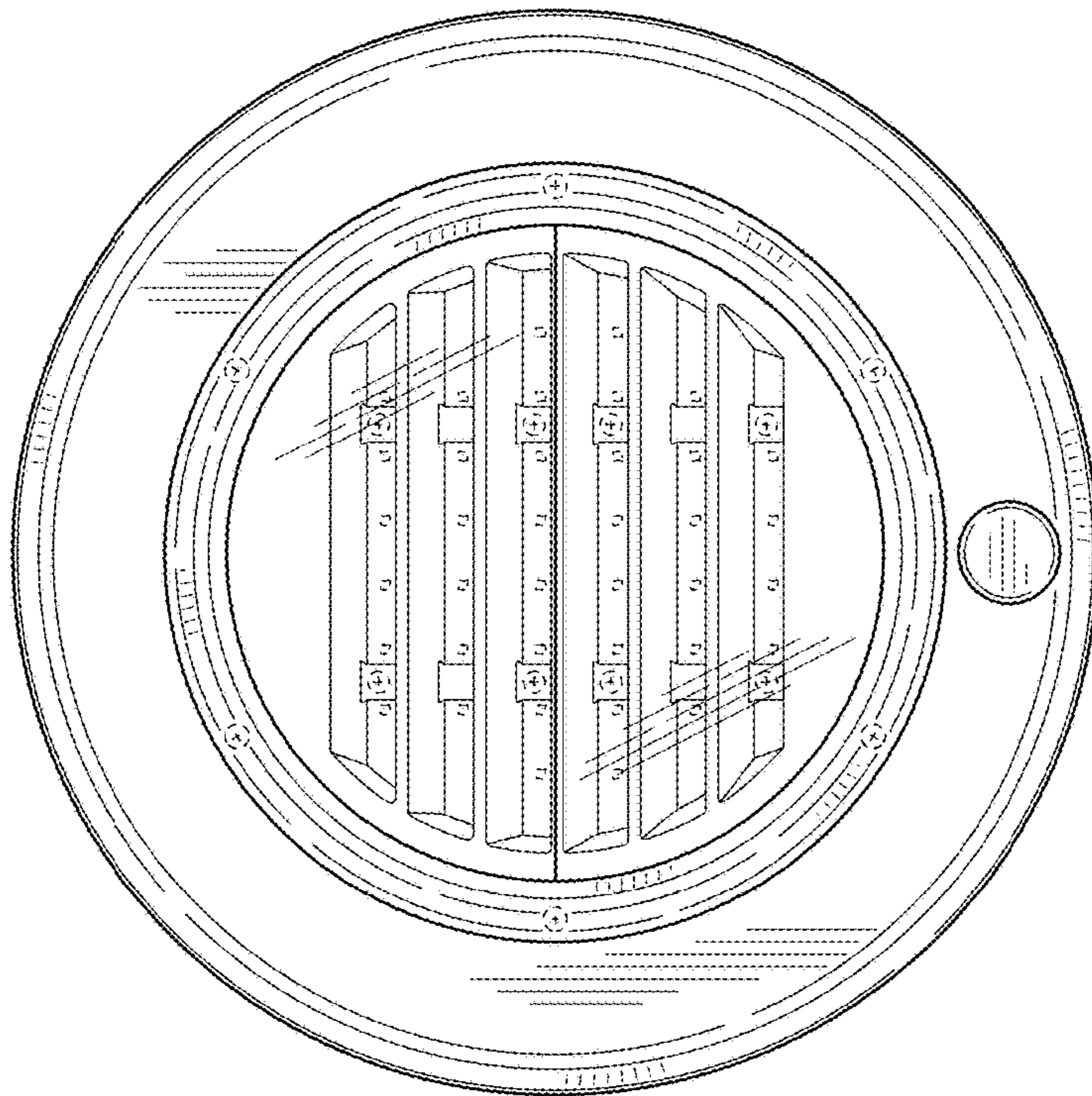


FIG. 3

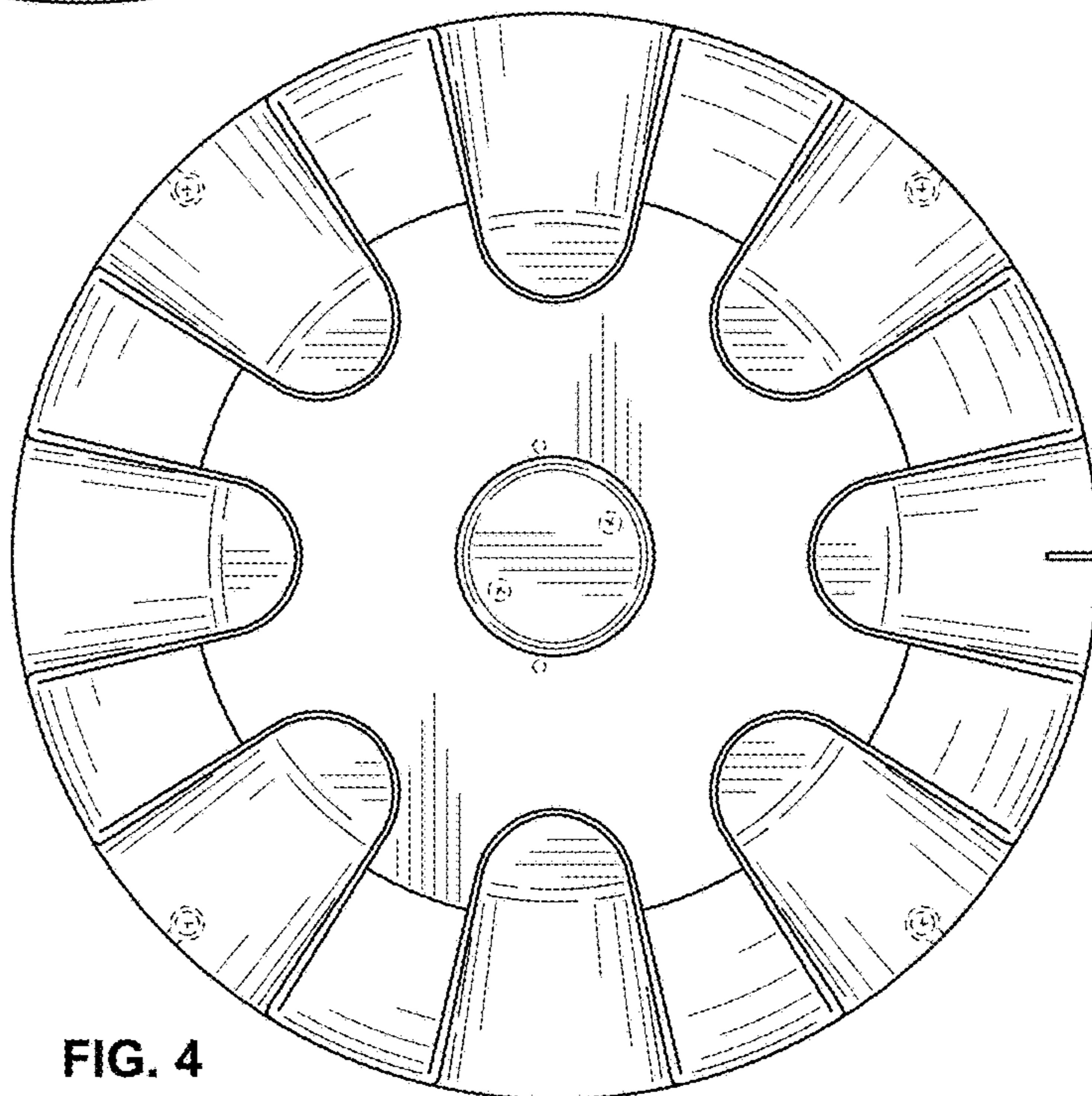


FIG. 4

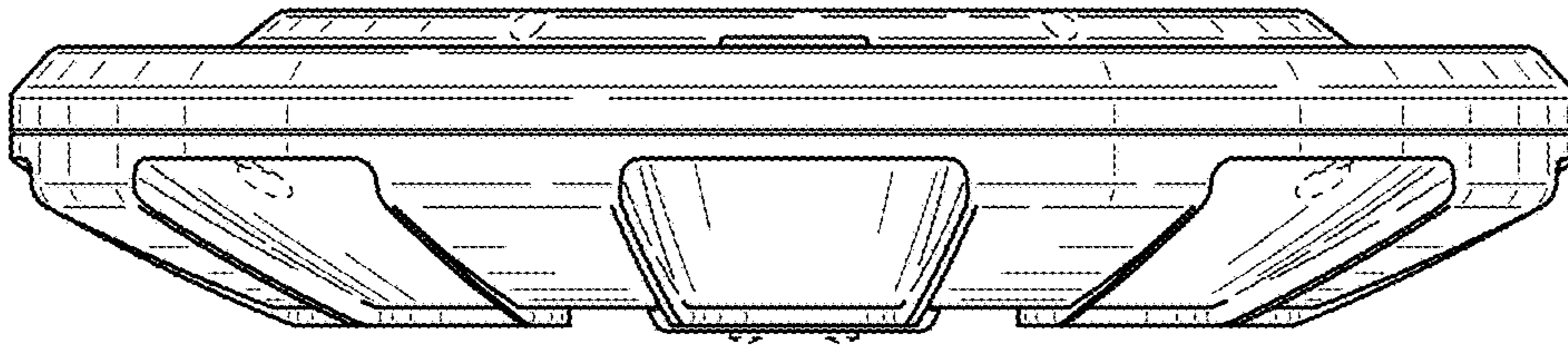


FIG. 5

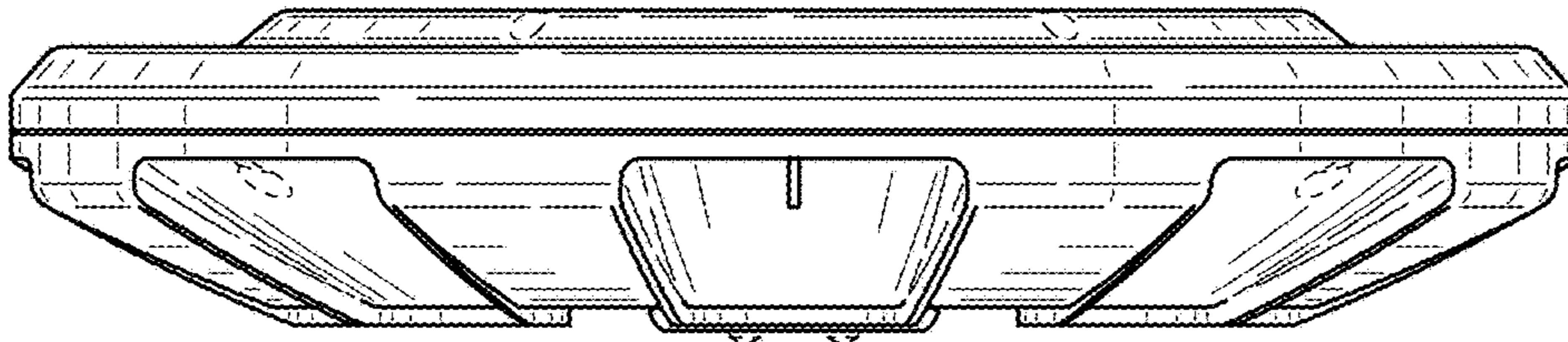


FIG. 6

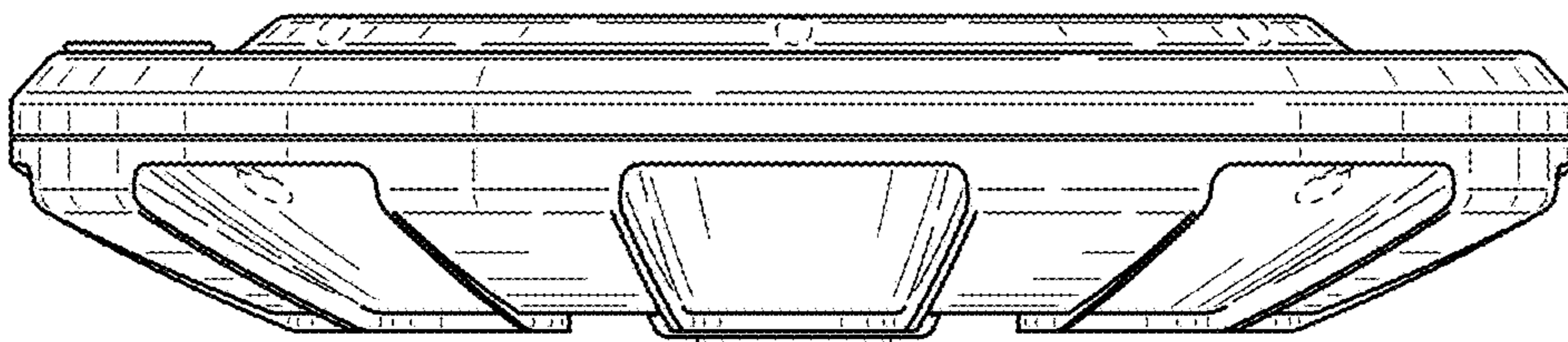


FIG. 7

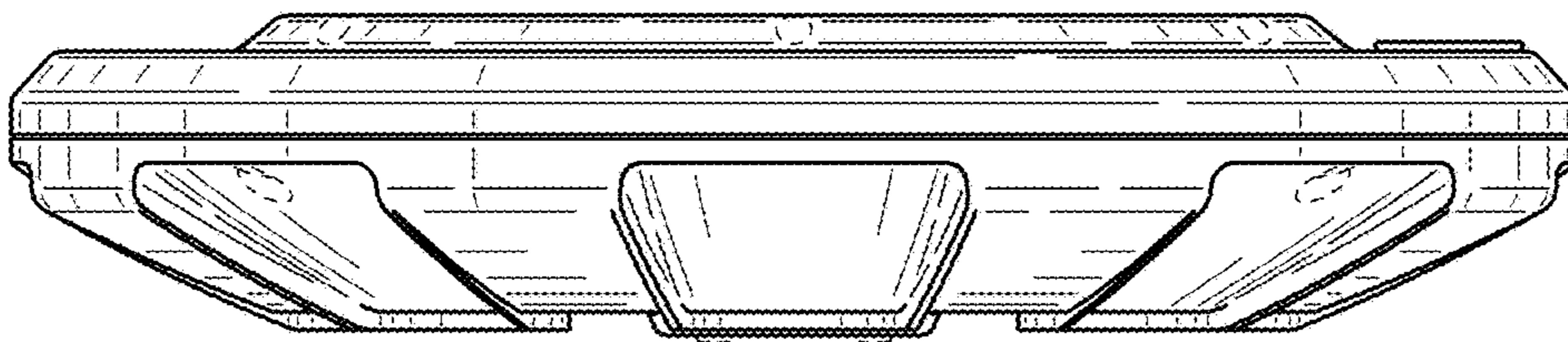


FIG. 8