



US00D836808S

(12) **United States Design Patent**  
**Marshall**

(10) **Patent No.:** **US D836,808 S**

(45) **Date of Patent:** **\*\* Dec. 25, 2018**

(54) **BIKE LIGHT**

(71) Applicant: **NITE IZE, INC.**, Boulder, CO (US)

(72) Inventor: **Byron Alex Marshall**, Overland Park, KS (US)

(73) Assignee: **Nite Ize, Inc.**, Boulder, CO (US)

(\*\*) Term: **15 Years**

(21) Appl. No.: **29/616,443**

(22) Filed: **Sep. 6, 2017**

(51) **LOC (11) Cl.** ..... **26-06**

(52) **U.S. Cl.**  
USPC ..... **D26/28**

(58) **Field of Classification Search**  
USPC ..... D26/28-36  
CPC ..... F21S 48/00; F21S 48/10; F21S 48/1266;  
F21S 48/1388; F21S 48/2268; F21V  
21/04

See application file for complete search history.

(56) **References Cited**

**U.S. PATENT DOCUMENTS**

D520,155 S \* 5/2006 Okuda ..... D26/28  
D529,639 S \* 10/2006 Okuda ..... D26/28  
D532,129 S \* 11/2006 Chen ..... D26/28

D540,966 S \* 4/2007 Ueda ..... D26/28  
D560,834 S \* 1/2008 Nagano ..... D26/28  
D584,840 S \* 1/2009 Okuda ..... D26/28  
D629,538 S \* 12/2010 Nagano ..... D26/28  
D678,562 S \* 3/2013 Chan ..... D26/28  
D760,931 S \* 7/2016 Davies ..... D26/28  
D779,690 S \* 2/2017 Nagano ..... D26/28  
D784,575 S \* 4/2017 Kawakami ..... D26/28  
D814,677 S \* 4/2018 Sukphisit ..... D26/60

\* cited by examiner

*Primary Examiner* — Mark A Goodwin

*Assistant Examiner* — Benjamin M Weeks

(74) *Attorney, Agent, or Firm* — Haynes and Boone, LLP

(57) **CLAIM**

The ornamental design for the bike light, as shown and described.

**DESCRIPTION**

FIG. 1 shows a front perspective view of a bike light; FIG. 2 shows a rear perspective view of the bike light of FIG. 1; FIG. 3 shows a right side view of the bike light of FIG. 1; FIG. 4 shows a left side view of the bike light of FIG. 1; FIG. 5 shows a front view of the bike light of FIG. 1; FIG. 6 shows a rear view of the bike light of FIG. 1; FIG. 7 shows a top view of the bike light of FIG. 1; and, FIG. 8 shows a bottom view of the bike light of FIG. 1.

**1 Claim, 8 Drawing Sheets**

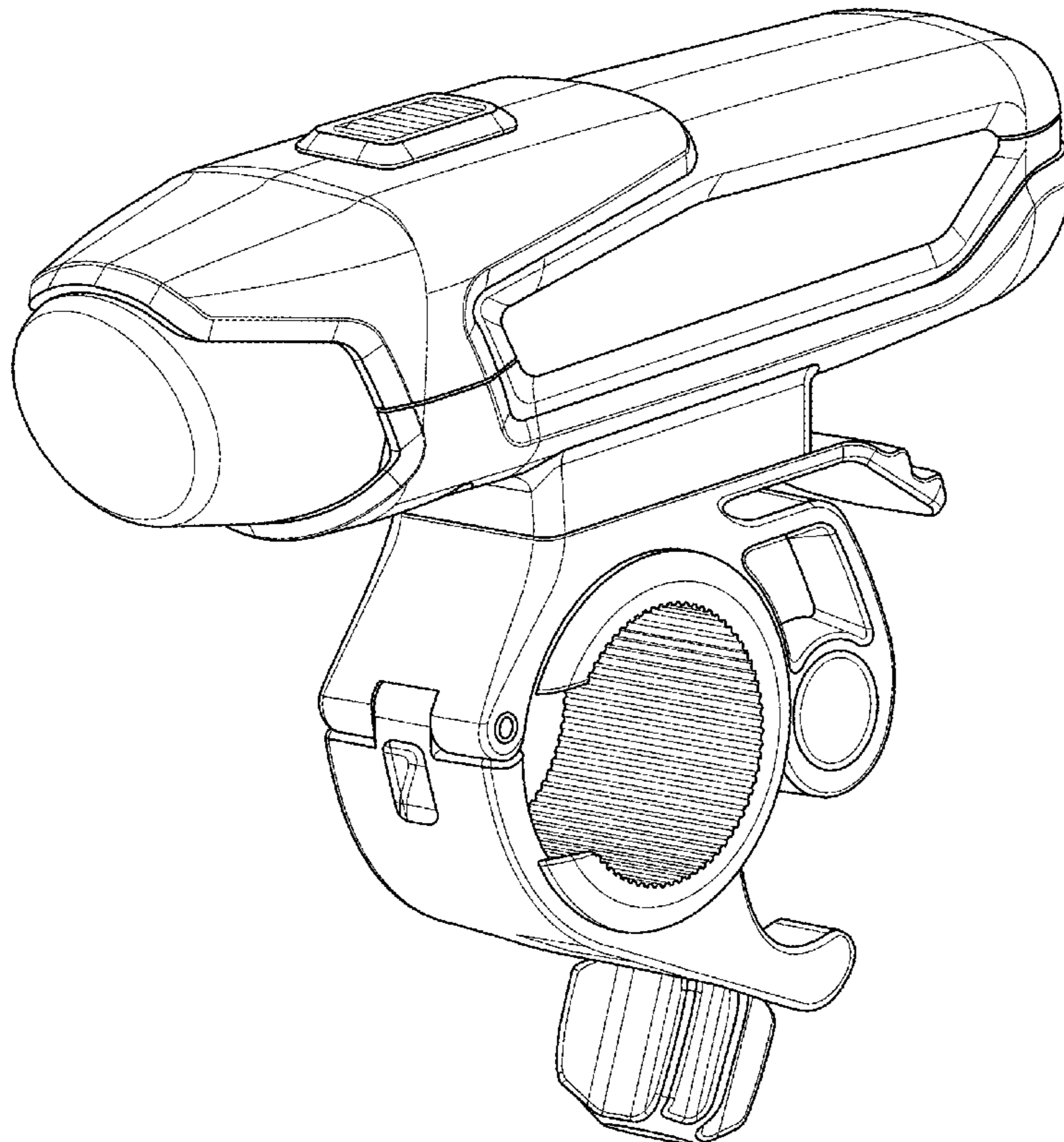
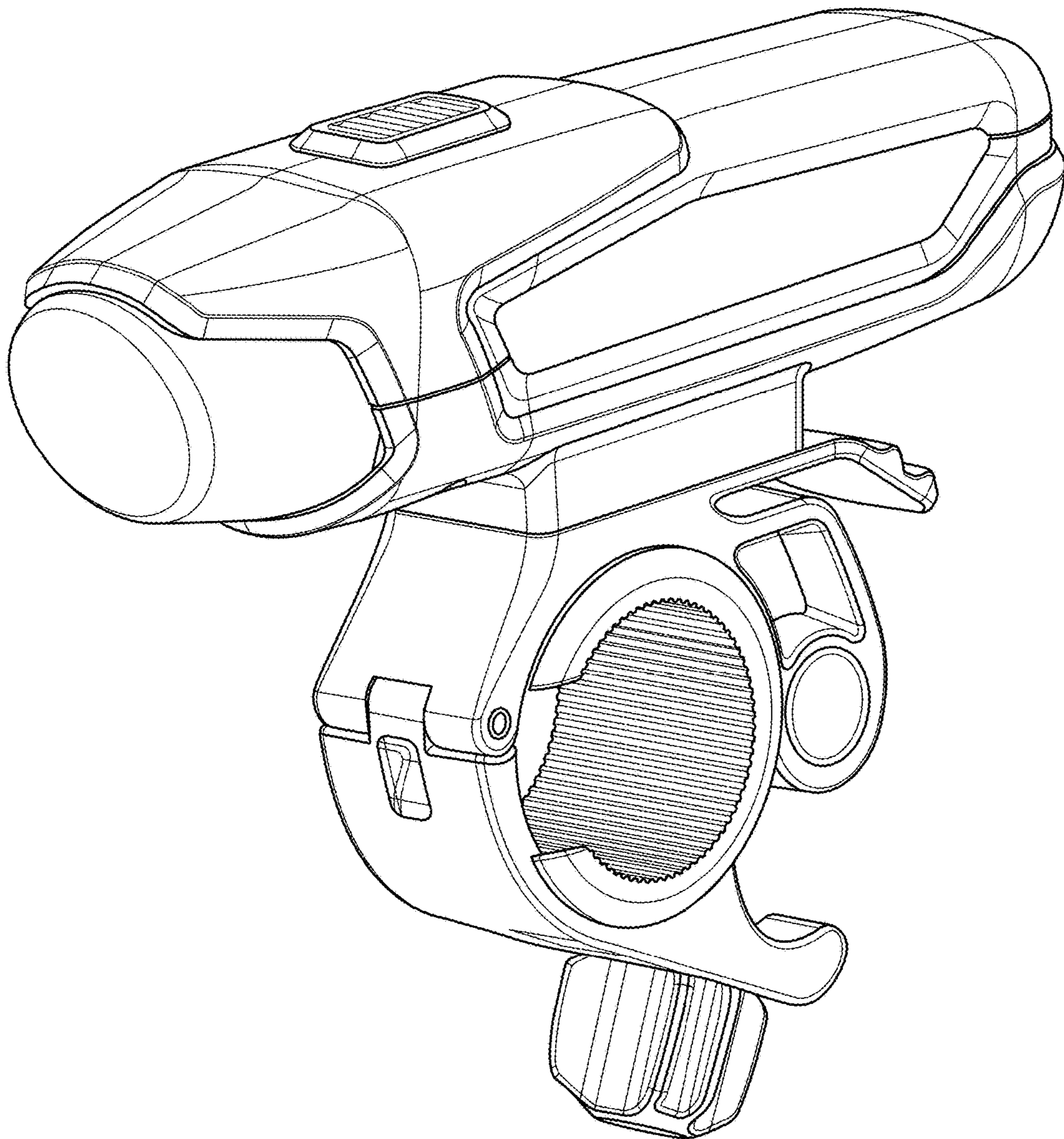
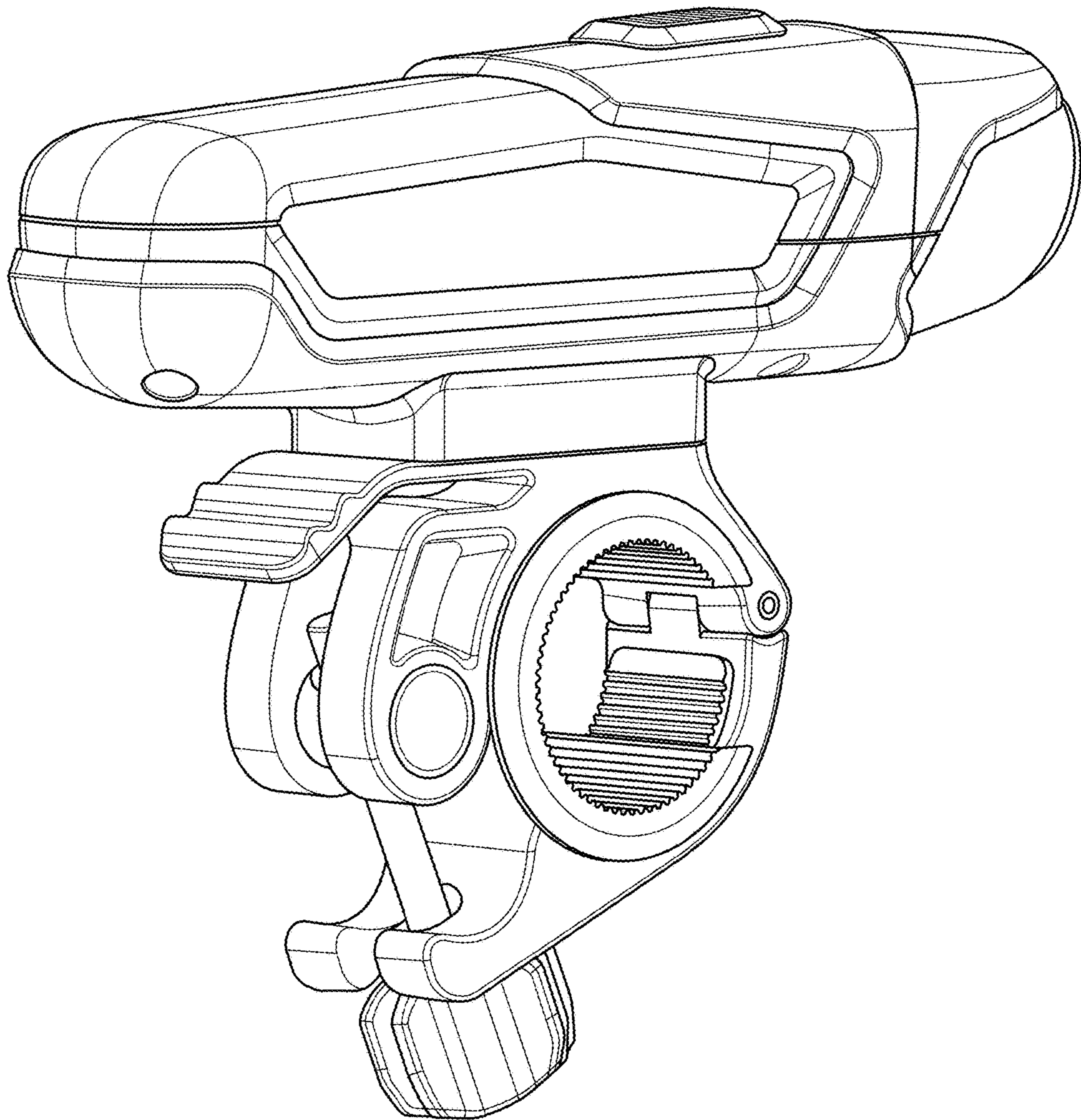


FIG. 1





**FIG. 2**



**FIG. 3**

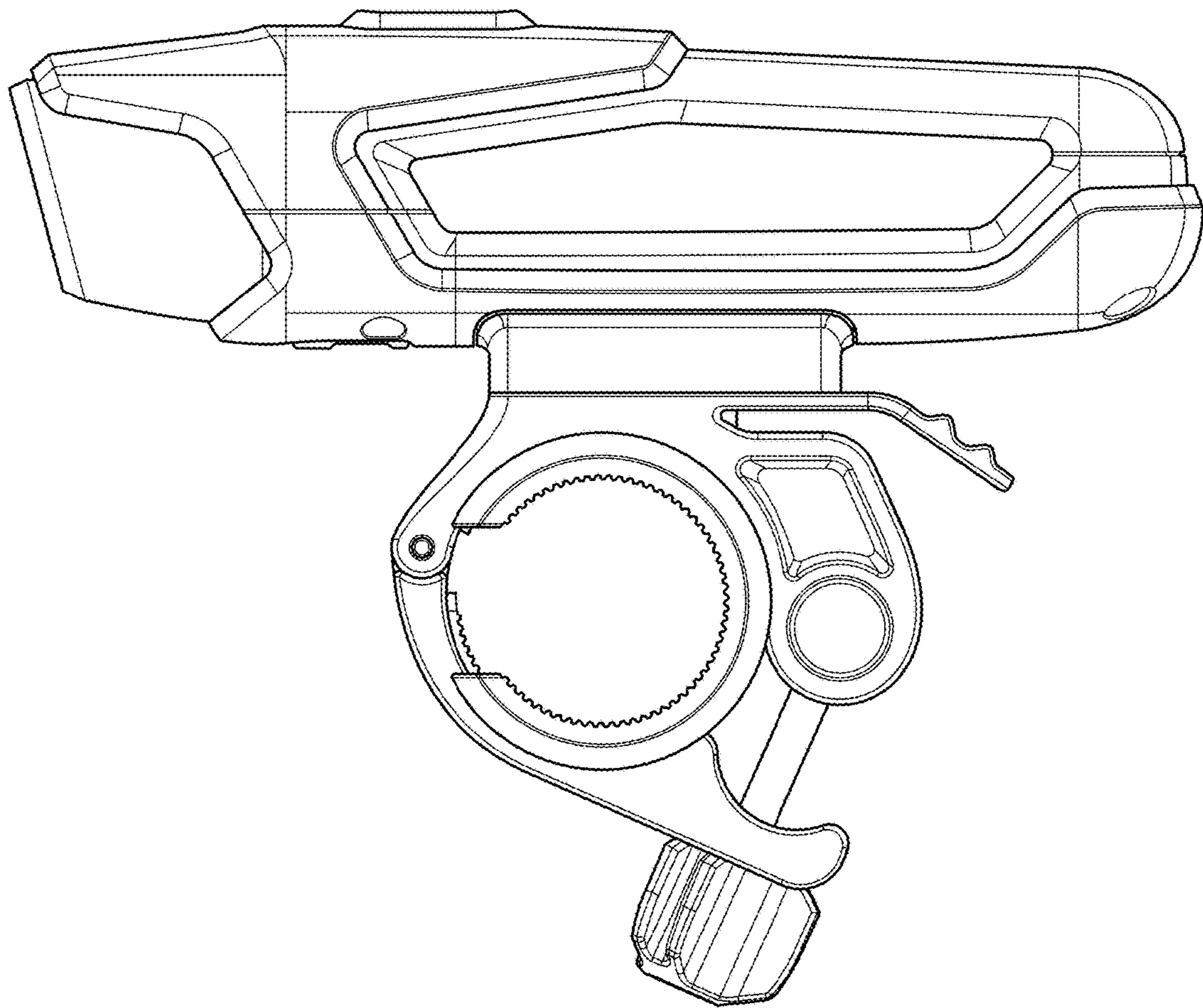
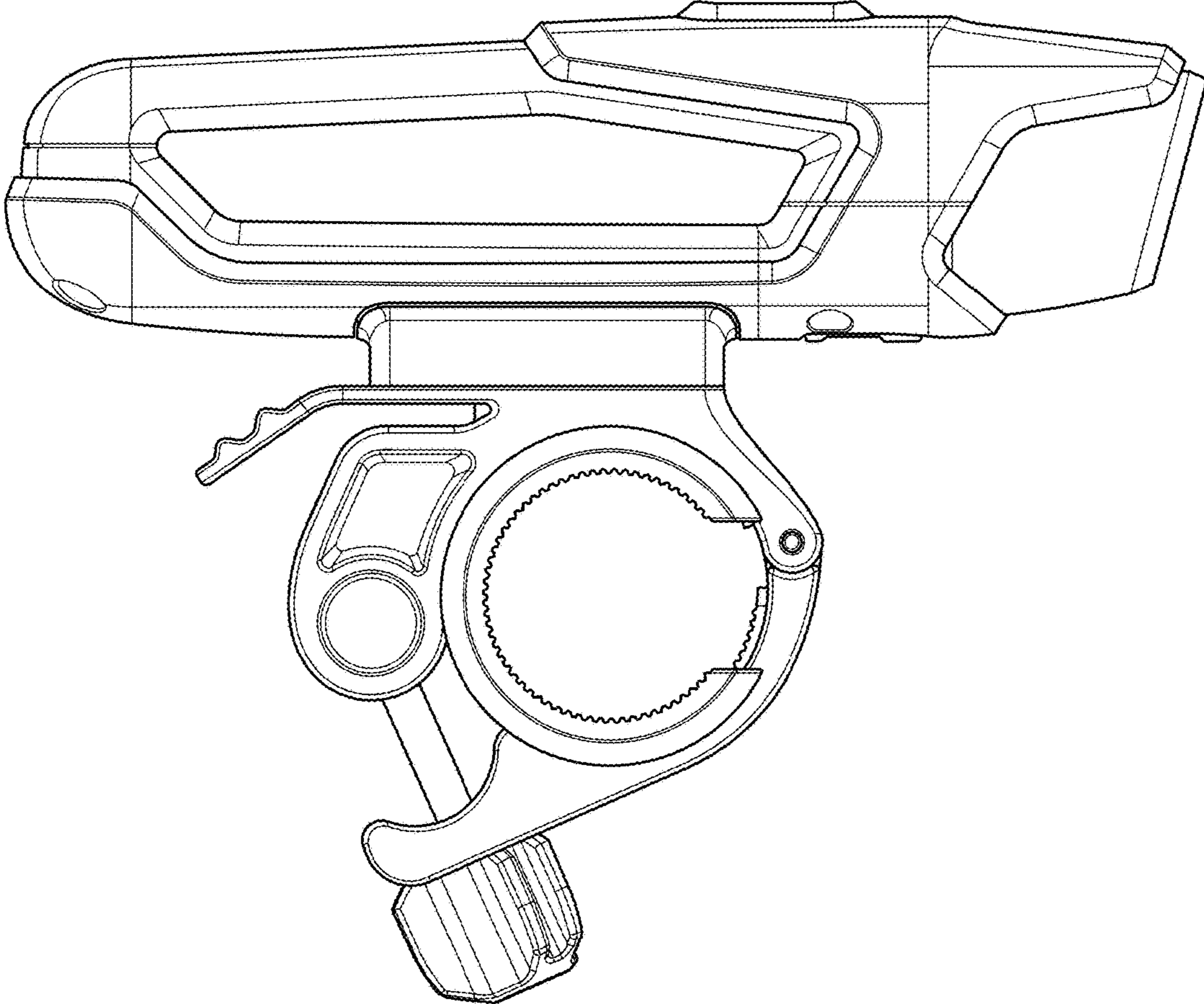
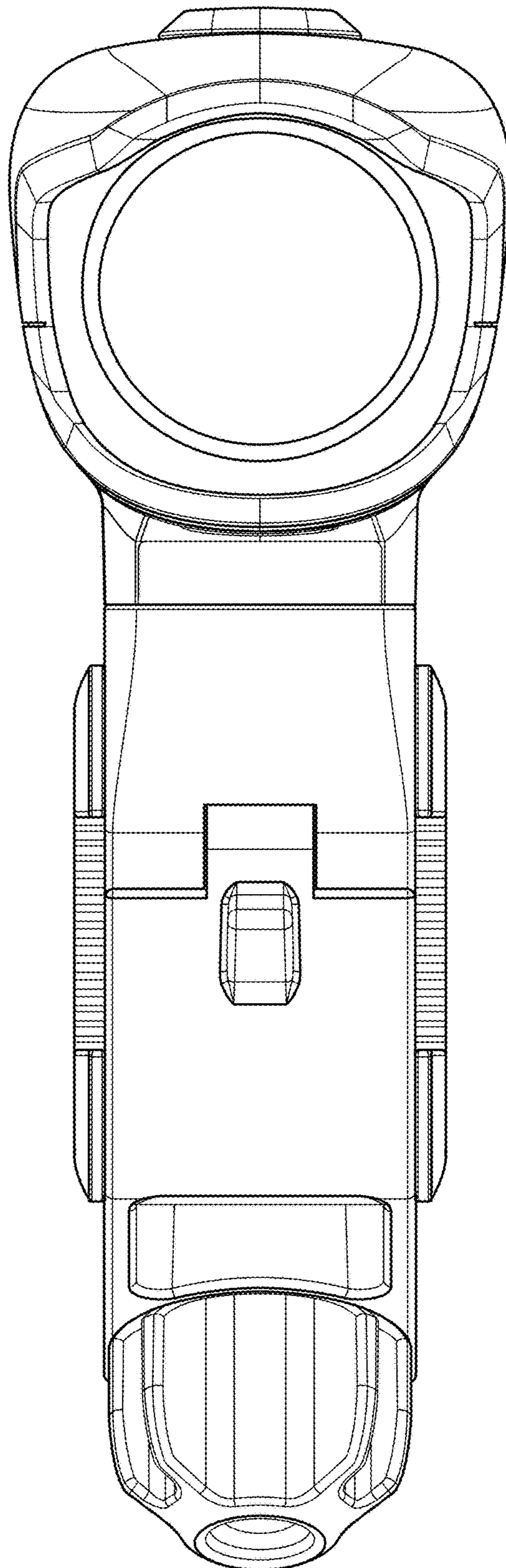


FIG. 4

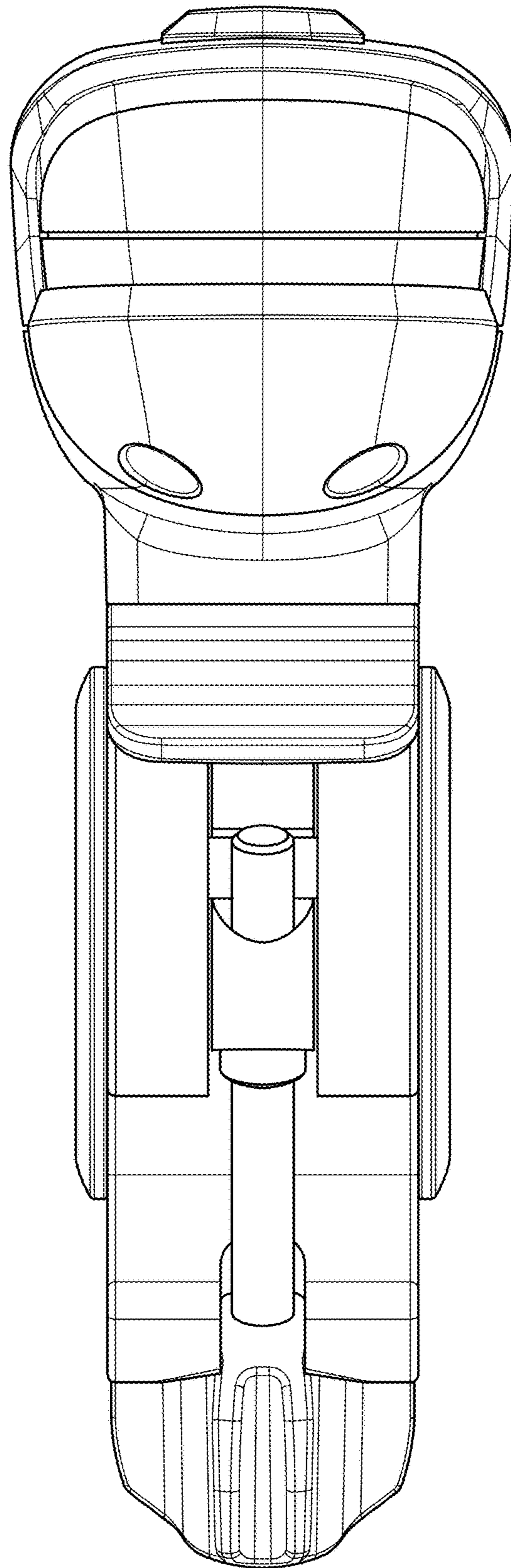


**FIG. 5**

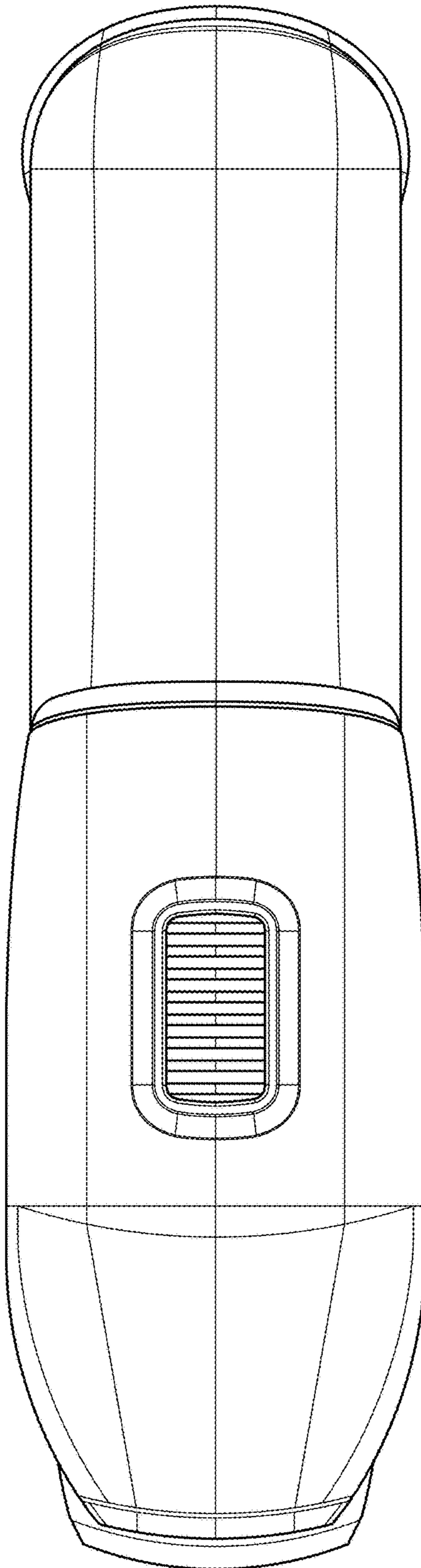




**FIG. 6**



**FIG. 7**





**FIG. 8**

