



US00D836805S

(12) **United States Design Patent** (10) **Patent No.:** **US D836,805 S**
Tomasson et al. (45) **Date of Patent:** **** Dec. 25, 2018**

(54) **DAYTIME RUNNING LIGHTS**
(71) Applicant: **Nio Nextev Limited**, Hong Kong (HK)
(72) Inventors: **Kris Tomasson**, Hong Kong (HK); **Juho Suh**, Hong Kong (HK); **Jim Baste**, Hong Kong (HK); **Salvatore Aita**, Hong Kong (HK); **Vasiliy Kurkov**, Hong Kong (HK); **Soowan Park**, Hong Kong (HK)
(73) Assignee: **NIO NEXTEV LIMITED**, Hong Kong (HK)

(**) Term: **15 Years**

(21) Appl. No.: **29/614,086**

(22) Filed: **Aug. 16, 2017**

(51) **LOC (11) Cl.** **26-06**

(52) **U.S. Cl.**
USPC **D26/28**

(58) **Field of Classification Search**
USPC D26/28-36
CPC F21S 48/00; F21S 48/10; F21S 48/1266;
F21S 48/1388; F21S 48/2268; F21V
21/04

See application file for complete search history.

(56) **References Cited**

U.S. PATENT DOCUMENTS

D657,482 S *	4/2012	Kong	D26/28
D672,068 S *	12/2012	Robinson	D26/28
D674,933 S *	1/2013	Varga	D26/28
D701,631 S *	3/2014	Goto	D26/28
D704,366 S *	5/2014	Saracoglu	D26/28
D712,573 S *	9/2014	Borkert	D26/28
D716,478 S *	10/2014	Loeb	D26/28

D738,550 S *	9/2015	Diephuis	D26/28
D770,646 S *	11/2016	Stopka	D26/28
D797,967 S *	9/2017	Barry	D26/28
D798,477 S *	9/2017	Lai	D26/28
D798,479 S *	9/2017	Ryu	D26/28
D814,081 S *	3/2018	Ha	D26/28
D814,082 S *	3/2018	Ha	D26/28
D821,618 S *	6/2018	Granlund	D26/28
2014/0160739 A1 *	6/2014	Hiesl	F21V 15/01 362/217.1

* cited by examiner

Primary Examiner — Mark A Goodwin
Assistant Examiner — Benjamin M Weeks
(74) *Attorney, Agent, or Firm* — Hogan Lovells US LLP

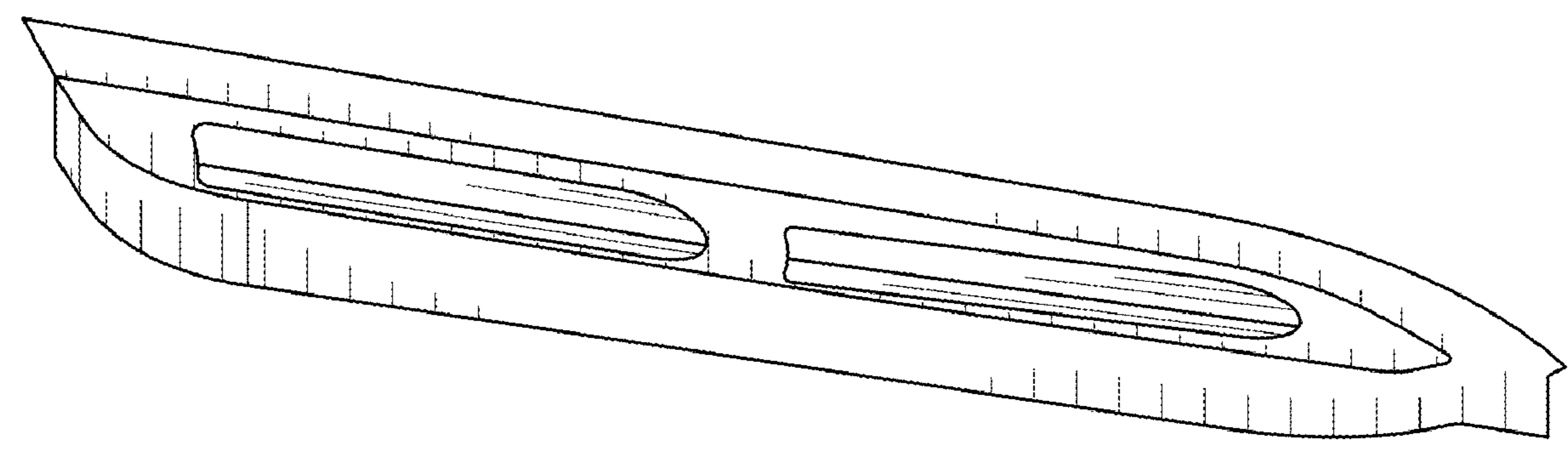
(57) **CLAIM**

The ornamental design for daytime running lights, as shown and described.

DESCRIPTION

FIG. 1 is a front view thereof;
FIG. 2 is a rear view thereof;
FIG. 3 is a right side view thereof;
FIG. 4 is a left side view thereof;
FIG. 5 is a top view thereof;
FIG. 6 is a bottom view thereof;
FIG. 7 is a perspective view thereof;
FIG. 8 is a perspective view thereof;
FIG. 9 is a front view thereof.
FIG. 10 is a rear view thereof;
FIG. 11 is a left view thereof;
FIG. 12 is a right side view thereof;
FIG. 13 is a top side view thereof;
FIG. 14 is a bottom view thereof;
FIG. 15 is a perspective view thereof; and,
FIG. 16 is a perspective view thereof.

1 Claim, 10 Drawing Sheets



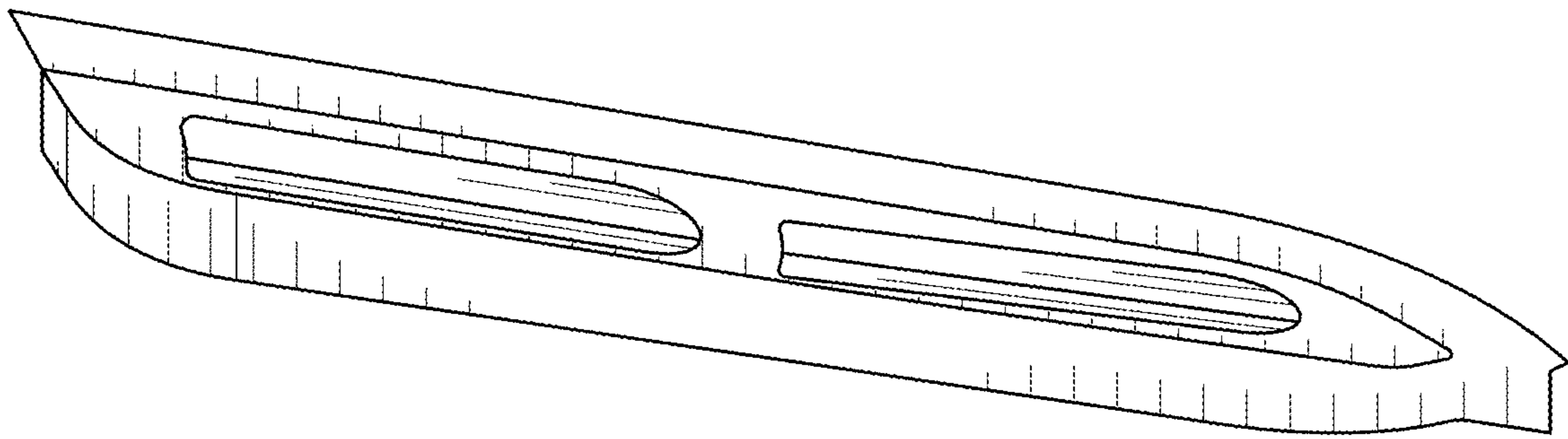


FIG. 1

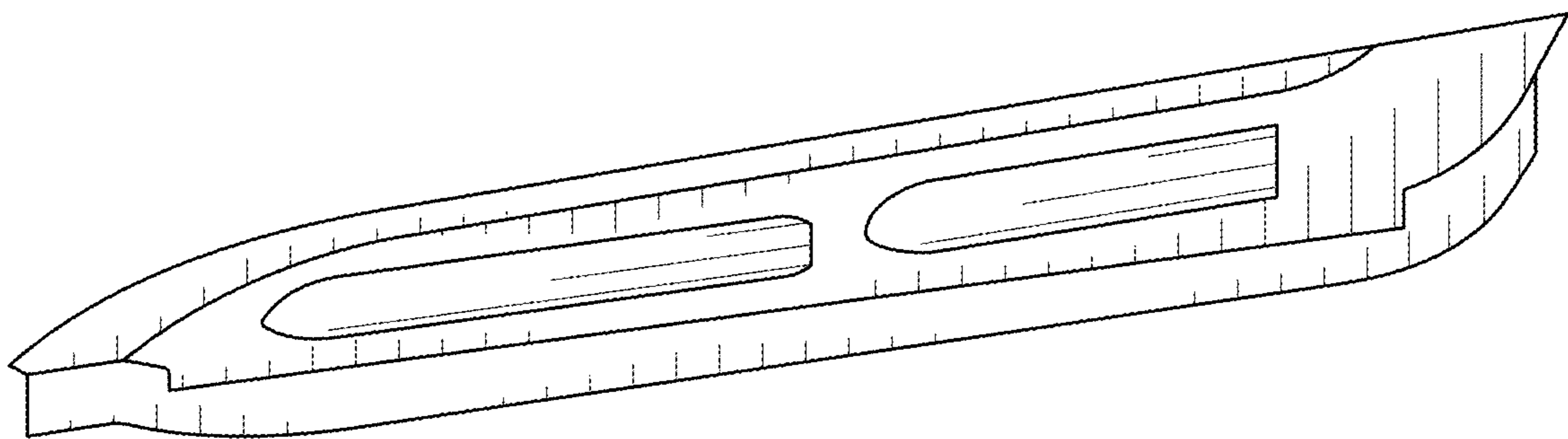


FIG. 2

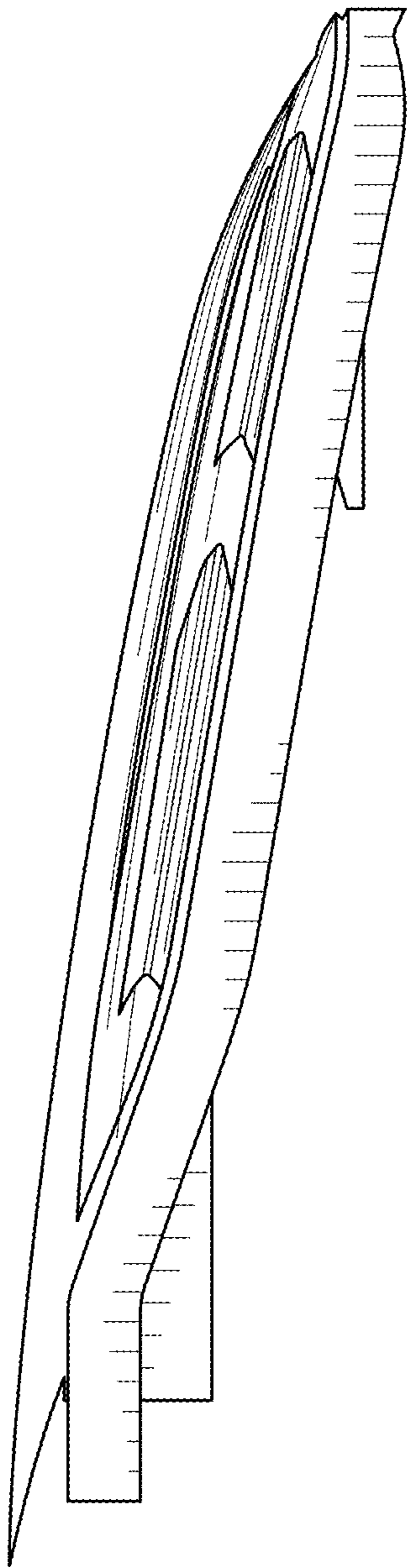


FIG. 3

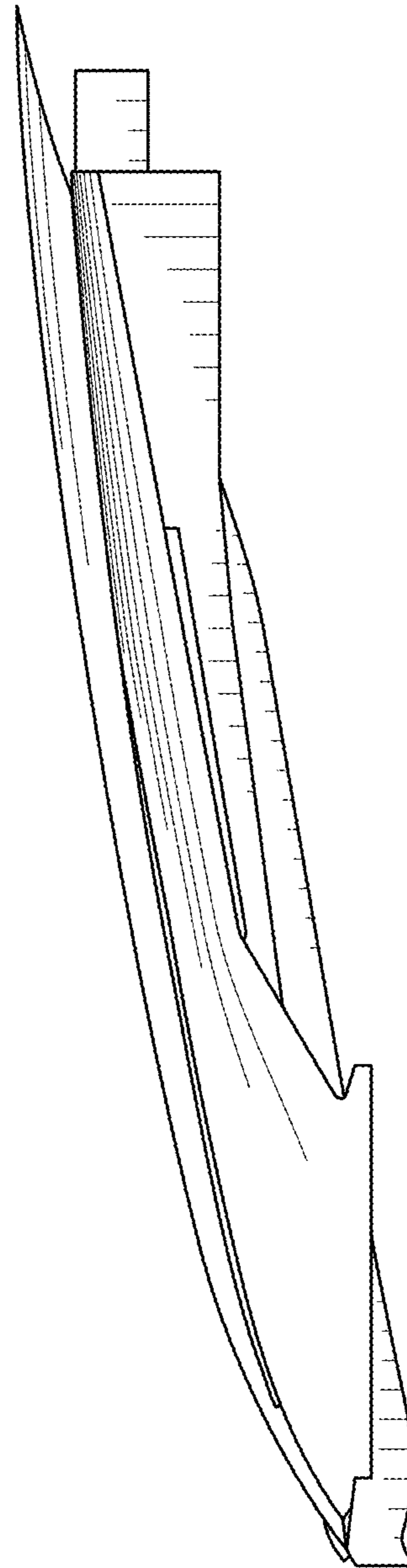


FIG. 4

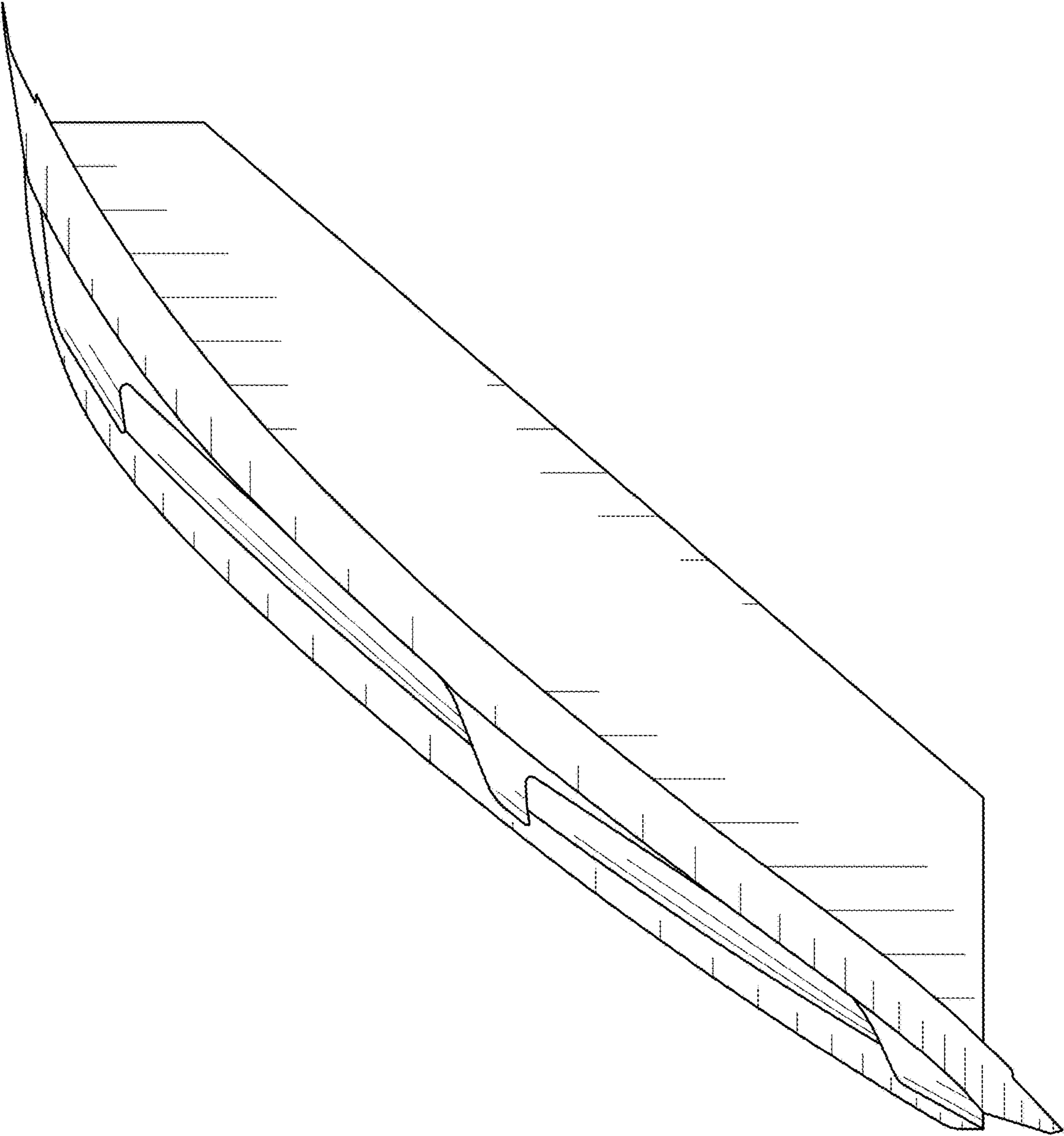


FIG. 5

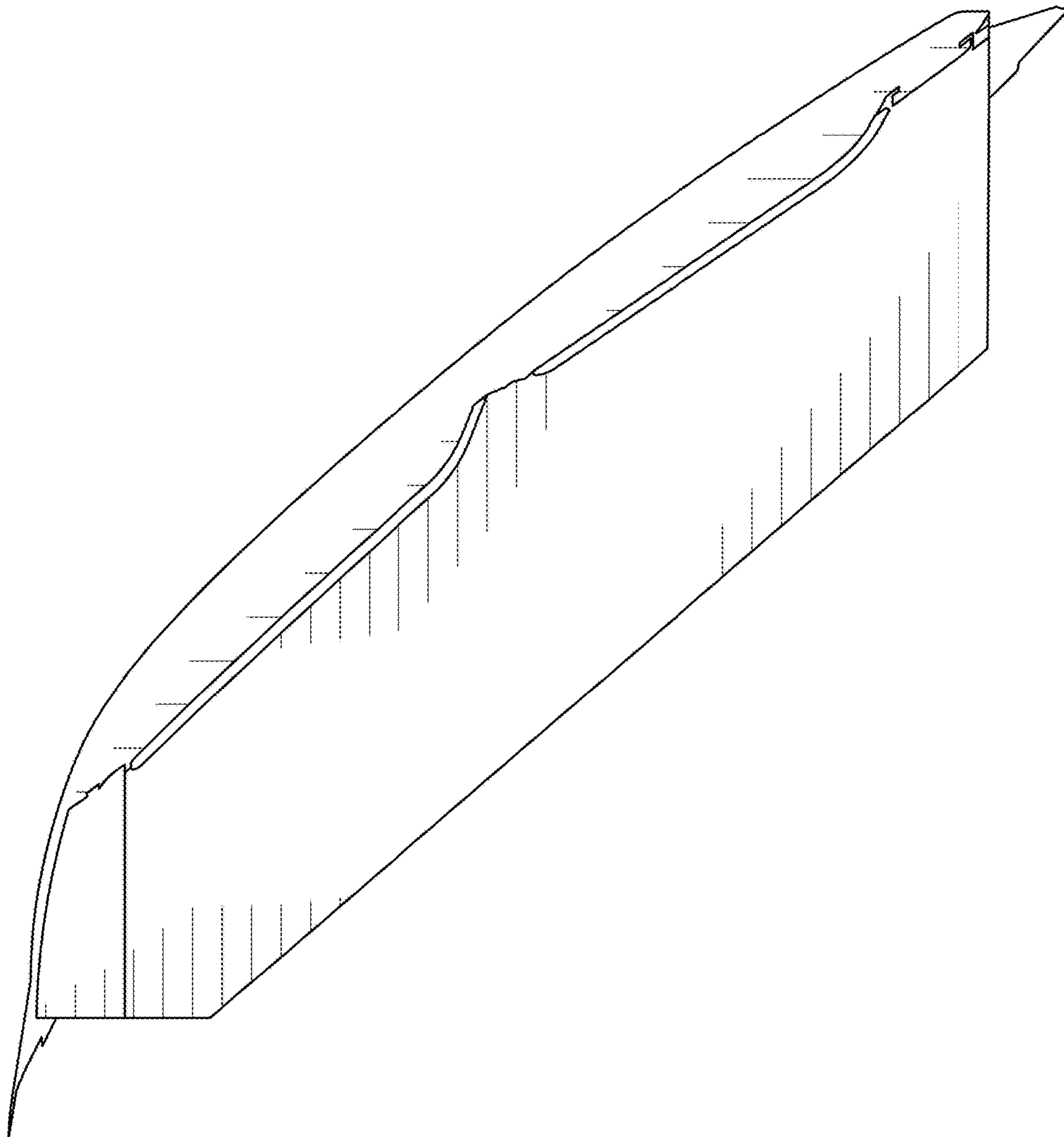


FIG. 6

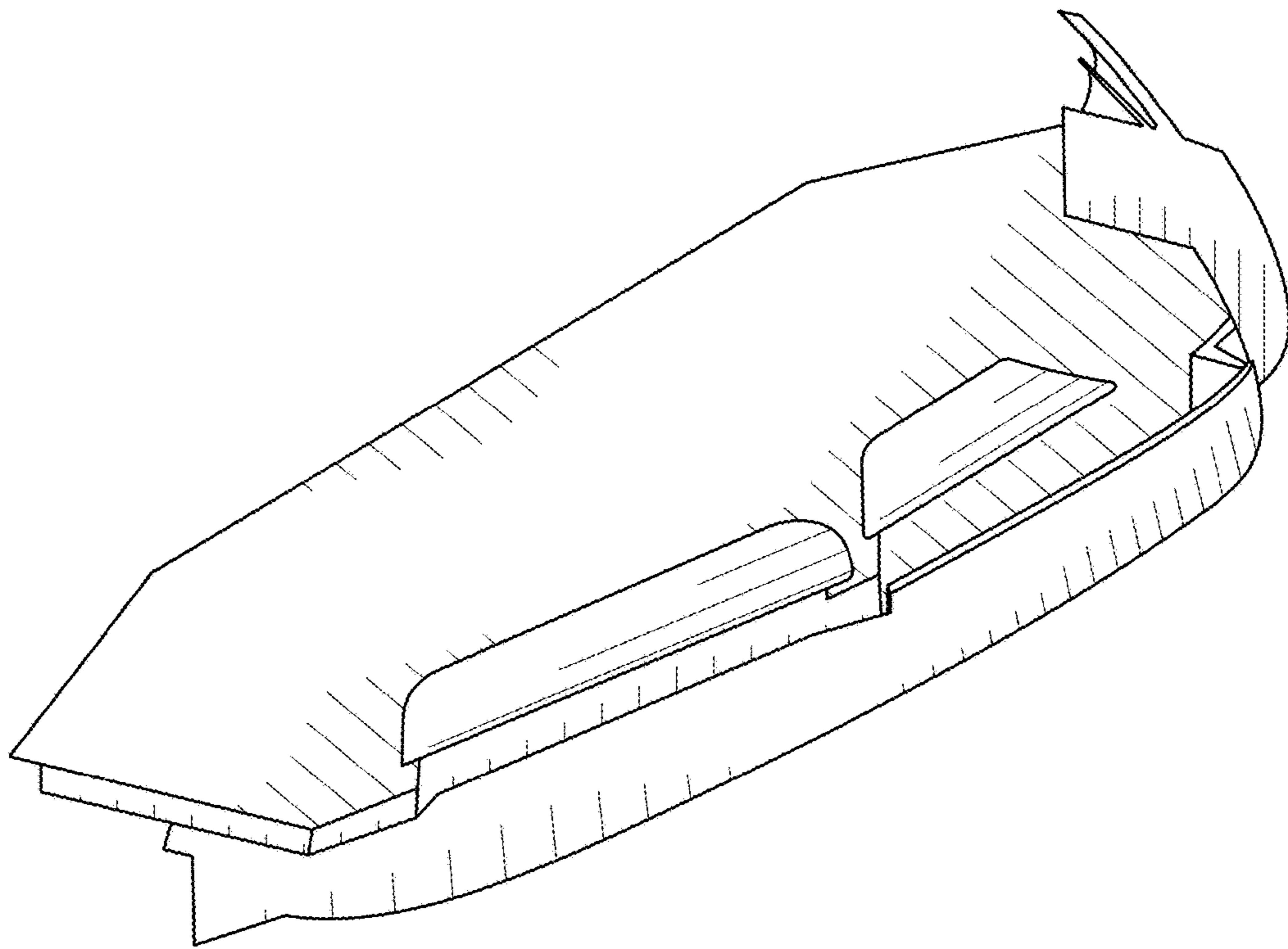


FIG. 7

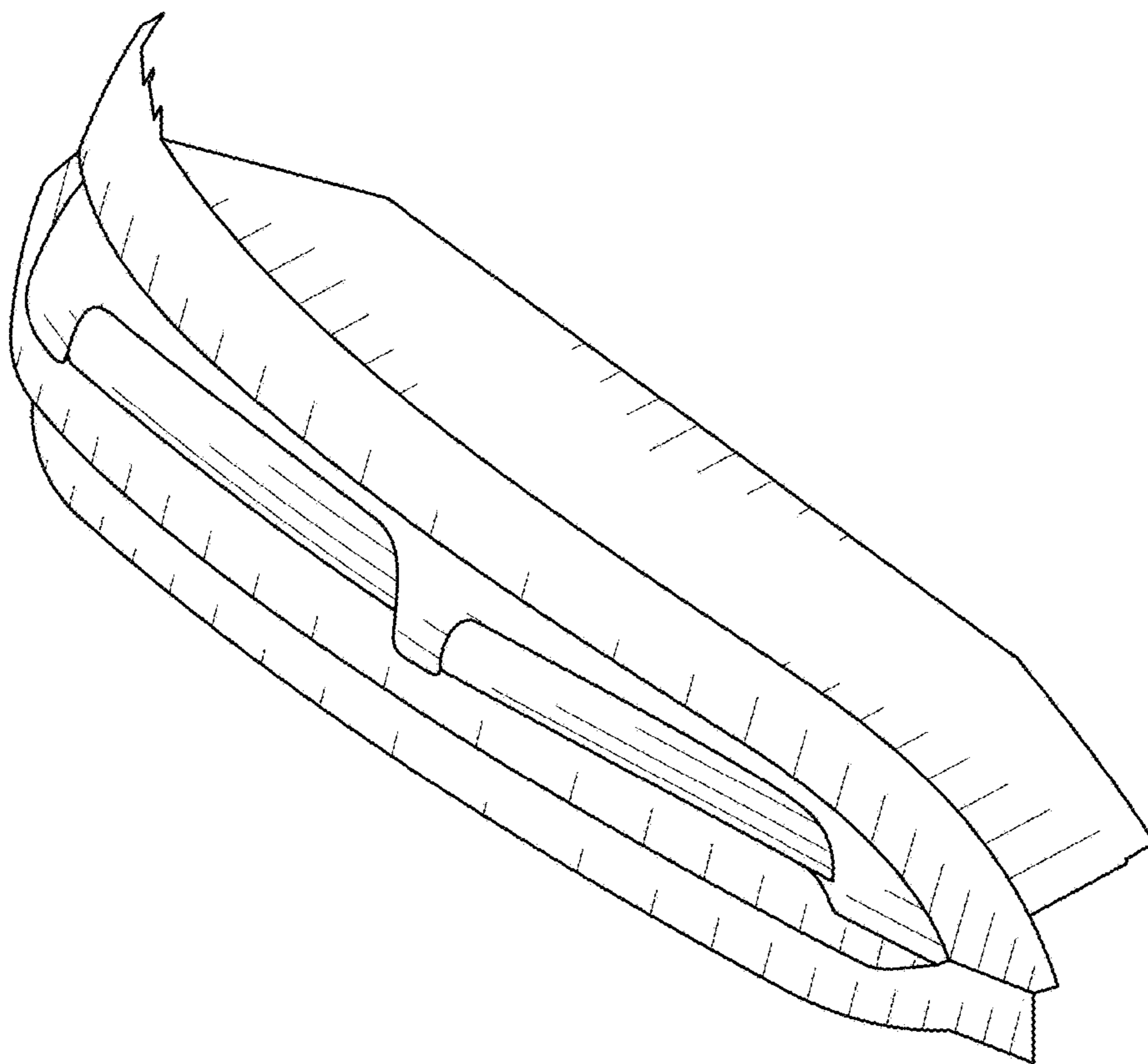


FIG. 8

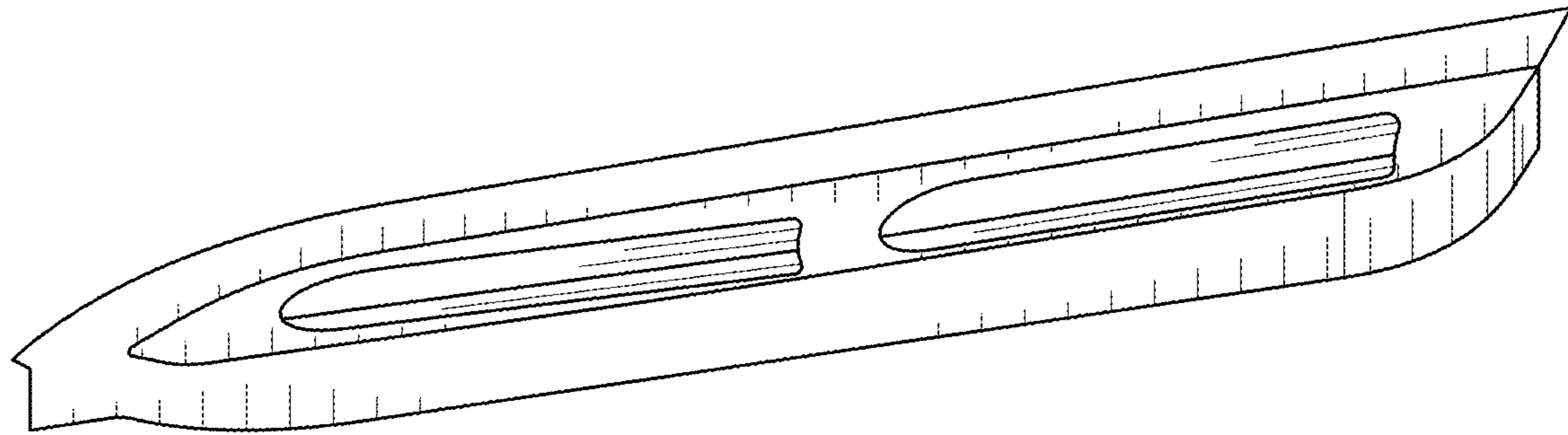


FIG. 9

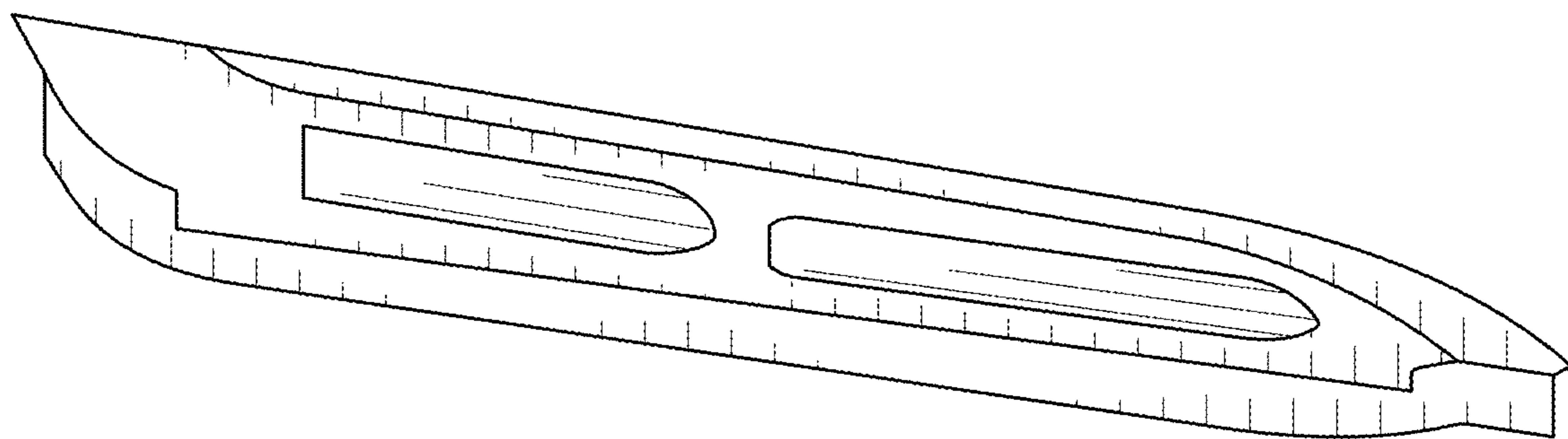


FIG. 10

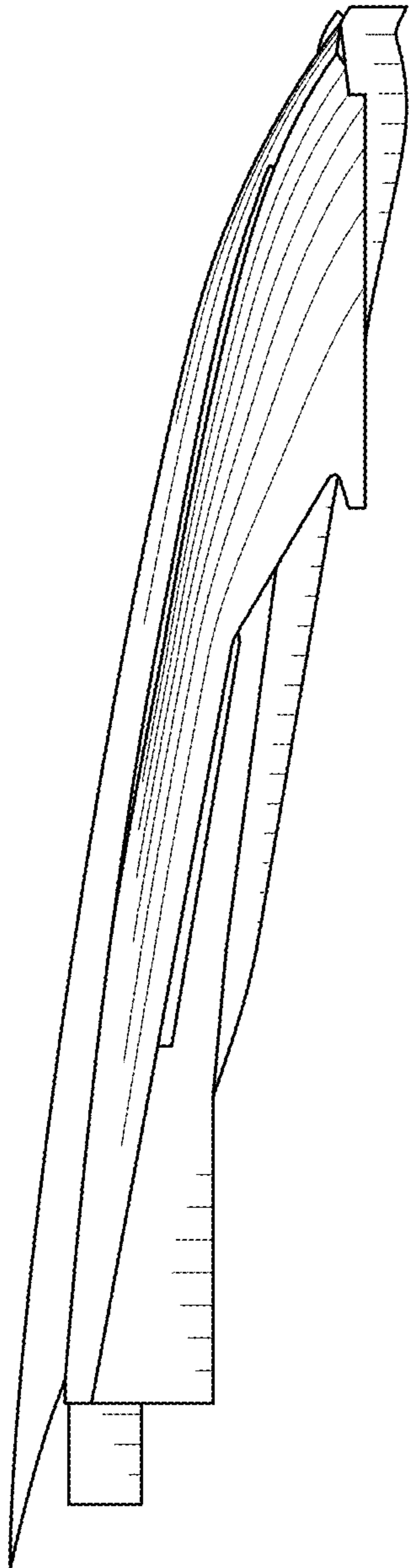


FIG. 11

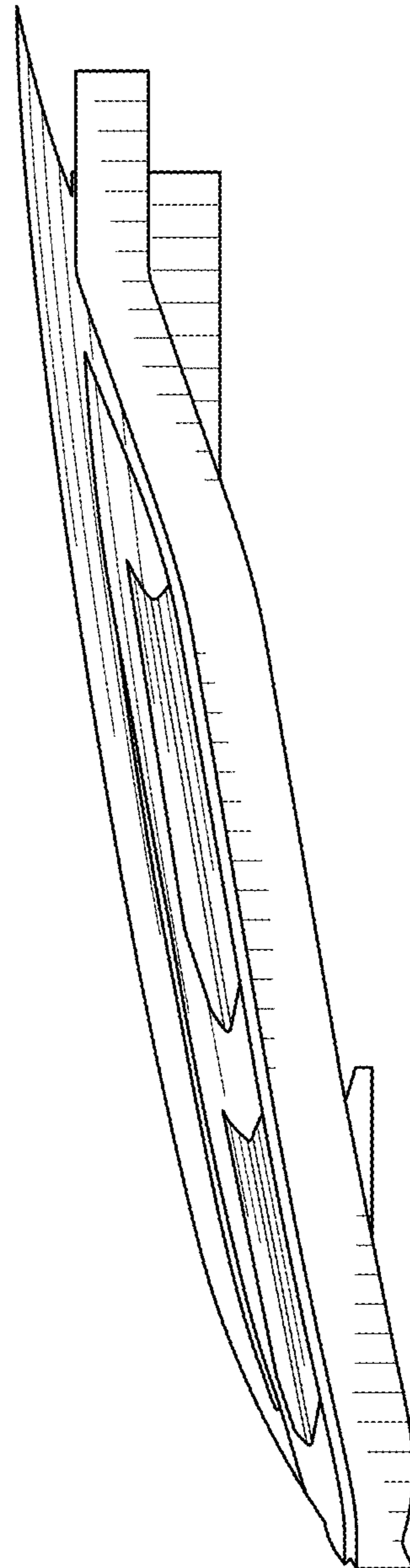


FIG. 12

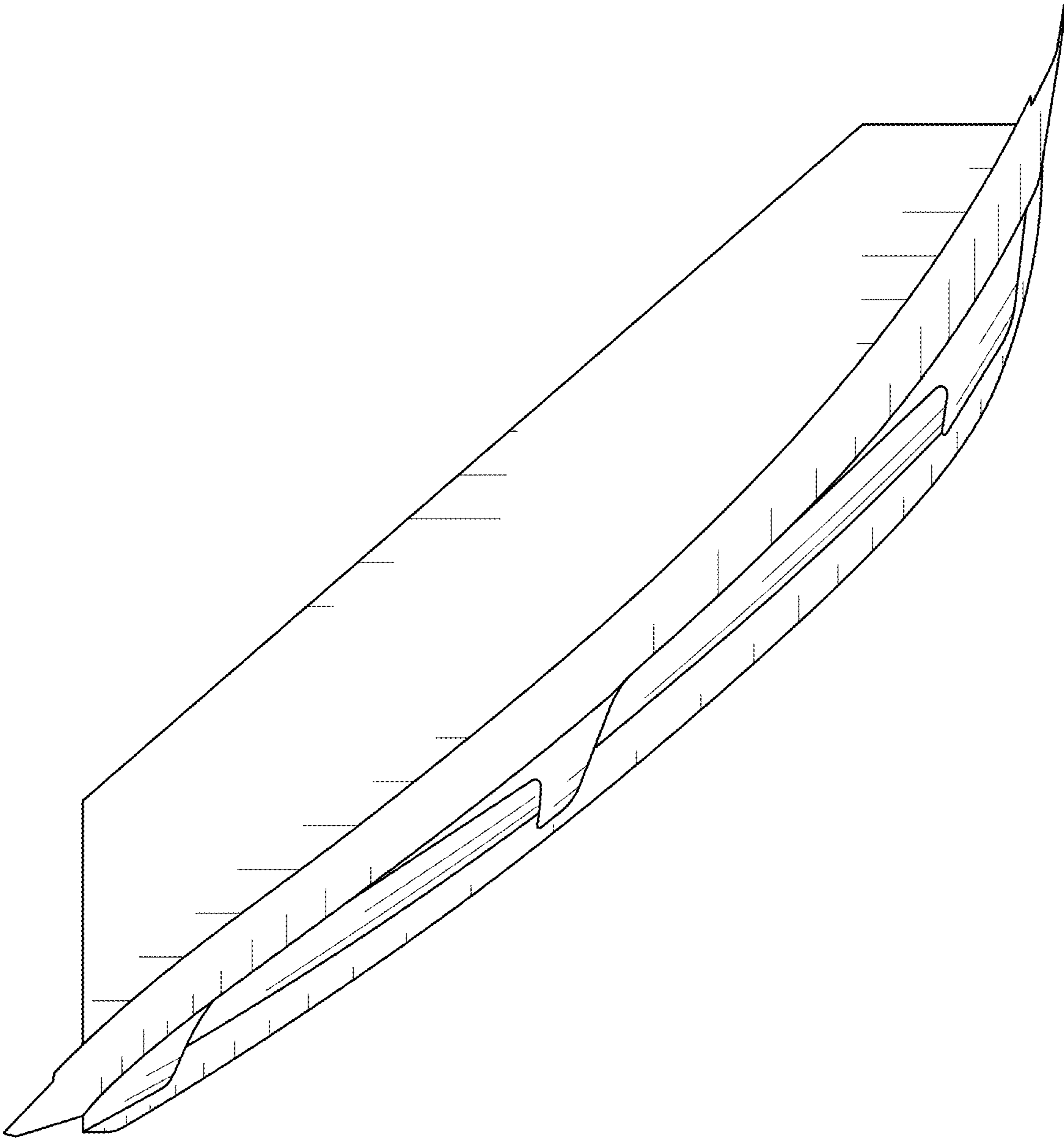


FIG. 13

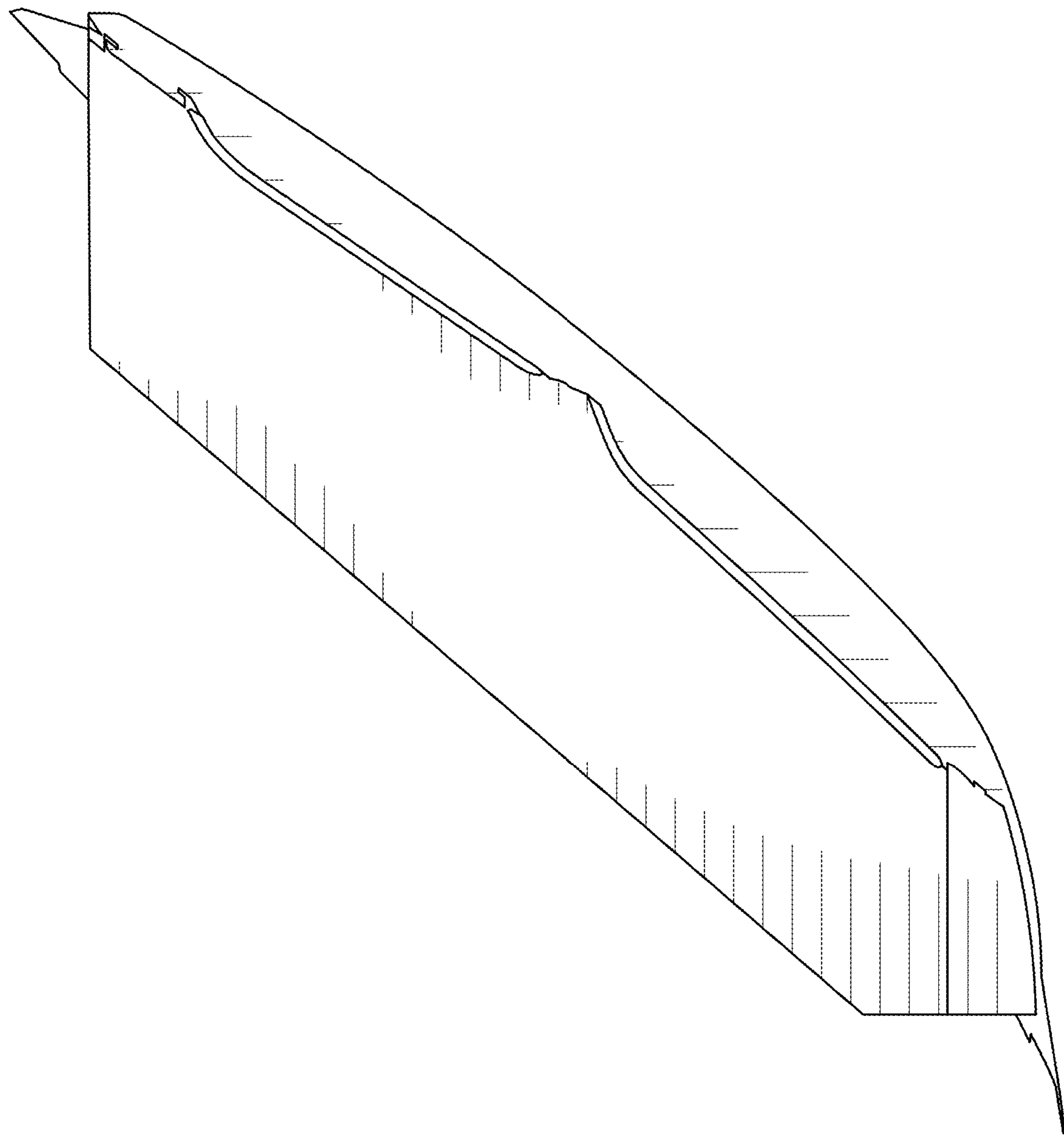


FIG. 14

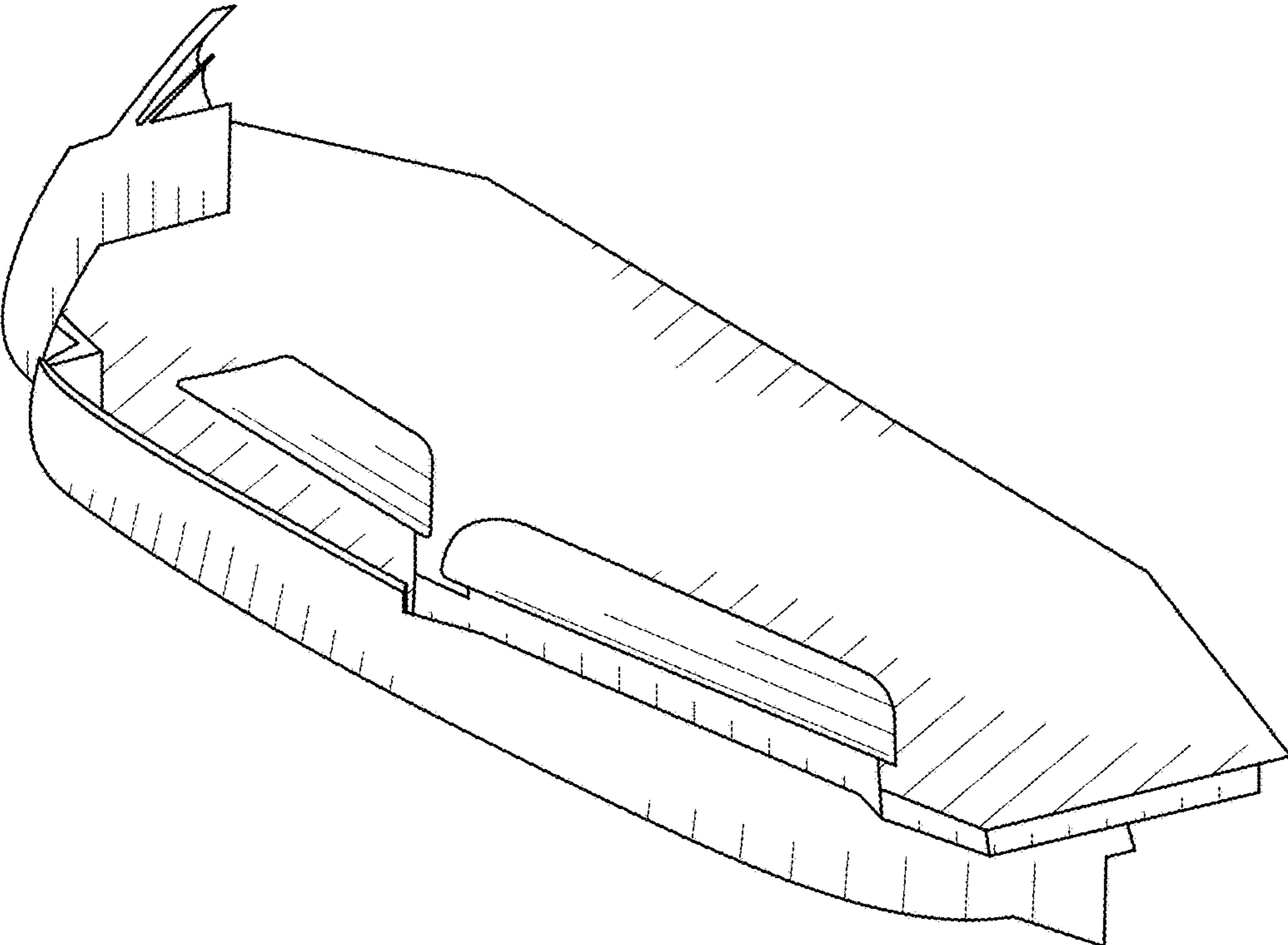


FIG. 15

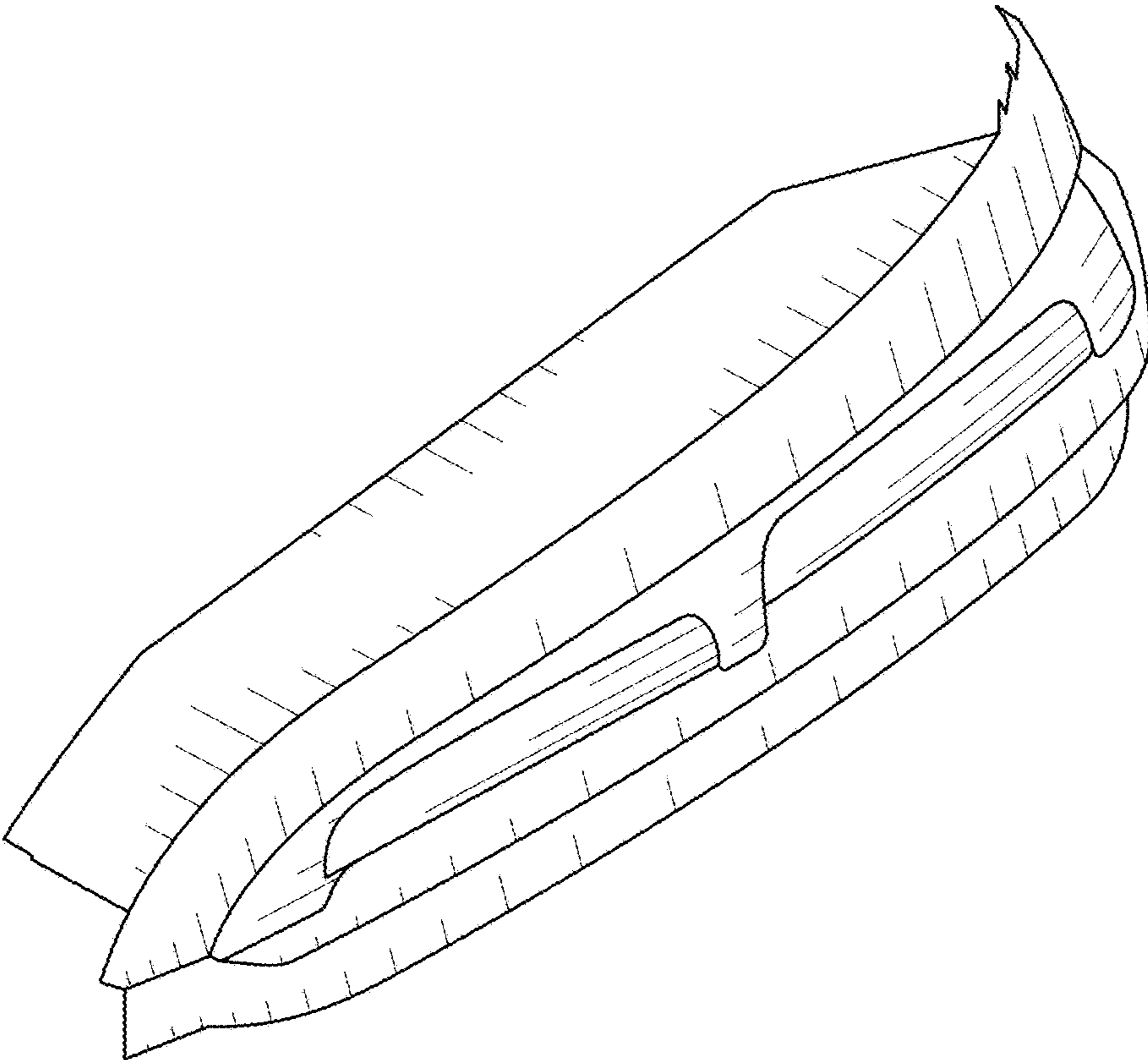


FIG. 16

UNITED STATES PATENT AND TRADEMARK OFFICE
CERTIFICATE OF CORRECTION

PATENT NO. : D836,805 S
APPLICATION NO. : 29/614086
DATED : December 25, 2018
INVENTOR(S) : Kris Tomasson et al.

Page 1 of 1

It is certified that error appears in the above-identified patent and that said Letters Patent is hereby corrected as shown below:

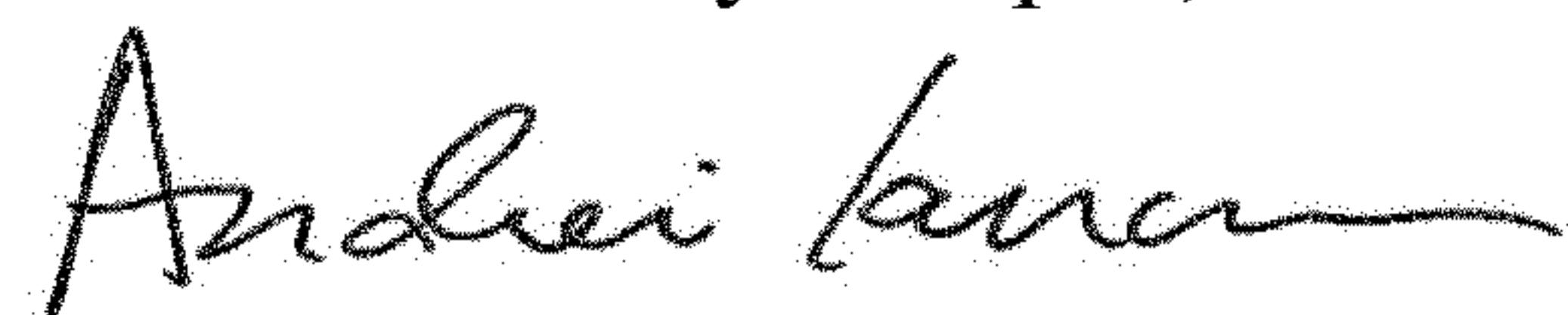
On the Title Page

In ITEM (30):

Please change the Foreign Application Priority to read as follows:

People's Republic of China Registration No. 201730124195.5 filed April 14, 2017

Signed and Sealed this
Thirtieth Day of April, 2019



Andrei Iancu
Director of the United States Patent and Trademark Office