



US00D836800S

(12) **United States Design Patent** (10) **Patent No.:** **US D836,800 S**
Coe (45) **Date of Patent:** **** Dec. 25, 2018**

(54) **PAINT CAN SECURING APPARATUS FOR USE WITH A LADDER**

Primary Examiner — Cynthia Ramirez

Assistant Examiner — Gino Colan

(71) Applicant: **James Coe**, Virginia Beach, VA (US)

(74) *Attorney, Agent, or Firm* — William G. Sykes

(72) Inventor: **James Coe**, Virginia Beach, VA (US)

(**) Term: **15 Years**

(57) **CLAIM**

(21) Appl. No.: **29/597,192**

The ornamental design for a paint can securing apparatus for use with a ladder, as shown and described.

(22) Filed: **Mar. 15, 2017**

(51) **LOC (11) Cl.** **25-04**

(52) **U.S. Cl.**

USPC **D25/68**

(58) **Field of Classification Search**

USPC D25/62, 68, 69; 248/210, 211, 238;
D3/228; 182/129; 211/86.01; D32/53.1,
D32/53; 206/373

CPC . E06C 7/14; E06C 7/182; E06C 7/143; B44D
3/14; B44D 3/12; F16B 45/00

See application file for complete search history.

DESCRIPTION

FIG. 1 is a back left isometric view of a paint can securing apparatus for use with a ladder showing my new design;
 FIG. 2 is a left side view thereof;
 FIG. 3 is a top view thereof;
 FIG. 4 is a bottom view thereof;
 FIG. 5 is a back view thereof;
 FIG. 6 is a front view thereof; and,
 FIG. 7 is a right side view.
 FIG. 8 is a back left isometric view with the lid elevated thereof;
 FIG. 9 is a left side view with the lid elevated thereof;
 FIG. 10 is a top view with the lid elevated thereof;
 FIG. 11 is a bottom view with the lid elevated thereof;
 FIG. 12 is a back view with the lid elevated thereof;
 FIG. 13 is a front view with the lid elevated thereof; and,
 FIG. 14 is a right side view with the lid elevated.

The broken lines shown in the figures are included for the purpose of illustrating portions of the paint can securing apparatus for use with a ladder and form no part of the claimed design.

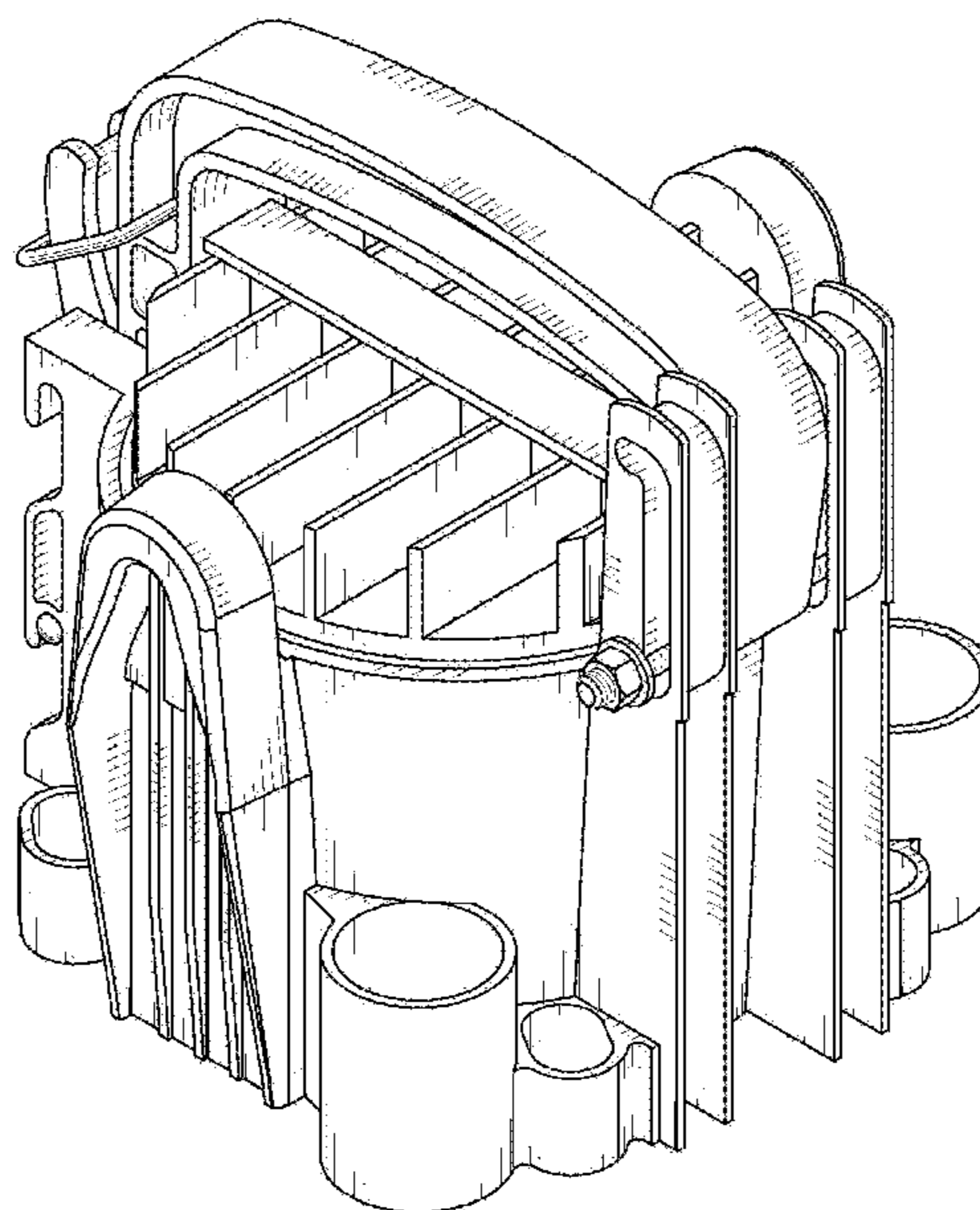
(56) **References Cited**

U.S. PATENT DOCUMENTS

5,901,998	A *	5/1999	Gallo, Jr.	E06C 7/14 182/129
6,000,669	A *	12/1999	Seward	E06C 7/14 248/210
6,564,941	B2 *	5/2003	Hedges	B25H 3/00 182/129
D620,613	S *	7/2010	Jensen	D25/68
8,863,901	B1 *	10/2014	Kyle	B25H 3/022 182/129
2002/0070136	A1 *	6/2002	Hedges	B25H 3/00 206/373
2010/0025153	A1 *	2/2010	Decker	E06C 7/14 182/129
2017/0015133	A1 *	1/2017	Lopez	B44D 3/121

* cited by examiner

1 Claim, 14 Drawing Sheets



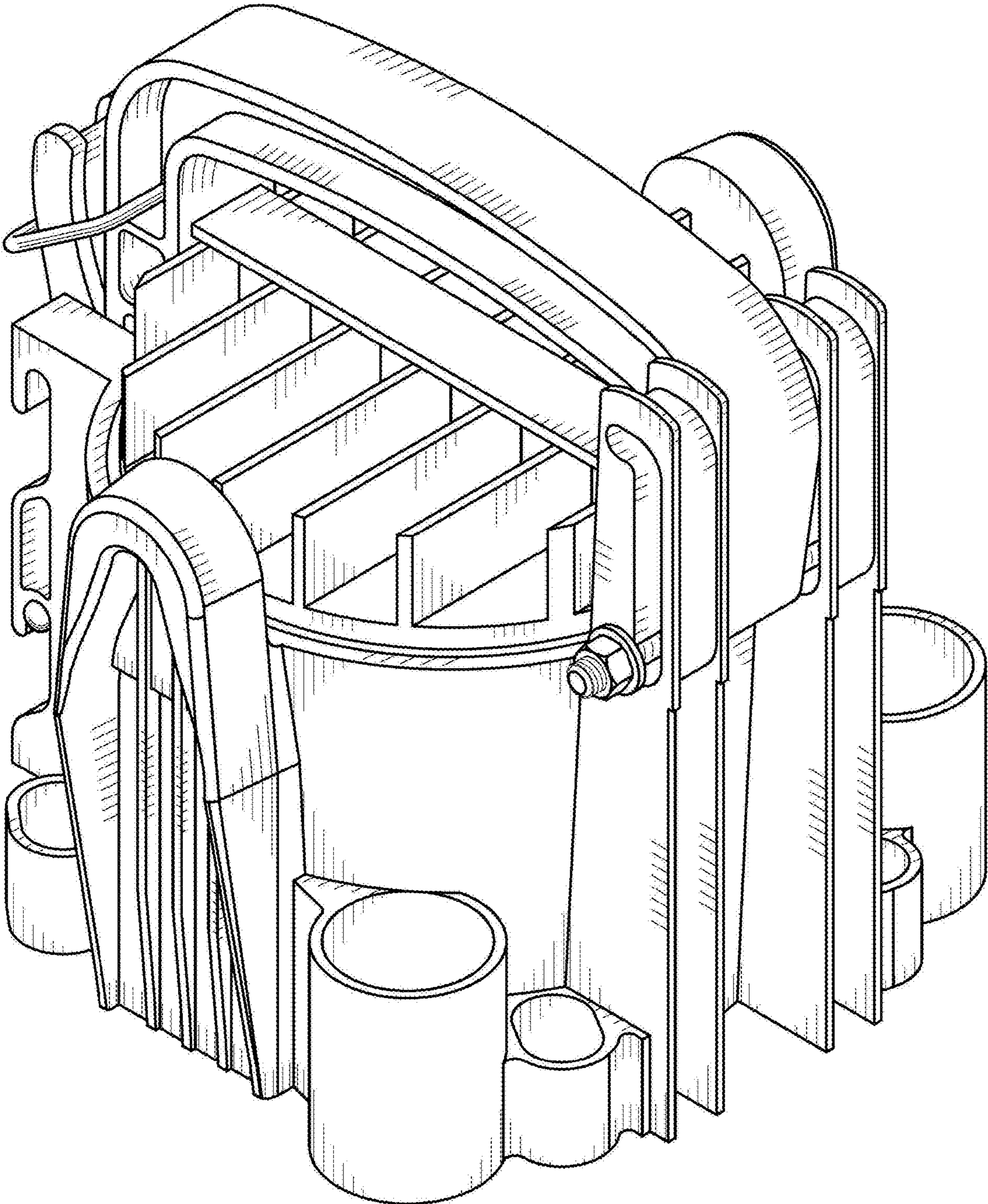


Fig. 1

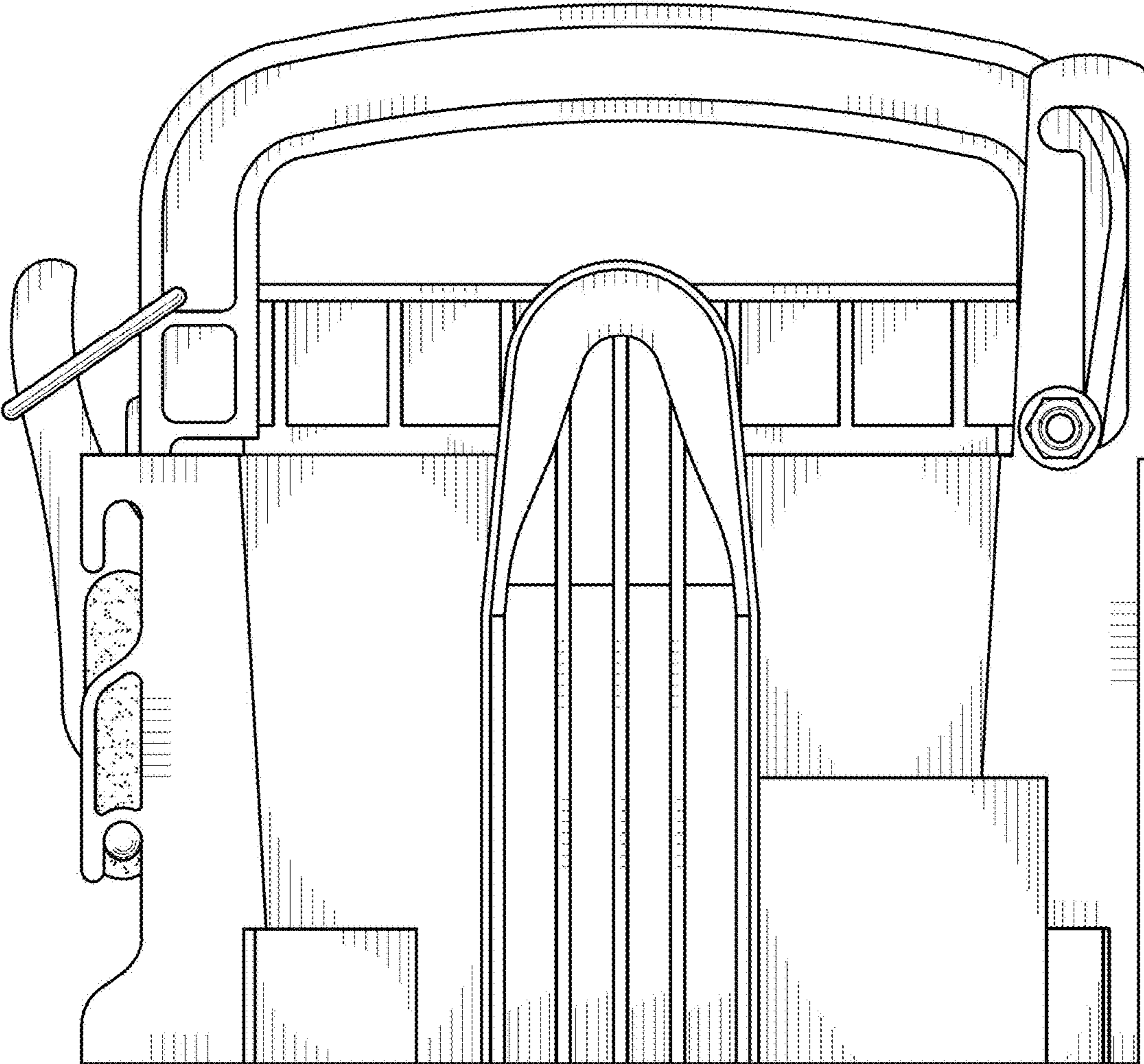


Fig. 2

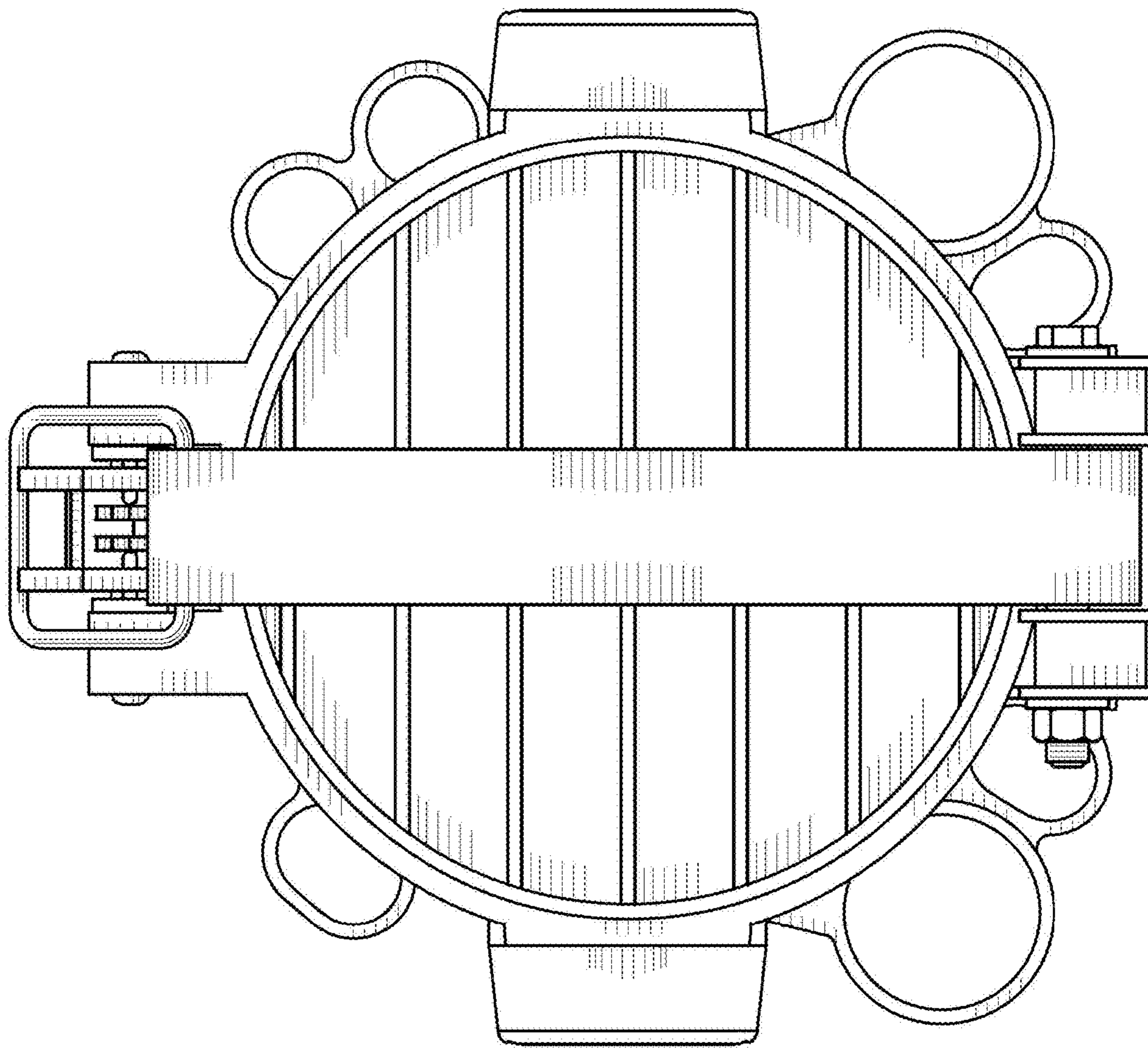


Fig. 3

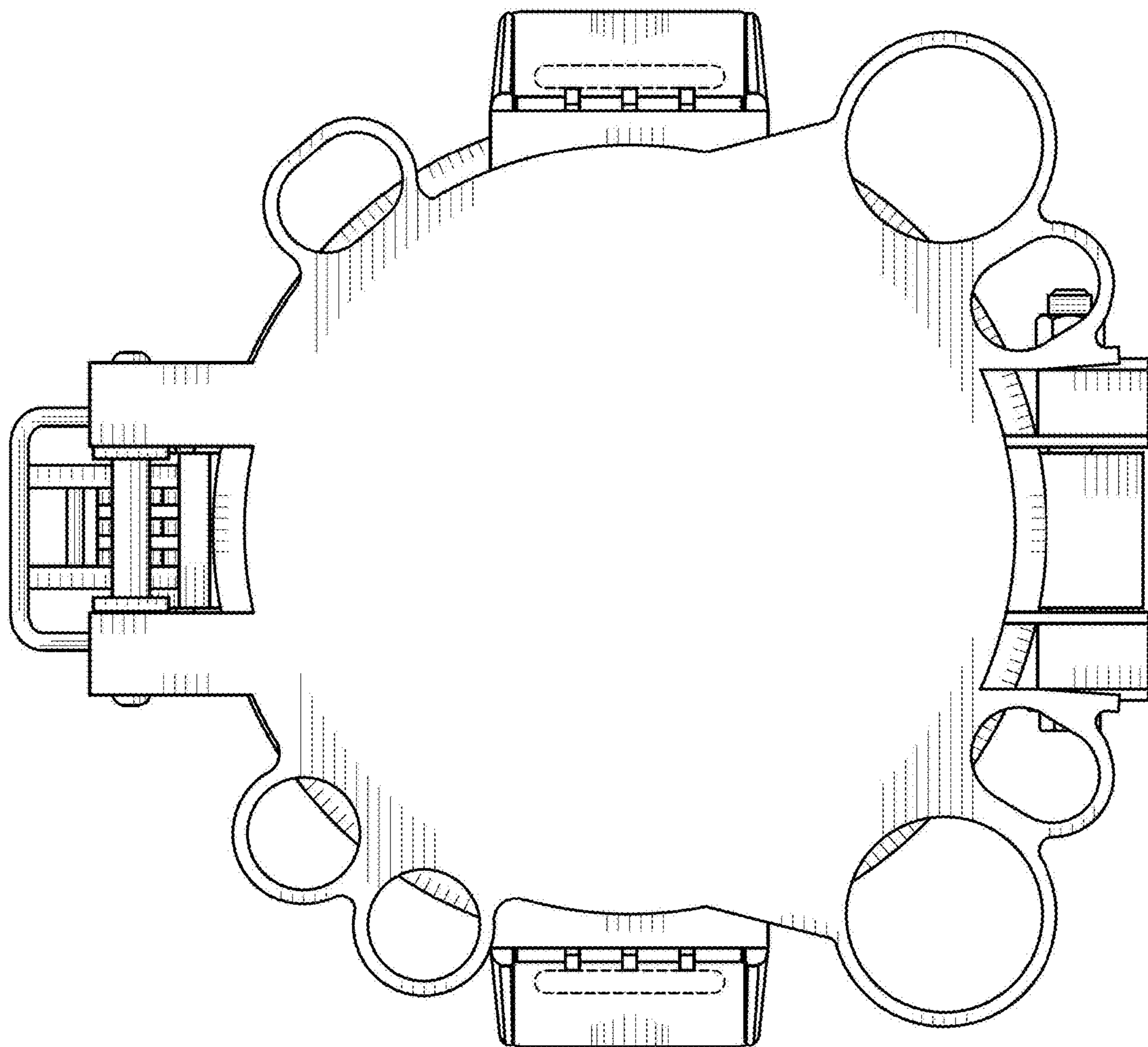


Fig. 4

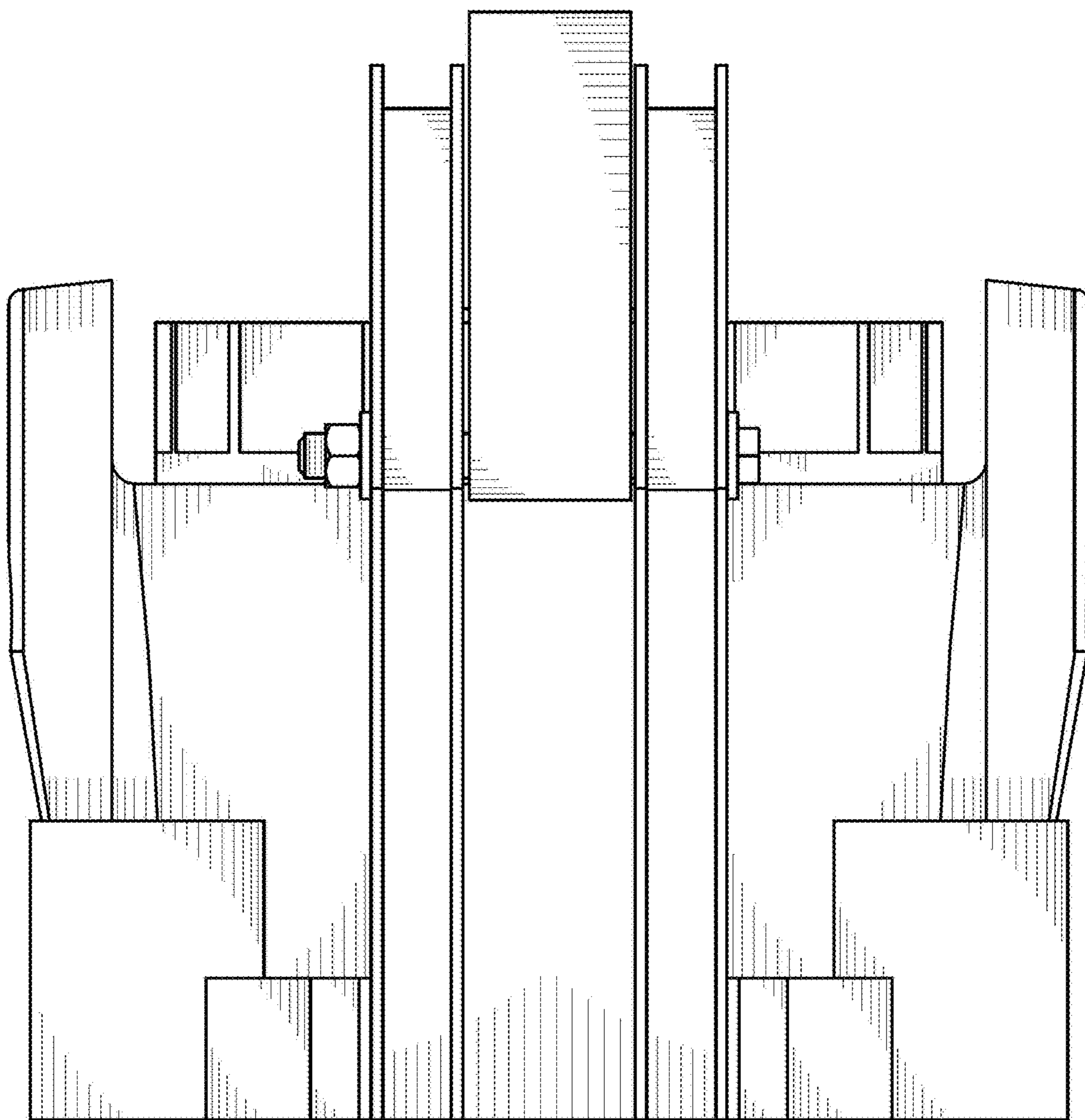


Fig. 5

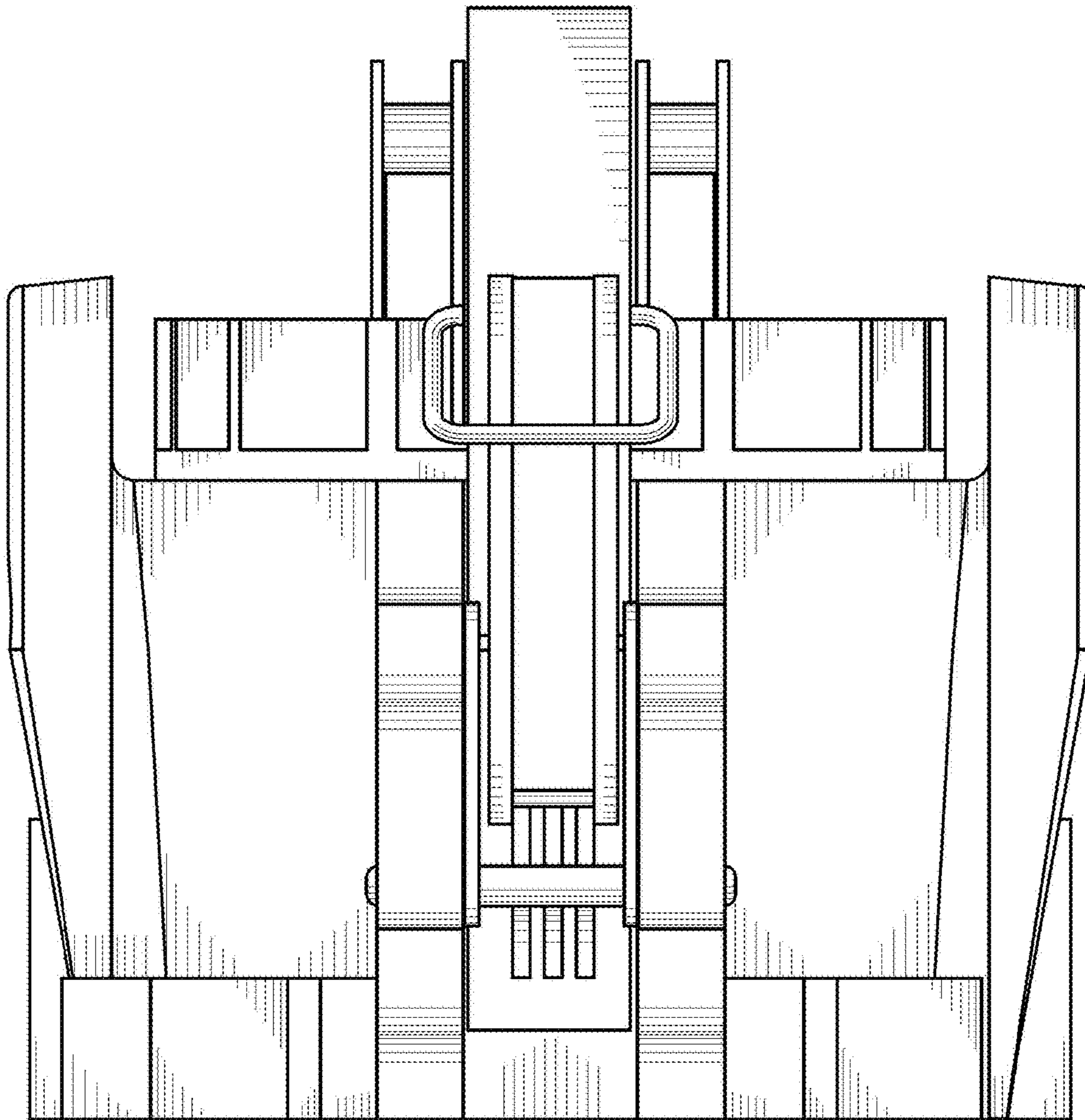


Fig. 6

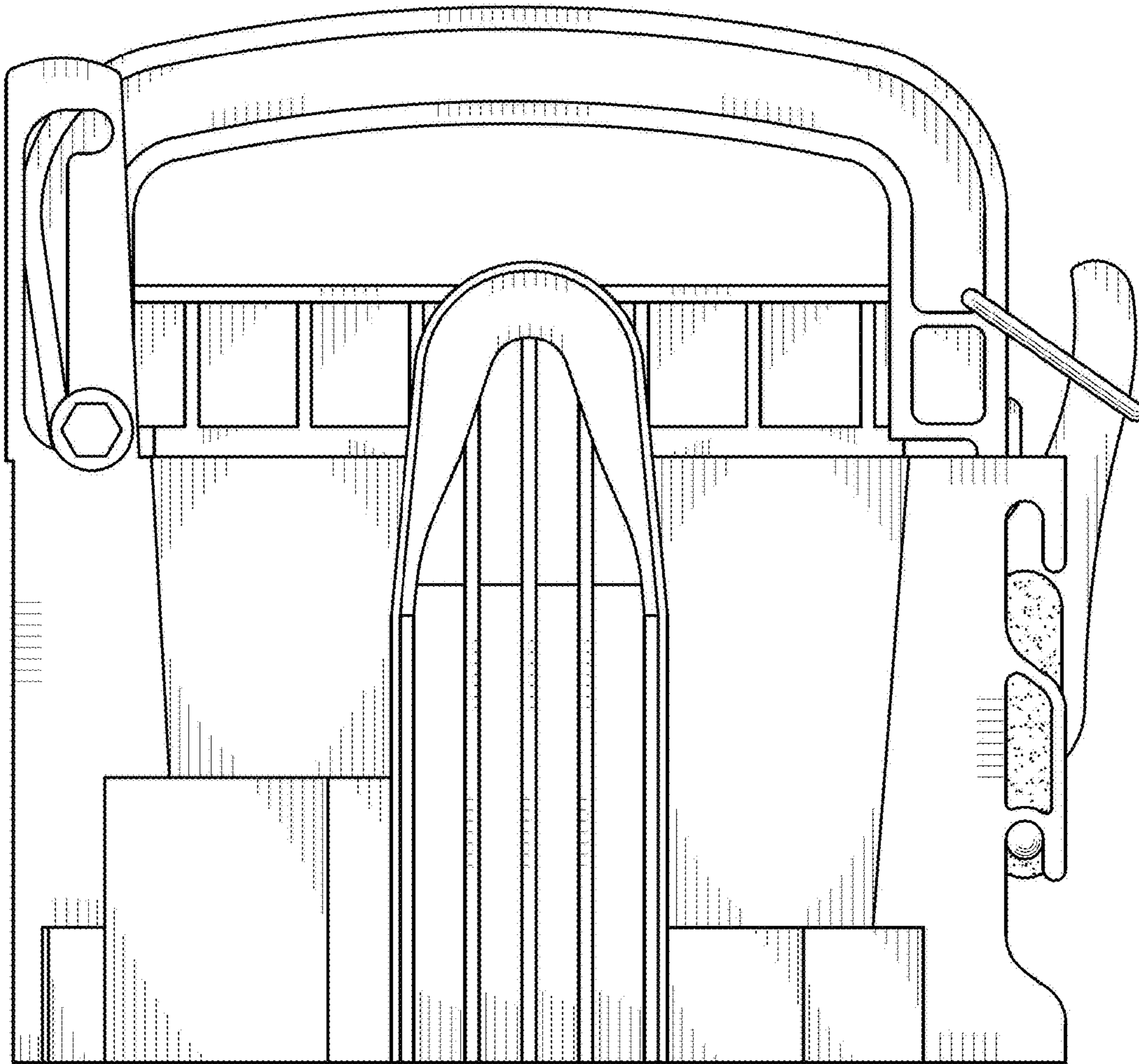


Fig. 7

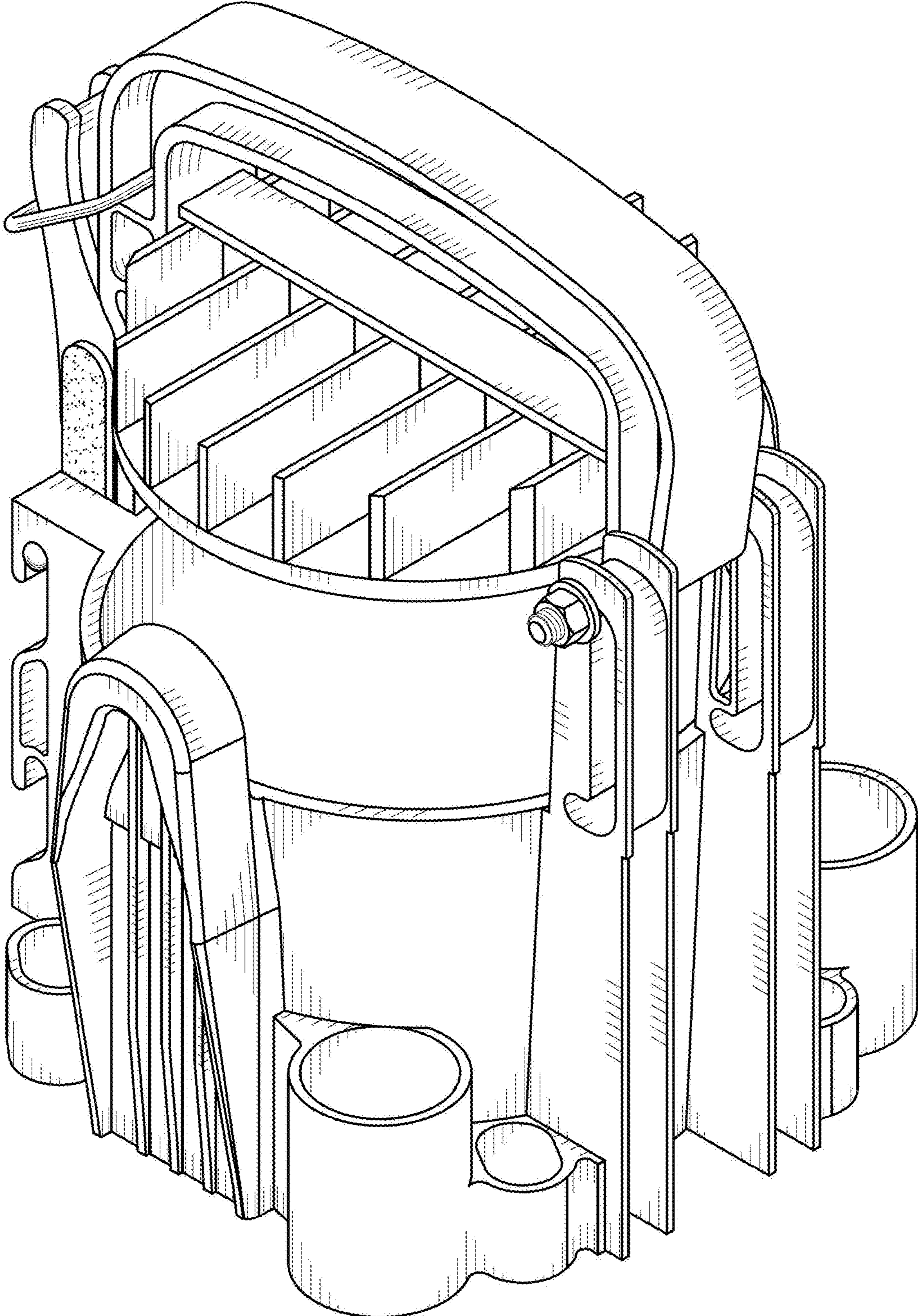


Fig. 8

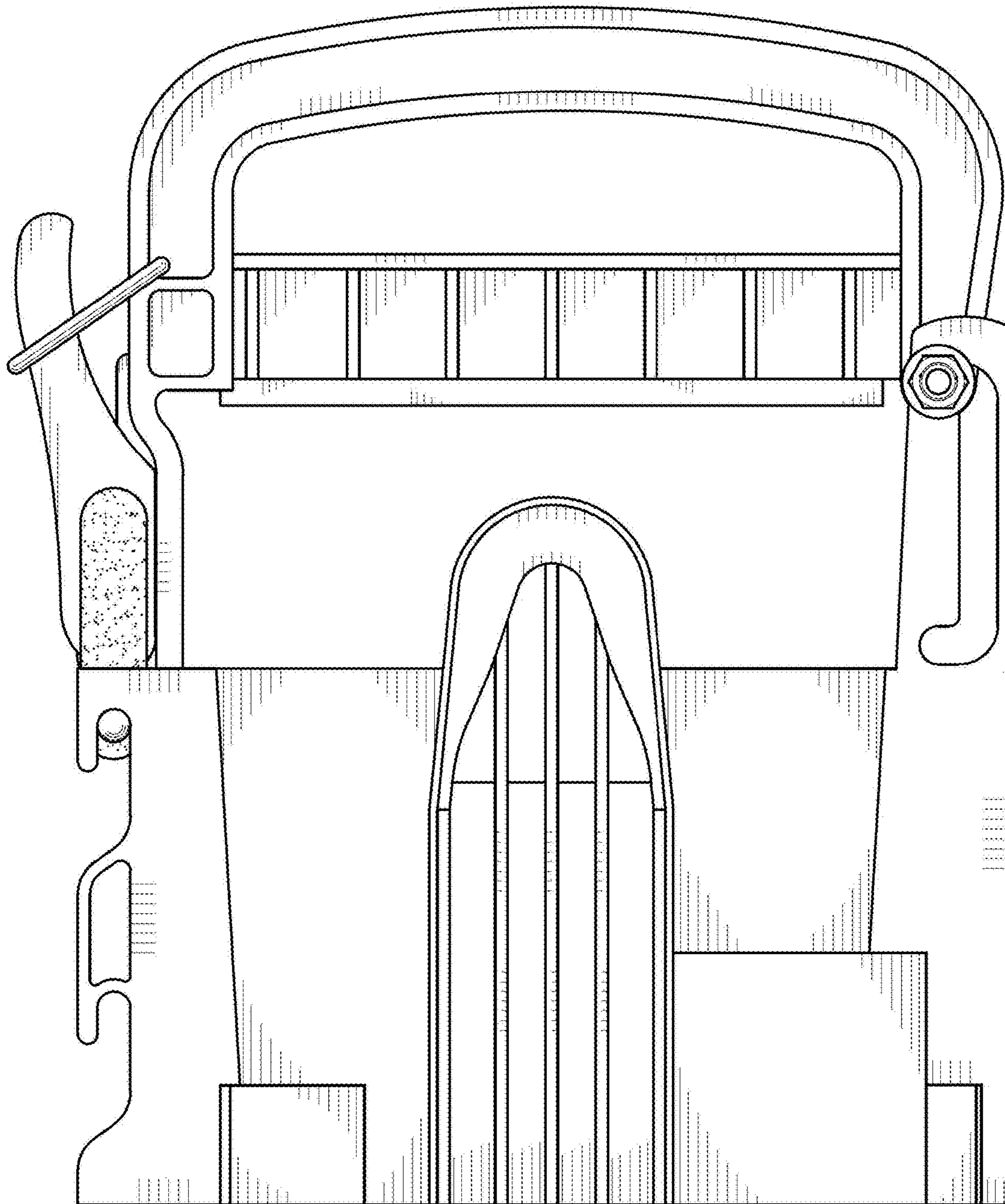


Fig. 9

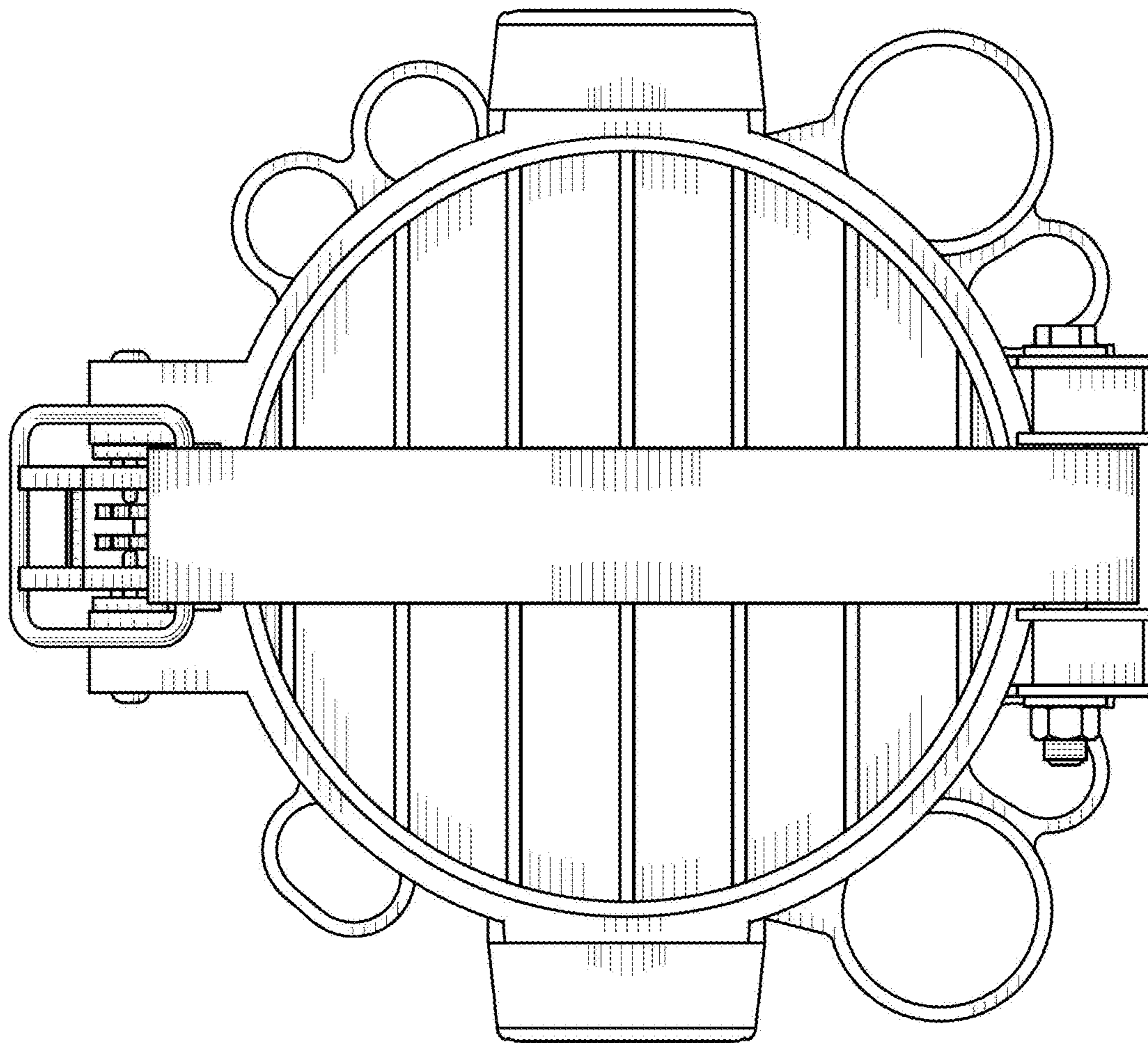


Fig. 10

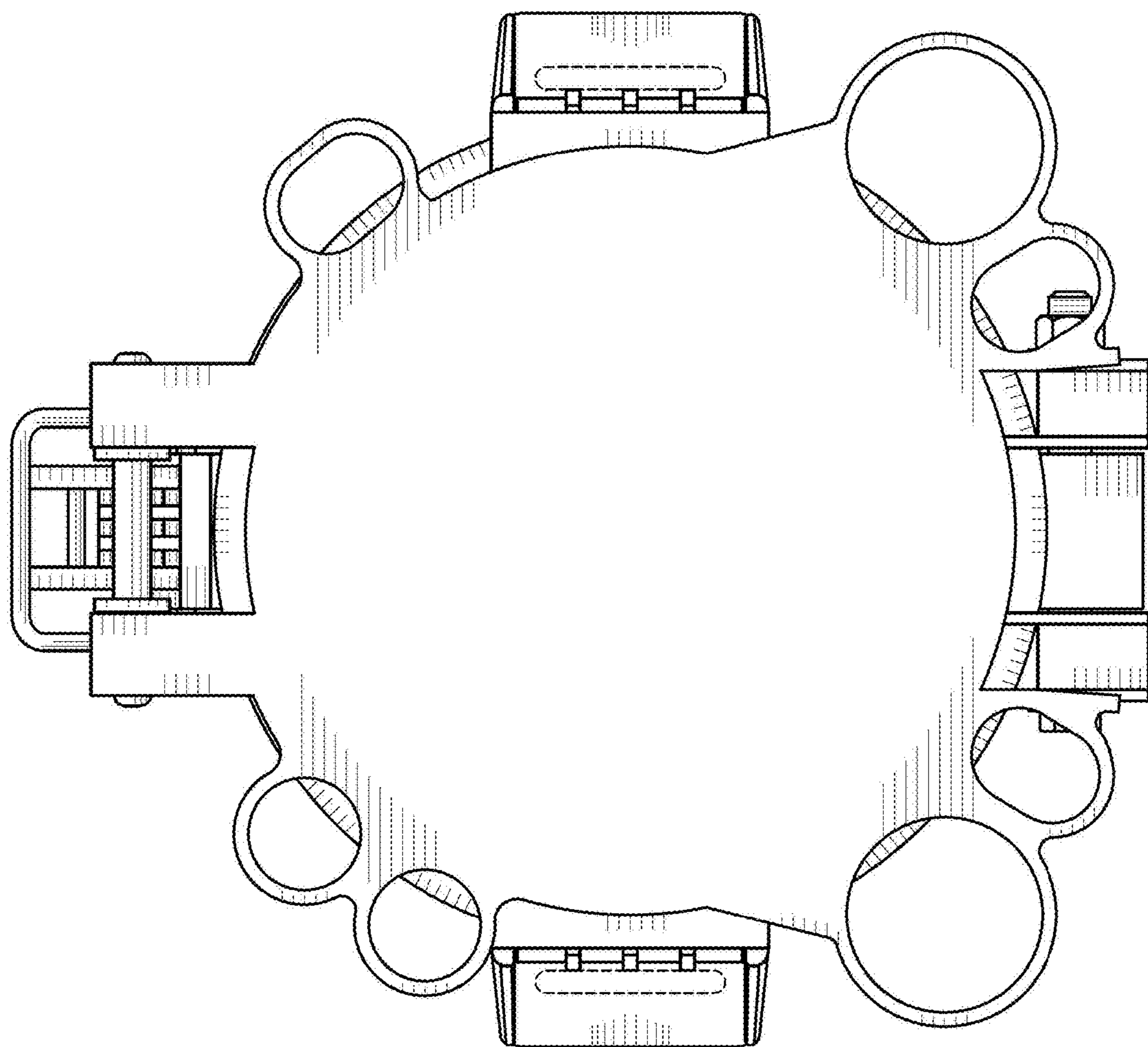


Fig. 11

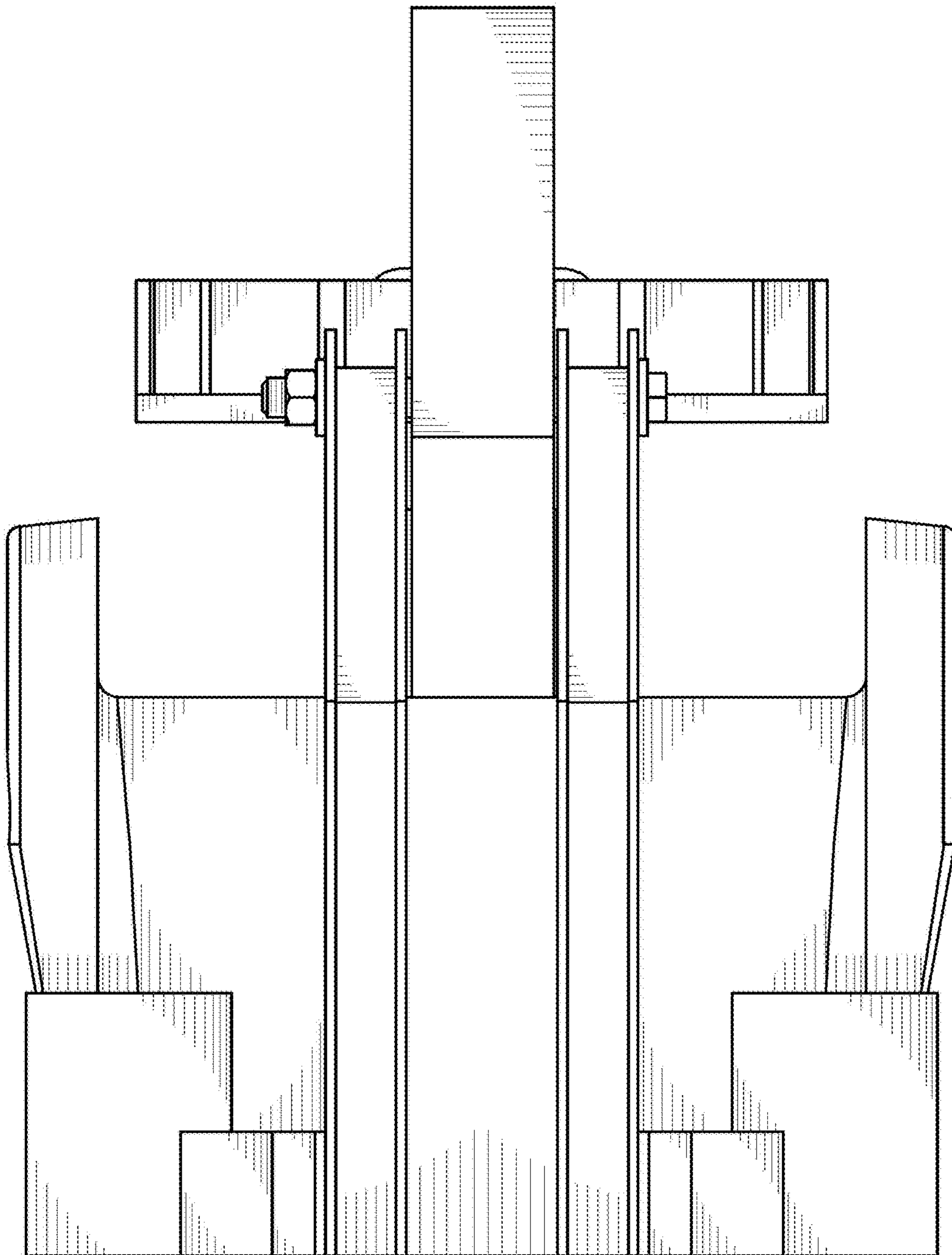


Fig. 12

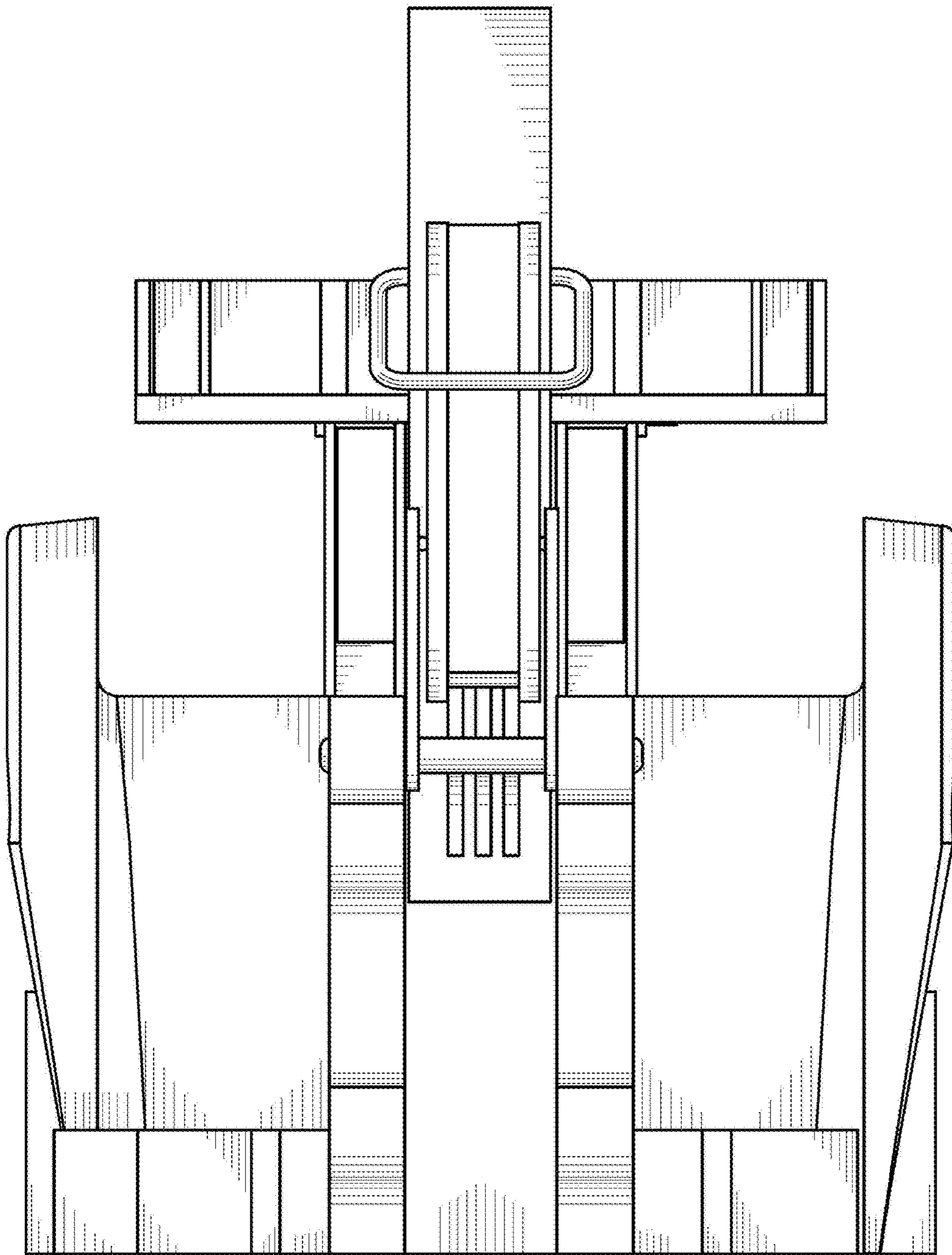


Fig. 13

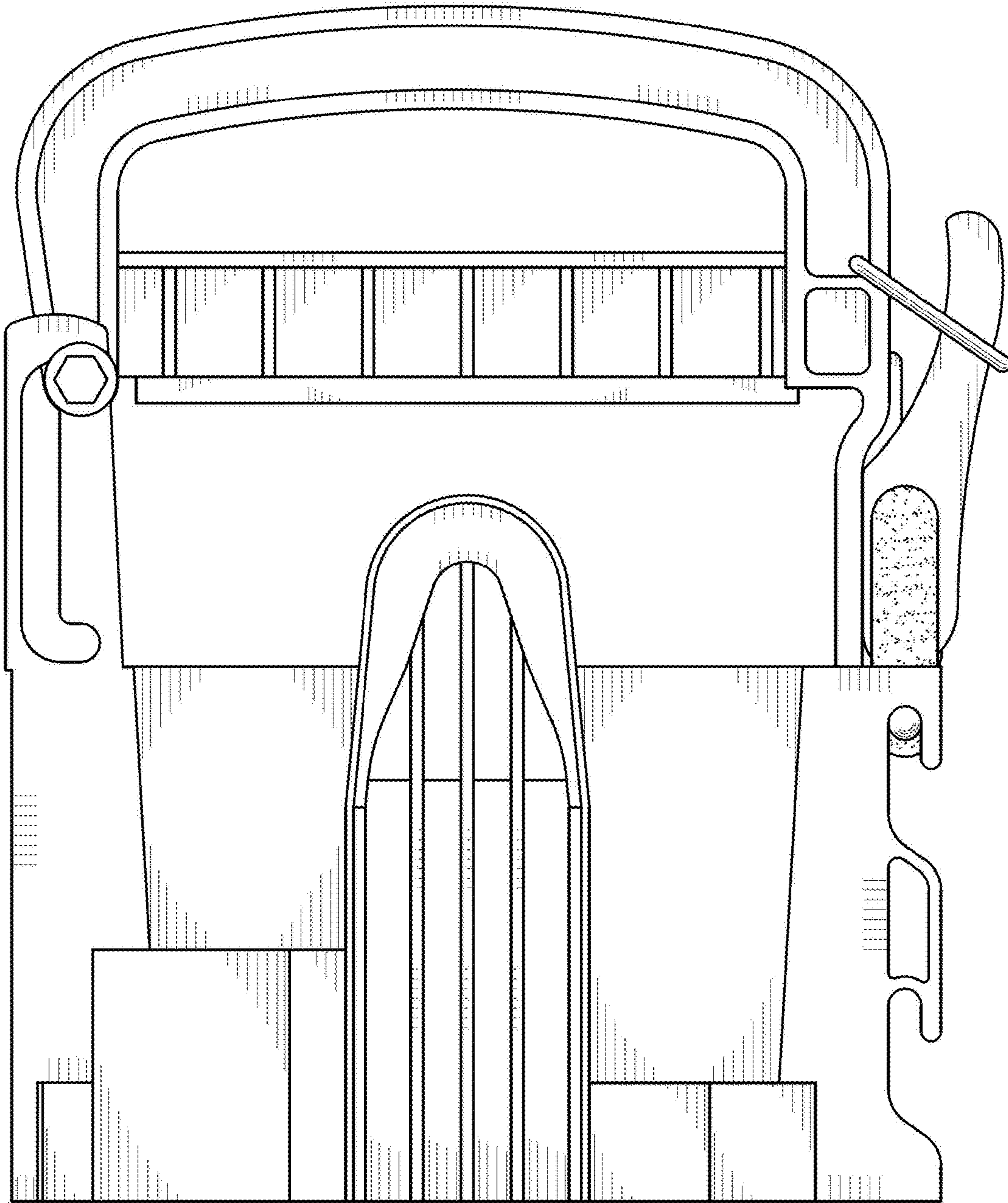


Fig. 14