



US00D836798S

(12) **United States Design Patent** (10) **Patent No.:** **US D836,798 S**
Brown (45) **Date of Patent:** **** Dec. 25, 2018**

(54) **PORTABLE TOILET**
(71) Applicant: **Porta-Can & Bottle Holdings LLC**,
Greensboro, NC (US)
(72) Inventor: **John T. Brown**, Liberty, NC (US)
(73) Assignee: **Porta-Can & Bottle Holdings LLC**,
Greensboro, NC (US)

D675,527 S * 2/2013 Rogers D9/443
D696,946 S * 1/2014 Hines D9/500
D722,508 S * 2/2015 Hirsberg D9/503
D729,944 S * 5/2015 Stoll D25/16
9,260,876 B1 * 2/2016 Brown E04H 1/1216
D767,399 S * 9/2016 Forsberg D20/22
D770,891 S * 11/2016 Porter D9/438
2005/0258175 A1 * 11/2005 Robertson B65D 17/165
220/269
2016/0160516 A1 * 6/2016 Brown E04H 1/1216
4/462

(**) Term: **15 Years**

(21) Appl. No.: **29/554,781**
(22) Filed: **Feb. 15, 2016**
(51) **LOC (11) Cl.** **25-03**
(52) **U.S. Cl.**
USPC **D25/16**
(58) **Field of Classification Search**
USPC D9/719, 738, 746, 751, 764, 767, 438,
D9/499; D25/1-34, 56
CPC .. E04H 1/12; E04H 1/12; E04H 1/121; B65D
17/16; B65D 17/28
See application file for complete search history.

OTHER PUBLICATIONS

Callahead: "The HeadMaster Flushing Portable Toilet", <http://www.callahead.com/portable-toilets/head-master/head-master.html>.
Kathy Prentice: "Getting your message before folks on the go", http://www.medialifemagazine.com:8080/news2001/mar01/mar26/1_mon/news5monday.html, Media Life, 2001.

* cited by examiner

Primary Examiner — Susan Bennett Hattan
Assistant Examiner — Suzanne E Tisdell
(74) *Attorney, Agent, or Firm* — Forrest Firm, PLLC

(56) **References Cited**

U.S. PATENT DOCUMENTS

D285,005 S * 8/1986 Italiane D24/202
D308,726 S * 6/1990 Fontaine D25/16
5,036,634 A * 8/1991 Lessard E04H 1/1205
446/105
D381,433 S * 7/1997 Priestley D25/16
D403,078 S * 12/1998 Allan D25/33
D489,459 S * 5/2004 Linn D25/10
D519,645 S 4/2006 Wright et al.
D545,451 S 6/2007 Urbanek
D569,009 S * 5/2008 Hallberg D25/16
D578,656 S * 10/2008 Holmstadt D25/16
D600,556 S * 9/2009 Chupak D9/500

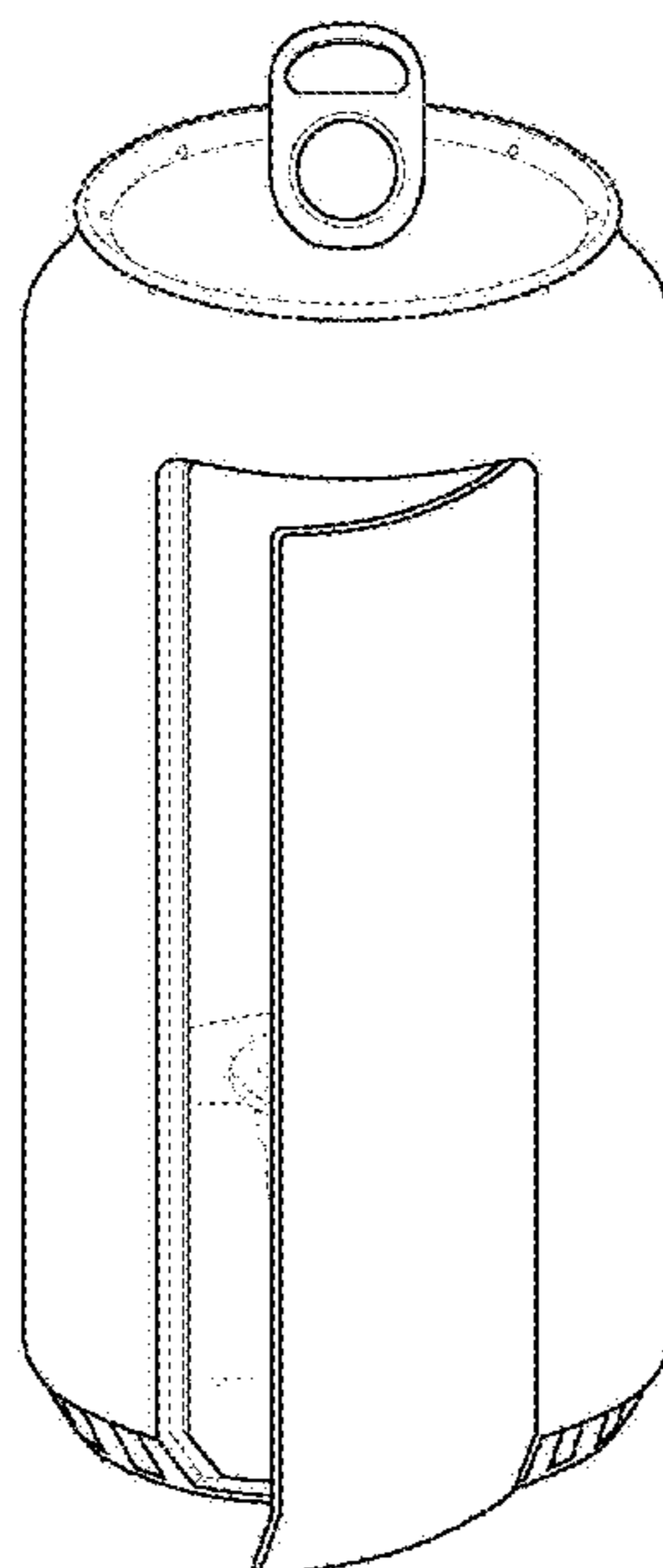
(57) **CLAIM**

I claim the ornamental design for the portable toilet, as shown and described.

DESCRIPTION

FIG. 1 is a front facing perspective of the portable toilet; FIG. 2 is a side facing perspective of the portable toilet; FIG. 3 is a side facing perspective of the portable toilet; FIG. 4 is a rear facing perspective of the portable toilet; FIG. 5 is a bottom facing perspective of the portable toilet; FIG. 6 is a top facing perspective of the portable toilet; and, FIG. 7 is a perspective view of the portable toilet.

1 Claim, 7 Drawing Sheets



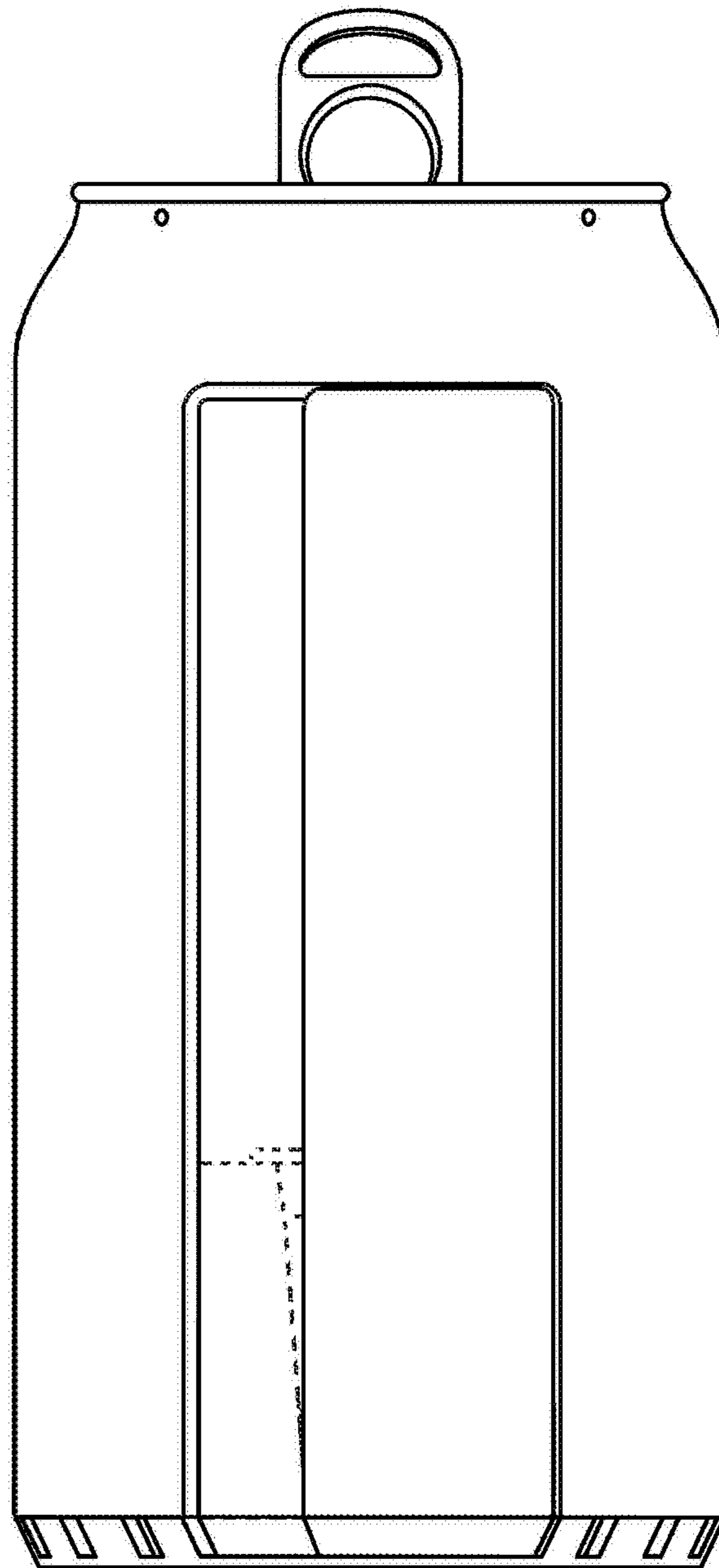


Fig. 1

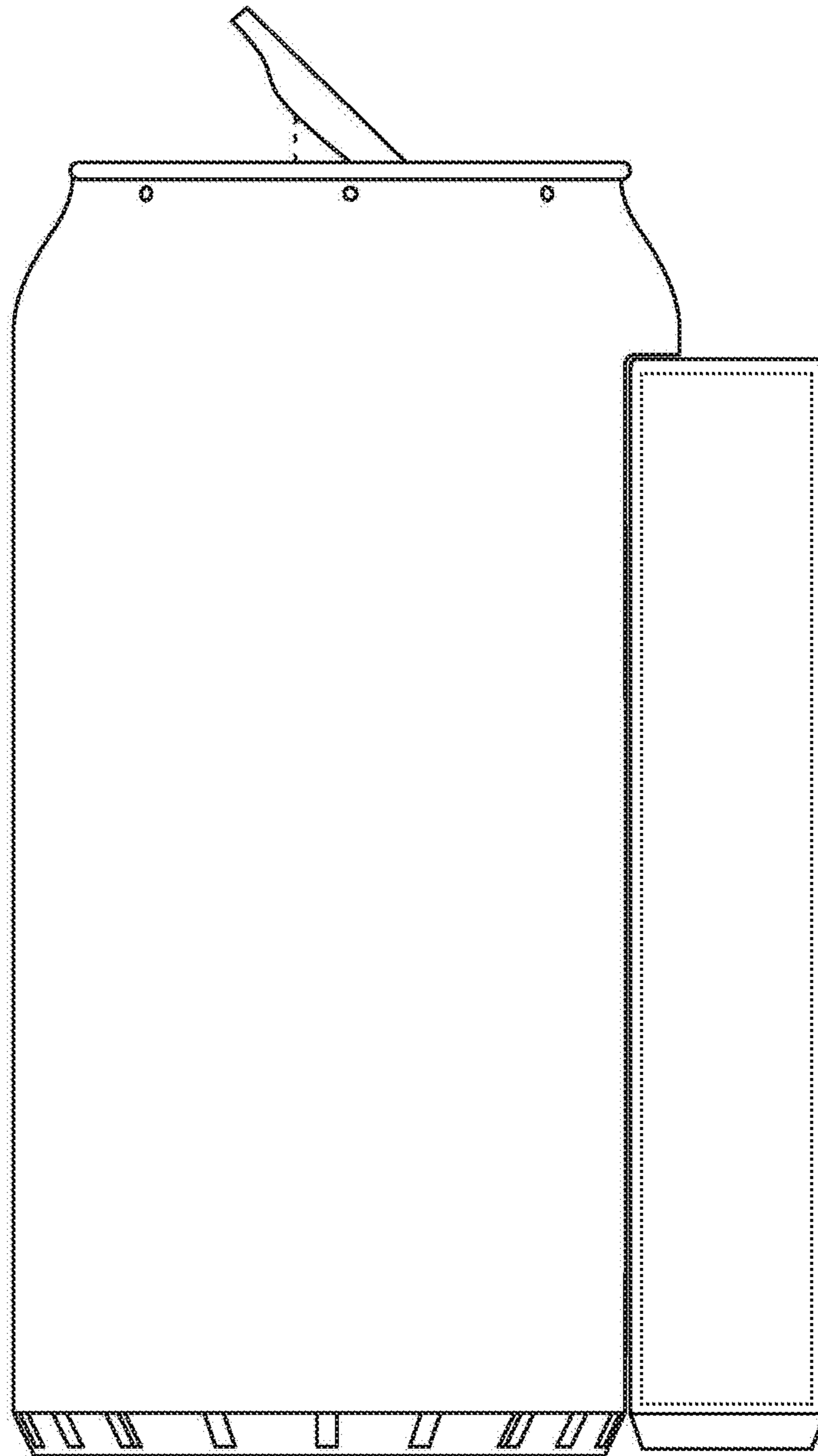


Fig. 2

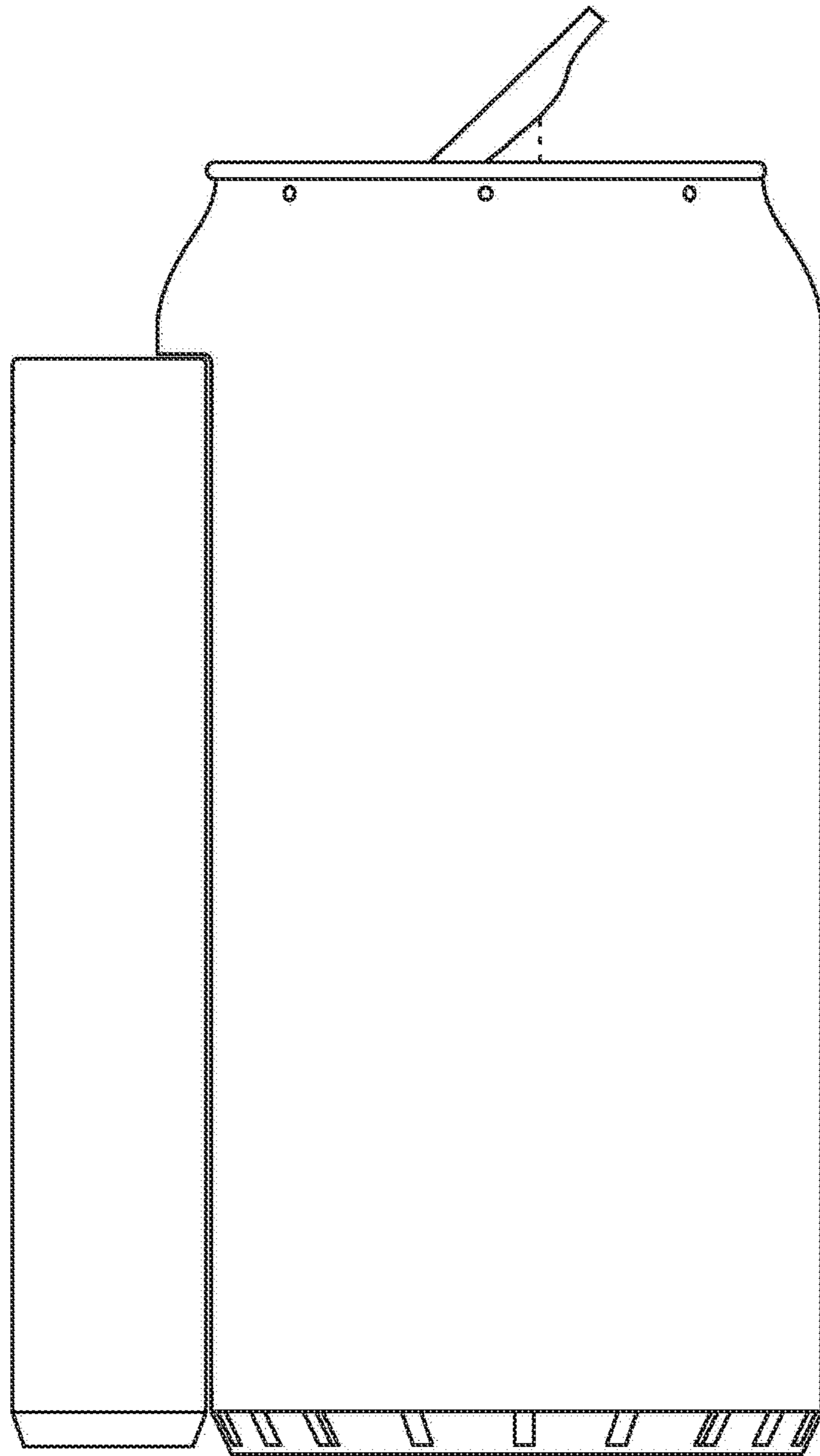


Fig. 3

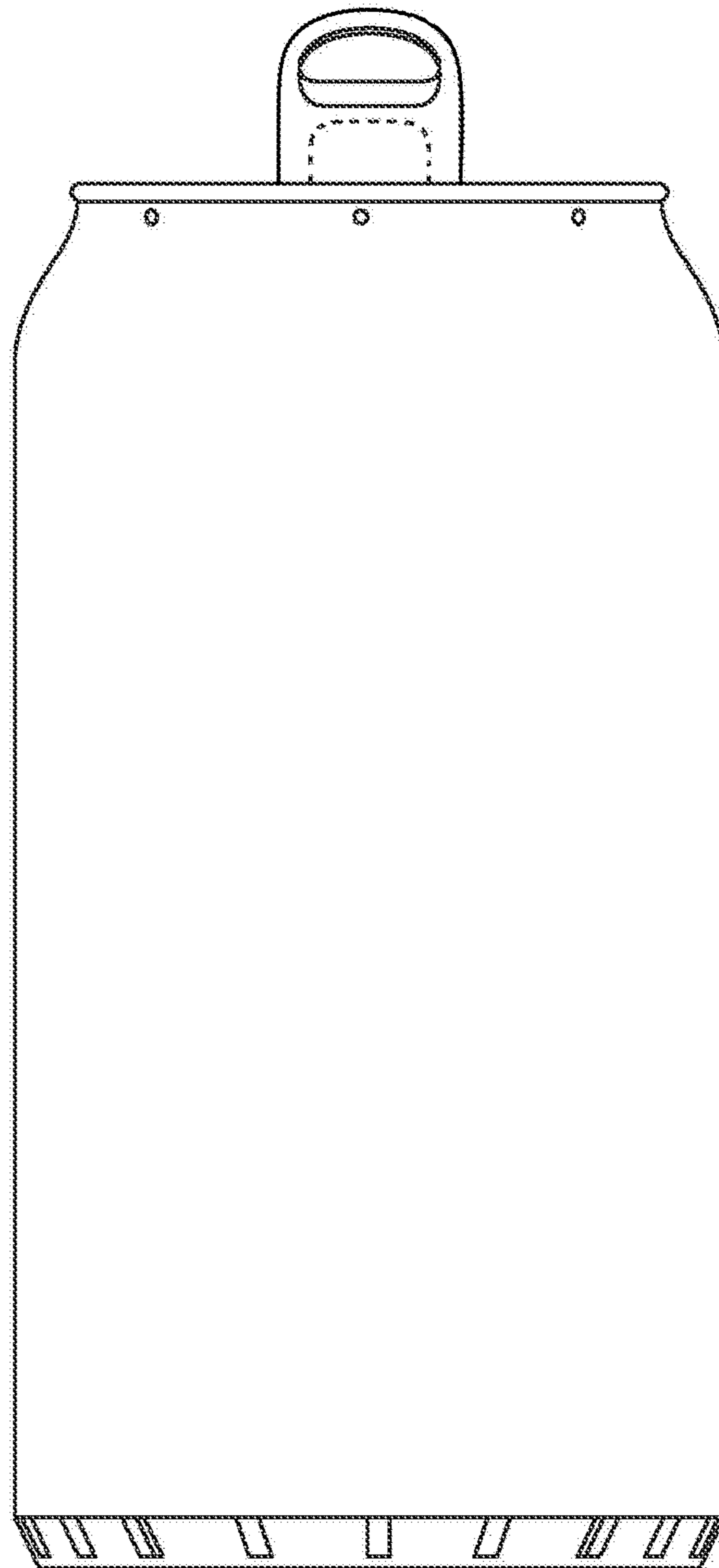


Fig. 4

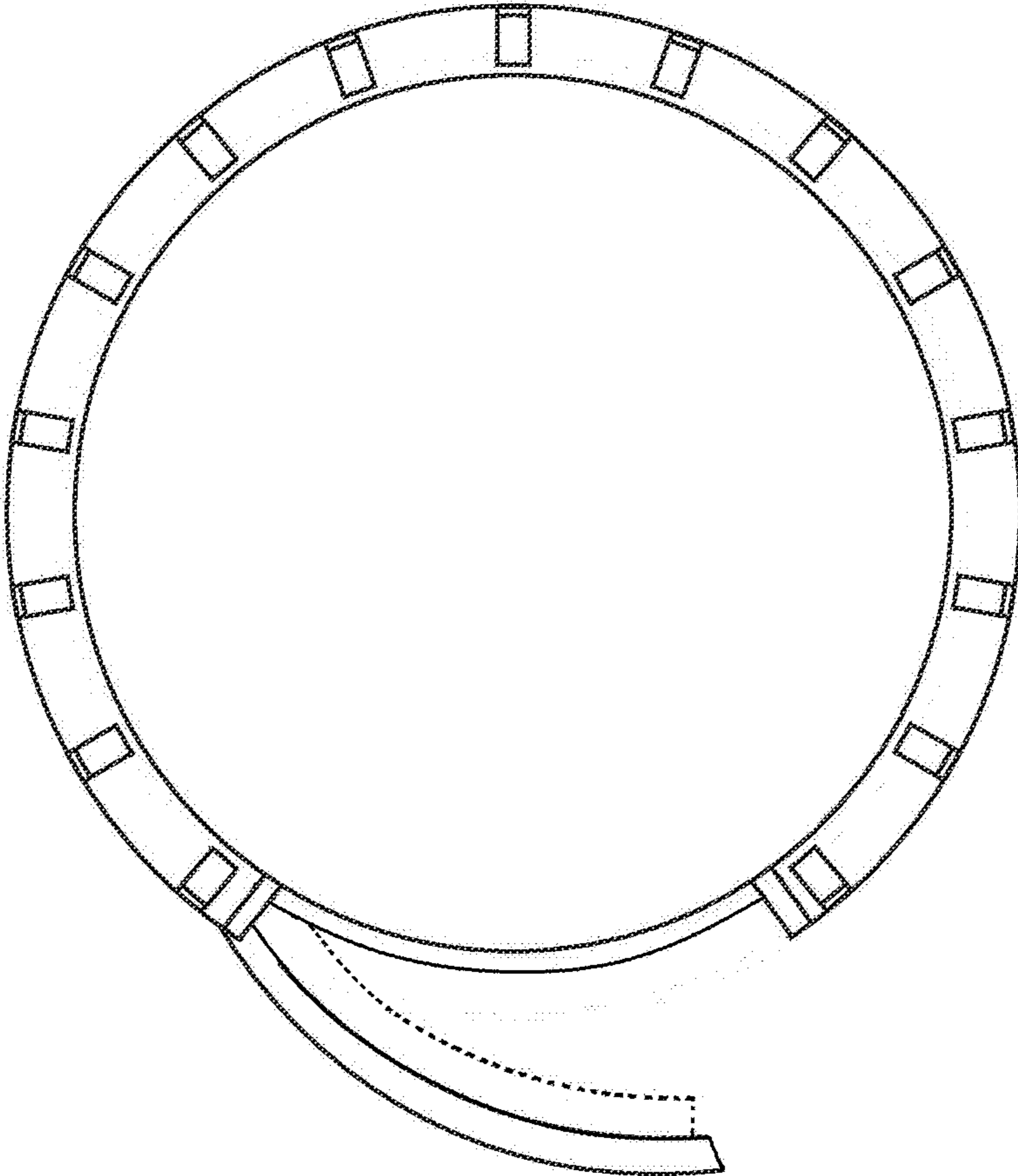


Fig. 5

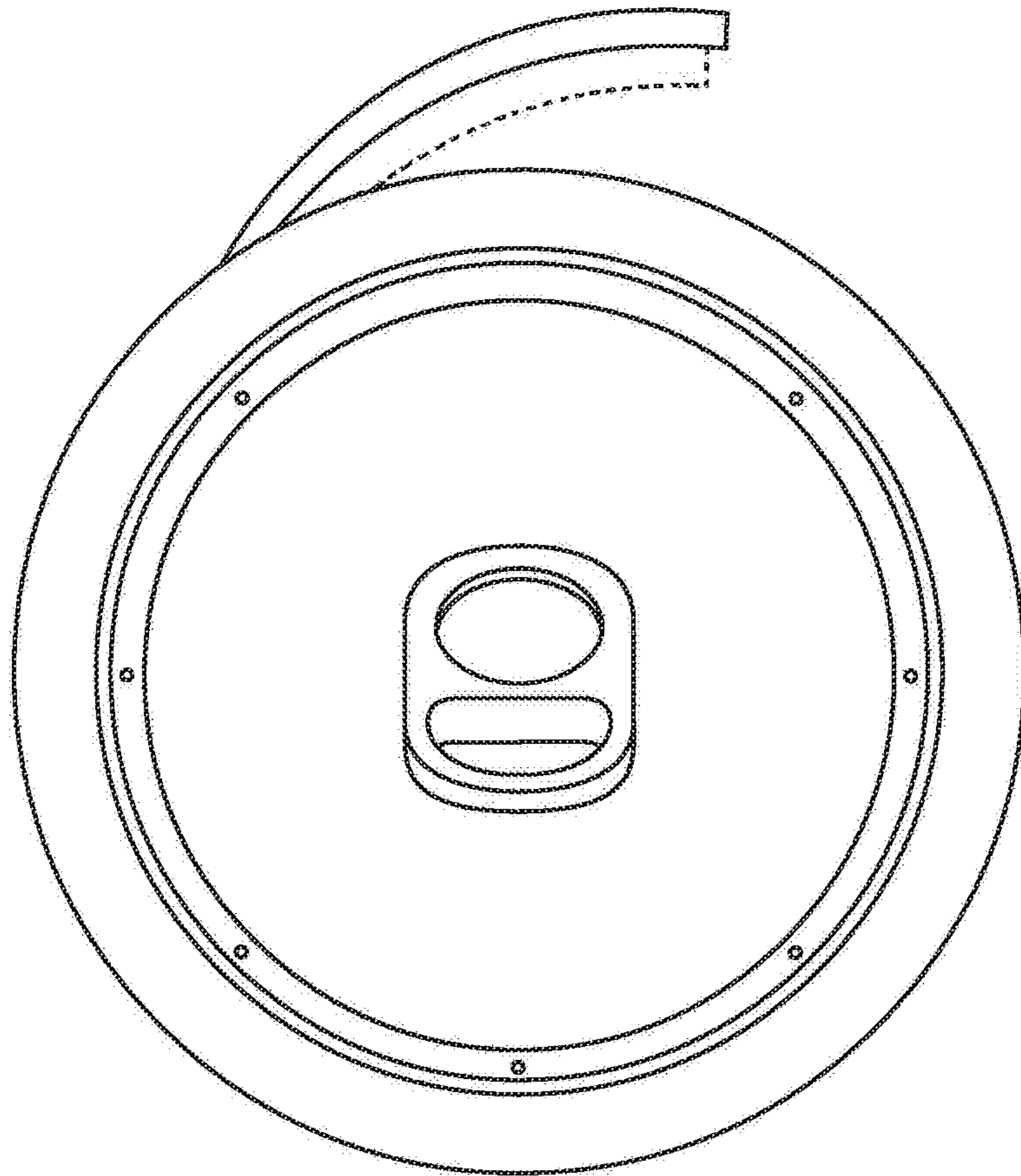


Fig. 6

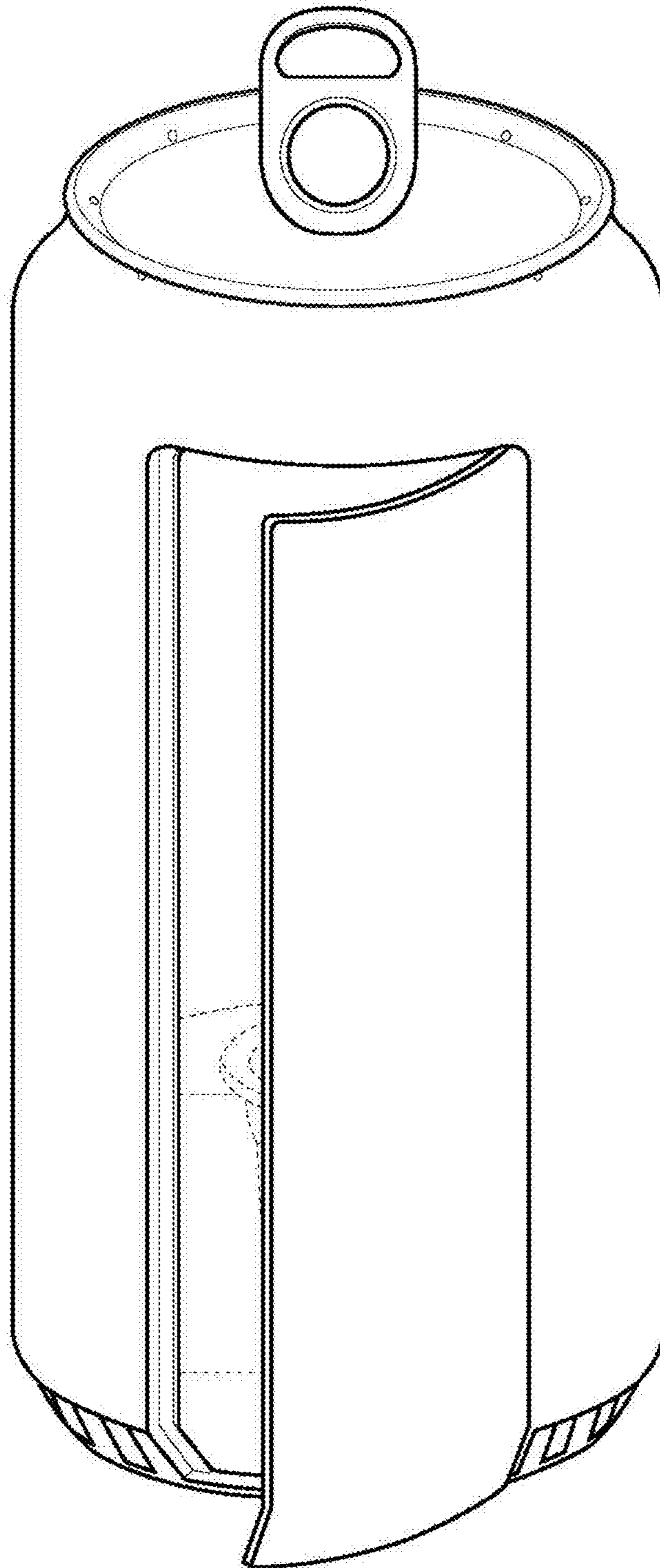


Fig. 7