



US00D836796S

(12) **United States Design Patent** (10) **Patent No.:** **US D836,796 S**
Leavitt et al. (45) **Date of Patent:** **** Dec. 25, 2018**

(54) **TISSUE SAMPLE RECEPTACLE**

OTHER PUBLICATIONS

(71) Applicant: **Leavitt Medical, Inc.**, Orem, UT (US)
(72) Inventors: **Matthew O. Leavitt**, Salt Lake City, UT (US); **Sorin Musat**, Bucharest (RO)
(73) Assignee: **Leavitt Medical, Inc.**, Lehi, UT (US)
(**) Term: **15 Years**

Eguiluz et al., Multiitssue array review: A chronological description of tissue array techniques, applications and procedures, Apr. 14, 2006, Elsevier.
Themis Biopsy Chip, Sectionable Matrix for Biopsy Chip for the Operating Room/PathLablTraining—Paraffin Frozen, Themis Pathology, Feb. 2016.

* cited by examiner

(21) Appl. No.: **29/593,566**

Primary Examiner — Anhdao Doan

Assistant Examiner — Mary Shannon Malley

(22) Filed: **Feb. 9, 2017**

(74) *Attorney, Agent, or Firm* — FisherBroyles, LLP

(51) **LOC (11) Cl.** **24-01**

(52) **U.S. Cl.**
USPC **D24/229**

(57) **CLAIM**

(58) **Field of Classification Search**
USPC D24/216, 222, 224–232
CPC ... G01N 1/30; G01N 2001/368; C12M 23/10;
C12M 23/12; C12M 23/34
See application file for complete search history.

The ornamental design for a tissue sample receptacle, as shown and described.

(56) **References Cited**

DESCRIPTION

U.S. PATENT DOCUMENTS

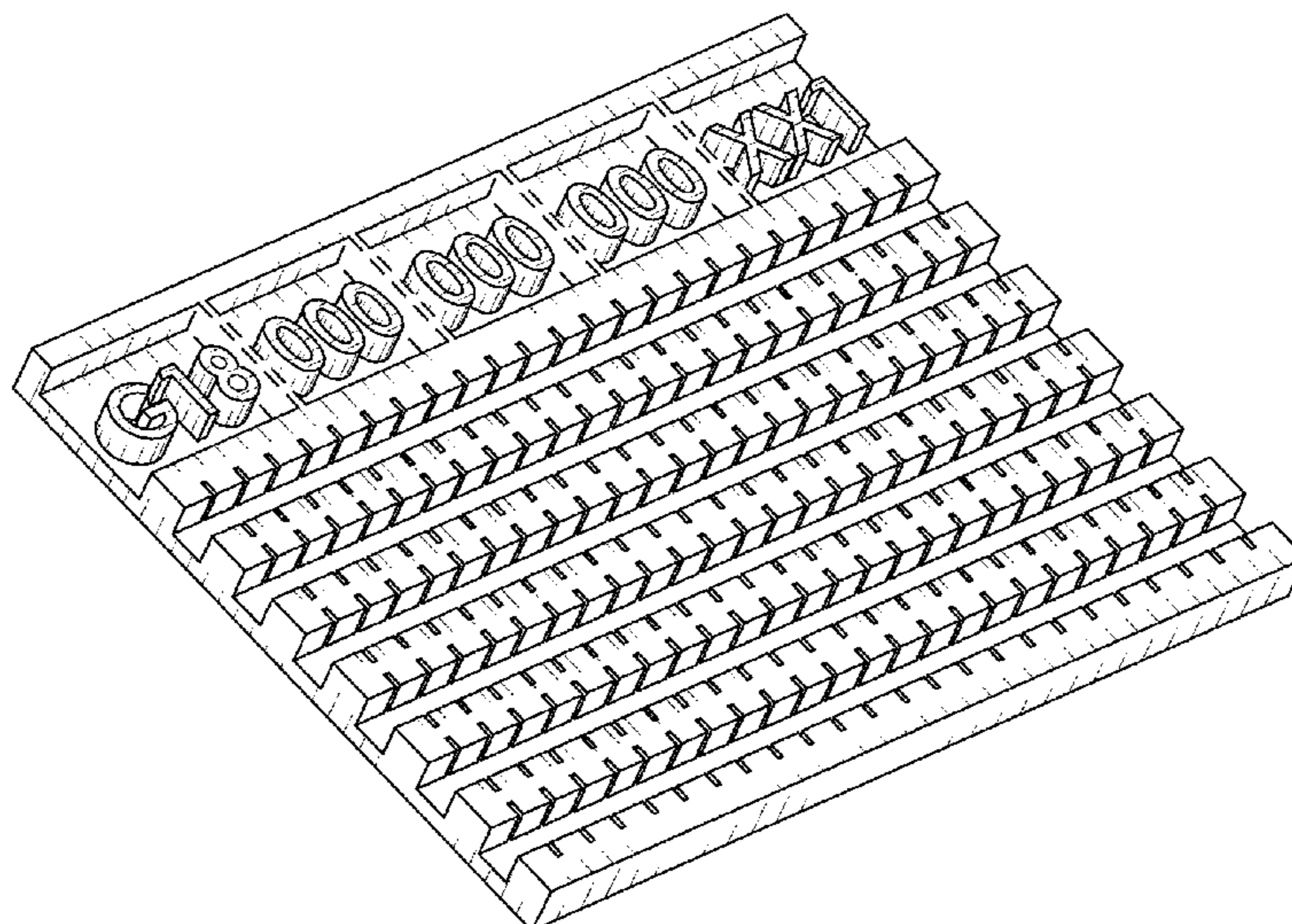
4,661,458 A * 4/1987 Berry C12M 23/34
210/321.75
D473,318 S * 4/2003 Barbera-Guillem D24/216
D622,407 S * 8/2010 Brown D24/229
D638,137 S * 5/2011 Gross D24/227
D718,466 S * 11/2014 So D24/224
D718,471 S * 11/2014 So D24/224
D755,986 S * 5/2016 Green D24/224
D792,602 S * 7/2017 Meng D24/216
9,851,349 B2 * 12/2017 Musat G01N 33/5436
2012/0208273 A1 * 8/2012 Tarunina C12M 23/34
435/366
2014/0073004 A1 3/2014 Williamson, IV et al.
2014/0135236 A1 5/2014 Musat

FIG. 1 is a front perspective view of a tissue sample receptacle showing our new design.
FIG. 2 is a front side view of the tissue sample receptacle shown in FIG. 1.
FIG. 3 is a back side view of the tissue sample receptacle shown in FIG. 1.
FIG. 4 is a left side view of the tissue sample receptacle shown in FIG. 1.
FIG. 5 is a right side view of the tissue sample receptacle shown in FIG. 1.
FIG. 6 is a top view of the tissue sample receptacle shown in FIG. 1; and,
FIG. 7 is a bottom view of the tissue sample receptacle shown in FIG. 1.
The broken lines show portions of the tissue sample receptacle that form no part of the claimed design.

FOREIGN PATENT DOCUMENTS

WO 2006039396 A2 4/2006

1 Claim, 3 Drawing Sheets



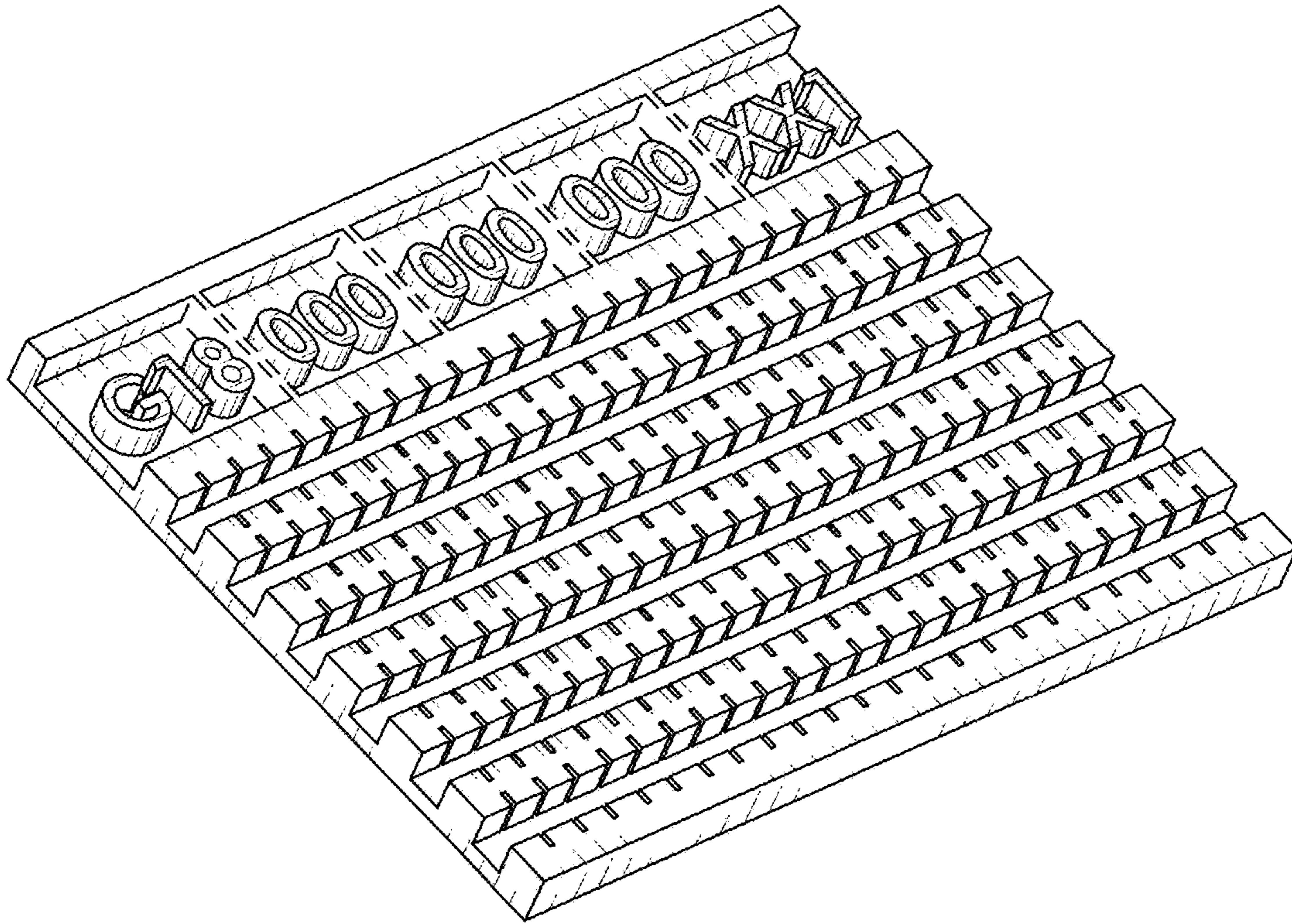


FIG. 1

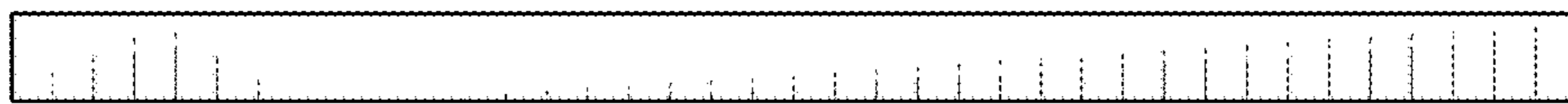


FIG. 2

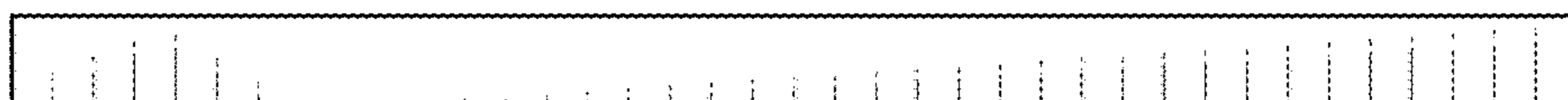


FIG. 3

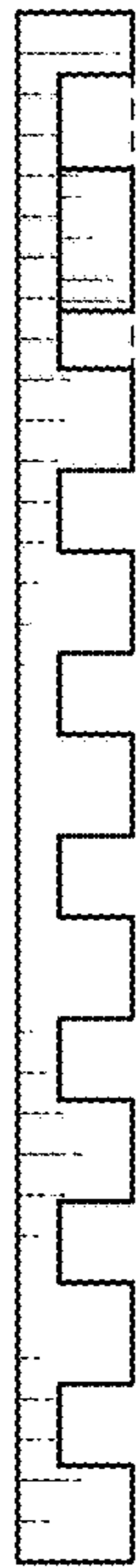


FIG. 4

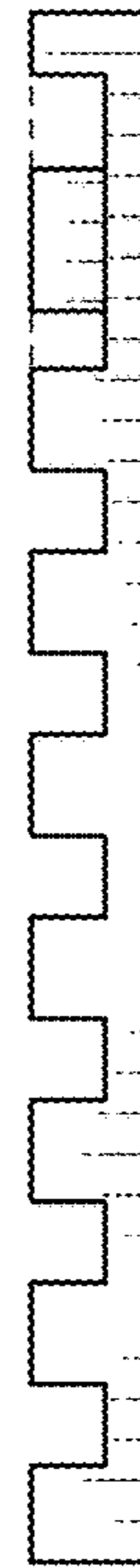


FIG. 5

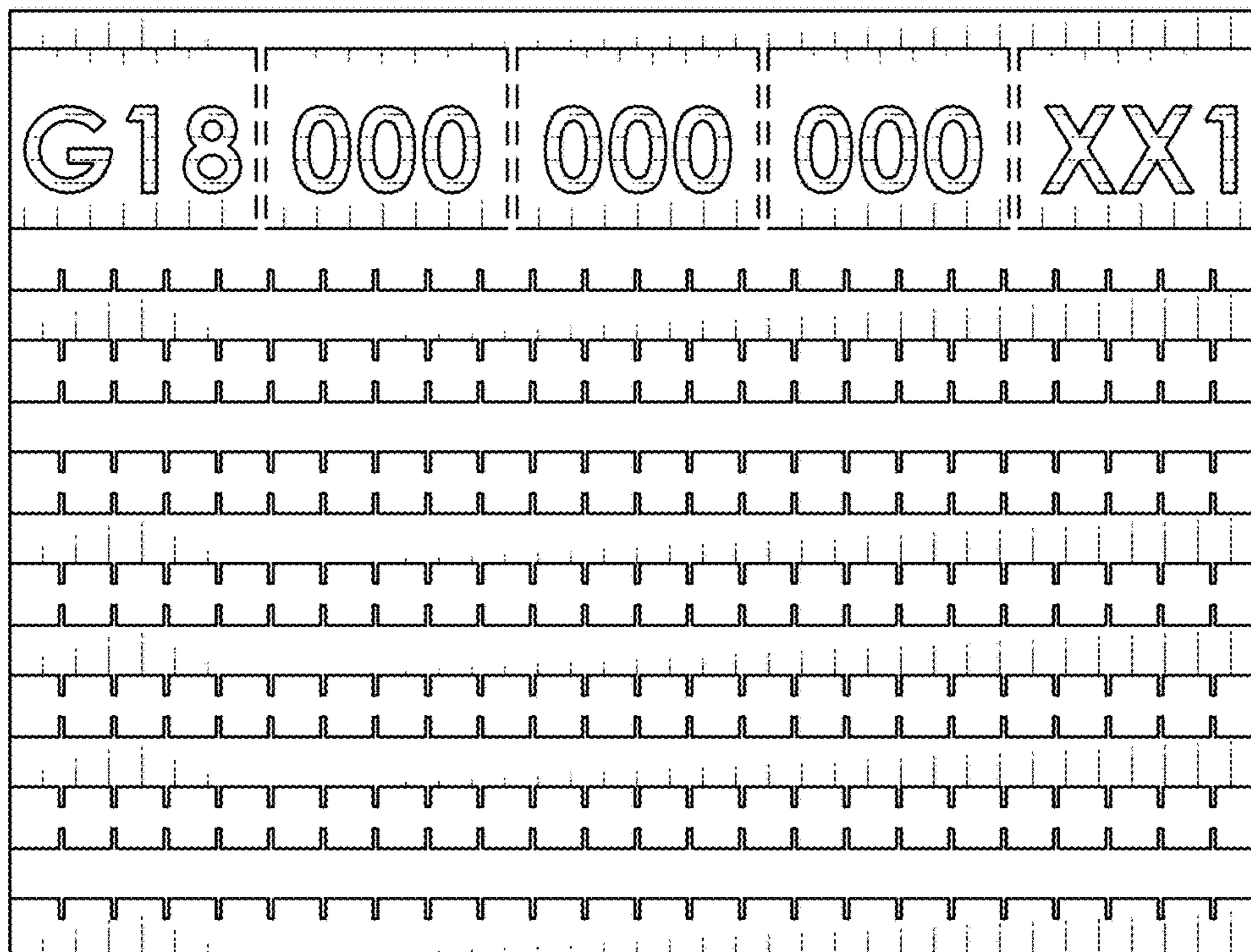


FIG. 6

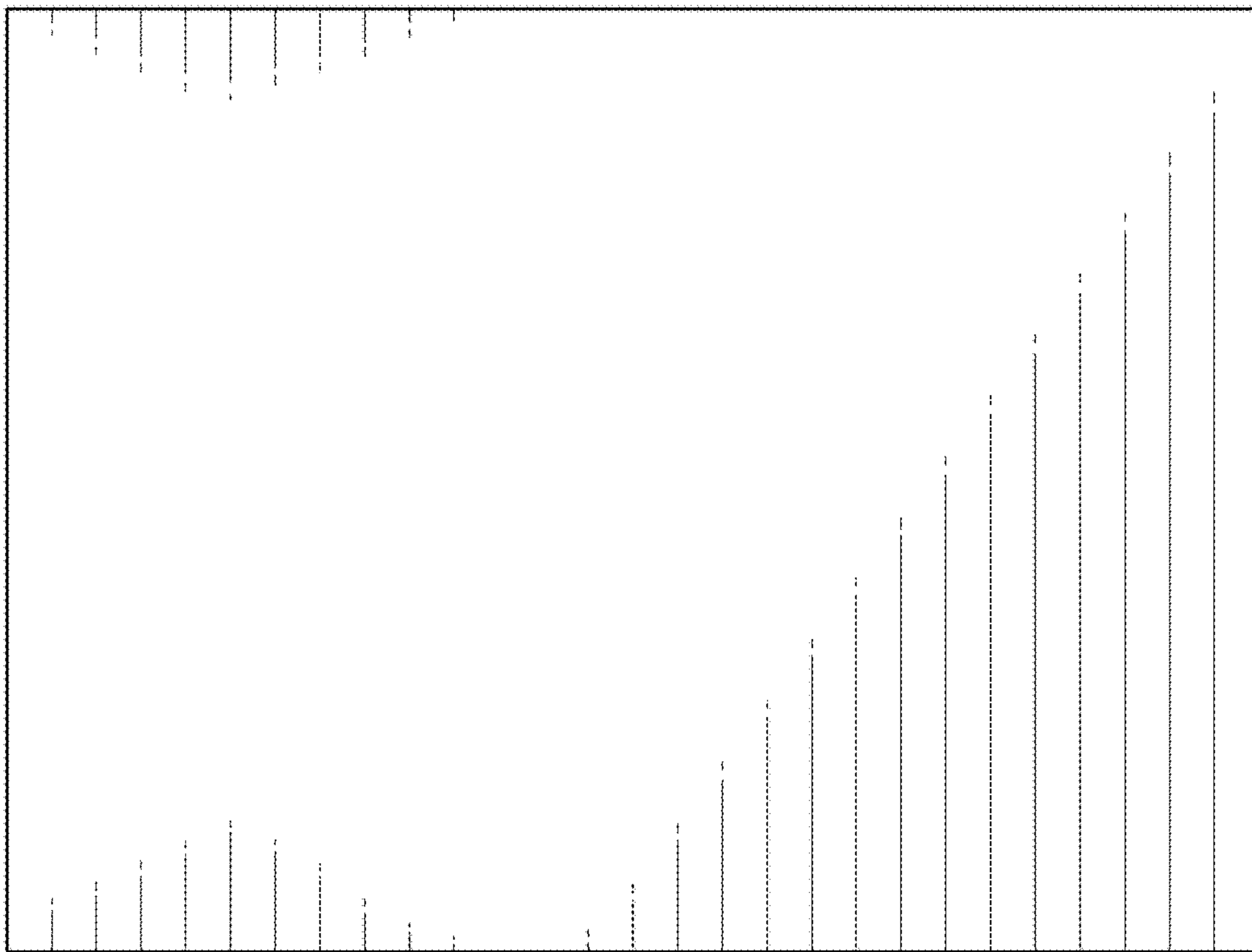


FIG. 7