



US00D836794S

(12) **United States Design Patent**
Livingston et al.

(10) **Patent No.:** **US D836,794 S**

(45) **Date of Patent:** **** Dec. 25, 2018**

- (54) **SAMPLE CONTAINER RACK**
- (71) Applicant: **Becton, Dickinson and Company**,
Franklin Lakes, NJ (US)
- (72) Inventors: **Dwight Livingston**, Fallston, MD (US);
Michael T. VanSickler, Columbia, MD (US)
- (73) Assignee: **Becton, Dickinson and Company**,
Franklin Lakes, NJ (US)
- (**) Term: **15 Years**
- (21) Appl. No.: **29/554,966**
- (22) Filed: **Feb. 17, 2016**
- (51) **LOC (11) Cl.** **24-02**
- (52) **U.S. Cl.**
USPC **D24/224**
- (58) **Field of Classification Search**
USPC D24/224, 216, 217, 219, 225–229,
D24/230–232; D9/755–758; 211/126.1;
422/549–553, 558, 916; 435/288.1,
435/288.4, 304.1
CPC B01L 9/06; B01L 9/065; B01L 3/00; B01L
3/14; B01L 3/50
See application file for complete search history.

- D639,447 S * 6/2011 Karpiloff D24/230
- 8,142,740 B2 * 3/2012 Self B01L 9/06
206/139
- D699,371 S * 2/2014 Williams D24/230
- D709,323 S * 7/2014 Brown D7/213
- D710,024 S * 7/2014 Guo D24/230
- 8,808,650 B1 * 8/2014 Iqbal B01L 9/06
422/562
- D734,867 S * 7/2015 Smeja D24/230

(Continued)

Primary Examiner — Susan Bennett Hattan
Assistant Examiner — Rebecca Tsehaye
 (74) *Attorney, Agent, or Firm* — Lerner, David,
 Littenberg, Krumholz & Mentlik, LLP

(57) **CLAIM**

The ornamental design for a sample container rack, as shown and described.

DESCRIPTION

The present application is related to U.S. Design patent application Ser. No. 29/554,962, also entitled Sample Container Rack and filed on Feb. 17, 2016, as well as U.S. Design patent application Ser. No. 29/554,968, also entitled Sample Container Rack and filed on Feb. 17, 2016, the disclosures of which are all incorporated herein by reference.

FIG. 1 is a front perspective view of a sample container rack according to our design;
 FIG. 2 is a front elevation view thereof;
 FIG. 3 is a rear elevation view thereof;
 FIG. 4 is a left side elevation view thereof;
 FIG. 5 is a right side elevation view thereof;
 FIG. 6 is a top plan view thereof; and,
 FIG. 7 is a bottom plan view thereof.

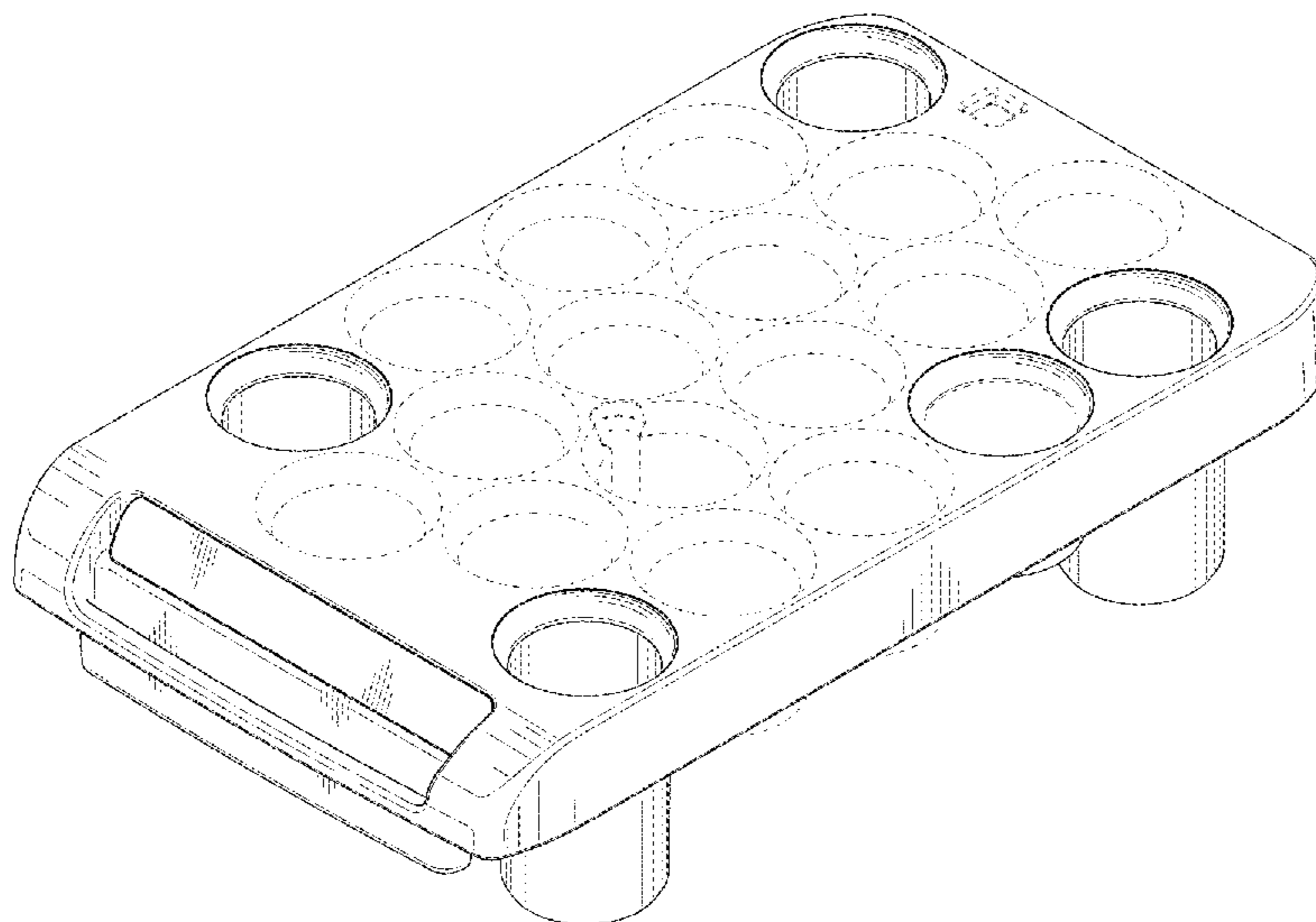
The broken lines illustrate unclaimed environmental structure and form no part of the claimed design. The dot-dash lines in FIG. 7 form a boundary line that forms no part of the claimed design.

1 Claim, 5 Drawing Sheets

(56) **References Cited**

U.S. PATENT DOCUMENTS

- D245,118 S * 7/1977 Heaton 206/562
- 4,389,374 A * 6/1983 Sutton B01L 9/06
206/201
- 4,963,493 A * 10/1990 Daftsios B01D 11/04
206/569
- 5,508,005 A * 4/1996 Mathus B01L 3/5085
422/551
- D411,308 S * 6/1999 Pandey D24/216
- D448,854 S * 10/2001 Kuiper D24/227
- D629,122 S * 12/2010 Karpiloff D24/230



(56)

References Cited

U.S. PATENT DOCUMENTS

D739,680 S * 9/2015 Smeja D24/230
D767,164 S * 9/2016 Schimmel D24/226

* cited by examiner

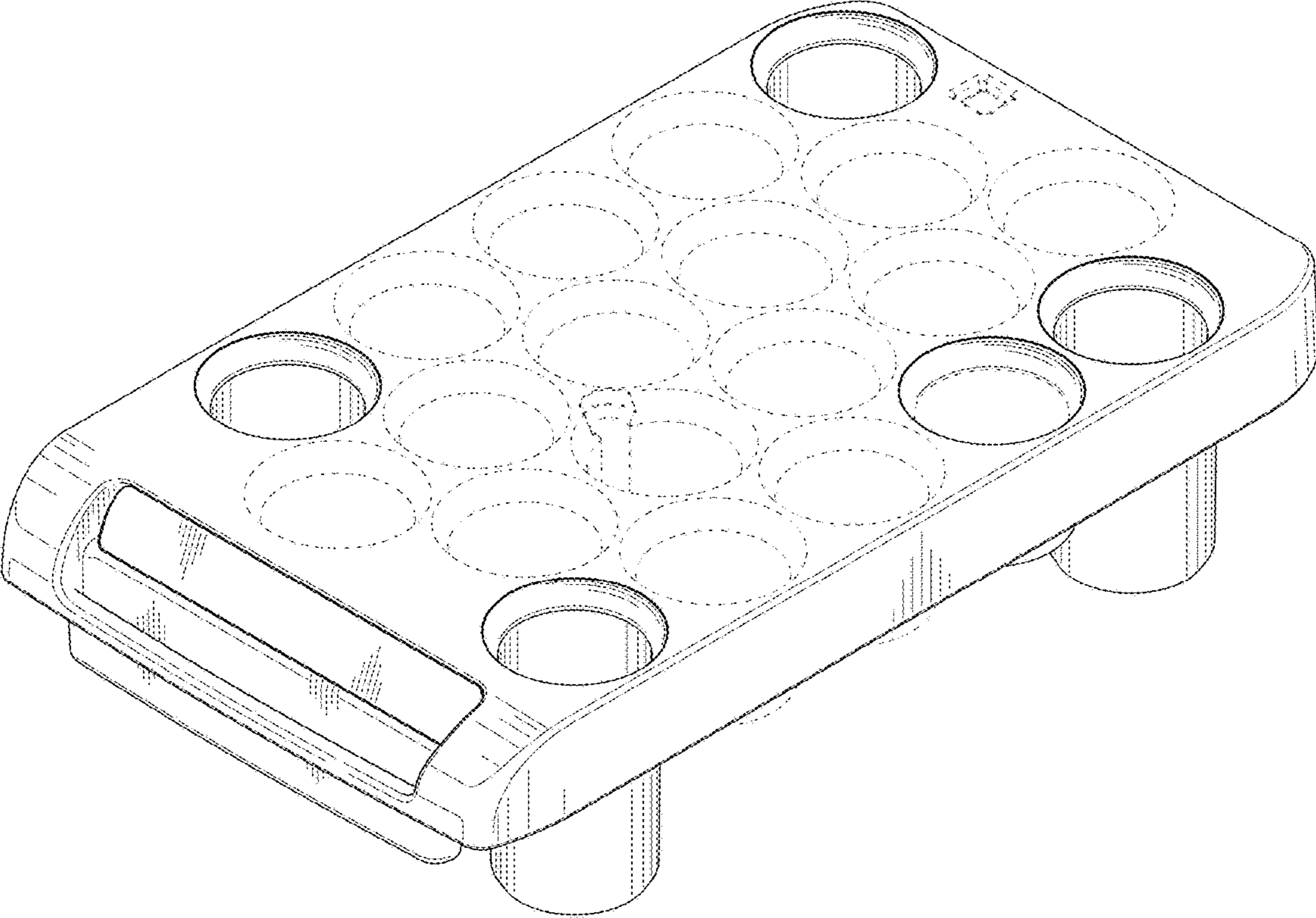


FIG. 1

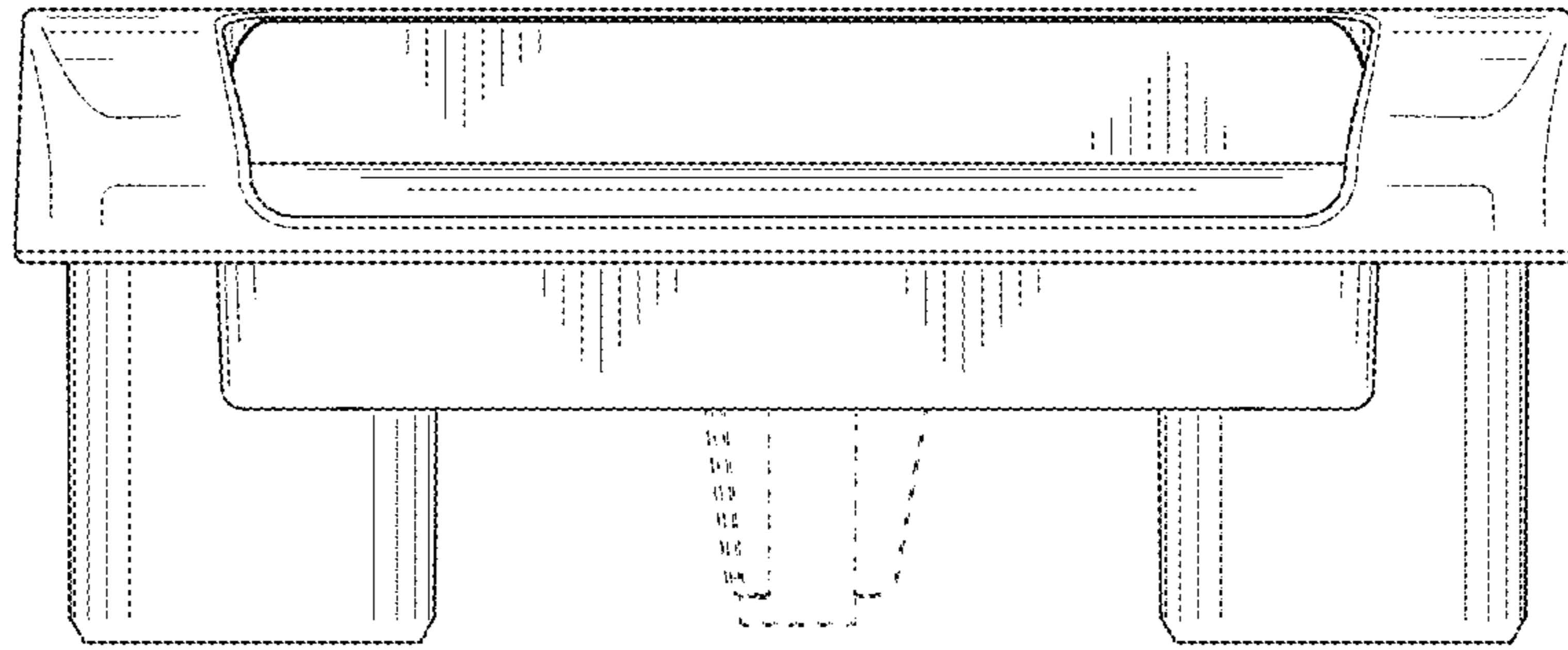


FIG. 2

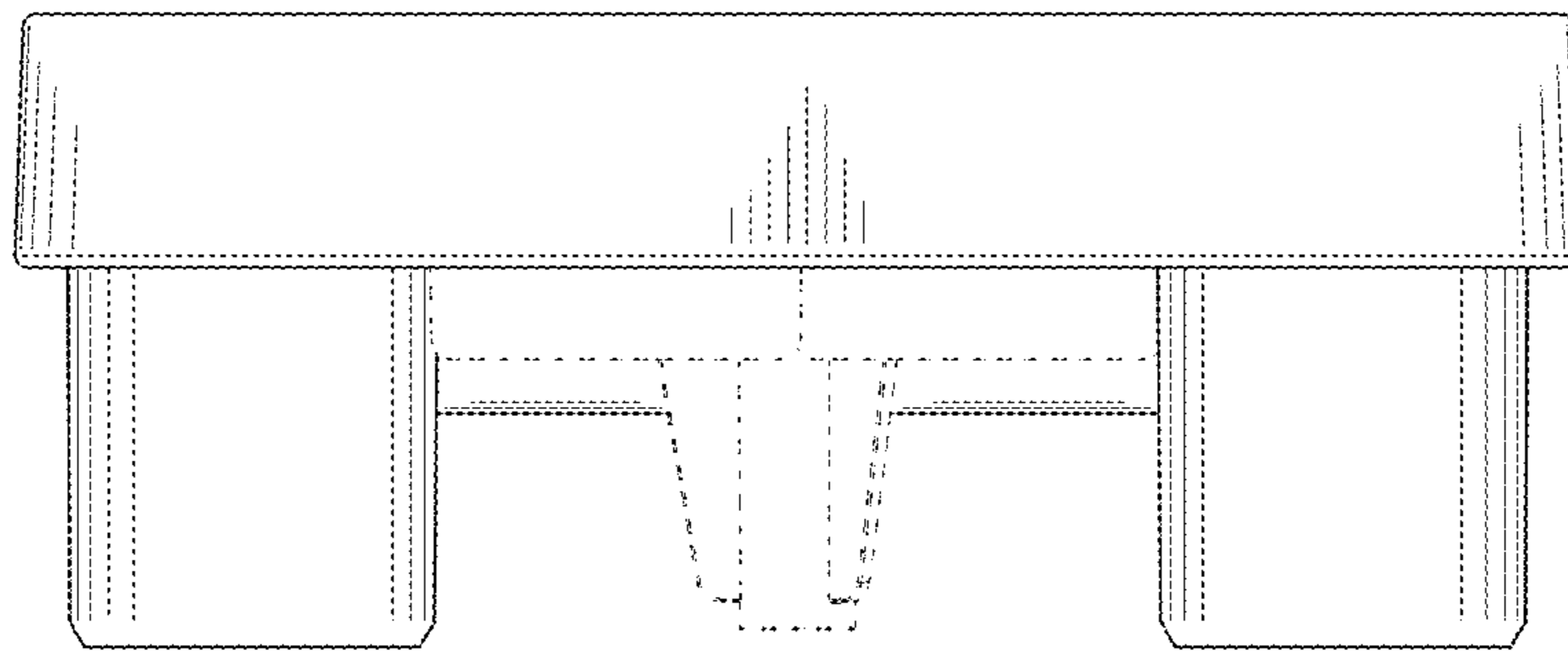


FIG. 3

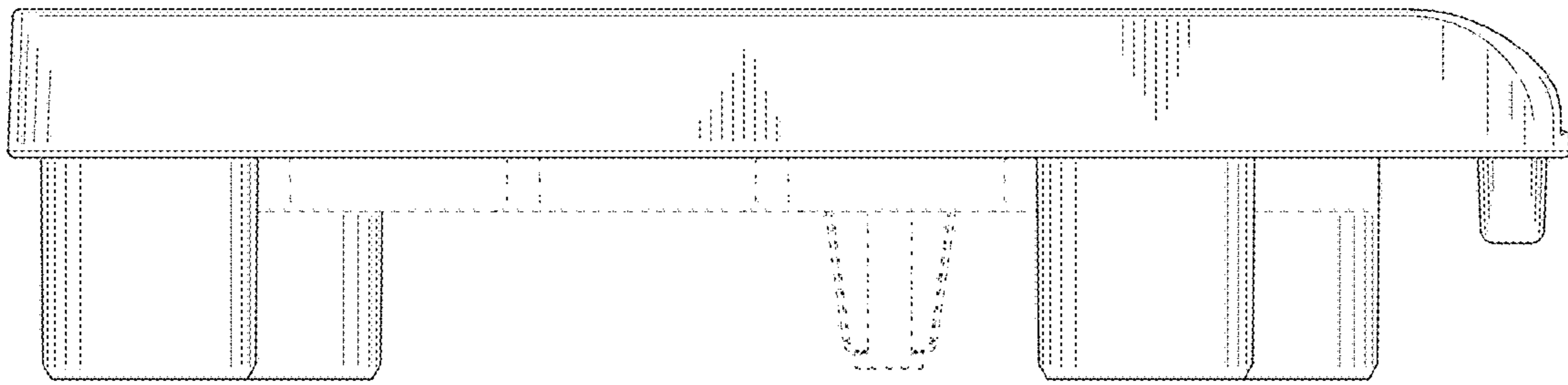


FIG. 4

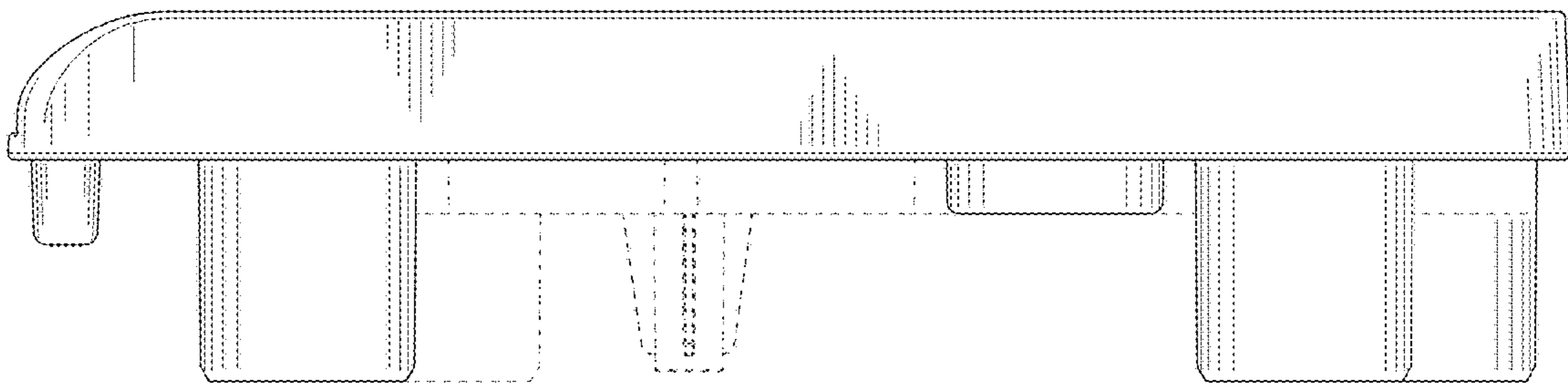


FIG. 5

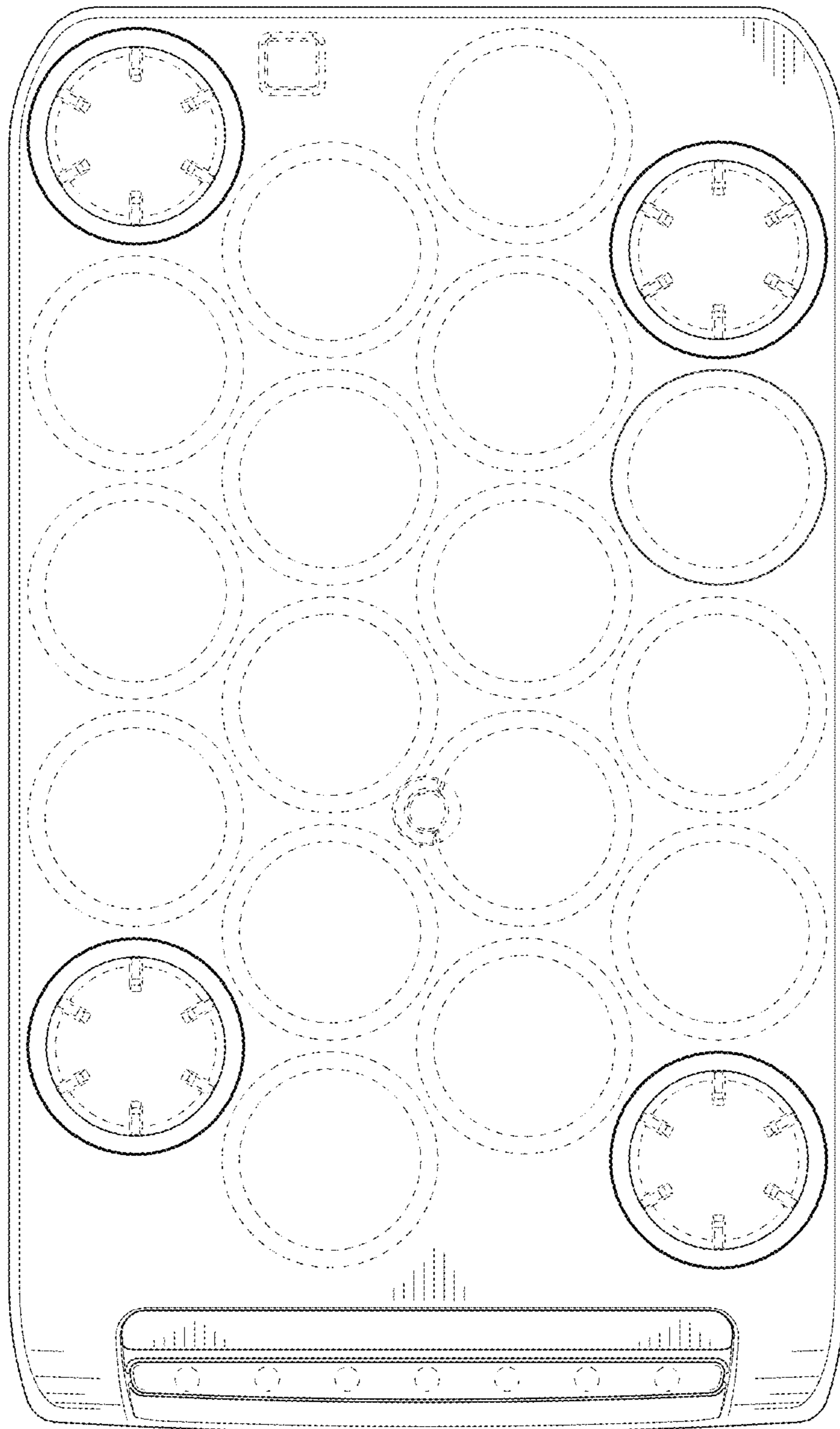


FIG. 6

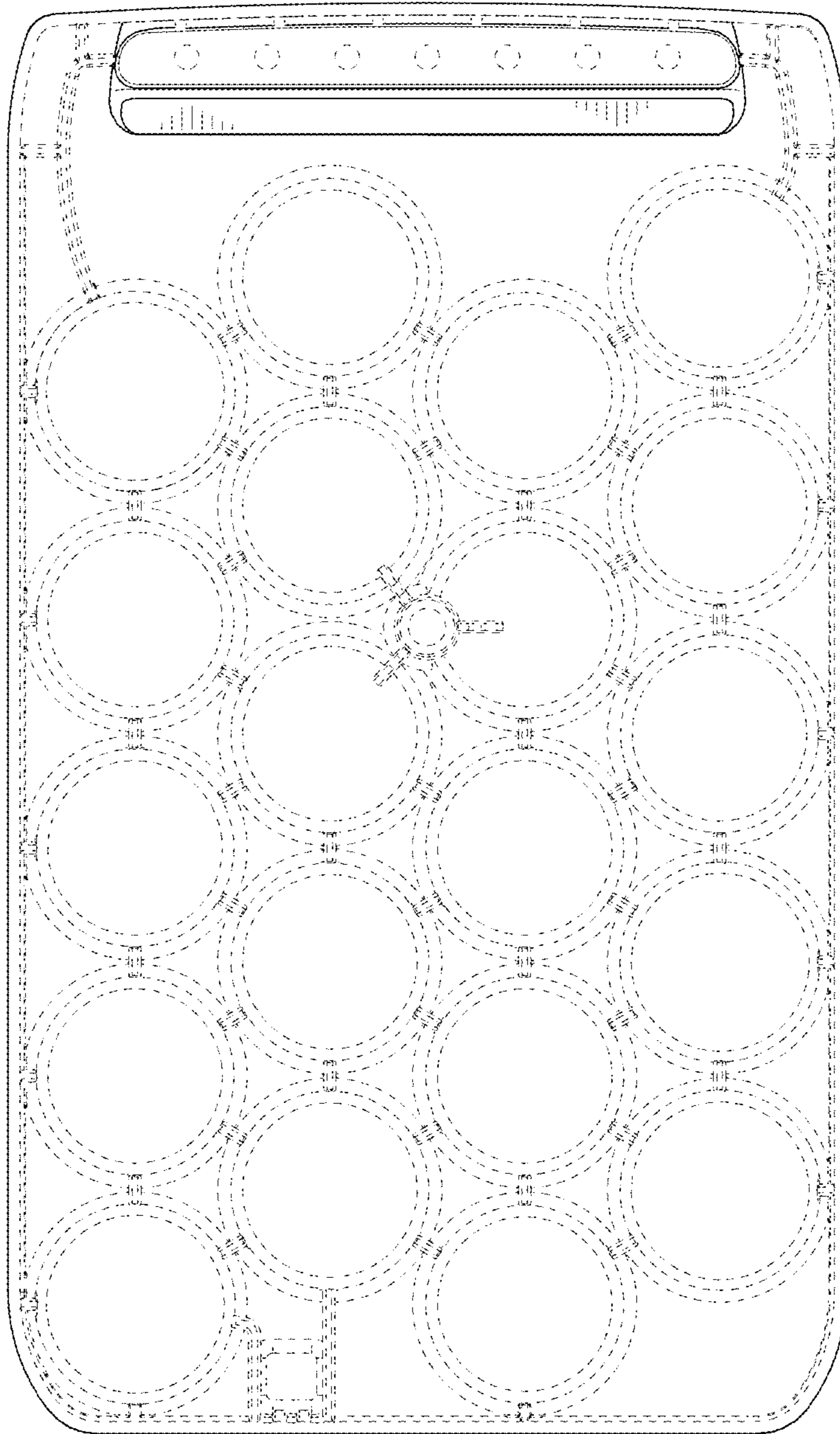


FIG. 7