



US00D836793S

(12) **United States Design Patent** (10) **Patent No.:** **US D836,793 S**
Jones et al. (45) **Date of Patent:** **** Dec. 25, 2018**

(54) **CARTRIDGE**

(56) **References Cited**

(71) Applicant: **Meso Scale Technologies, LLC.**,
 Rockville, MD (US)

(72) Inventors: **Eric Jones**, Frederick, MD (US);
Manish Kochar, Rockville, MD (US)

U.S. PATENT DOCUMENTS

D347,067	S	*	5/1994	Shartle	D24/223
D438,631	S	*	3/2001	Miller	D24/216
D491,273	S	*	6/2004	Biegler	D24/216
8,328,422	B2	*	12/2012	Lin	F16C 29/0609 384/43
D706,930	S	*	6/2014	Lin	D24/216
D733,313	S	*	6/2015	Kouge	D24/225
D739,553	S	*	9/2015	Yang	D24/232
D771,834	S	*	11/2016	Leaver	D24/224
D772,427	S	*	11/2016	Leaver	D24/224
D775,344	S	*	12/2016	Wu	D24/162
2011/0293488	A1	*	12/2011	Nichols	B01L 3/50853 422/500
2015/0004680	A1	*	1/2015	Song	C01N 33/48778 435/287.2

(73) Assignee: **MESO SCALE TECHNOLOGIES, LLC.**, Rockville, MD (US)

(**) Term: **15 Years**

(21) Appl. No.: **29/571,987**

(22) Filed: **Jul. 22, 2016**

(51) **LOC (11) Cl.** **24-01**

(52) **U.S. Cl.**
USPC **D24/216**; D24/224

(58) **Field of Classification Search**
USPC D24/216-232, 107, 108, 119, 121, 162,
D24/169, 186, 201, 233, 234; D10/81;
422/553; 435/297.5, 305.3

CPC G01N 2035/00306; G01N 2035/00326;
 G01N 2035/00336; G01N 2035/00029;
 G01N 2035/0401; G01N 2035/0403;
 G01N 2035/0405; G01N 2035/00019;
 G01N 2030/027; G01N 35/08; G01N
 35/02; G01N 35/021; G01N 35/026;
 G01N 35/028; G01N 35/04; G01N 1/22;
 G01N 1/2205; G01N 1/2273; G01N
 33/497; G01N 33/4977; B01L 2300/0809;
 B01L 2300/0816; B01L 2300/0822; B01L
 2300/0832; B01L 2300/0806; B01L
 2300/0861; B01L 2300/0829; B01L
 3/5085; B01L 3/50853

See application file for complete search history.

* cited by examiner

Primary Examiner — Anhdao Doan
Assistant Examiner — Mary Shannon Malley
 (74) *Attorney, Agent, or Firm* — Scully, Scott, Murphy &
 Presser, P.C.

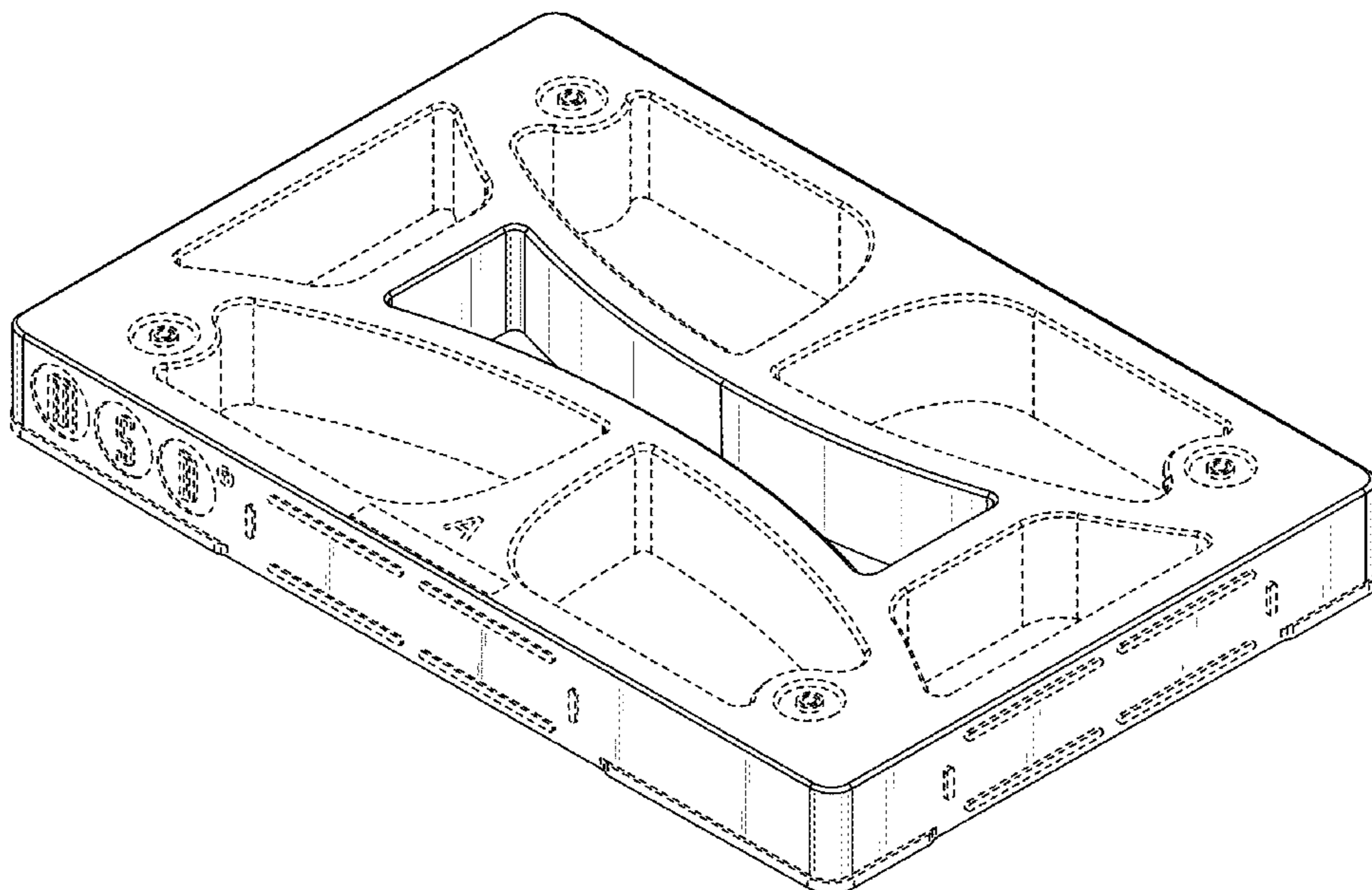
(57) **CLAIM**

The ornamental design for a cartridge, as shown and described.

DESCRIPTION

FIG. 1 is a top perspective view of the cartridge showing our new and ornamental design;
 FIG. 2 is a top view thereof;
 FIG. 3 is a side view thereof;
 FIG. 4 is an alternate side view thereof; and,
 FIG. 5 is a bottom view thereof.
 The broken lines show portions of the cartridge that form no part of the claimed design.

1 Claim, 3 Drawing Sheets



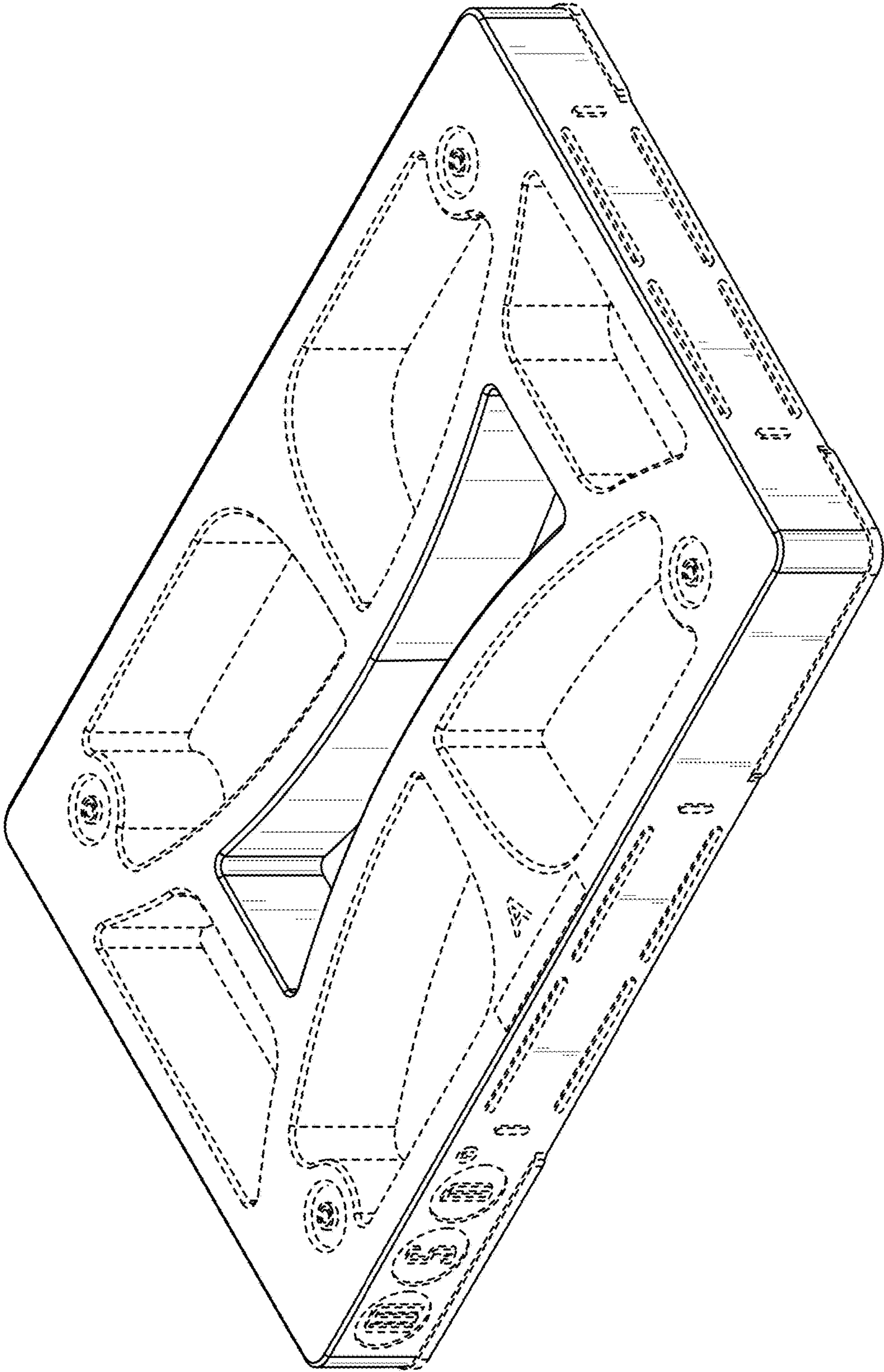


Figure 1

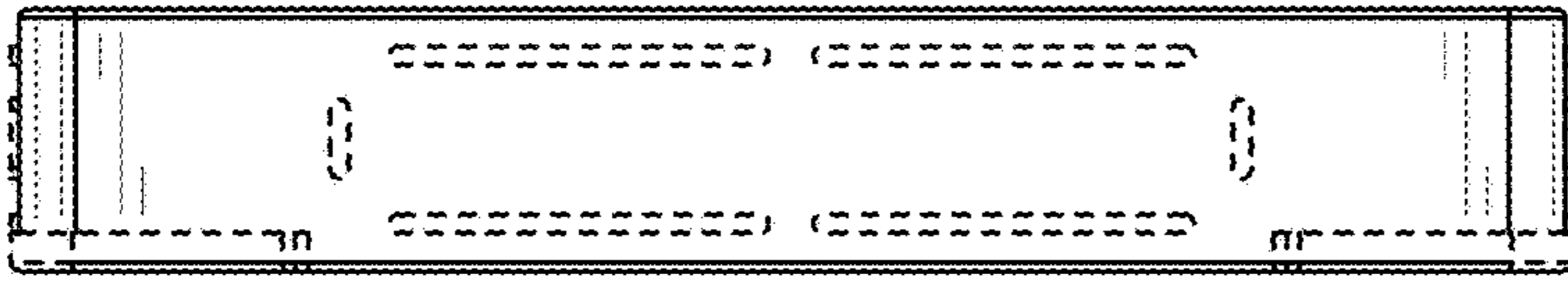


Figure 4

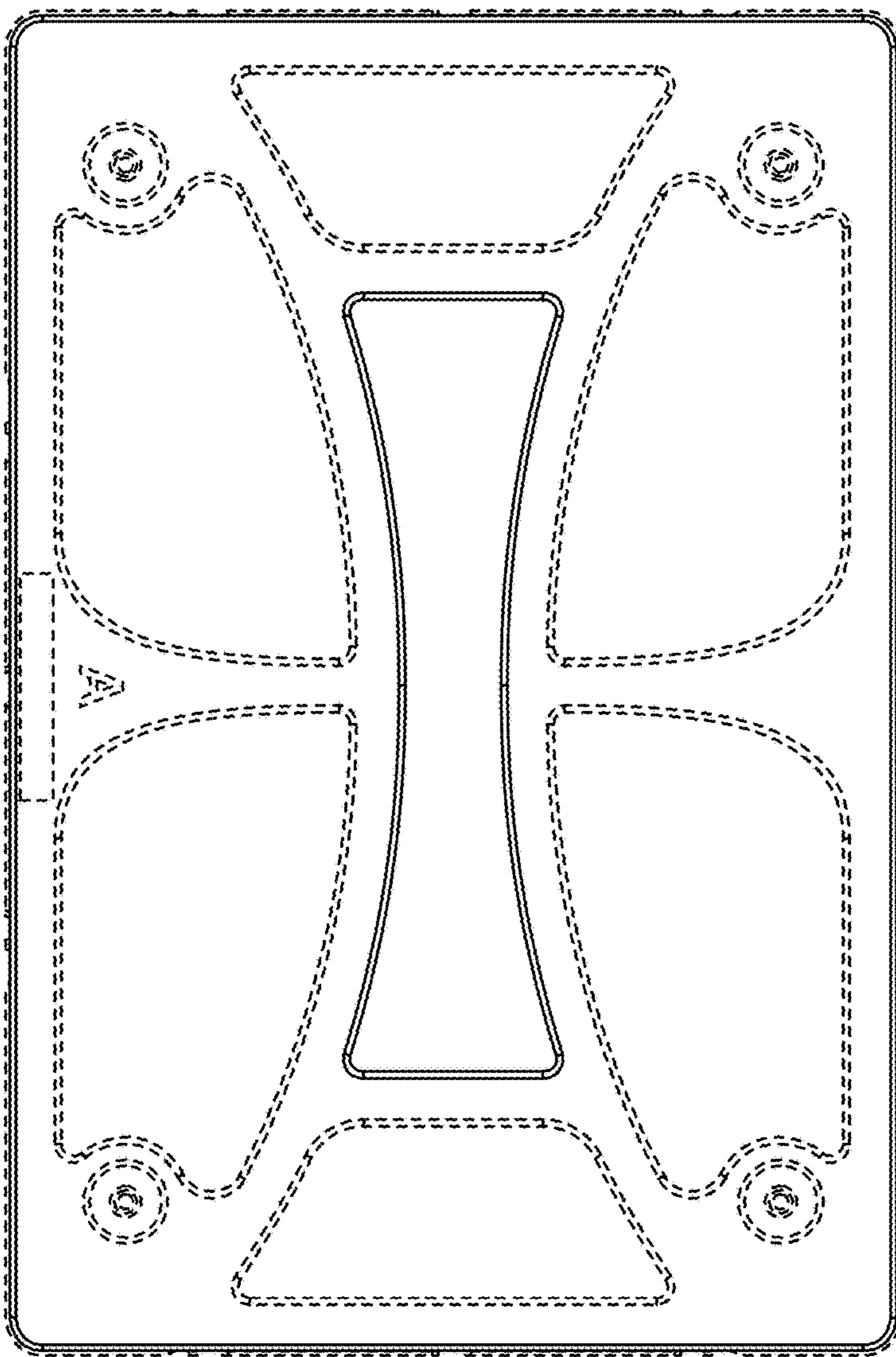


Figure 2

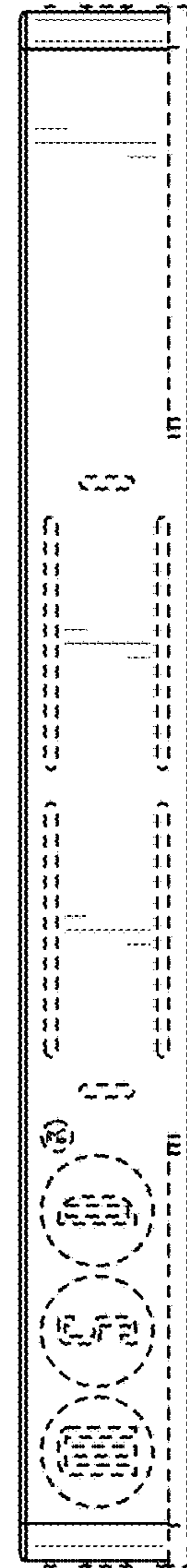


Figure 3

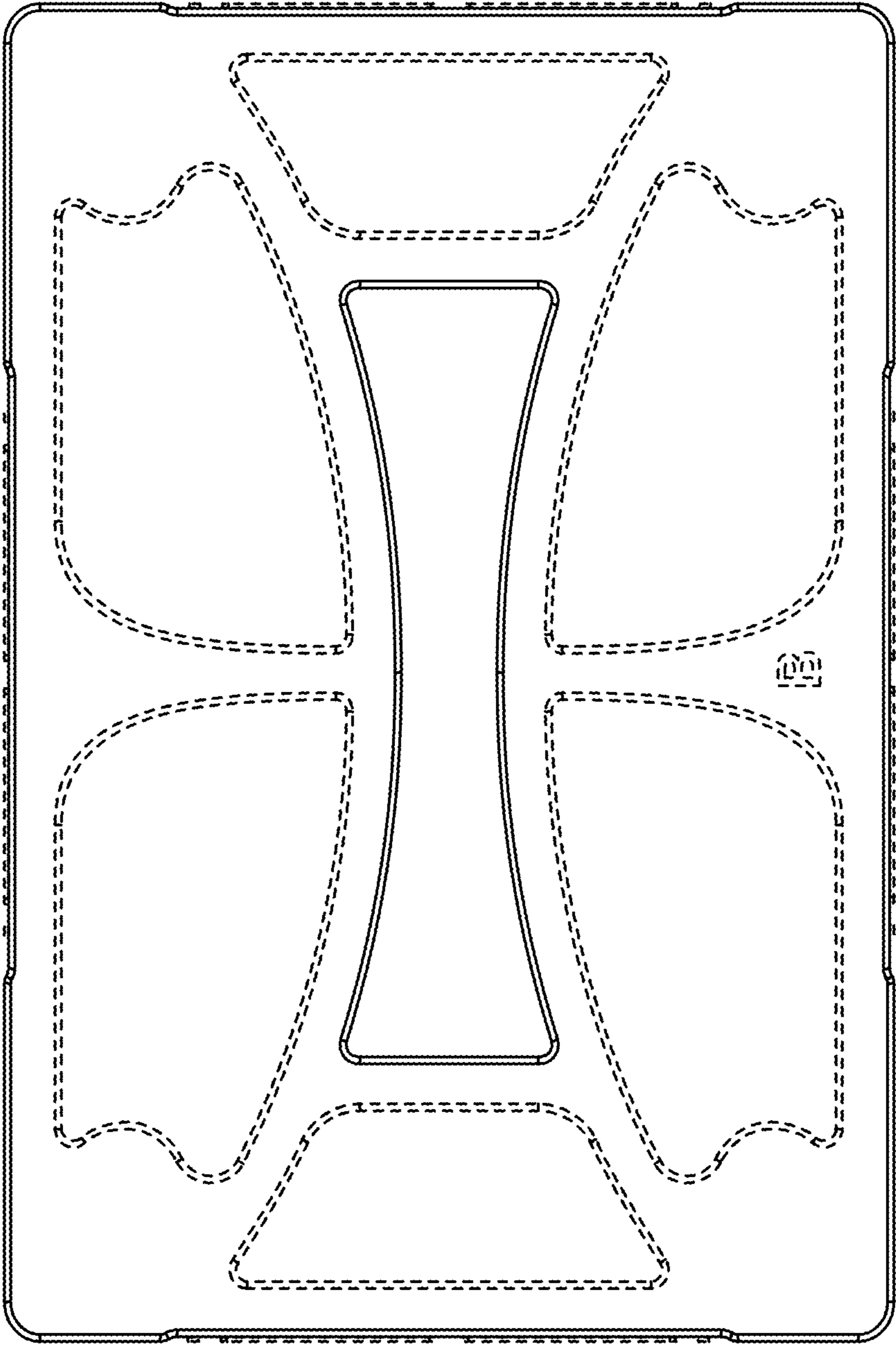


Figure 5