



US00D836791S

(12) **United States Design Patent** (10) **Patent No.:** **US D836,791 S**
Tarashchansky (45) **Date of Patent:** **** Dec. 25, 2018**

(54) **HAND MASSAGE STICK**
(71) Applicant: **Aleksandr Tarashchansky**, Brooklyn, NY (US)
(72) Inventor: **Aleksandr Tarashchansky**, Brooklyn, NY (US)
(**) Term: **15 Years**
(21) Appl. No.: **29/576,351**
(22) Filed: **Sep. 2, 2016**
(51) **LOC (11) Cl.** **28-03**
(52) **U.S. Cl.**
USPC **D24/215**
(58) **Field of Classification Search**
USPC D24/200, 211, 212, 213, 214, 215;
601/19, 22, 40, 46, 52, 63, 99, 110-113,
601/118-120, 125, DIG. 12, DIG. 14,
601/DIG. 15, DIG. 16, DIG. 17
CPC A61H 1/00; A61H 2015/0007; A61H
2015/0014; A61H 2015/0042; A61H
15/00; A61H 11/00; A61H 21/00; A61H
37/00
See application file for complete search history.

(56) **References Cited**
U.S. PATENT DOCUMENTS
86,101 A * 1/1869 Reckendorfer B43K 29/0875
40/335
428,502 A * 5/1890 Maggi A23L 29/284
426/576
D132,773 S * 6/1942 Saulsbury D19/186
2,364,849 A * 12/1944 Ibbotson A01K 87/00
124/23.1
D174,249 S * 3/1955 Daniels D19/163
2,893,109 A * 7/1959 Young B43K 19/02
29/90.01
2,954,628 A * 10/1960 Baldwin G09F 23/00
40/334

D303,571 S * 9/1989 Åkerfeldt D24/147
D308,810 S * 6/1990 Murawski D10/69
D390,299 S * 2/1998 Terry D11/5
D404,518 S * 1/1999 Dal Monte D27/101
D405,219 S * 2/1999 Dal Monte D27/101
D446,308 S * 8/2001 Schmitmeyer D24/200
6,293,893 B1 * 9/2001 Truchelut A63B 21/002
482/121
D475,793 S * 6/2003 Tinsley D24/214
D493,911 S * 8/2004 Somma D27/101
D537,892 S * 3/2007 Moses D21/662
D558,355 S * 12/2007 Huang D24/214
D601,252 S * 9/2009 Ra D24/133
D605,694 S * 12/2009 Zhang D19/117
D609,807 S * 2/2010 Hashimoto D24/133
D654,950 S * 2/2012 Ryan D19/133
D667,878 S * 9/2012 Xie D19/163
D687,491 S * 8/2013 Loebach D19/181
D711,009 S * 8/2014 Wong A61H 7/00
D24/215
D712,057 S * 8/2014 McDonald, Jr. D24/215
D714,382 S * 9/2014 Ryan D19/133

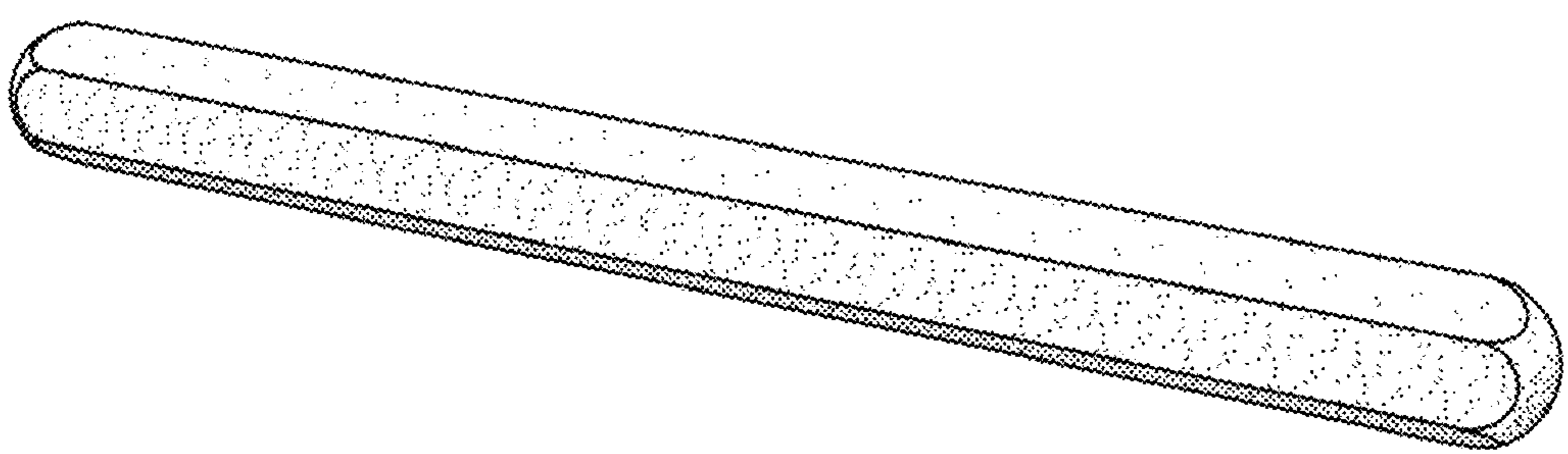
(Continued)

Primary Examiner — Sandra S Snapp
(74) *Attorney, Agent, or Firm* — Larisa Migachyov

(57) **CLAIM**
The ornamental design for a hand massage stick, as shown and described.

DESCRIPTION
FIG. 1 is an isometric view of a hand massage stick of the present invention, showing my new design;
FIG. 2 is an isometric view of a hand massage stick of the present invention, showing my new design;
FIG. 3 is a top view of a hand massage stick of the present invention, showing my new design;
FIG. 4 is a front view of a hand massage stick of the present invention, showing my new design; and,
FIG. 5 is a right side view of a hand massage stick of the present invention, showing my new design.

1 Claim, 2 Drawing Sheets



(56)

References Cited

U.S. PATENT DOCUMENTS

D717,146 S * 11/2014 Grossman D8/40
D720,862 S * 1/2015 McDonald, Jr. D24/215
D736,863 S * 8/2015 Seeger D21/662
D753,872 S * 4/2016 Mittersinker D27/101
D754,389 S * 4/2016 Mittersinker D27/101
D754,390 S * 4/2016 Mittersinker D27/101
D759,756 S * 6/2016 Benedikt D19/186
D763,438 S * 8/2016 Gouret D24/108
D768,309 S * 10/2016 Hetzel D24/214
D768,310 S * 10/2016 Hetzel D24/214
D798,447 S * 9/2017 Leather D24/135
D800,310 S * 10/2017 Scatterday D24/163
D812,240 S * 3/2018 Janapol D24/215
D819,738 S * 6/2018 Kevin D19/163
D826,421 S * 8/2018 Janapol D24/215
2003/0023139 A1 * 1/2003 Hartz A61H 19/34
600/38
2004/0082449 A1 * 4/2004 Brown, Jr. A63B 21/026
482/140
2014/0363145 A1 * 12/2014 Plojoux A24F 47/008
392/386
2014/0366899 A1 * 12/2014 Plojoux A24F 47/008
131/329
2014/0366900 A1 * 12/2014 Plojoux A24F 47/008
131/329

* cited by examiner

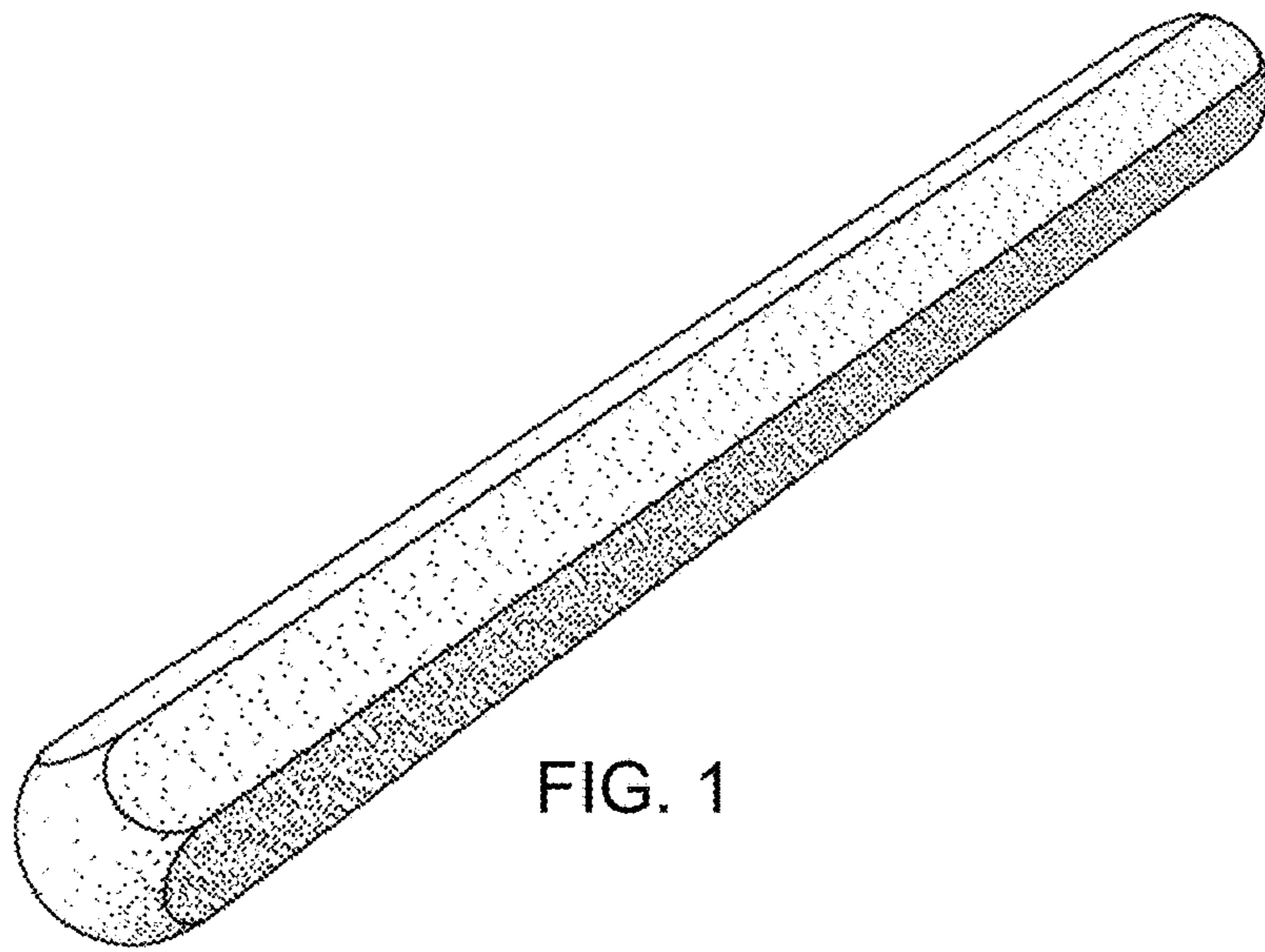


FIG. 1

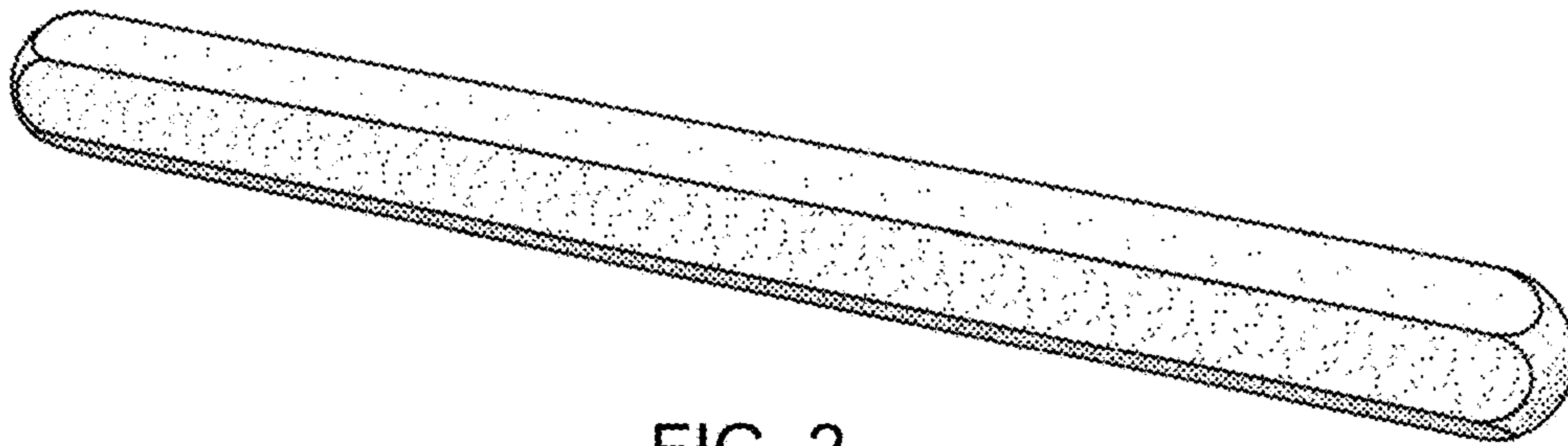


FIG. 2



FIG. 3

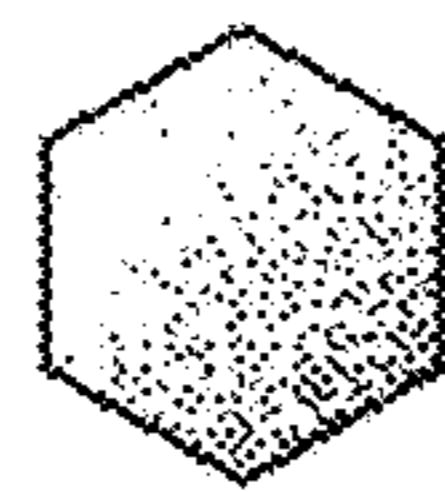


FIG. 4



FIG. 5