



US00D836789S

(12) **United States Design Patent** (10) **Patent No.:** **US D836,789 S**
Jiang (45) **Date of Patent:** **** Dec. 25, 2018**

(54) **HANDHELD STIMULATOR**

(71) Applicant: **JKH Health Co., Ltd.**, Shenzhen (CN)
(72) Inventor: **Pu Jiang**, Shenzhen (CN)
(73) Assignee: **JKH Health Co., Ltd.**, Shenzhen (CN)
(**) Term: **15 Years**

(21) Appl. No.: **29/624,031**

(22) Filed: **Oct. 30, 2017**

(51) **LOC (11) Cl.** **28-03**

(52) **U.S. Cl.**
USPC **D24/200**

(58) **Field of Classification Search**
USPC D24/200, 214–215, 169, 186
CPC A61N 1/04; A61N 1/0404; A61N 1/06;
A61N 1/36; A61N 1/36003; A61N
1/36014; A61N 1/36021; A61N 1/36057;
A61N 1/36071; A61N 5/0616; A61N
5/062; A61N 5/0613
See application file for complete search history.

(56) **References Cited**

U.S. PATENT DOCUMENTS

D428,994 S *	8/2000	Thauer	D24/200
D498,302 S *	11/2004	Wade	D24/200
D547,454 S *	7/2007	Hsieh	D24/186
7,668,598 B2 *	2/2010	Herregraven	A61N 1/36021 607/1
D621,515 S *	8/2010	Chua	D24/186
8,571,666 B2 *	10/2013	Urmey	A61N 1/36021 607/46
8,855,777 B2 *	10/2014	King	A61N 1/36071 607/2
D739,035 S *	9/2015	Tavidian	D24/200
D758,606 S *	6/2016	Chen	D24/215
D802,780 S *	11/2017	Hsu	D24/200
2014/0039573 A1 *	2/2014	Jindra	A61N 1/36003 607/48

OTHER PUBLICATIONS

Amazon, “Easy@Home Rechargeable TENS Unit+EMS Muscle Stimulator, Dual Independent Channels With 20 Intensity Levels, 8 EMS or TENS Massage Types + 16-Mode, Handheld Electronic Pulse Massager, EHE029G-B.” Reviewed on Dec. 14, 2014. https://www.amazon.com/Easy-Home-Rechargeable-Stimulator-Independent/dp/B06WW5MMJK?th.*

* cited by examiner

Primary Examiner — Wan Laymon

(74) *Attorney, Agent, or Firm* — Karthik Murthy; Murthy Patent Law PLLC

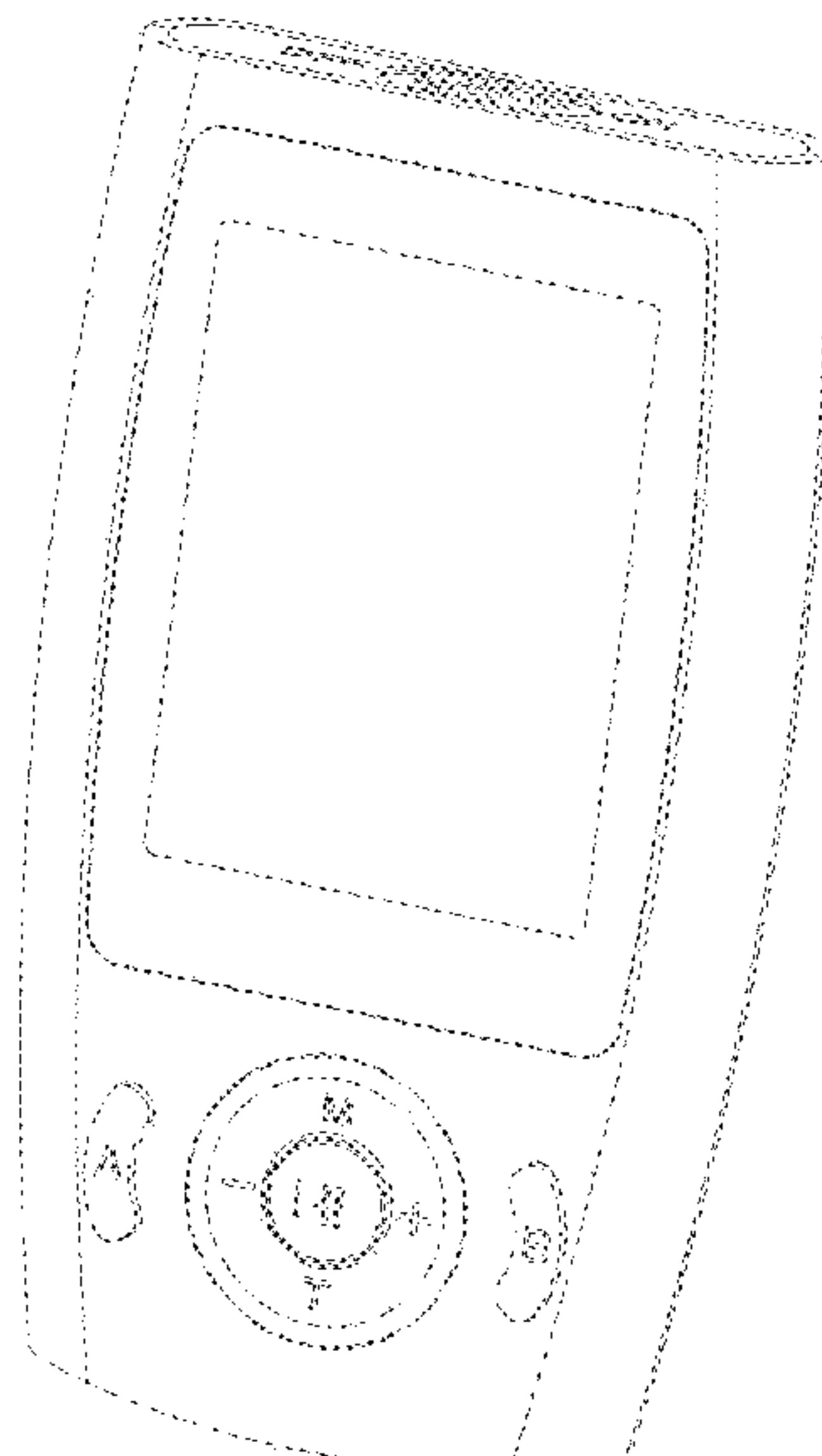
(57) **CLAIM**

The ornamental design for a handheld stimulator, as shown and described.

DESCRIPTION

FIG. 1 is a top view of a handheld stimulator showing my new design;
FIG. 2 is an enlarged right side view thereof;
FIG. 3 is an enlarged left side view thereof;
FIG. 4 is a front perspective view thereof;
FIG. 5 is an enlarged front view thereof;
FIG. 6 is a rear view thereof; and,
FIG. 7 is an enlarged bottom view thereof.
A device that could connect to two output wires, which are connected to electrode pads. When the electrode pads are placed on a human body area, such as the back of a human body, a stimulation pulse from the device could flow into the human body area to provide pain relief and muscle training. A user could change the stimulation mode and timer by pressing the M and T buttons, respectively. The + and – buttons are used to increase and decrease the stimulation intensity, respectively.

1 Claim, 7 Drawing Sheets



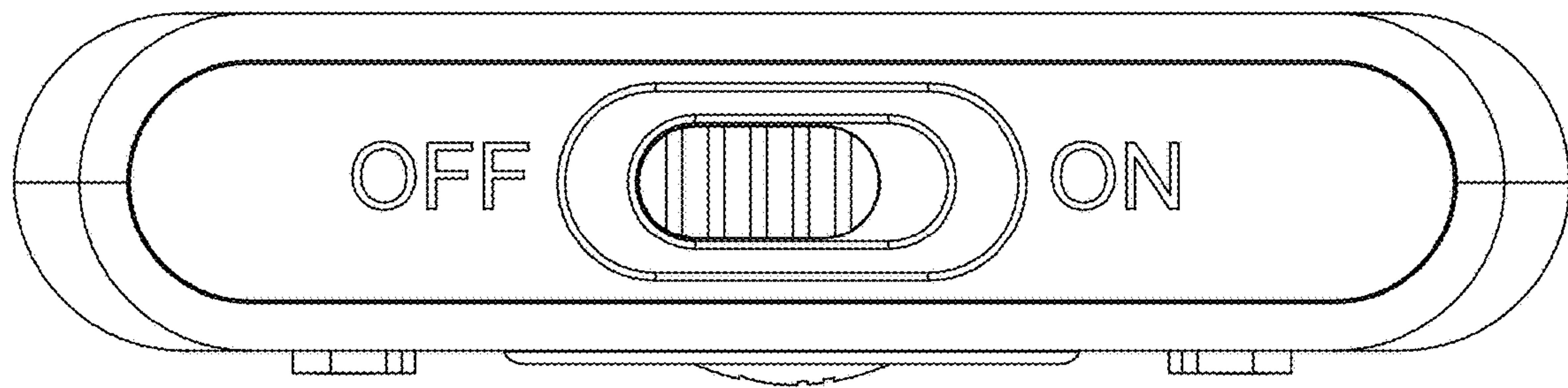


FIG. 1

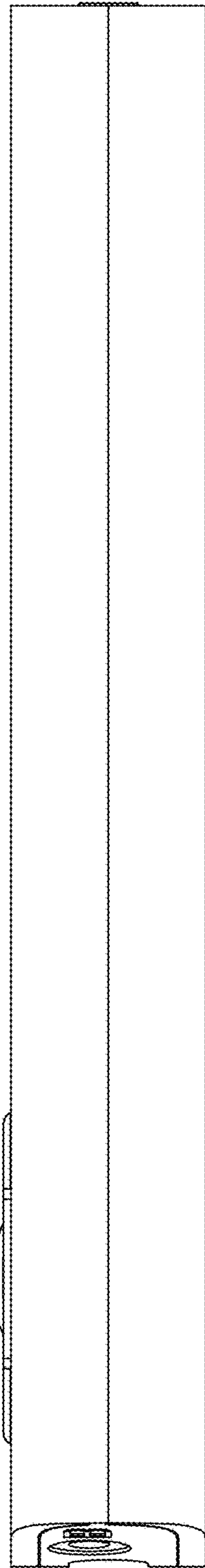


FIG. 2

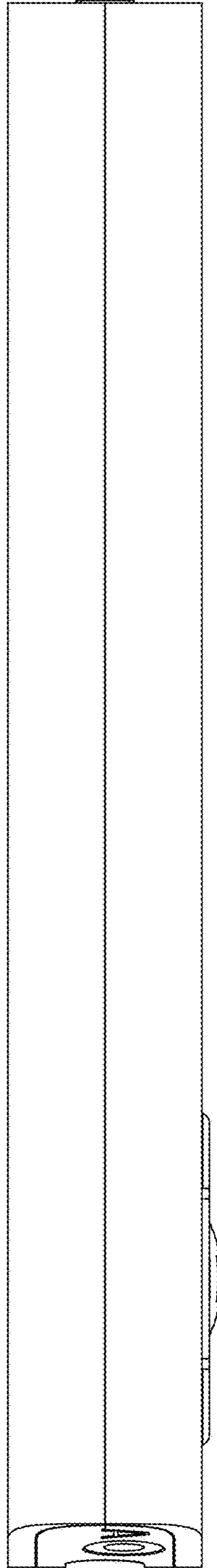


FIG. 3

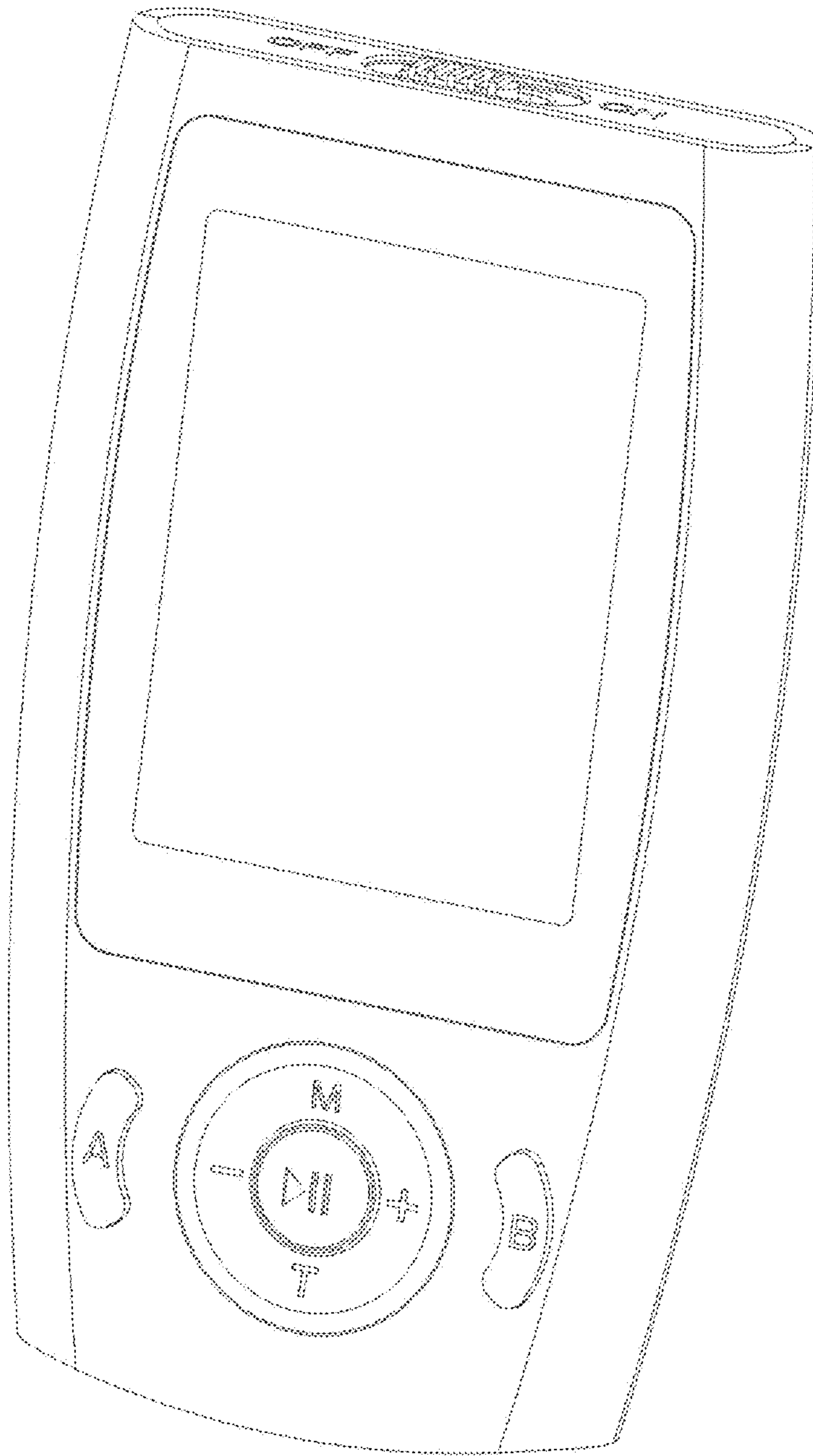


FIG. 4

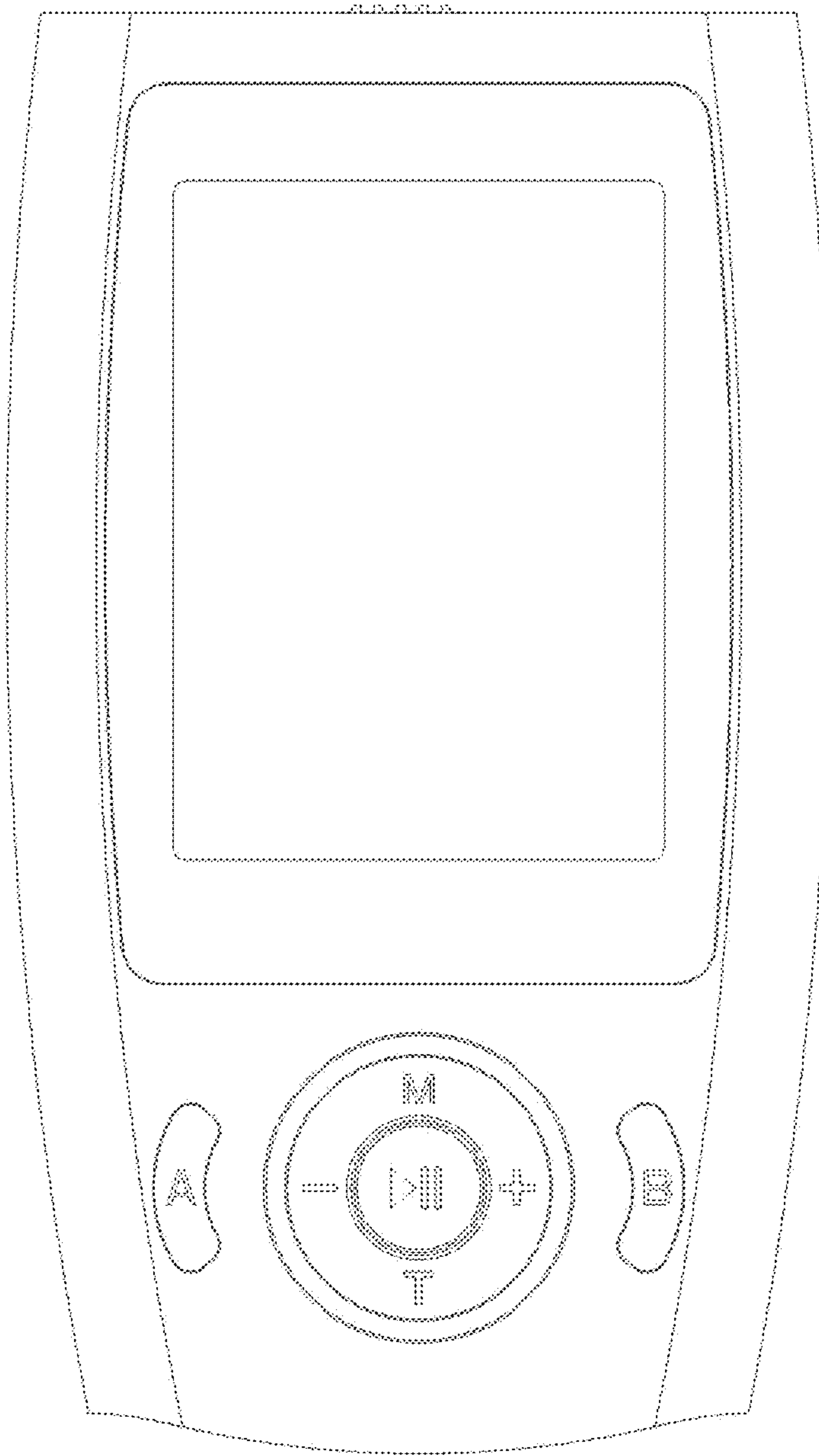


FIG. 5

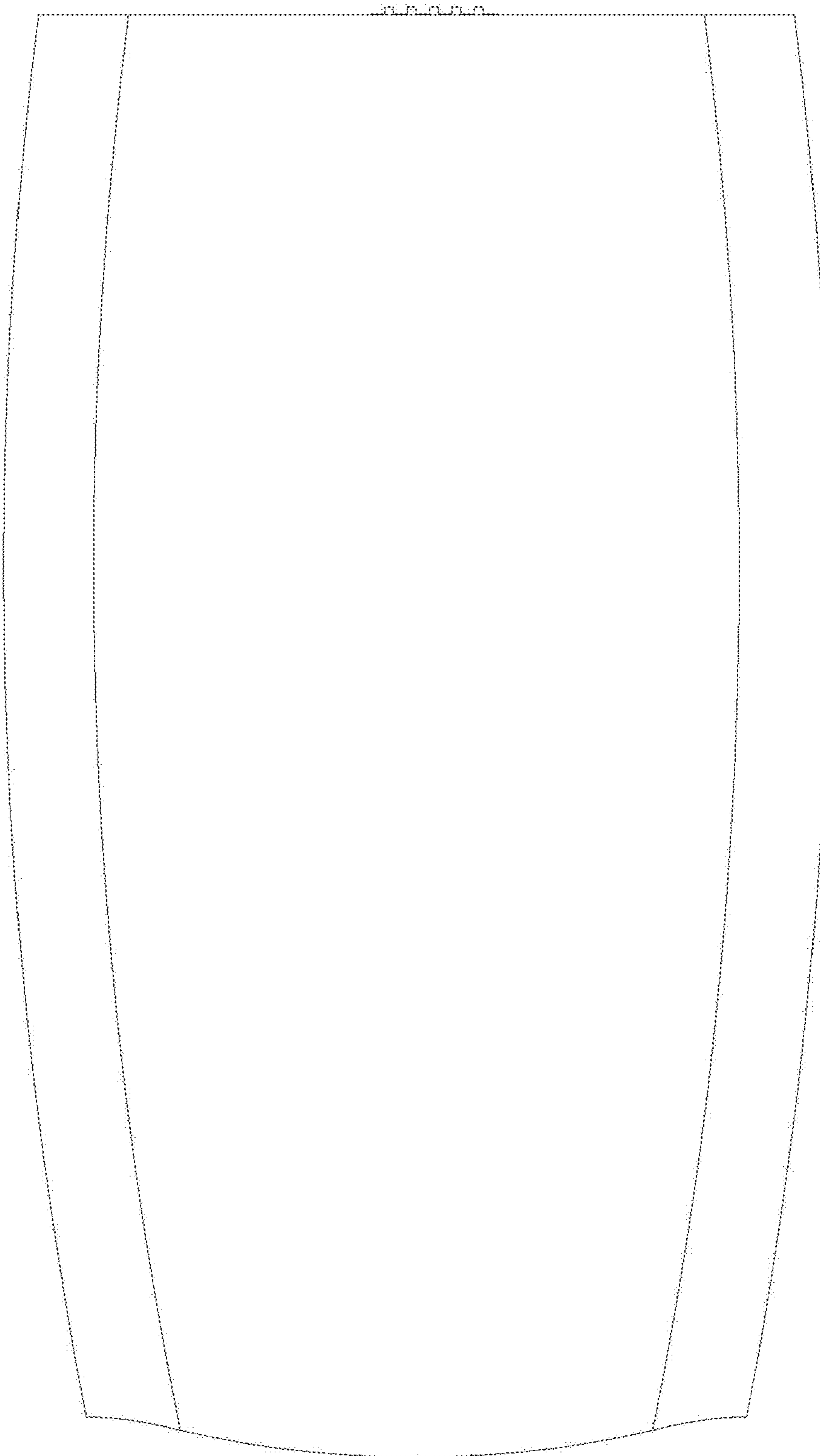


FIG. 6

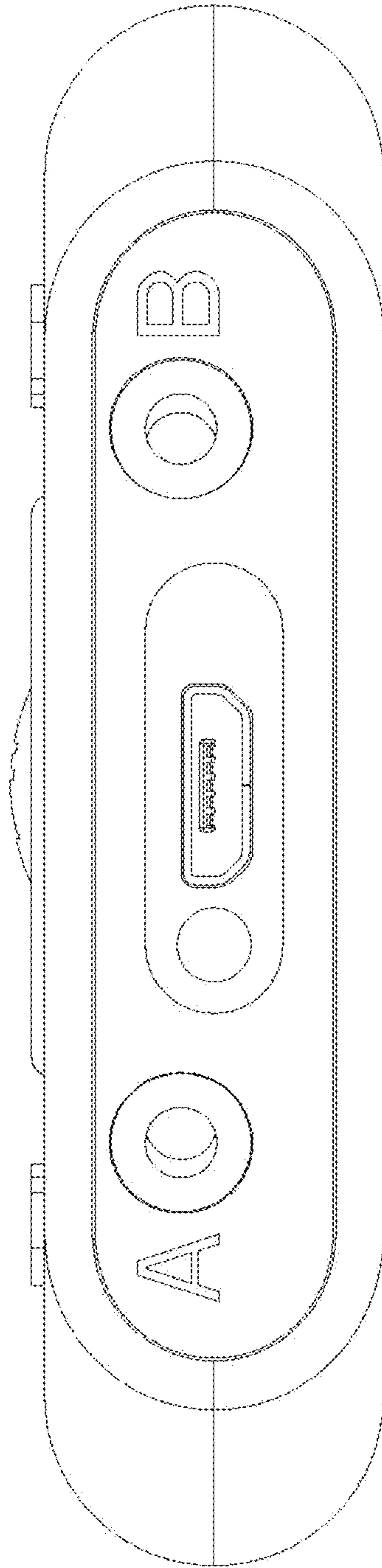


FIG. 7