



US00D836787S

(12) **United States Design Patent**  
**Lee**

(10) **Patent No.:** **US D836,787 S**  
(45) **Date of Patent:** **\*\* Dec. 25, 2018**

(54) **FEEDING NIPPLE FOR BABIES**  
(71) Applicant: **PUTTI ATTI CO., LTD.**, Gyeonggi-Do (KR)  
(72) Inventor: **Yong Kwon Lee**, Seoul (KR)  
(73) Assignee: **PUTTI ATTI CO., LTD.**, Bucheon-si, Gyeonggi-do (KR)

(\*\*) Term: **15 Years**

(21) Appl. No.: **35/503,731**

(22) Filed: **Mar. 24, 2017**

(80) **Hague Agreement Data**

Int. Filing Date: **Mar. 24, 2017**  
Int. Reg. No.: **DM/096175**  
Int. Reg. Date: **Mar. 24, 2017**  
Int. Reg. Pub. Date: **Sep. 29, 2017**

(30) **Foreign Application Priority Data**

Sep. 30, 2016 (KR) ..... 30 2016 0047274

(51) **LOC (11) Cl.** ..... **24-04**

(52) **U.S. Cl.**  
USPC ..... **D24/194**

(58) **Field of Classification Search**  
USPC ..... D24/194, 196, 197; D9/440, 447  
CPC ... A61J 9/04; A61J 11/04; A61J 11/045; A61J 11/008; A61J 2200/76  
See application file for complete search history.

(56) **References Cited**

**U.S. PATENT DOCUMENTS**

D488,560 S \* 4/2004 Renz ..... D24/196  
D599,028 S \* 8/2009 Schofield ..... D24/196

D602,596 S \* 10/2009 Yamashita ..... D24/193  
D637,300 S \* 5/2011 Yamashita ..... D24/196  
8,910,810 B2 \* 12/2014 Rees ..... A61J 11/006  
215/11.5  
D725,282 S \* 3/2015 Lo ..... D24/194  
D752,234 S \* 3/2016 Moore ..... D24/194  
9,492,358 B2 \* 11/2016 Lee ..... A61J 9/04  
9,603,778 B2 \* 3/2017 Ajmera ..... A61J 9/00  
10,028,891 B2 \* 7/2018 Luo ..... A61J 11/02  
2008/0210655 A1 \* 9/2008 Rees ..... A61J 11/006  
215/11.5

\* cited by examiner

*Primary Examiner* — Robert M. Spear

(74) *Attorney, Agent, or Firm* — Hauptman Ham, LLP

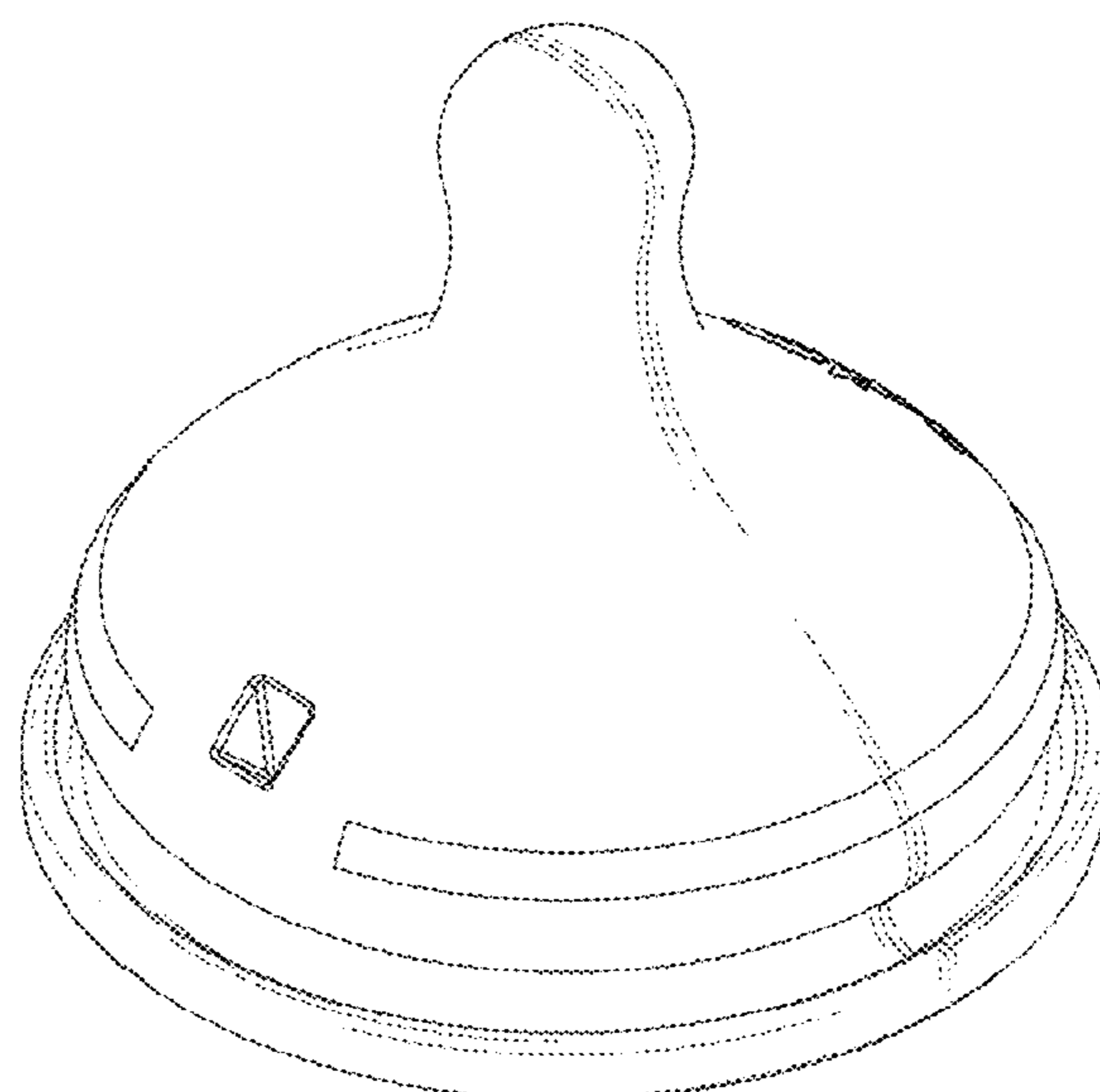
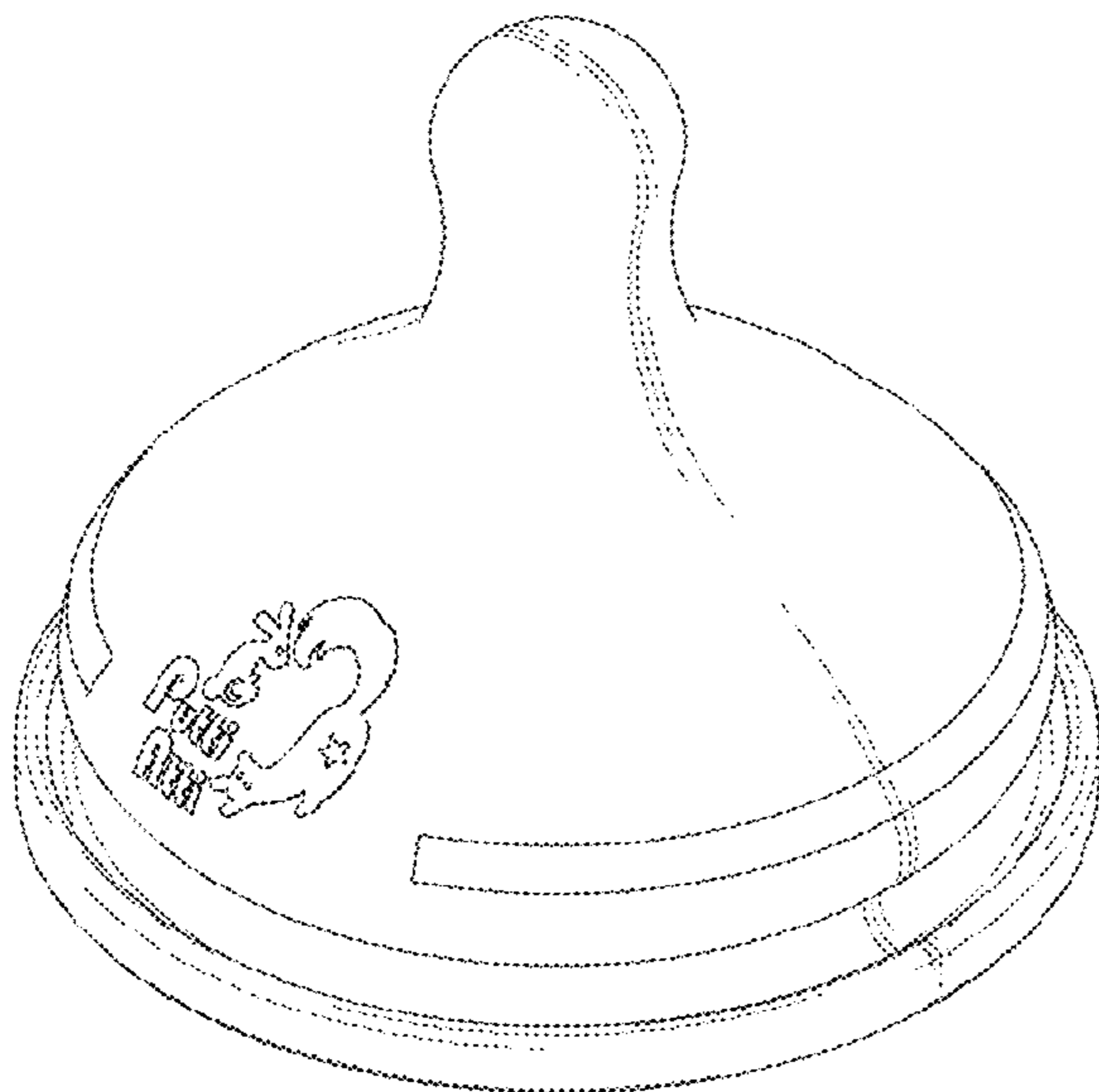
(57) **CLAIM**

The ornamental design for a feeding nipple for babies, as shown and described.

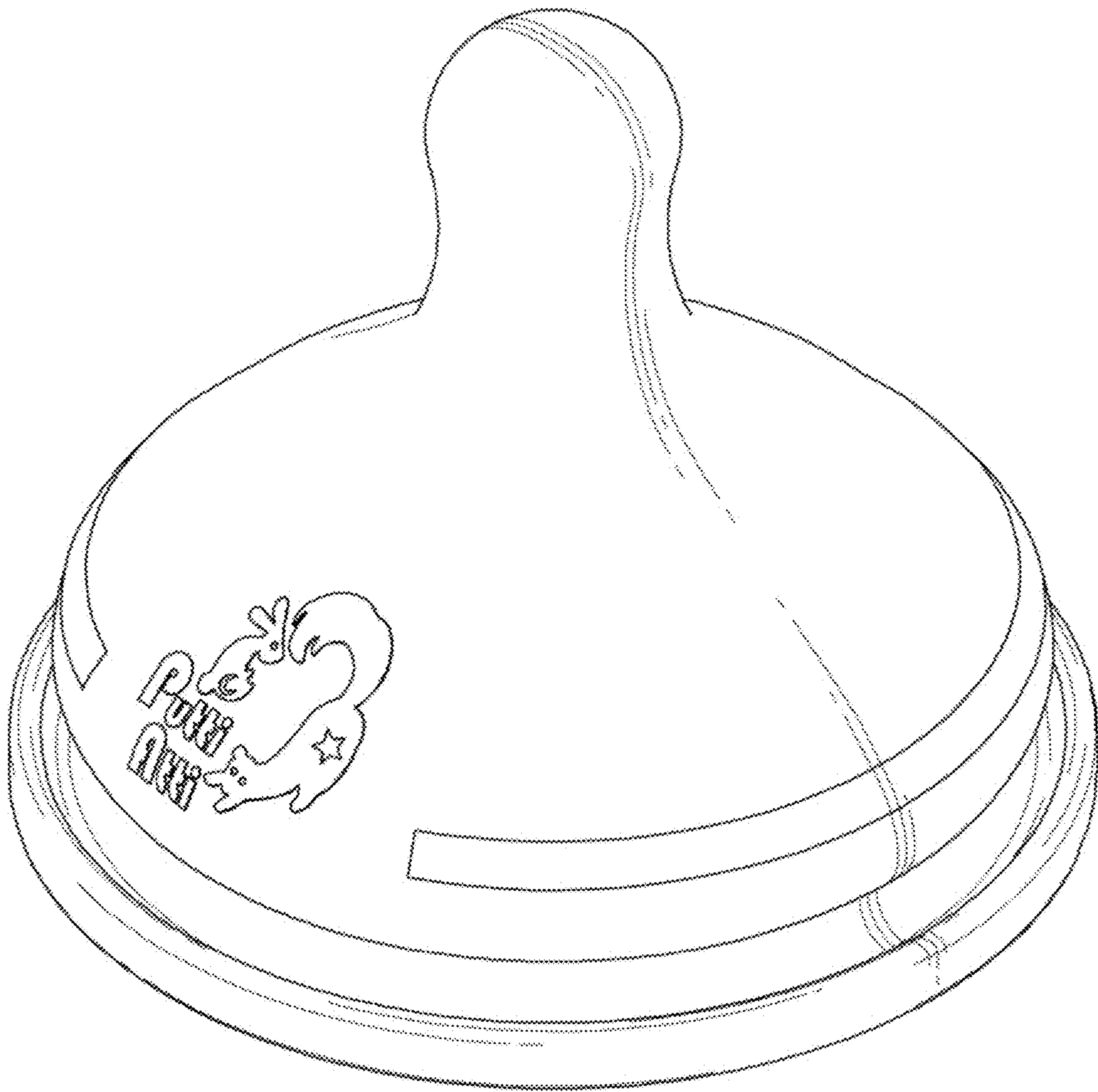
**DESCRIPTION**

- 1. Feeding nipple for babies
- 1.1 : Perspective
- 1.2 : Perspective
- 1.3 : Perspective
- 1.4 : Front
- 1.5 : Back
- 1.6 : Left
- 1.7 : Right
- 1.8 : Top
- 1.9 : Bottom
- 1.10 : Cross-sectional

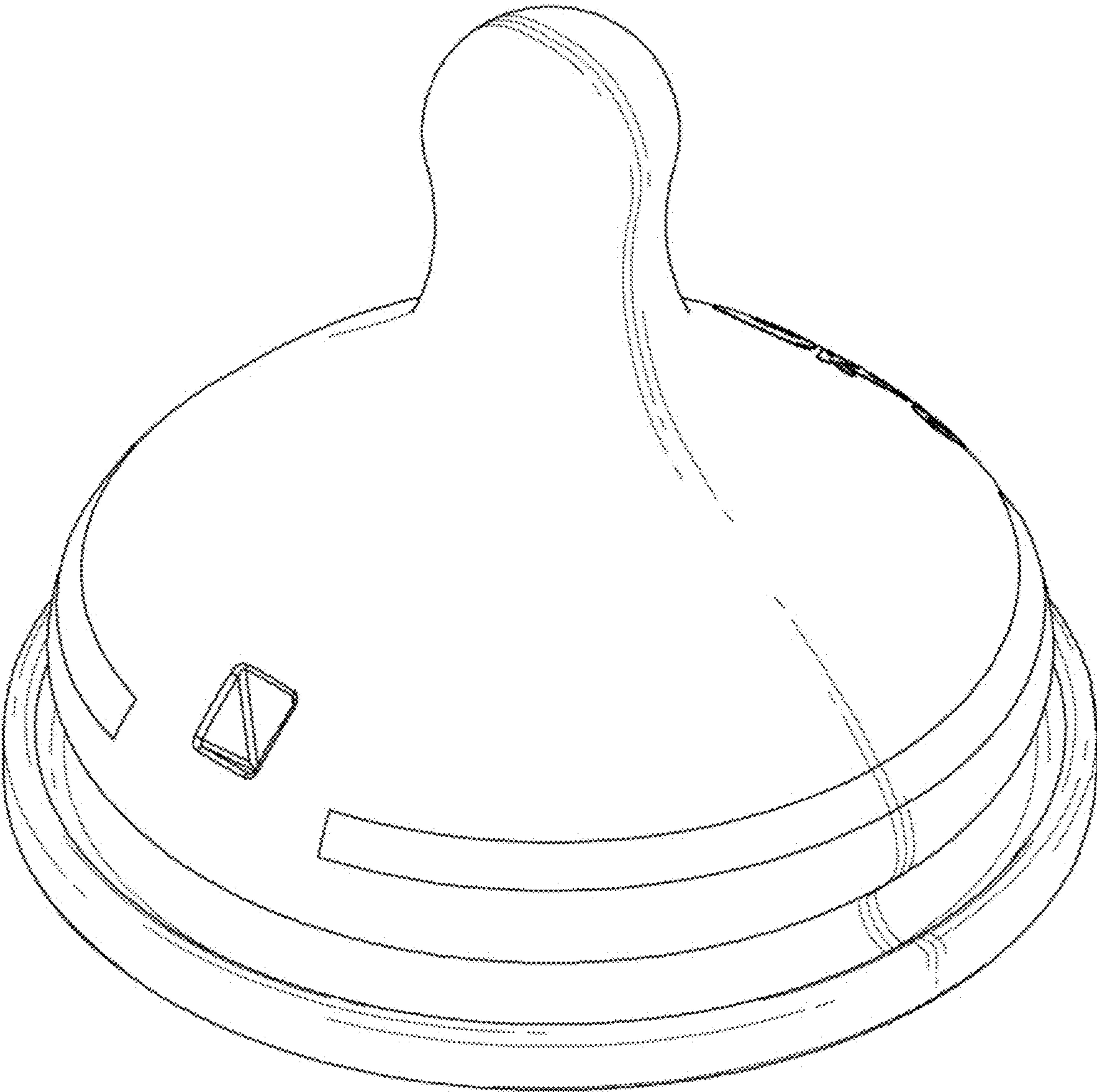
**1 Claim, 10 Drawing Sheets**



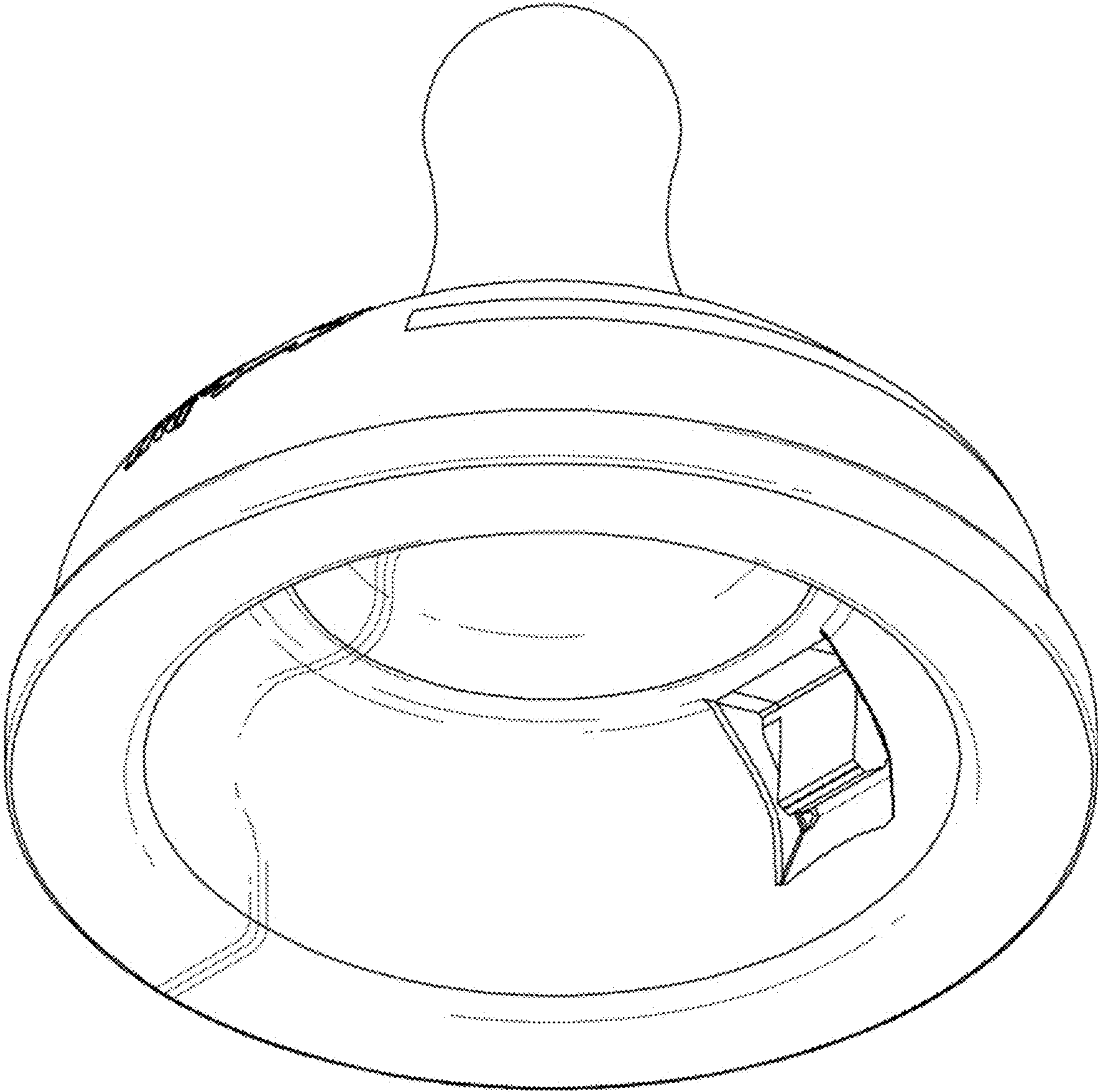
1.1



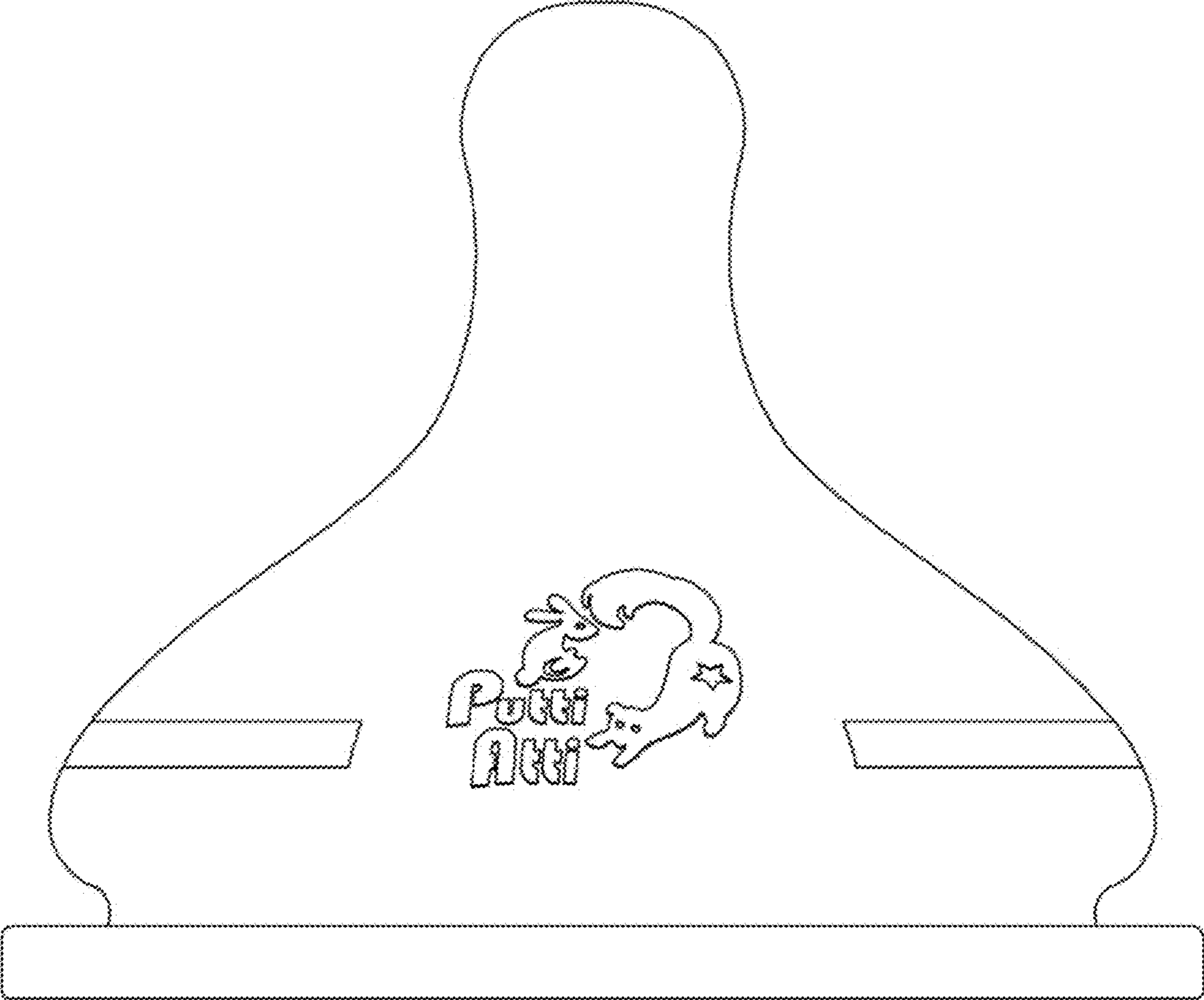
1.2



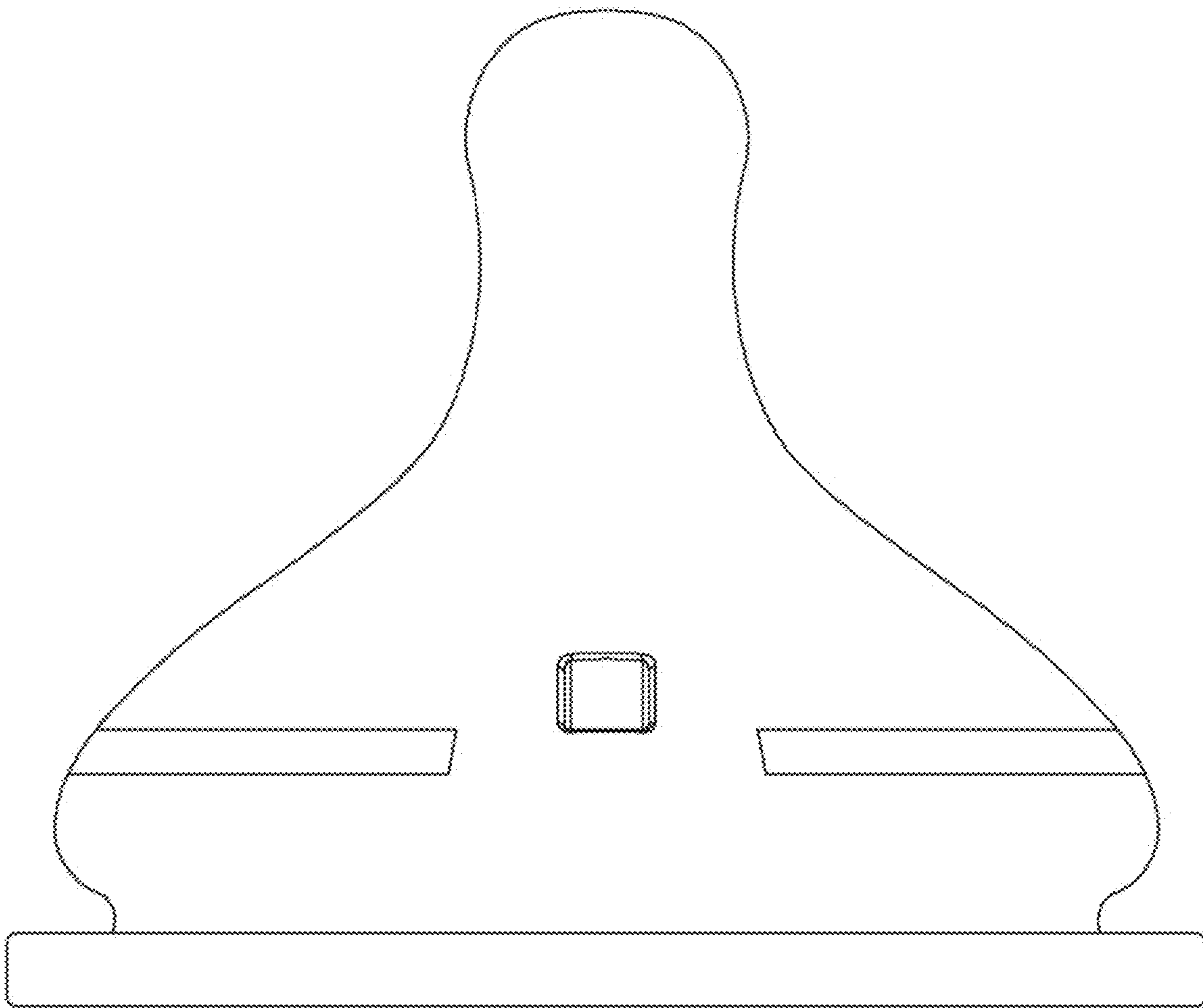
1.3



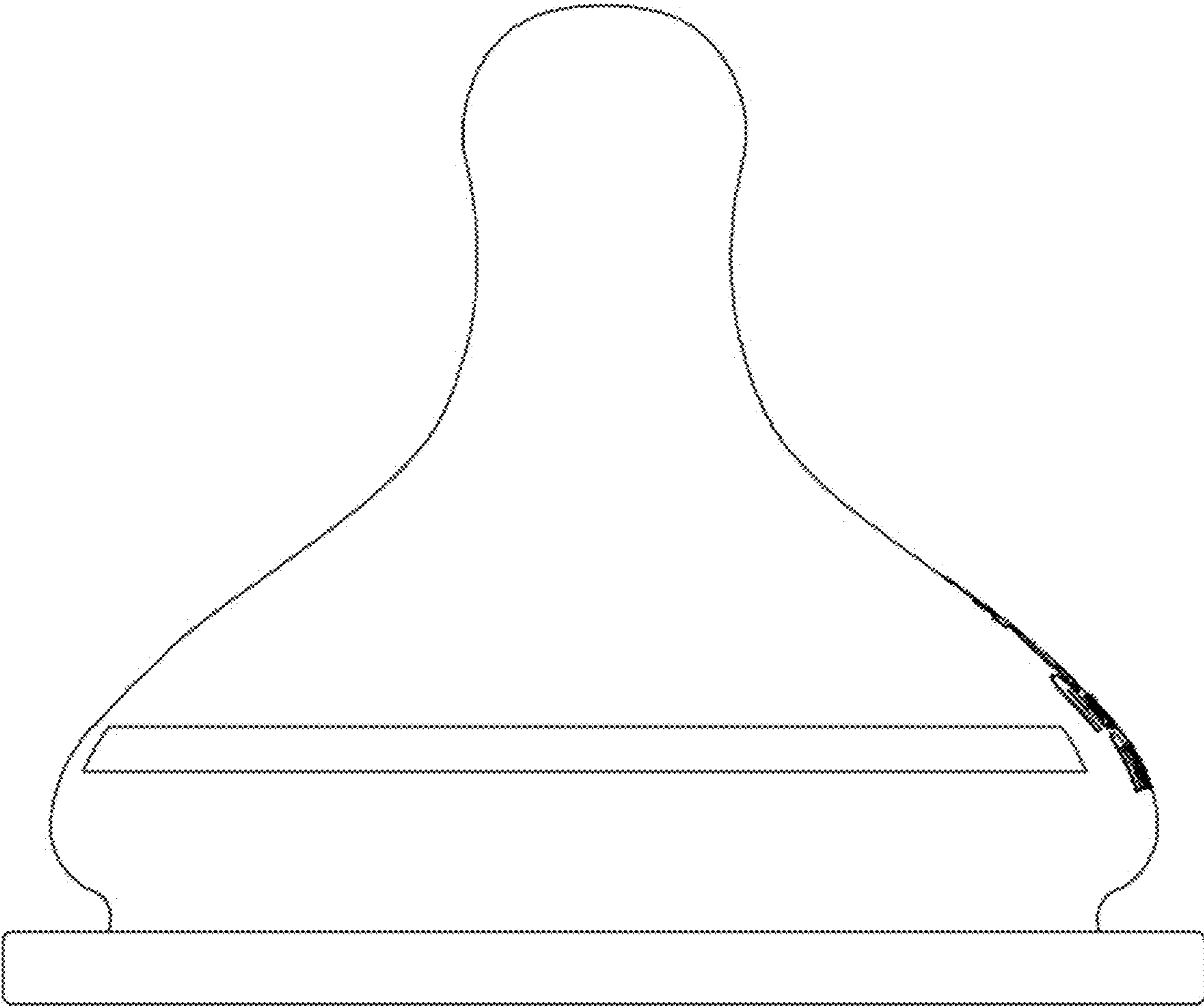
1.4



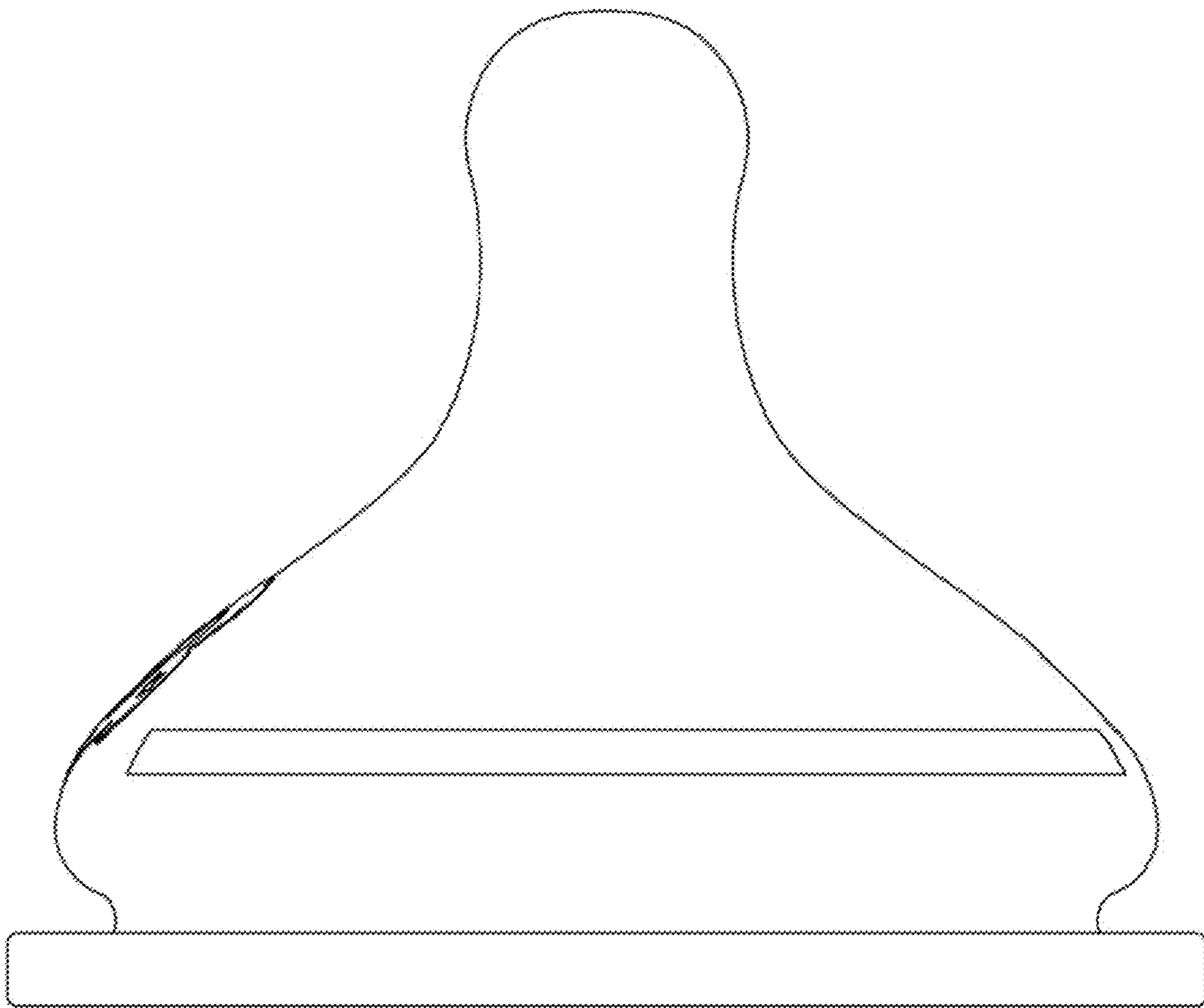
1.5



1.6

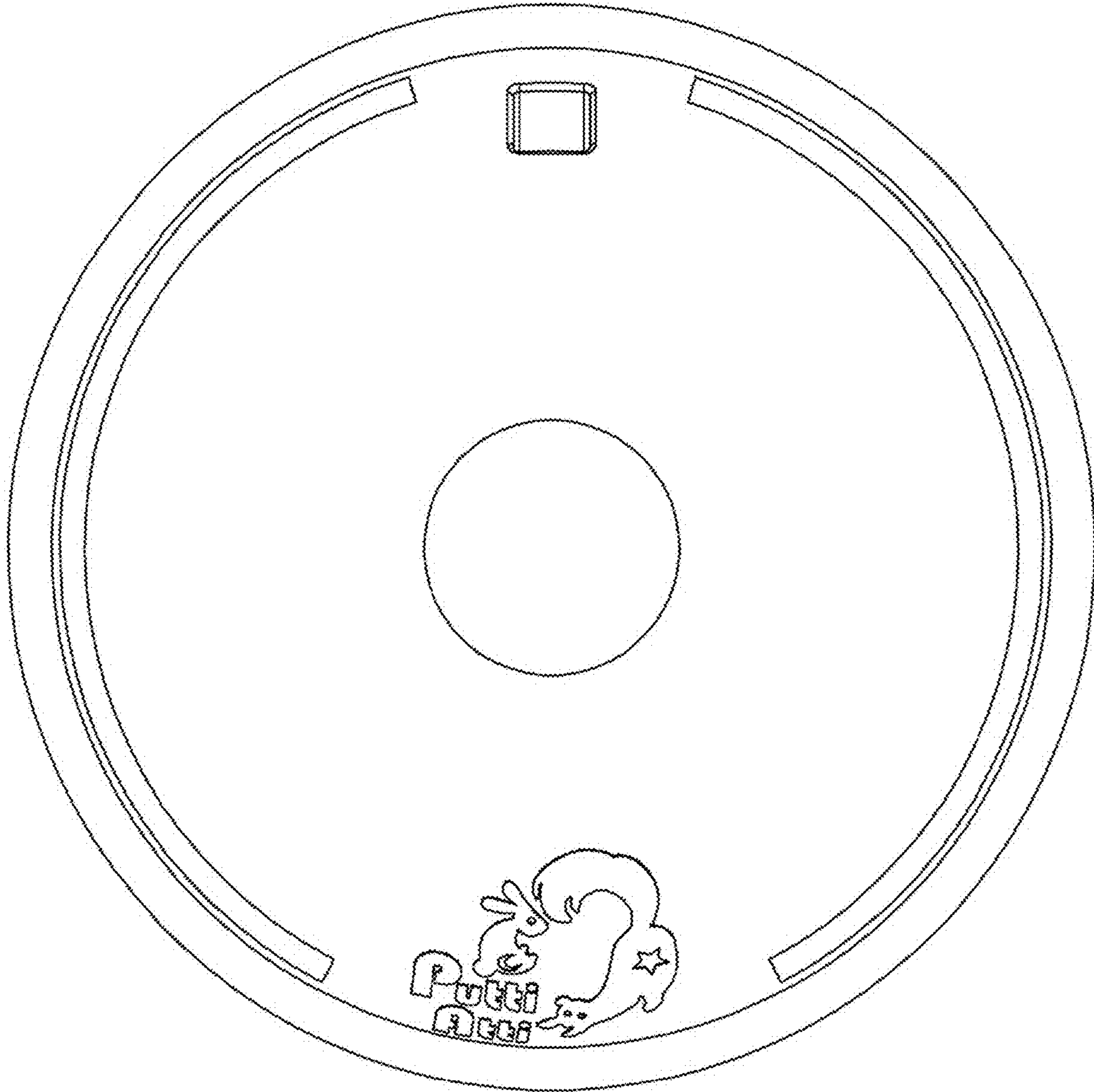


1.7

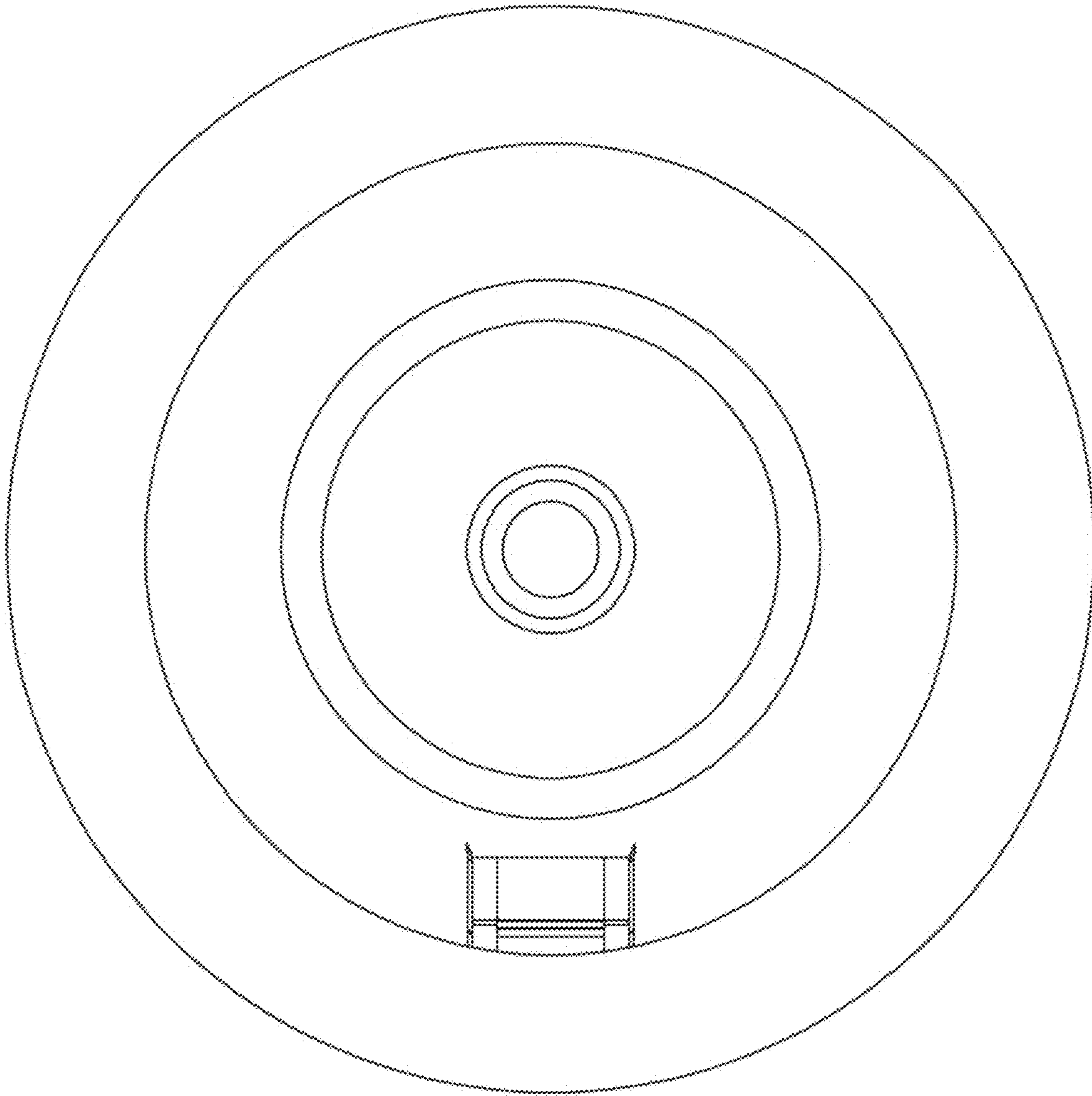




1.8



1.9



1.10

