



US00D836786S

(12) **United States Design Patent**
Laskowski et al.

(10) **Patent No.:** **US D836,786 S**

(45) **Date of Patent:** **** Dec. 25, 2018**

(54) **COMBINATION INFANT TEETHER AND FEEDER**

(71) Applicants: **Michael Laskowski**, Pittsburgh, PA (US); **Jenna Effler**, Pittsburgh, PA (US); **Marvin Church**, Apollo, PA (US)

(72) Inventors: **Michael Laskowski**, Pittsburgh, PA (US); **Jenna Effler**, Pittsburgh, PA (US); **Marvin Church**, Apollo, PA (US)

(73) Assignee: **HELEN OF TROY LIMITED**, St. Michael (BB)

(**) Term: **15 Years**

(21) Appl. No.: **29/598,077**

(22) Filed: **Mar. 22, 2017**

(51) **LOC (11) Cl.** **24-04**

(52) **U.S. Cl.**
USPC **D24/194**

(58) **Field of Classification Search**
USPC D24/115, 117, 193, 194, 195, 196, 197;
D30/160; D7/392.1; D9/436; D21/576,
D21/596, 604, 616, 619, 652
CPC . A61J 17/00; A61J 17/001; A61J 11/00; A61J
17/006

See application file for complete search history.

(56) **References Cited**

U.S. PATENT DOCUMENTS

- D305,459 S * 1/1990 Smith D24/196
- 5,300,089 A * 4/1994 Sassin A61M 31/00
606/234
- 5,571,140 A * 11/1996 Gura-Emerling A46B 5/0095
15/167.1
- D380,270 S * 6/1997 Rekar D24/194
- D439,983 S * 4/2001 Dealing D24/194

- 6,883,672 B2 * 4/2005 Dunn A61J 9/00
215/11.1
- 8,545,537 B2 * 10/2013 Murphy Matro A61J 17/001
606/234
- D702,360 S * 4/2014 Shenker D24/197
- D714,950 S * 10/2014 Lo D24/194

(Continued)

OTHER PUBLICATIONS

“OXO Tot Silicone Self-Feeder”. Found online Sep. 26, 2018 at amazon.com. Page dated Apr. 12, 2018. Retrieved from https://www.amazon.com/OXO-Tot-Silicone-Self-Feeder-Teal/dp/B0759R1SXN?th =1.*

(Continued)

Primary Examiner — George D. Kirschbaum
Assistant Examiner — Kendra Leslie Hamilton

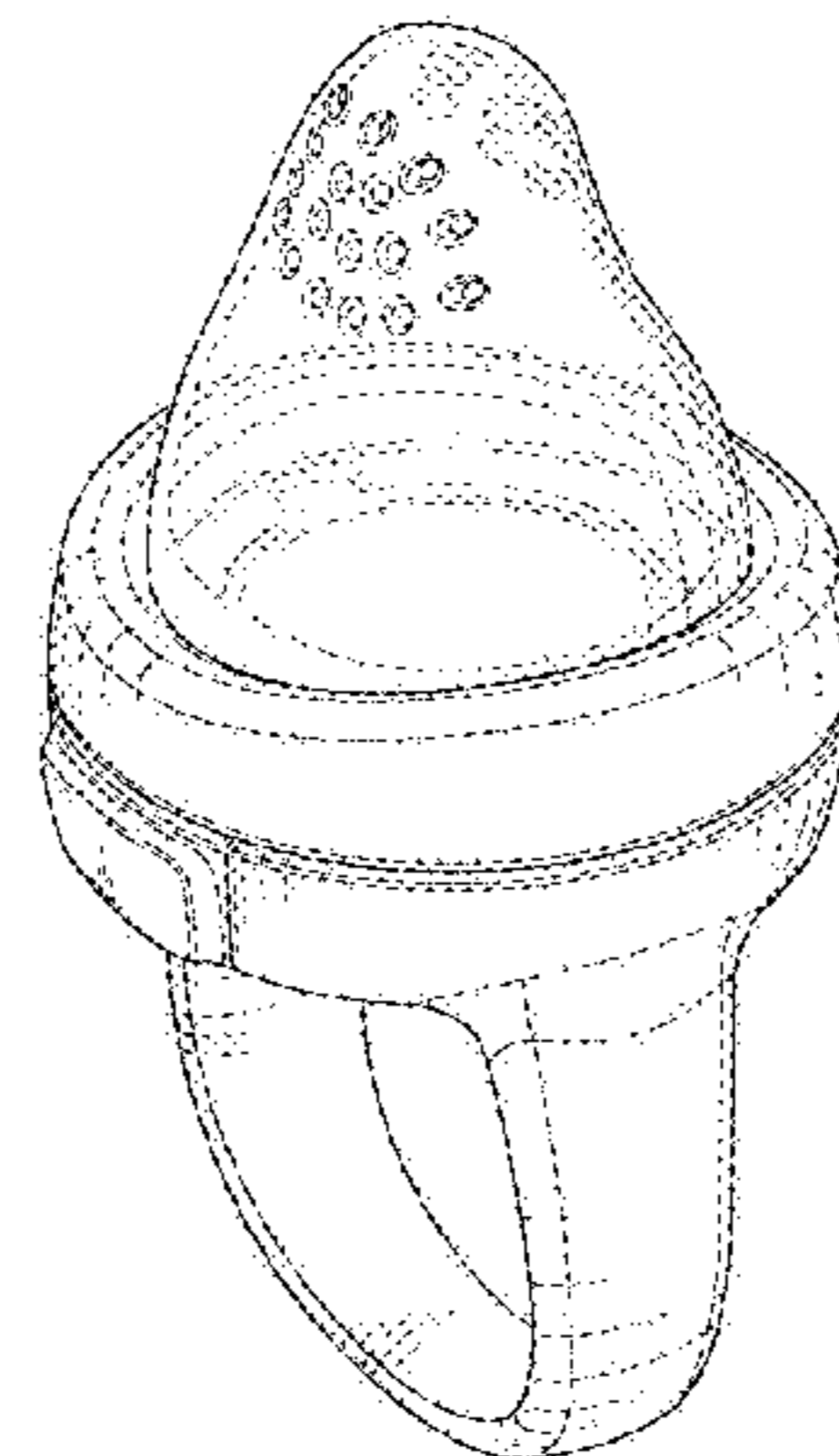
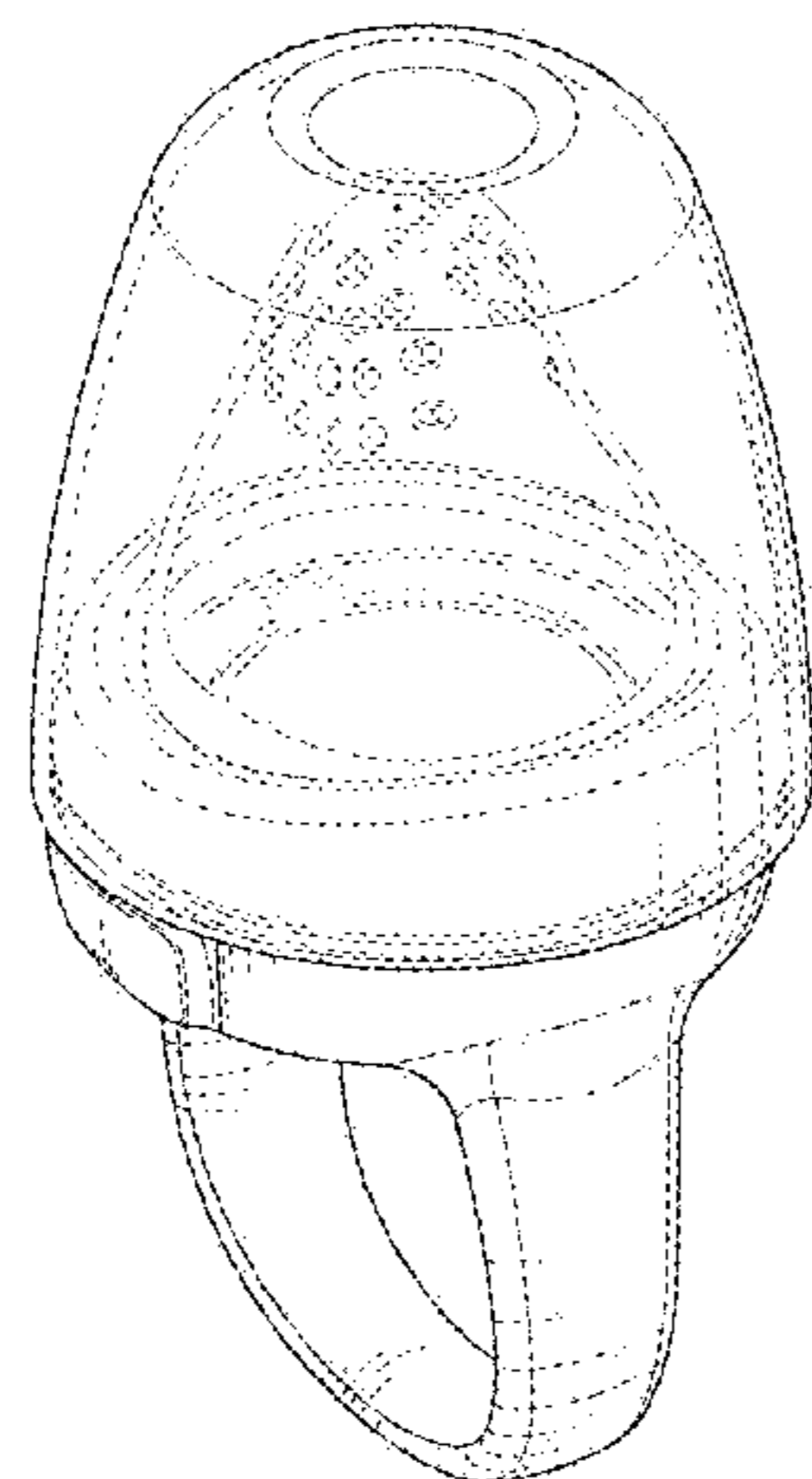
(57) **CLAIM**

The ornamental design for a combination infant teether and feeder, as shown, and described.

DESCRIPTION

FIG. 1 is a top perspective view of a combination infant teether and feeder showing our new design;
 FIG. 2 is a side elevation view thereof;
 FIG. 3 is a front elevation view thereof;
 FIG. 4 is a rear elevation view thereof;
 FIG. 5 is a top plan view thereof;
 FIG. 6 is a bottom plan view thereof;
 FIG. 7 is a top perspective view of the combination infant teether and feeder, shown exploded for clarity of disclosure;
 FIG. 8 is a top perspective view of the combination infant teether and feeder, shown with the cover removed for clarity of disclosure;
 FIG. 9 is a side elevation view thereof;
 FIG. 10 is a front elevation view thereof;
 FIG. 11 is a top plan view thereof; and,
 FIG. 12 is a bottom plan view thereof.

1 Claim, 12 Drawing Sheets



(56)

References Cited

U.S. PATENT DOCUMENTS

9,050,244 B2 * 6/2015 DeLaurier A23G 3/563
D749,897 S * 2/2016 Zicafoose D24/194
9,452,109 B2 * 9/2016 Sheikh A61J 9/001
D805,647 S * 12/2017 Jones D24/194

OTHER PUBLICATIONS

“Munchkin Baby Food Feeder”. Found online Jun. 28, 2018 at amazon.co.uk. Page dated Feb. 5, 2014. Retrieved from https://www.amazon.co.uk/Munchkin-Baby-Food-Feeder-Color/dp/B00I9KRWRC/ref=sr_1_12_a_it?ie=UTF8&qid=1530039991&sr=8-12&keywords=munchkin.*

“Kidsme Food Feeder Essential Set”. Found online Sep. 26, 2018 at babyfoodijirsbpafree.blogspot.com. Page dated Apr. 6, 2013. Retrieved from <http://babyfoodijirsbpafree.blogspot.com/2013/04/kidsme-food-feeder-essential-set.html>.*

“Kidsme Food Feeder Plus”. Found online Jun. 26, 2018 at amazon.co.uk. Page dated Dec. 8, 2014. Retrieved from https://www.amazon.co.uk/Kidsme-Food-Feeder-Plus-Green/dp/B00QQ0CWKY/ref=sr_1_14_a_it?ie=UTF8&qid=1530037989&sr=8-14&keywords=kidsme.*

* cited by examiner

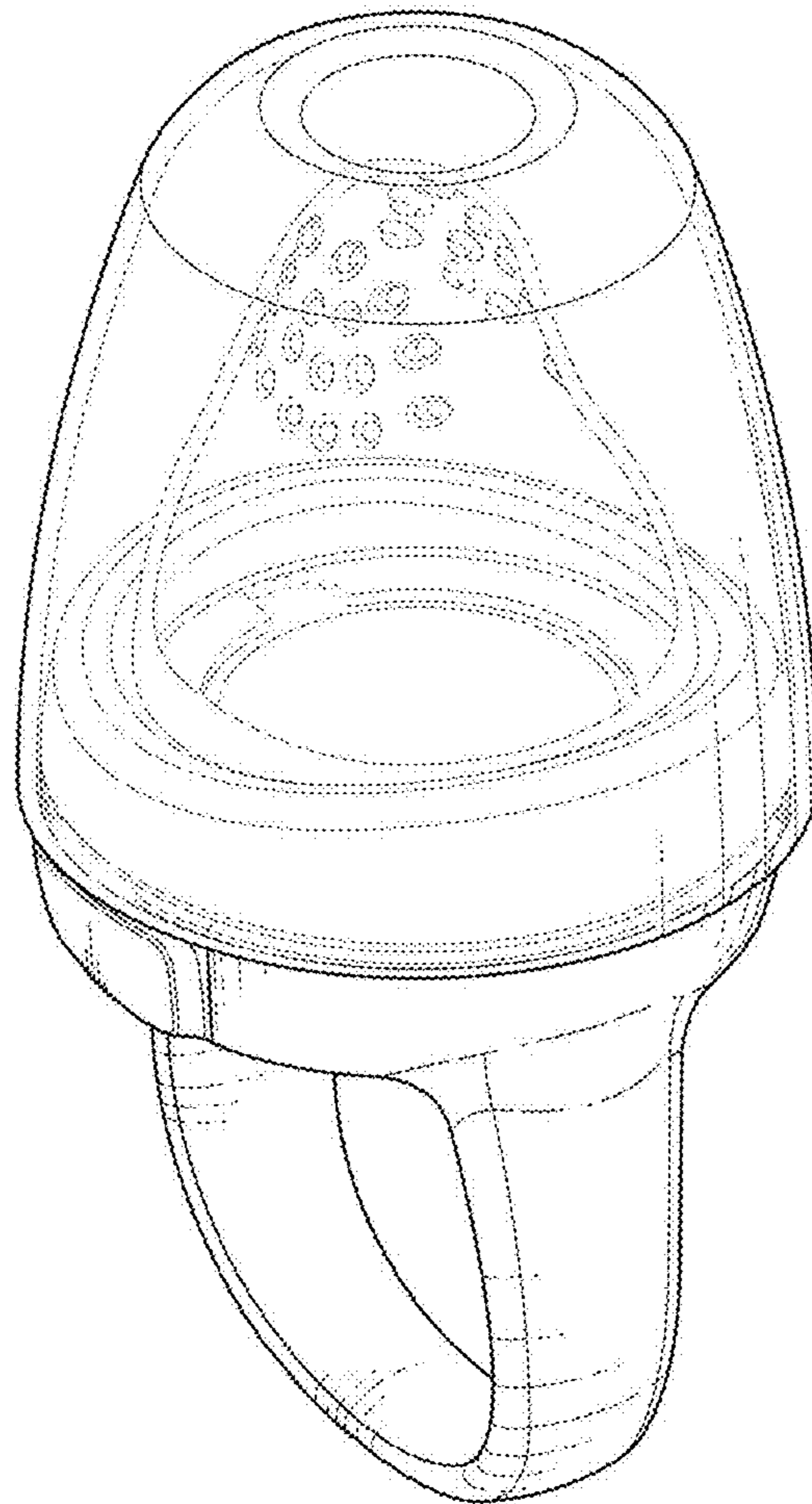


FIG. 1

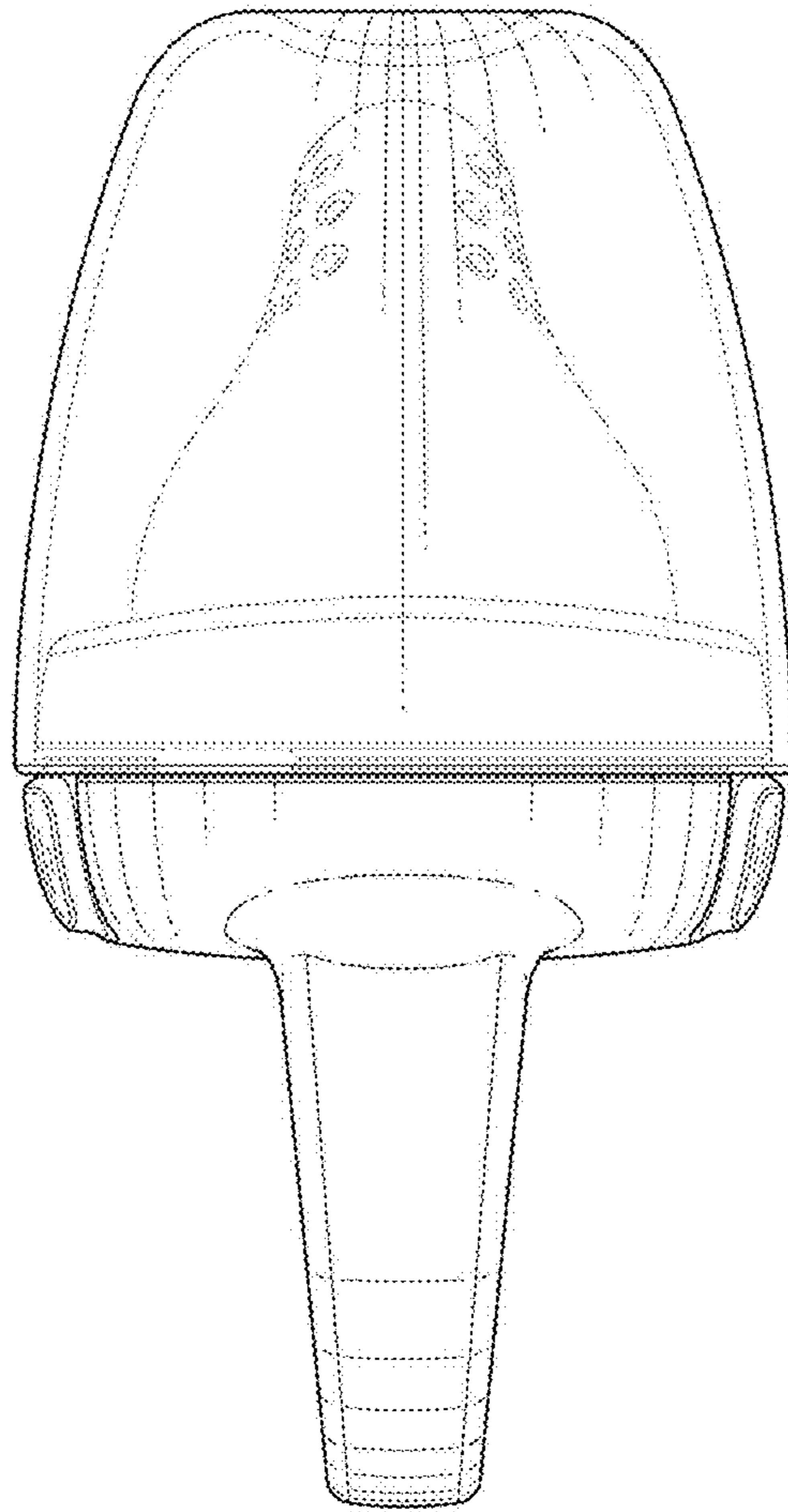


FIG. 2

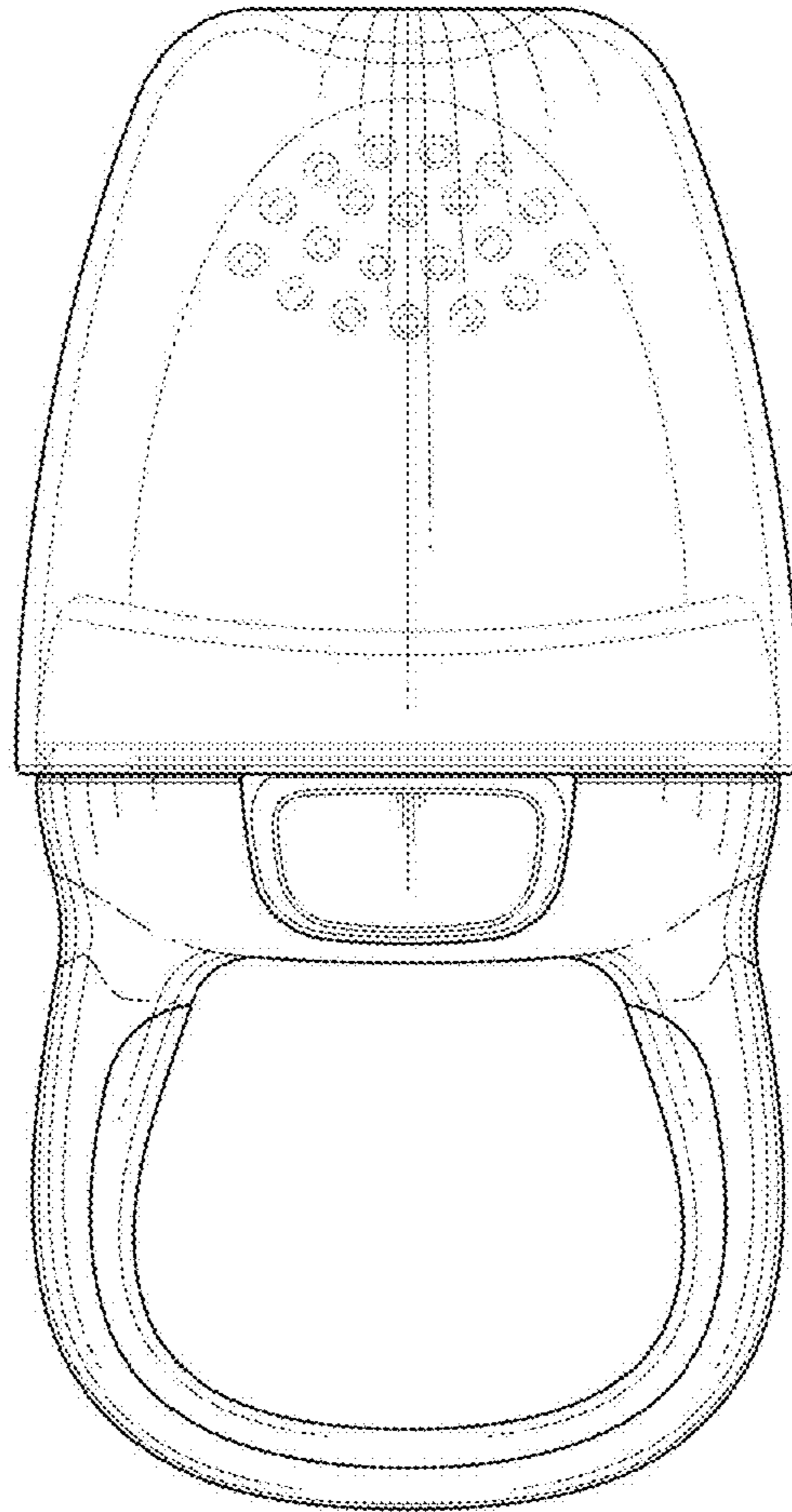


FIG. 3

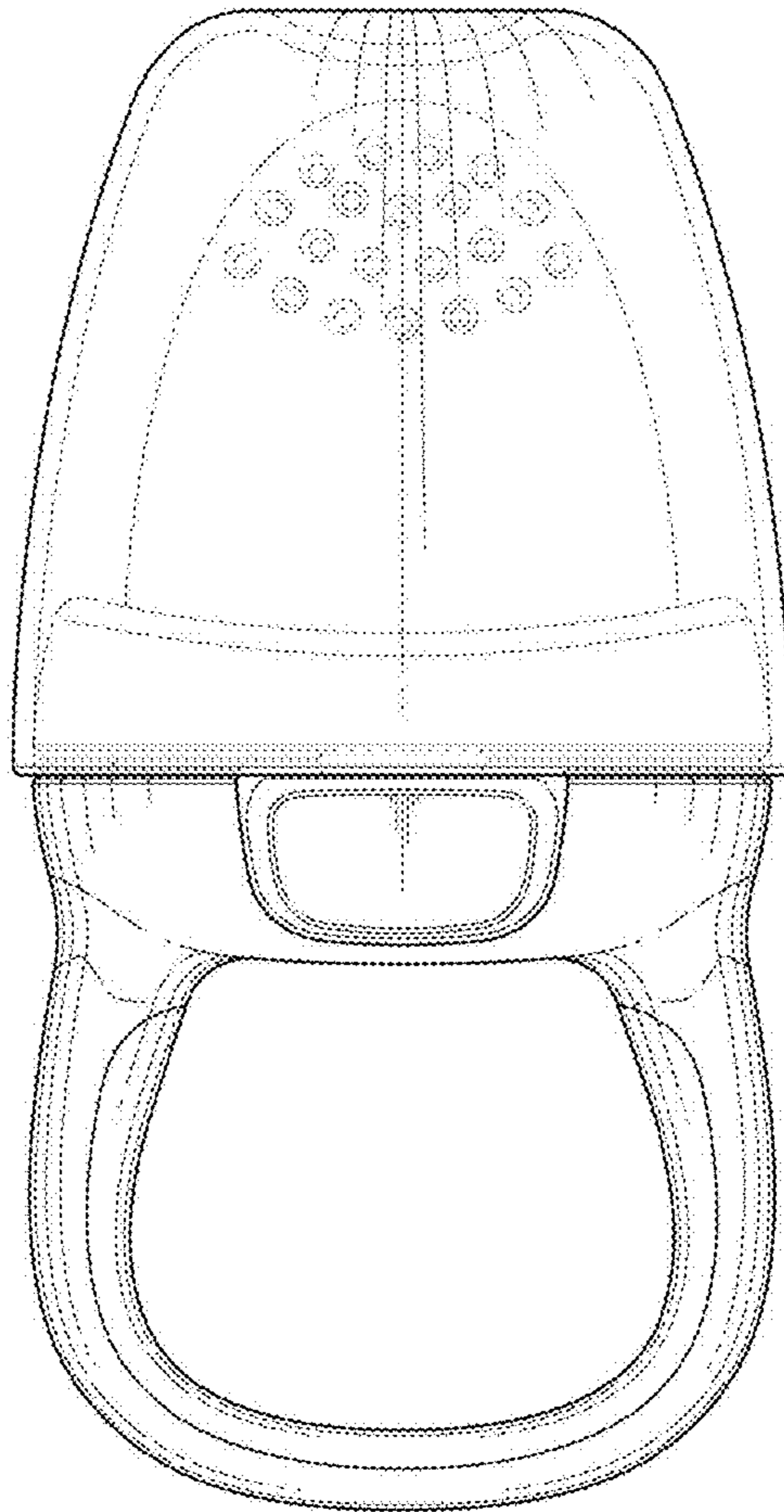


FIG. 4

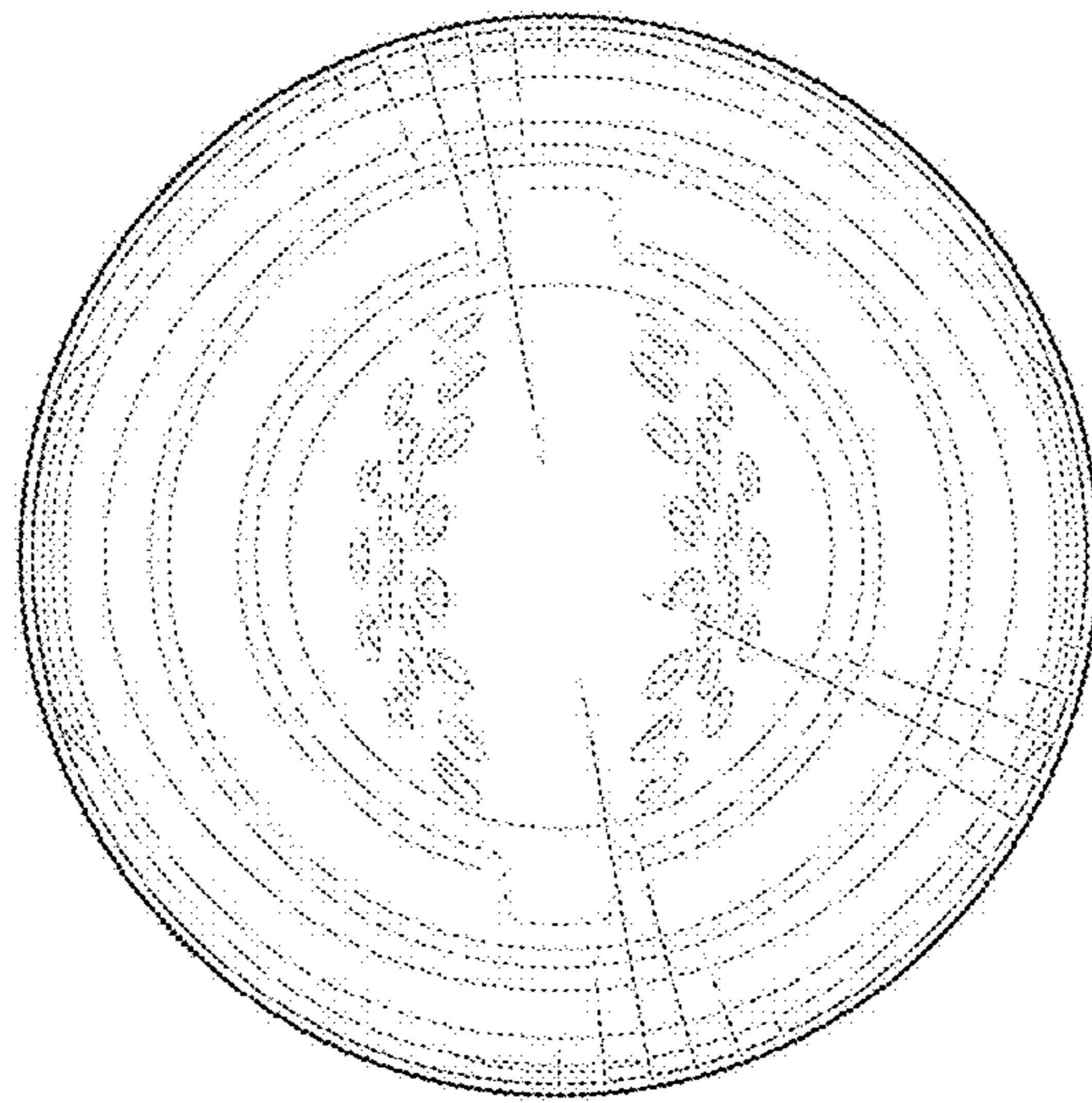


FIG. 5

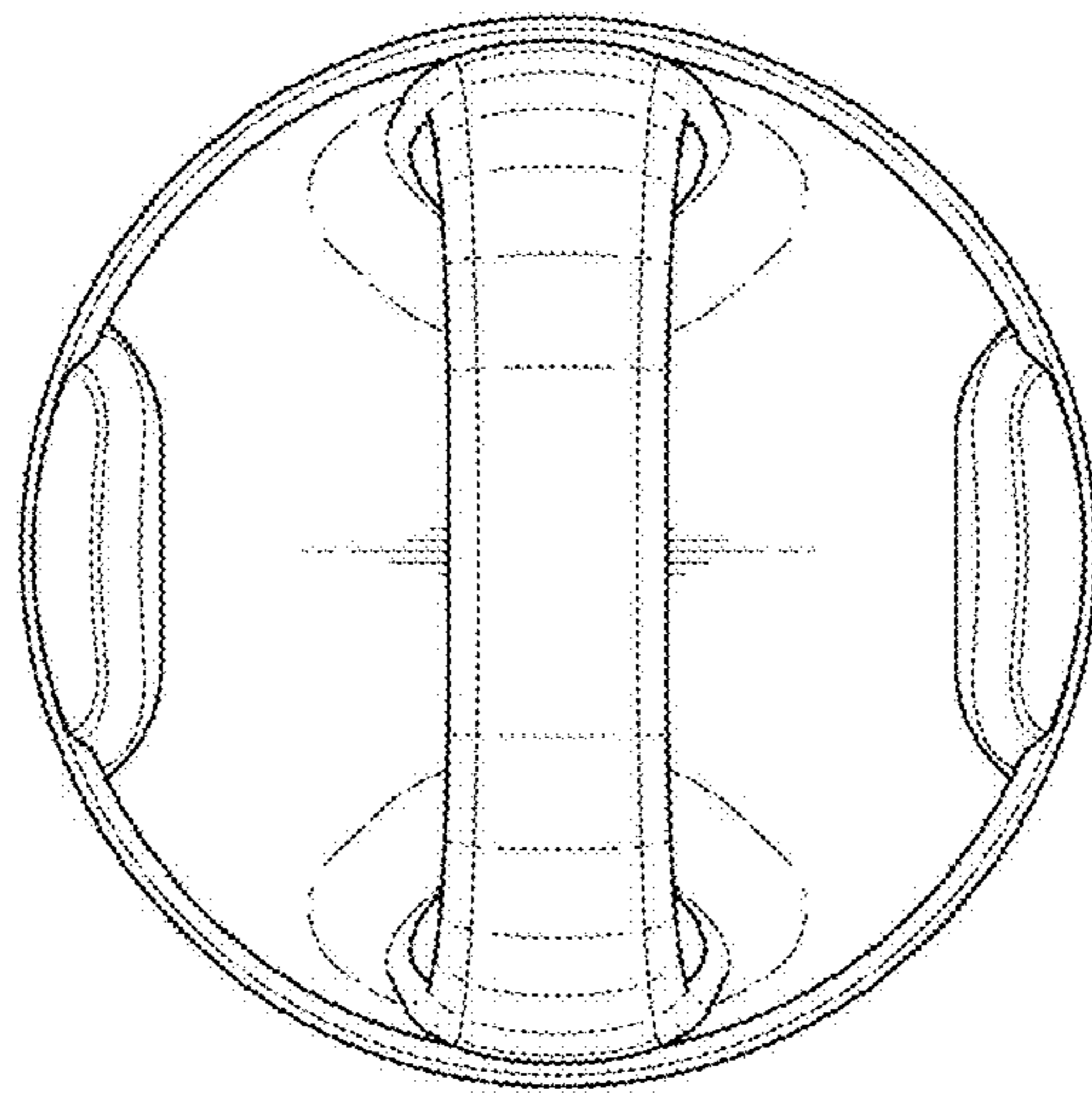


FIG. 6

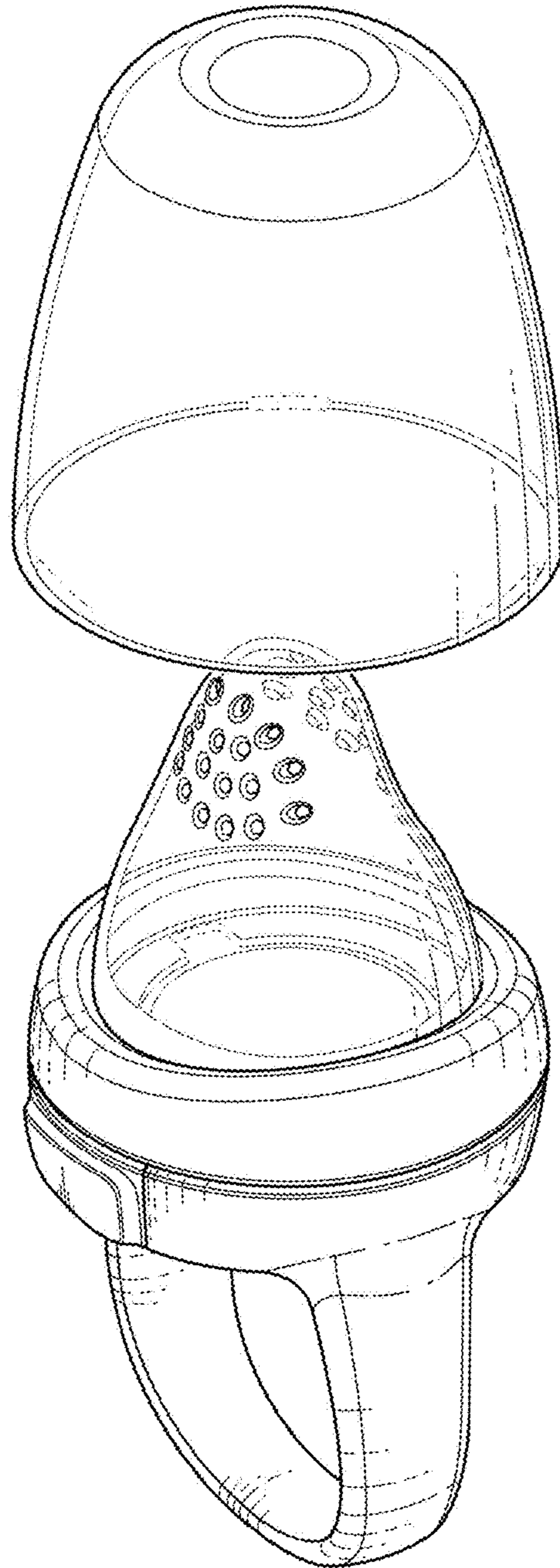


FIG. 7

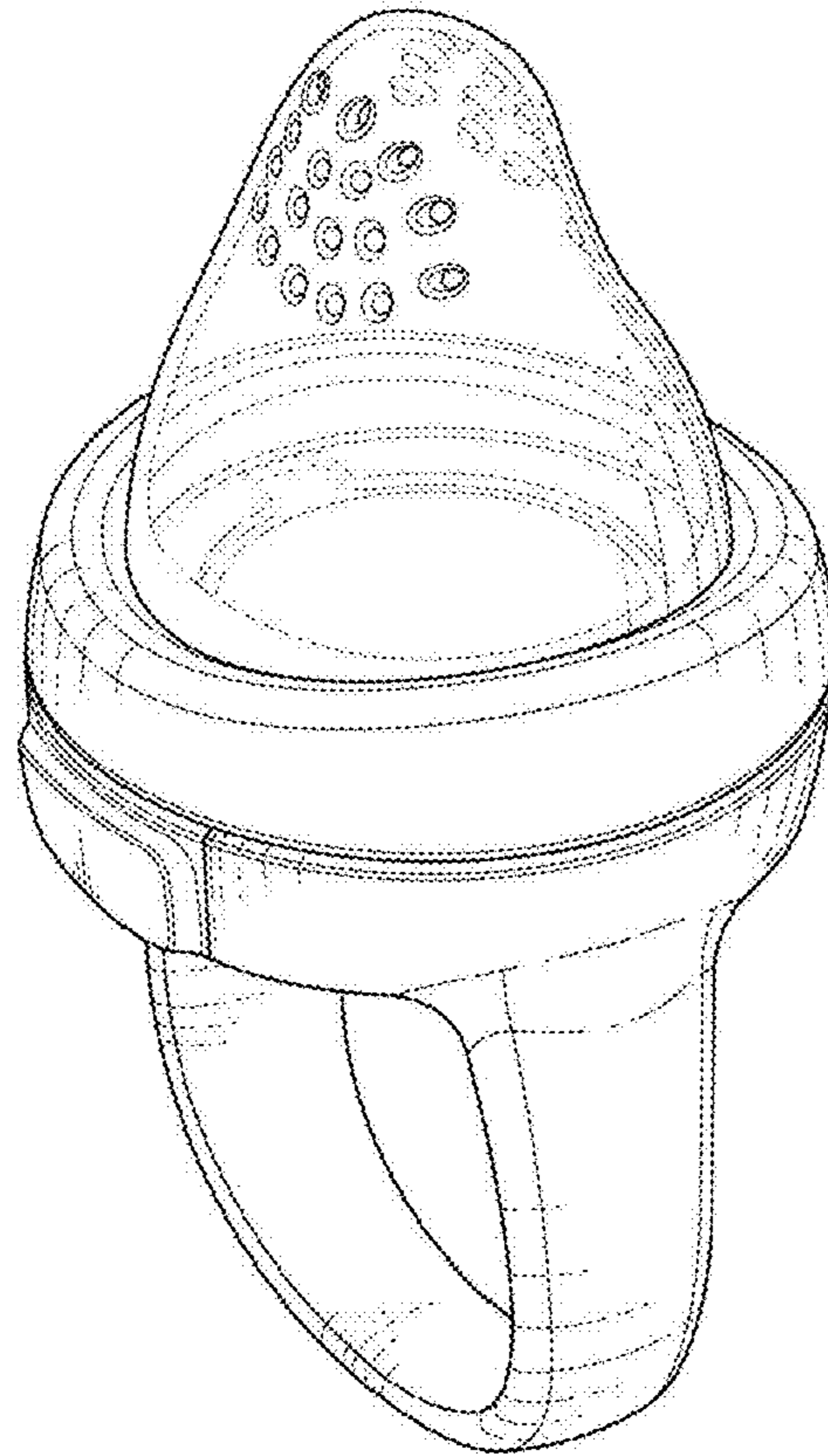


FIG. 8

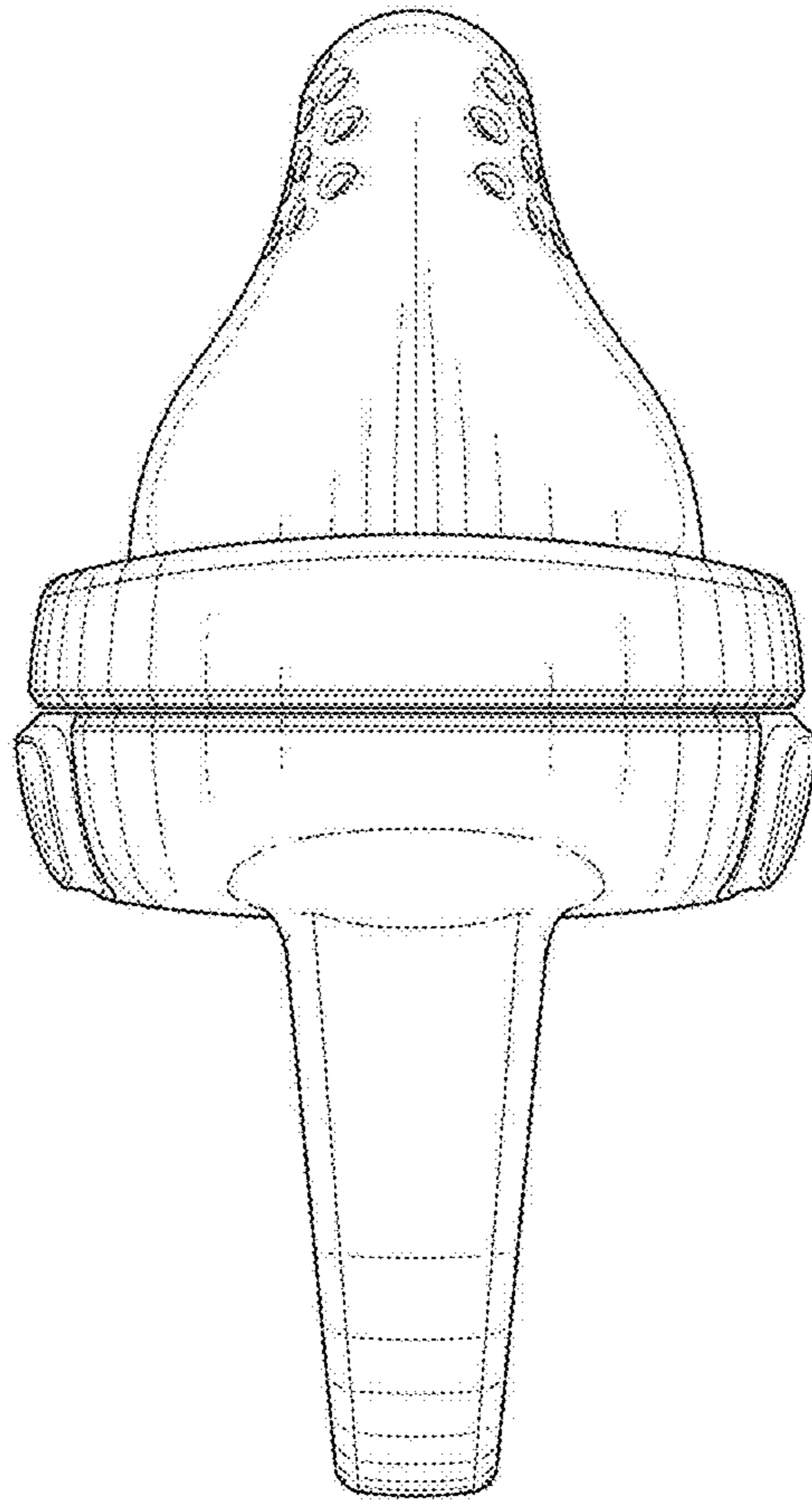


FIG. 9

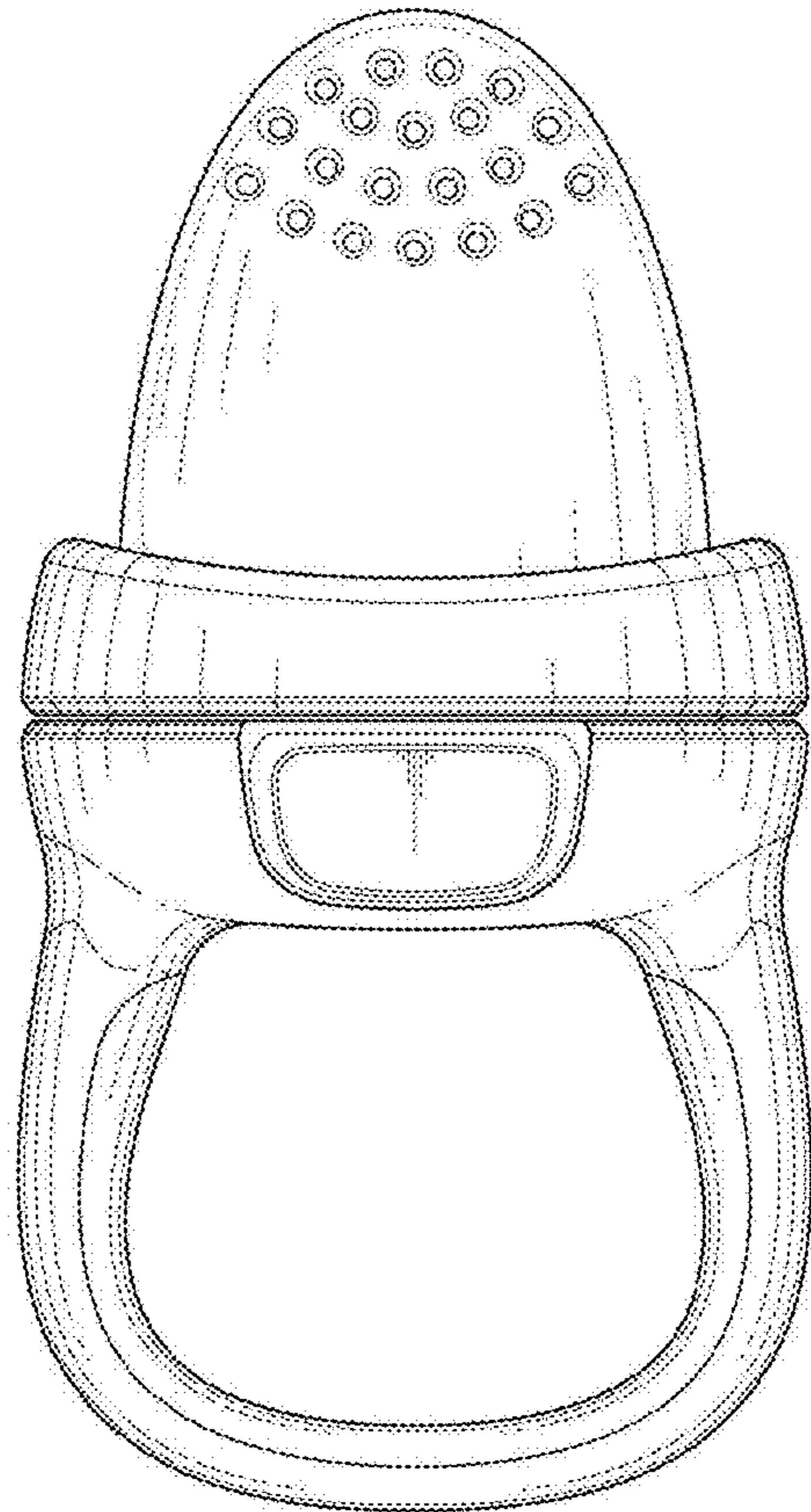


FIG. 10

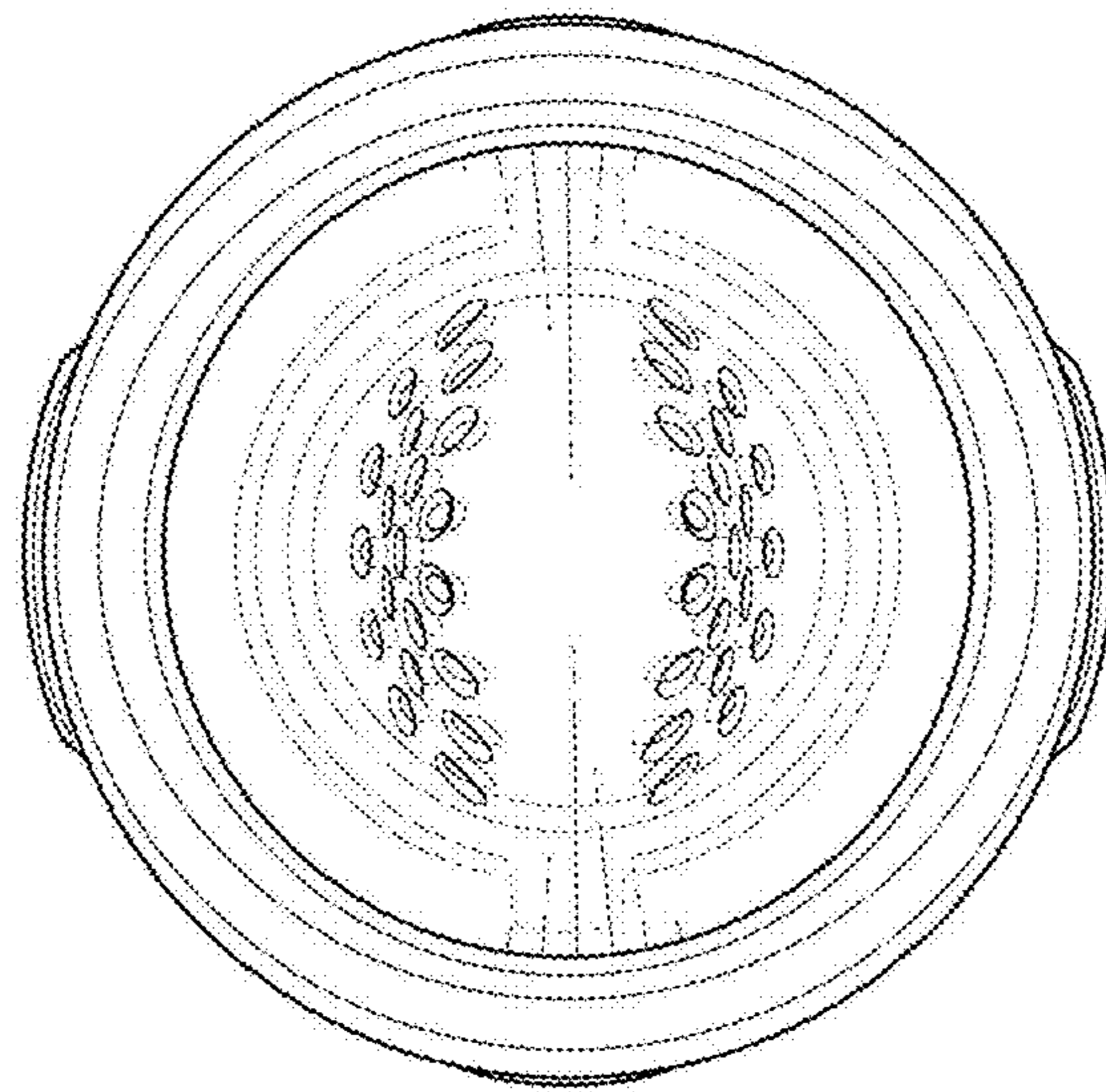


FIG. 11

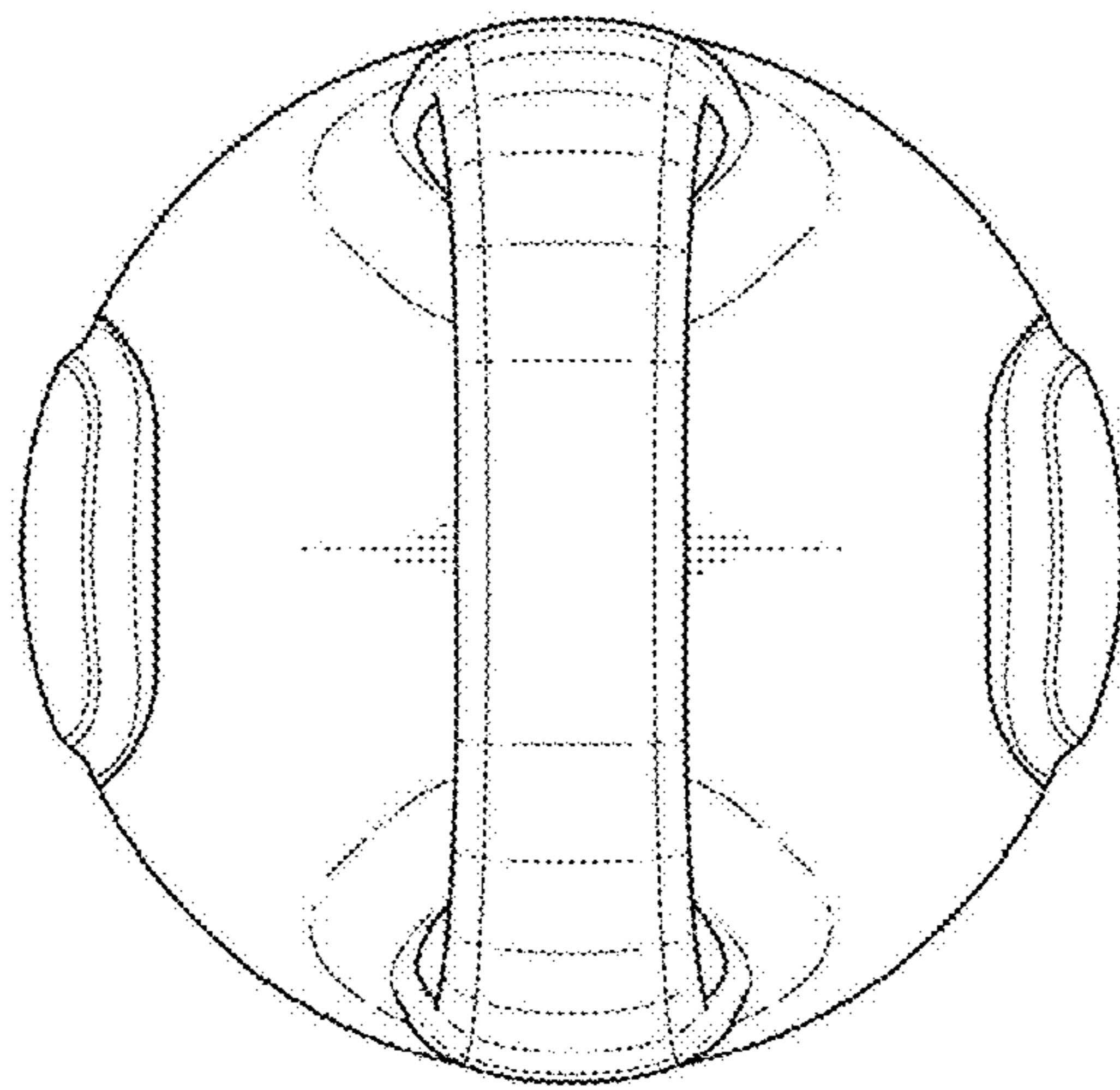


FIG. 12