



US00D836783S

(12) **United States Design Patent**
Hilliard

(10) **Patent No.:** **US D836,783 S**

(45) **Date of Patent:** **** Dec. 25, 2018**

- (54) **NECK AND CHIN SUPPORT**
- (71) Applicant: **Avery Hilliard**, Jackson, MS (US)
- (72) Inventor: **Avery Hilliard**, Jackson, MS (US)
- (**) Term: **15 Years**
- (21) Appl. No.: **29/592,657**
- (22) Filed: **Feb. 1, 2017**
- (51) **LOC (11) Cl.** **24-99**
- (52) **U.S. Cl.**
USPC **D24/190**
- (58) **Field of Classification Search**
USPC D24/190, 191, 193; 602/19, 5, 6, 20, 13;
128/869
CPC A61F 5/00; A61F 5/02; A61F 5/028
See application file for complete search history.

- 8,038,635 B2 * 10/2011 Dellanno A61F 5/055
128/869
- D649,649 S 11/2011 Leatt et al.
- D699,364 S * 2/2014 Chiang D24/190
- 8,932,243 B2 * 1/2015 Calabrese A61F 5/055
602/18
- 9,668,906 B2 * 6/2017 Thorgilsdottir A61F 5/055
- 9,839,551 B2 * 12/2017 Garth A61F 5/055
- 2002/0068890 A1 * 6/2002 Schwenn A61F 5/0193
602/19
- 2014/0107551 A1 * 4/2014 Modglin A61F 5/055
602/18

* cited by examiner

Primary Examiner — Susan Bennett Hattan
Assistant Examiner — Rebecca Tsehaye
 (74) *Attorney, Agent, or Firm* — Scott T. Griggs; Griggs
 Bergen LLP

(57) **CLAIM**

The ornamental design for a neck and chin support, as shown and described.

(56) **References Cited**

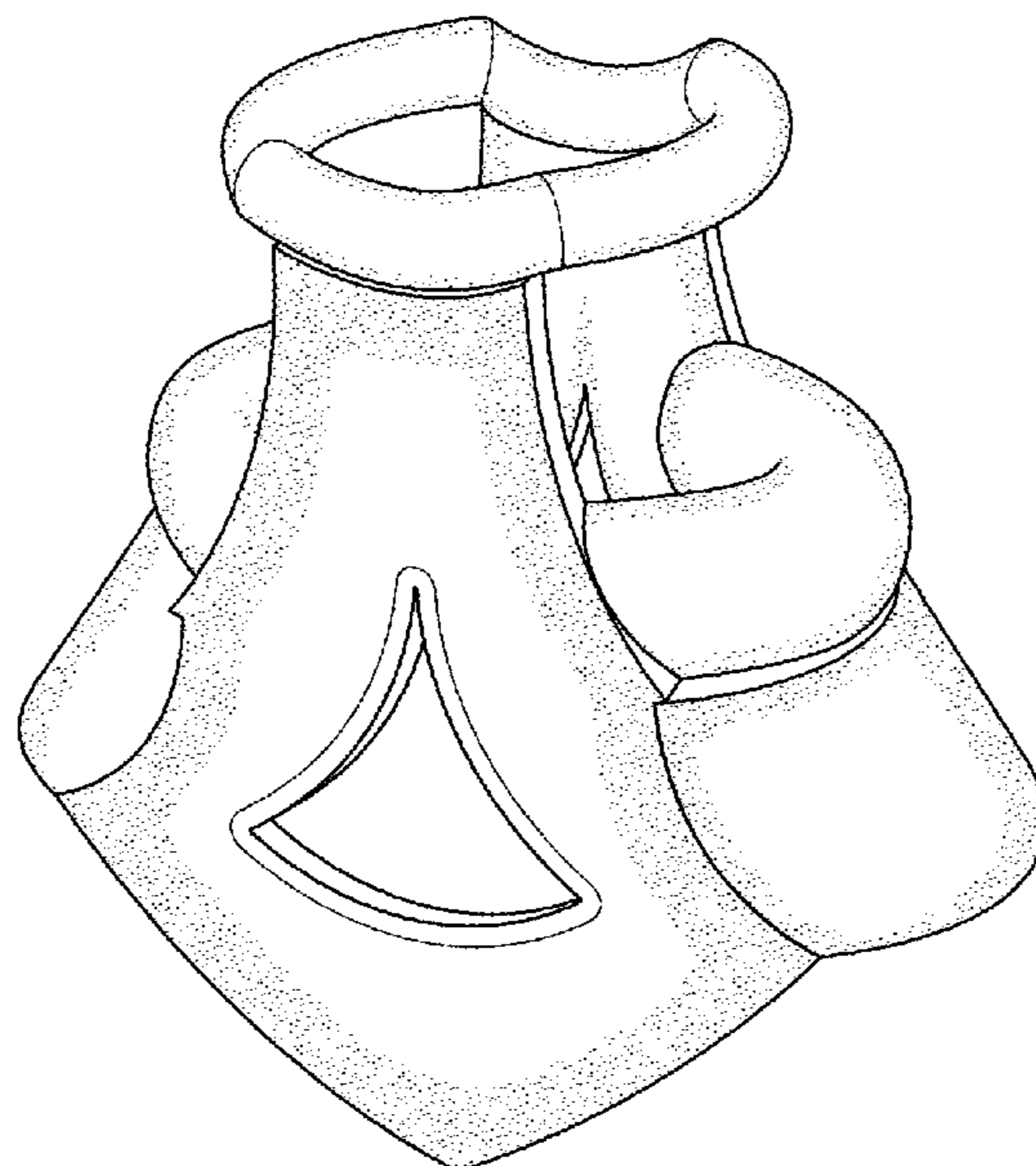
U.S. PATENT DOCUMENTS

- 3,411,500 A * 11/1968 Gatts A63B 21/023
600/20
- 4,827,915 A 5/1989 Gorsen
- 5,010,877 A 4/1991 Druskoczi
- 5,074,288 A * 12/1991 Miller A61F 5/02
128/869
- 5,437,612 A 8/1995 Moore et al.
- 5,632,722 A * 5/1997 Tweardy A61F 5/055
128/DIG. 23
- 5,797,713 A 8/1998 Tweardy et al.
- 6,254,560 B1 * 7/2001 Tweardy A61F 5/055
128/DIG. 23
- 6,494,854 B1 12/2002 Visness et al.
- D552,742 S 10/2007 Leatt
- D592,310 S 5/2009 Leatt et al.
- D609,815 S 2/2010 Patterson
- D616,996 S 6/2010 Thorgilsdottir et al.

DESCRIPTION

FIG. 1 is a front perspective view of a neck and chin support; FIG. 2 is a top plan view of the neck and chin support shown in FIG. 1, which includes left-right symmetry; FIG. 3 is a bottom plan view of the neck and chin support shown in FIG. 1; FIG. 4 is a front elevation view of the neck and chin support shown in FIG. 1; FIG. 5 is a rear elevation view of the neck and chin support as shown in FIG. 1; FIG. 6 is a left side elevation view of the neck and chin support as shown in FIG. 1; and, FIG. 7 is a right side elevation view of the neck and chin support as shown in FIG. 1.

1 Claim, 2 Drawing Sheets



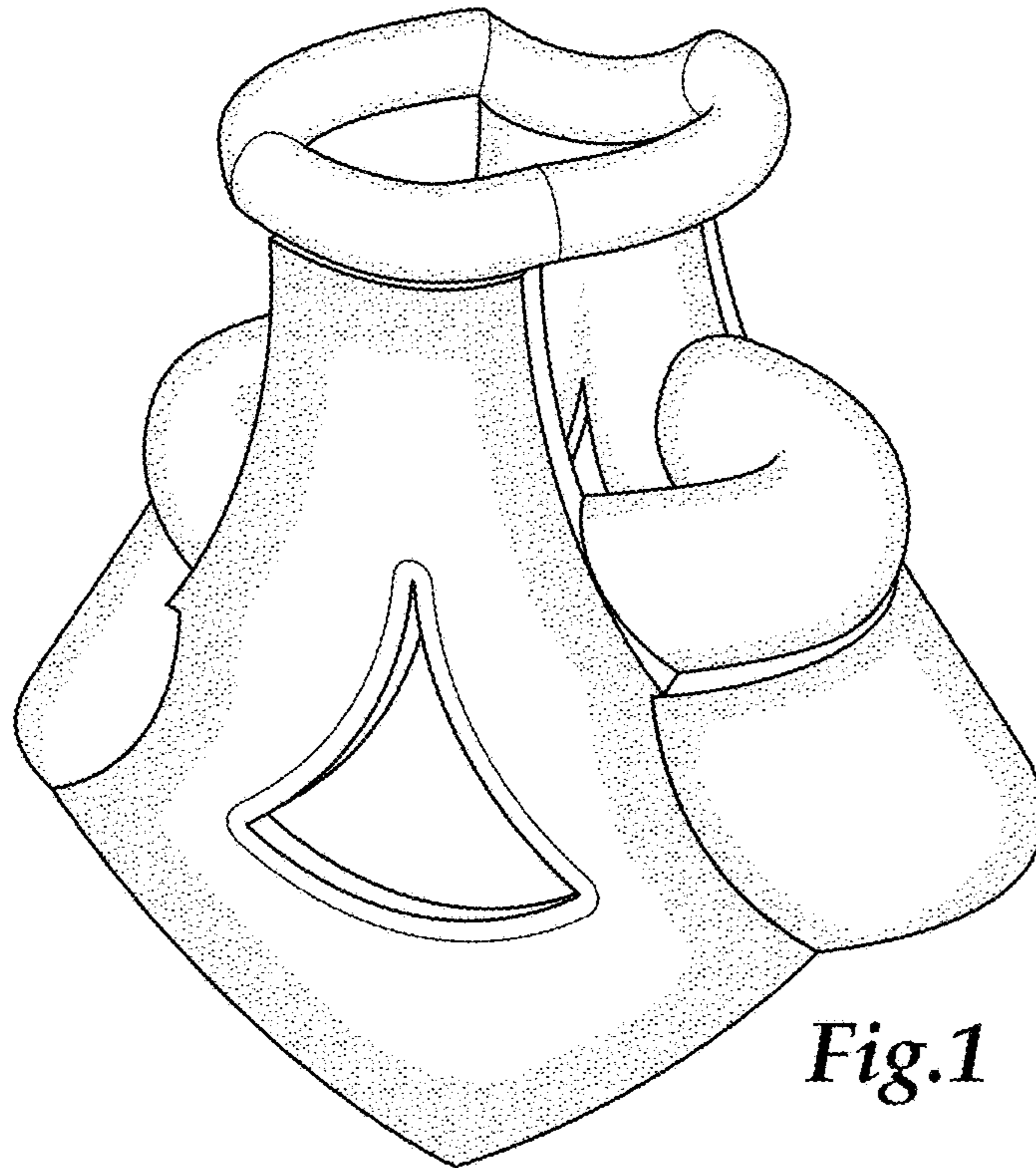


Fig.1

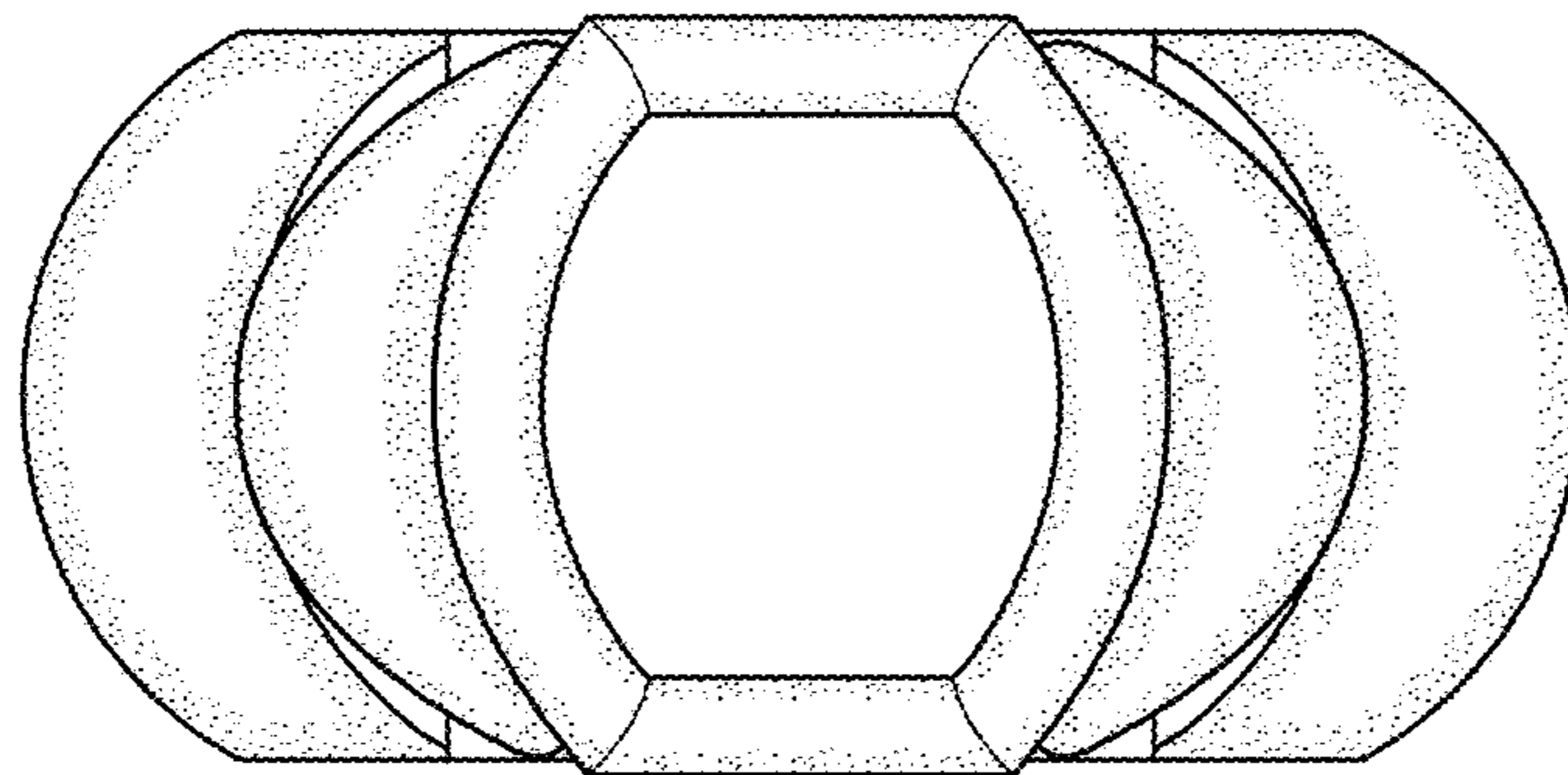


Fig.2

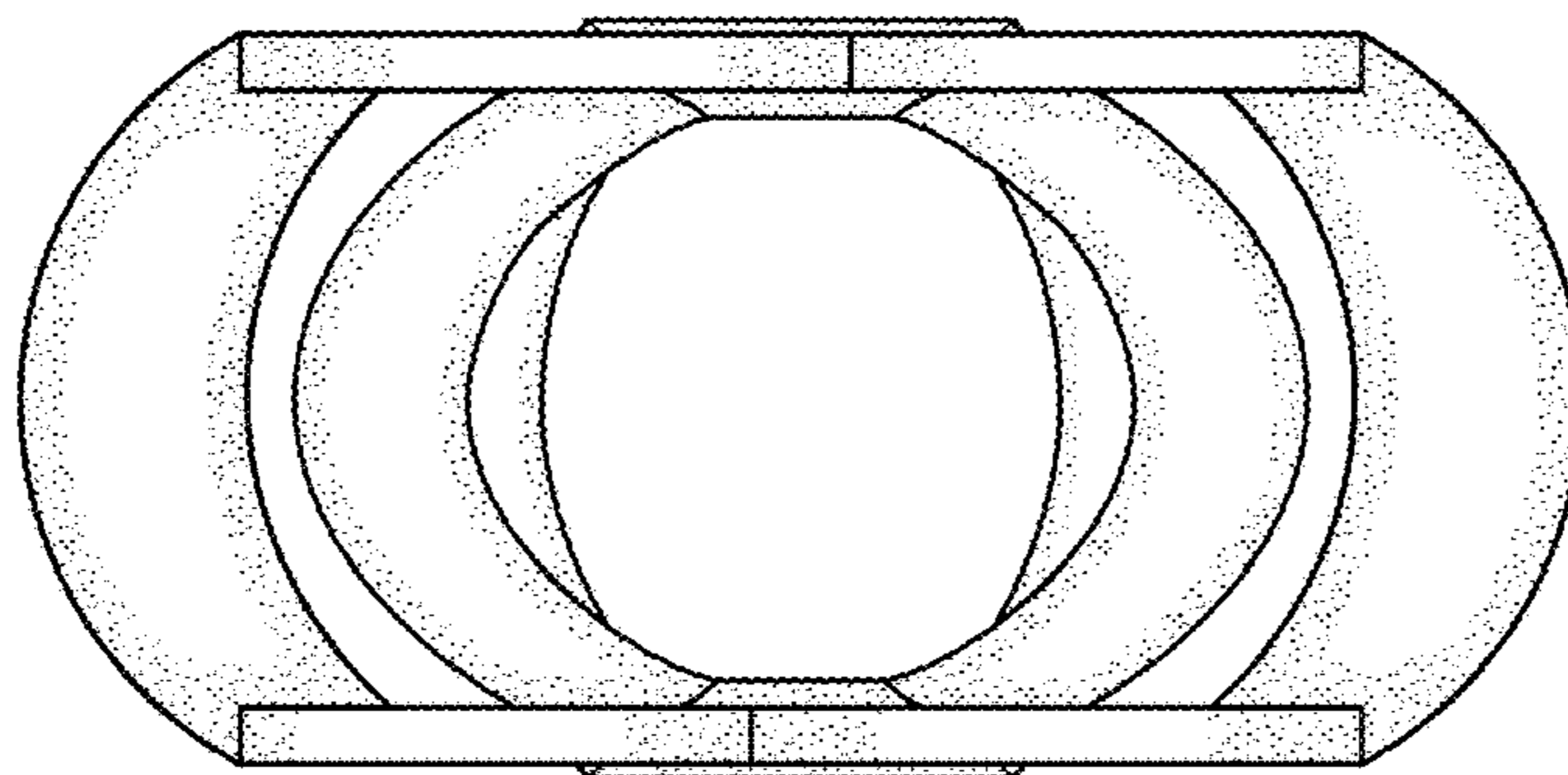


Fig.3

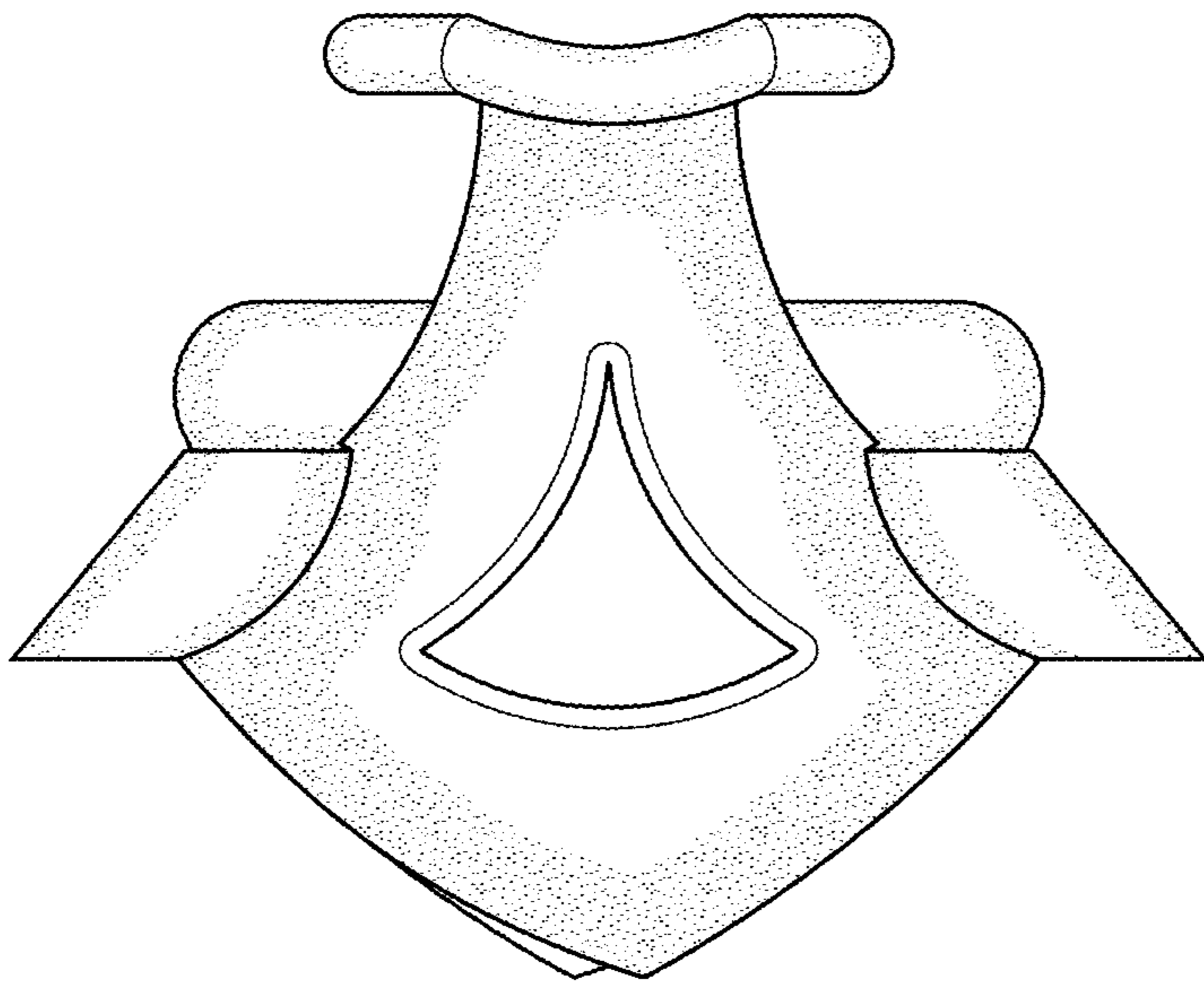


Fig.4

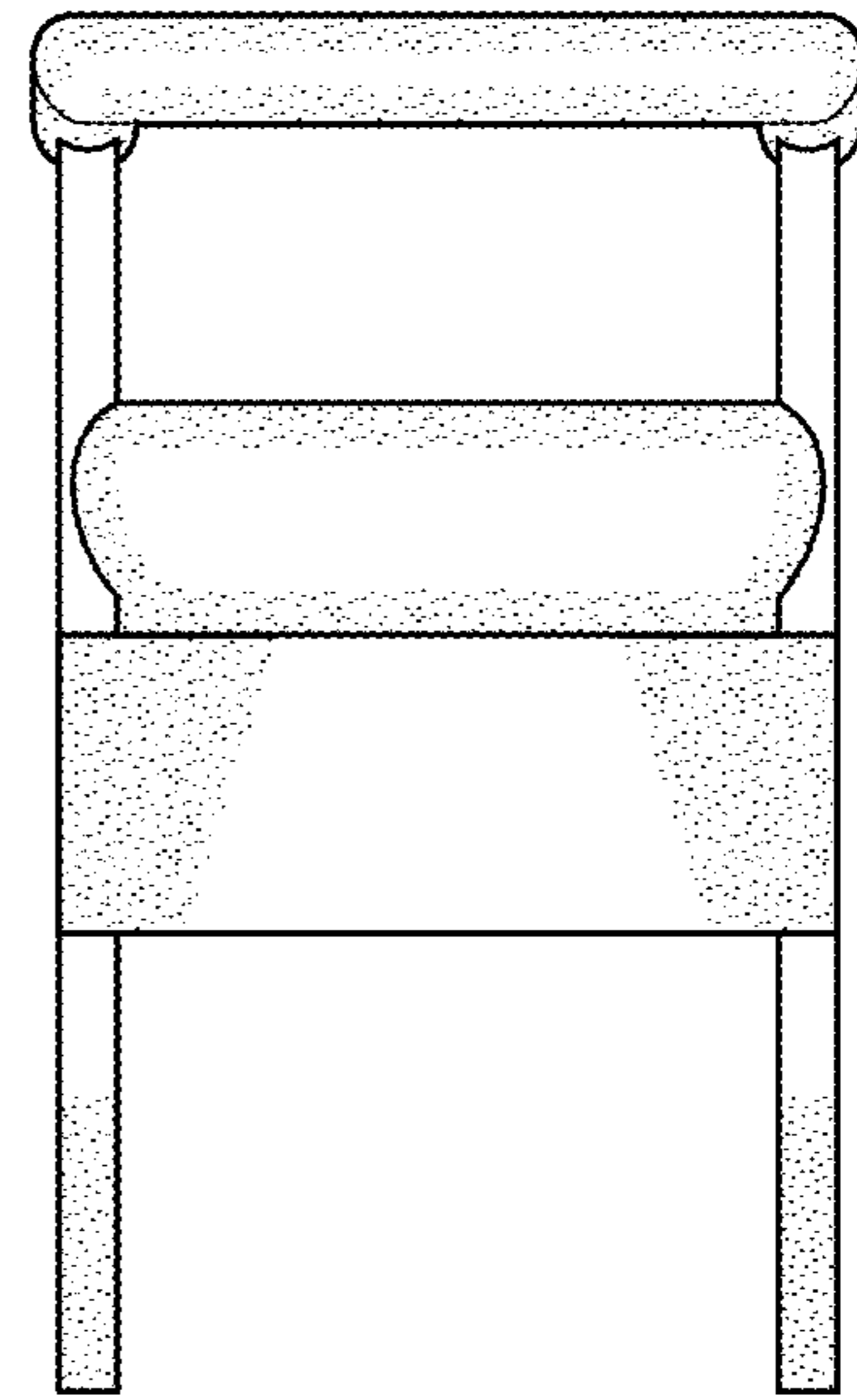


Fig.6

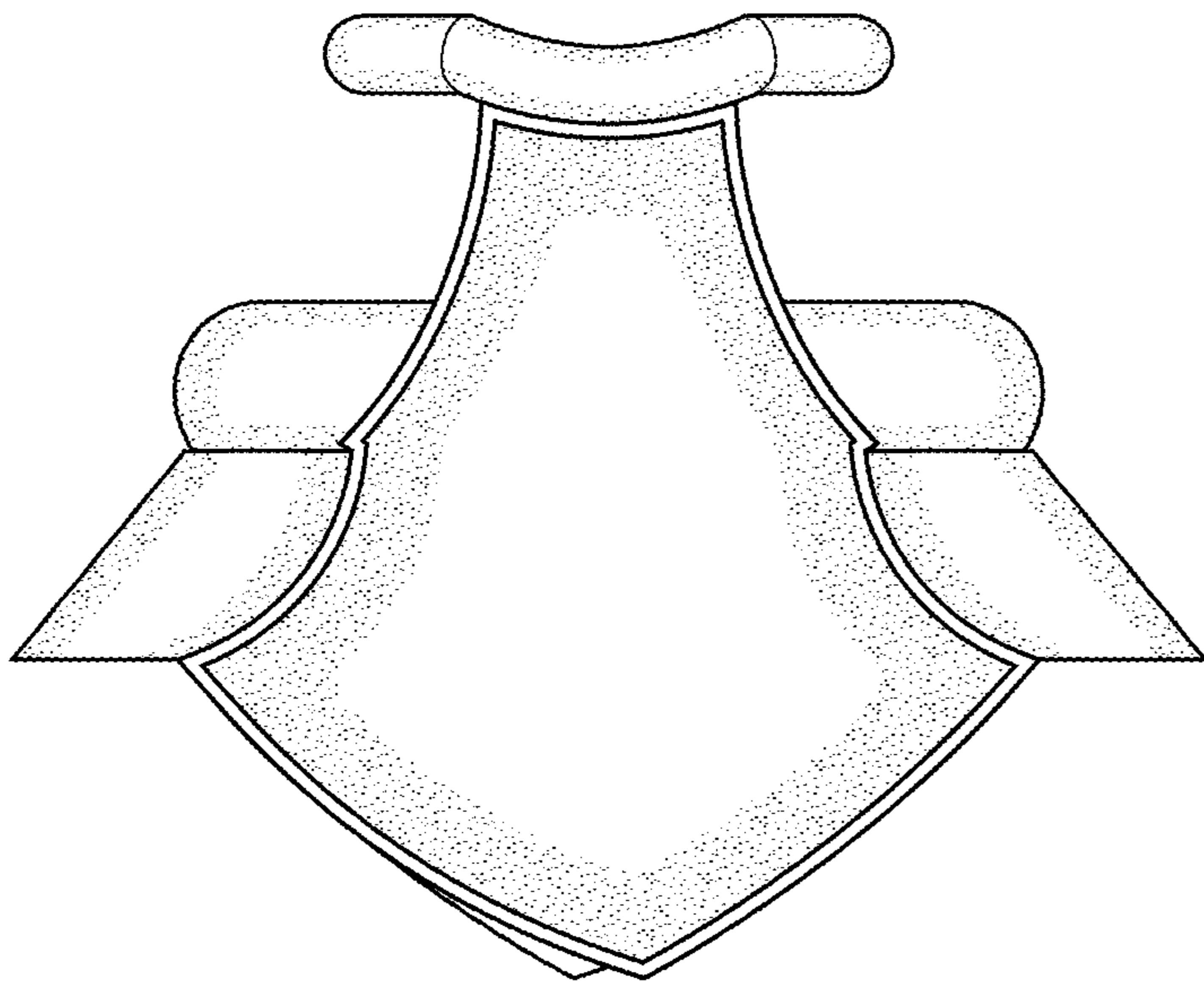


Fig.5

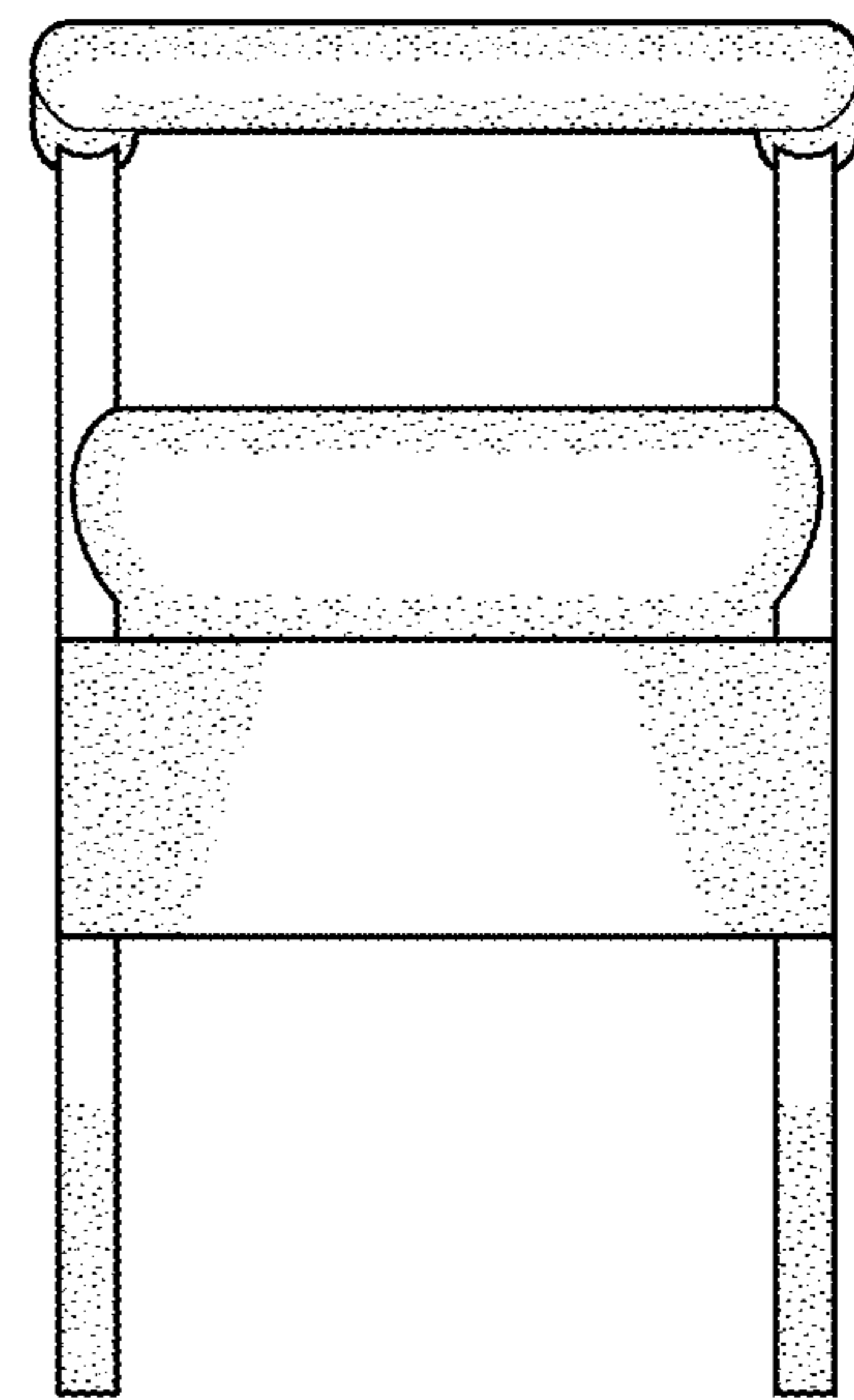


Fig.7