



US00D836781S

(12) **United States Design Patent** (10) **Patent No.:** **US D836,781 S**
Meurer et al. (45) **Date of Patent:** **** Dec. 25, 2018**

- (54) **MONITOR AND CABINET IN COMBINATION**
- (71) Applicant: **General Electric Company**, Schenectady, NY (US)
- (72) Inventors: **Robert Andrew Meurer**, Waukesha, WI (US); **Craig Loomis**, Shorewood, WI (US); **Philip Stankard**, Waukesha, WI (US); **Alex Sokolovski**, Haifa (IL); **Ross Stalter**, Hartland, WI (US)
- (73) Assignee: **General Electric Company**, Schenectady, NY (US)
- (**) Term: **15 Years**
- (21) Appl. No.: **29/602,270**
- (22) Filed: **Apr. 28, 2017**
- (51) **LOC (11) Cl.** **24-01**
- (52) **U.S. Cl.**
USPC **D24/185; D24/160**
- (58) **Field of Classification Search**
USPC D24/158–161, 185–186; 600/407, 439, 600/446
CPC ... A61B 8/0437; A61B 8/0883; A61B 8/4405; A61B 8/4411; A61B 8/4427; A61B 8/445; A61B 8/4455; A61B 8/4461; A61B 8/4483; A61B 8/46; A61B 8/462
See application file for complete search history.

- (56) **References Cited**
- U.S. PATENT DOCUMENTS
- 5,868,710 A * 2/1999 Battiato A61M 5/14546
128/DIG. 1
- D648,855 S * 11/2011 Smith D24/158

D652,936 S *	1/2012	Ross	D24/185
D657,470 S *	4/2012	Schon	D24/186
D662,208 S *	6/2012	Otoha	D24/185
D707,359 S *	6/2014	Kim	D24/185
D707,360 S *	6/2014	Kim	D24/185
D743,558 S *	11/2015	Kim	D24/158
D777,927 S *	1/2017	Choudhary	D24/167
2017/0281126 A1 *	10/2017	Meurer	A61B 8/4405

* cited by examiner

Primary Examiner — Anhdao Doan
Assistant Examiner — Mary Shannon Malley
(74) *Attorney, Agent, or Firm* — McCoy Russell LLP

(57) **CLAIM**

The ornamental design for a monitor and cabinet in combination, as shown and described.

DESCRIPTION

FIG. 1 is a front perspective view of a monitor and cabinet in combination according to the present invention.

FIG. 2 is a front view of the monitor and cabinet in combination of FIG. 1.

FIG. 3 is a back view of the monitor and cabinet in combination of FIG. 1.

FIG. 4 is a left side view of the monitor and cabinet in combination of FIG. 1.

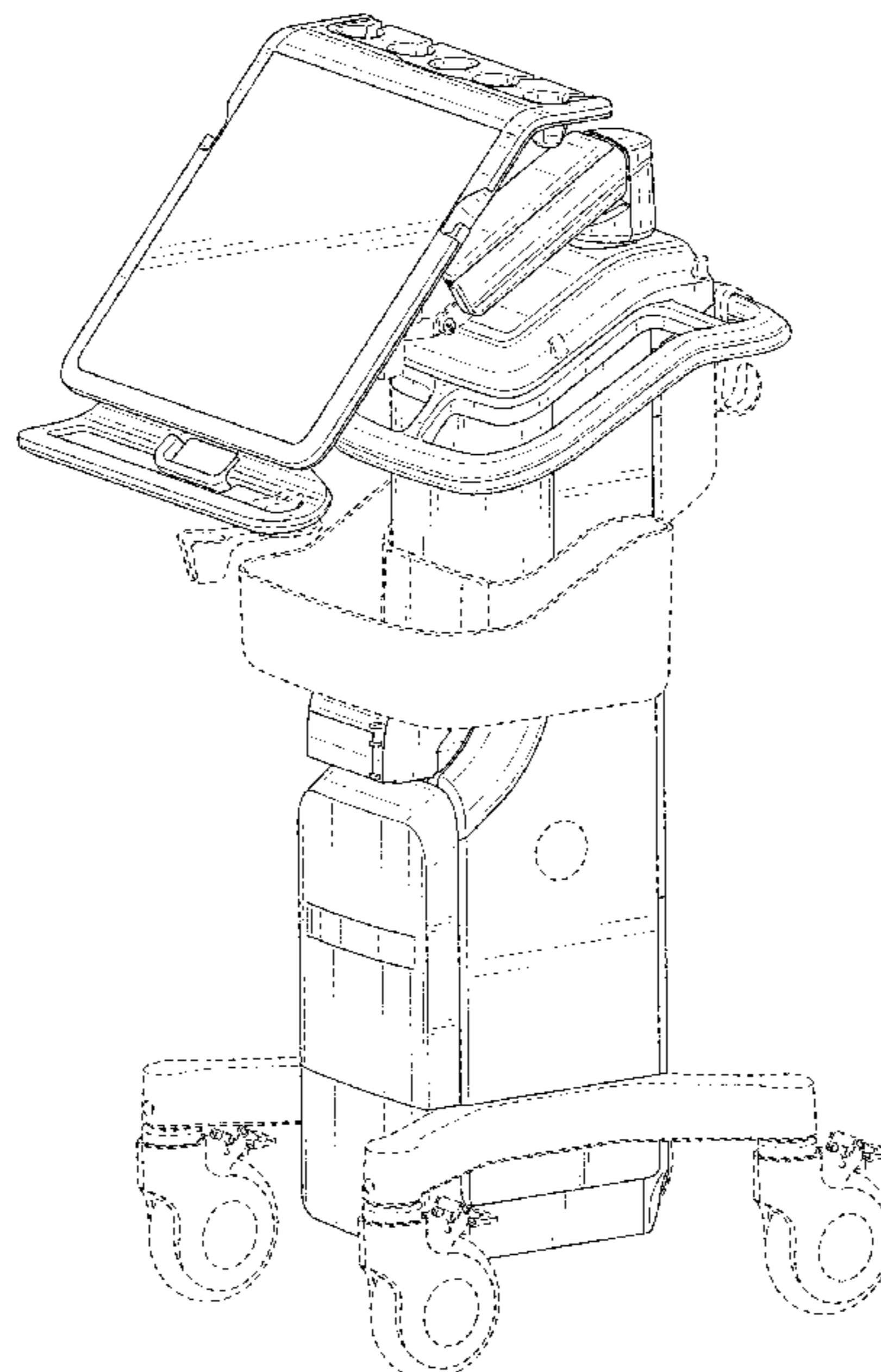
FIG. 5 is a right side view of the monitor and cabinet in combination of FIG. 1.

FIG. 6 is a top view of the monitor and cabinet in combination of FIG. 1; and,

FIG. 7 is a bottom view for the monitor and cabinet in combination of FIG. 1.

The broken lines in FIGS 1-7 show portions of the monitor and cabinet in combination that form no part of the claimed design.

1 Claim, 7 Drawing Sheets



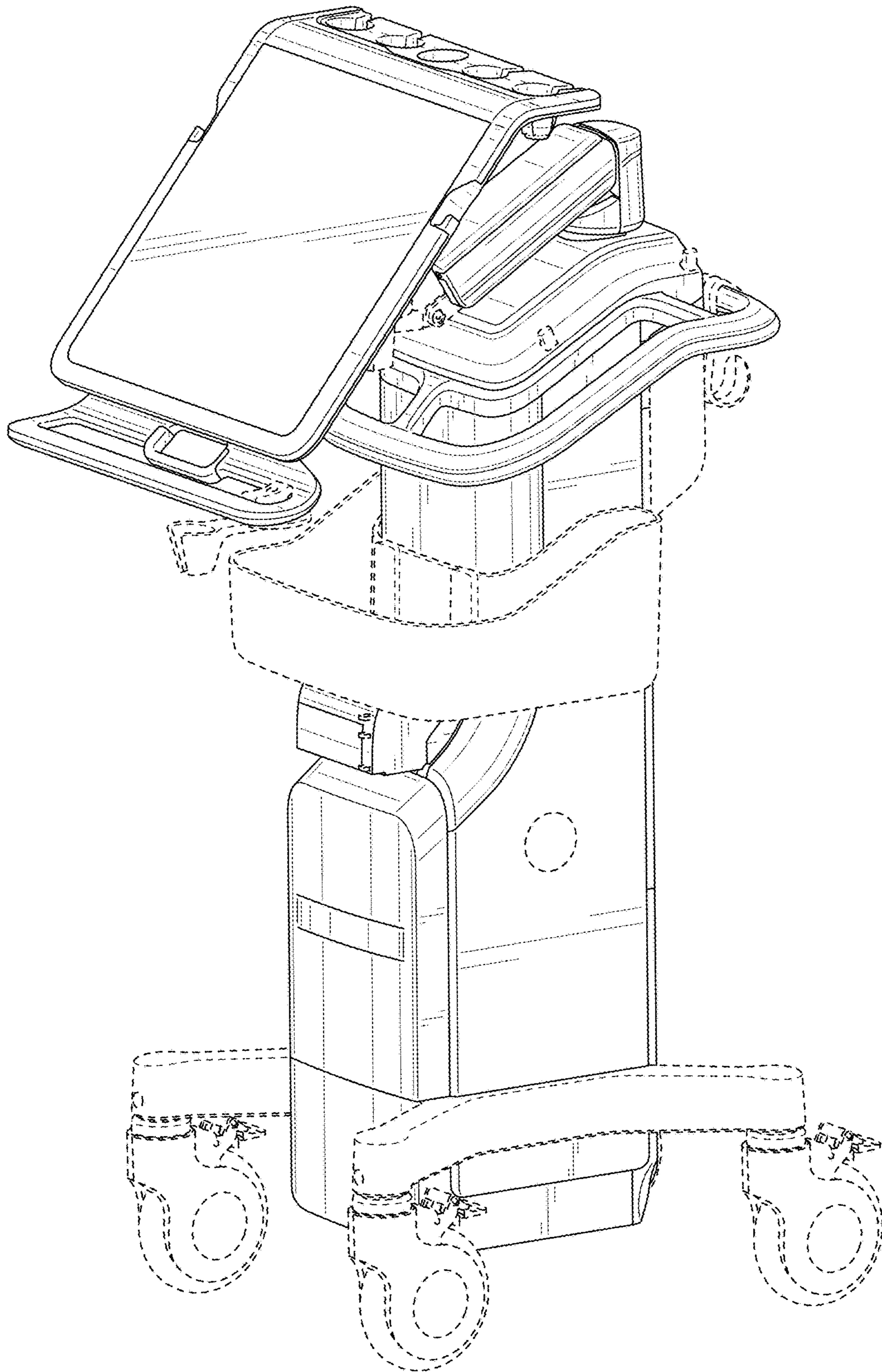


FIG. 1

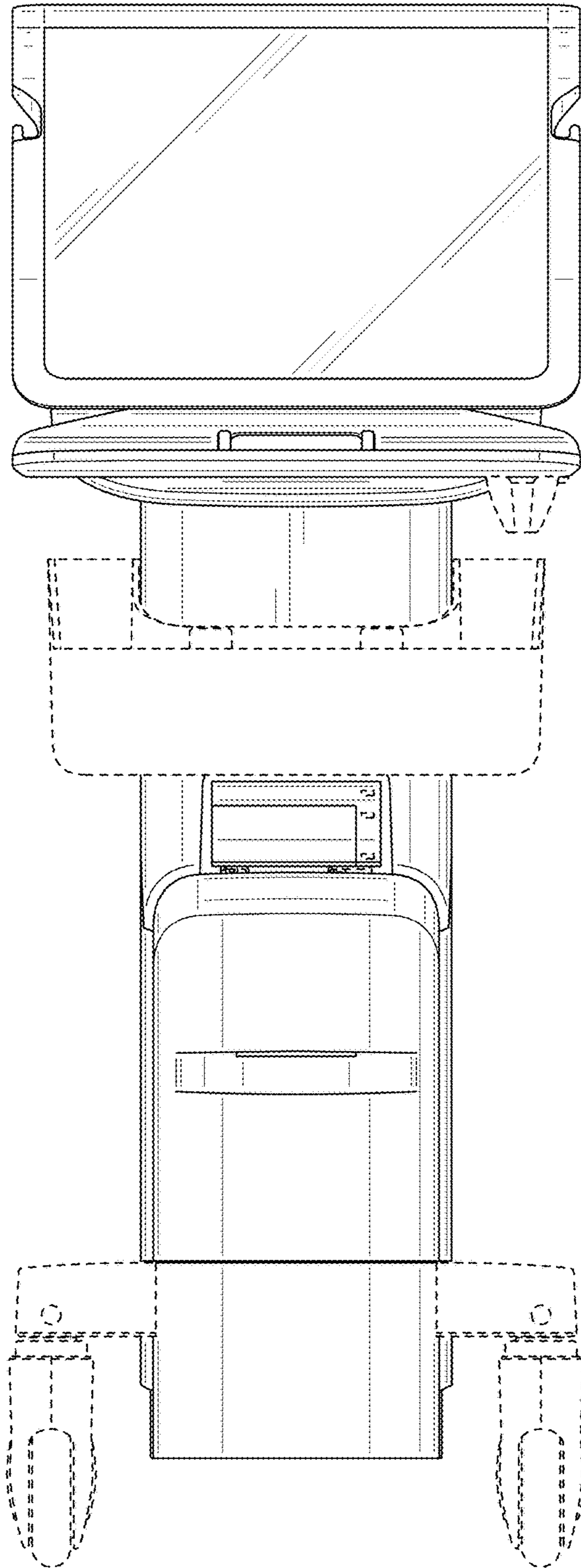


FIG. 2

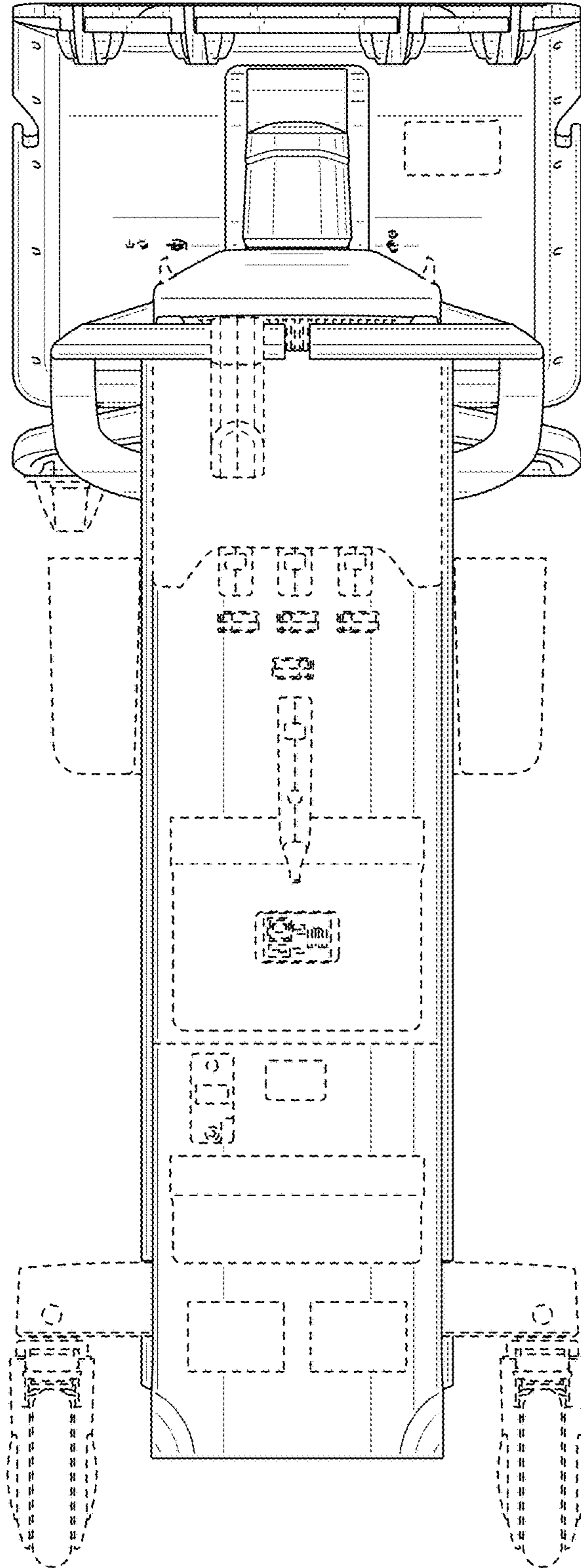


FIG. 3

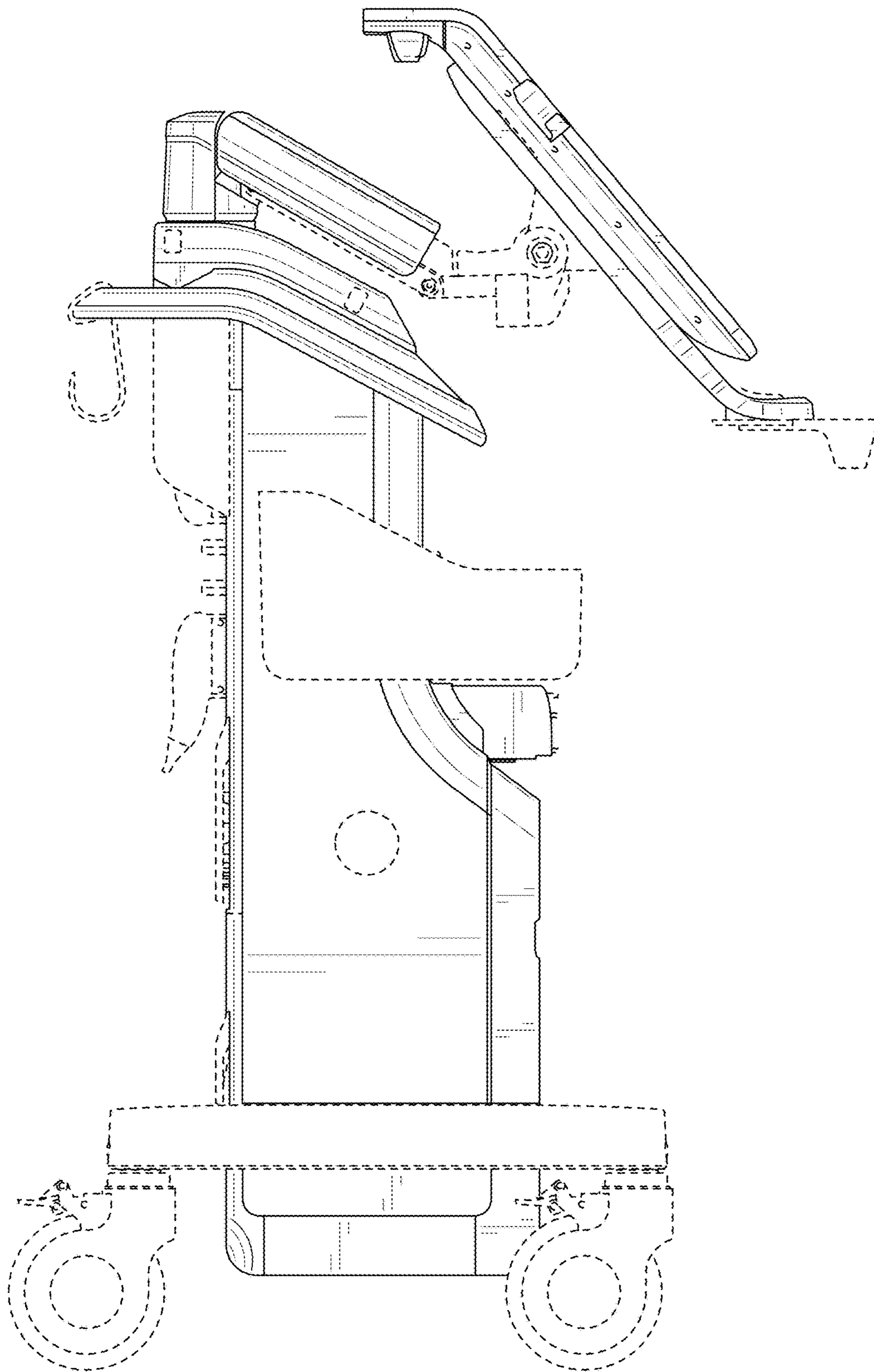


FIG. 4

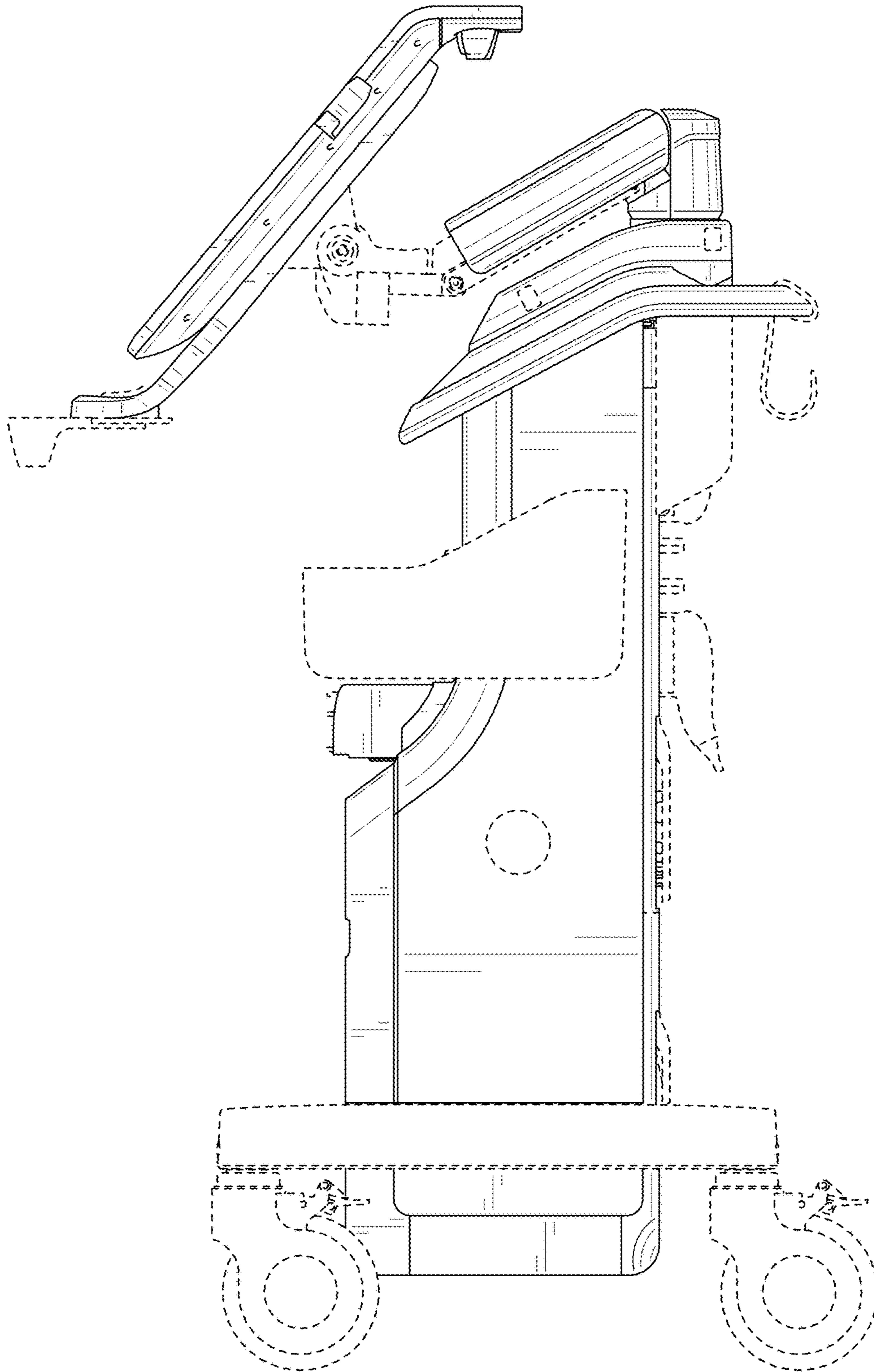


FIG. 5

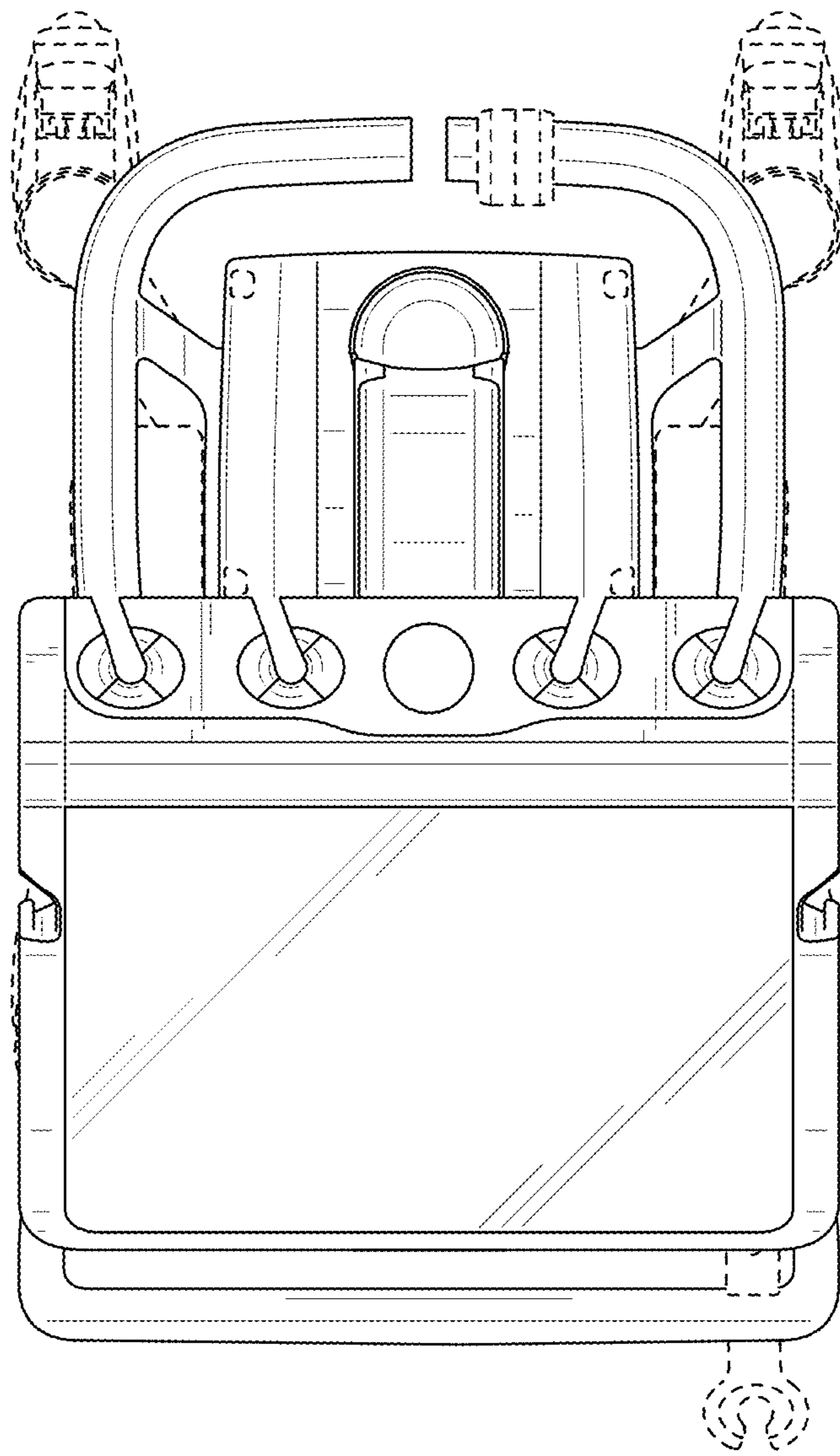


FIG. 6

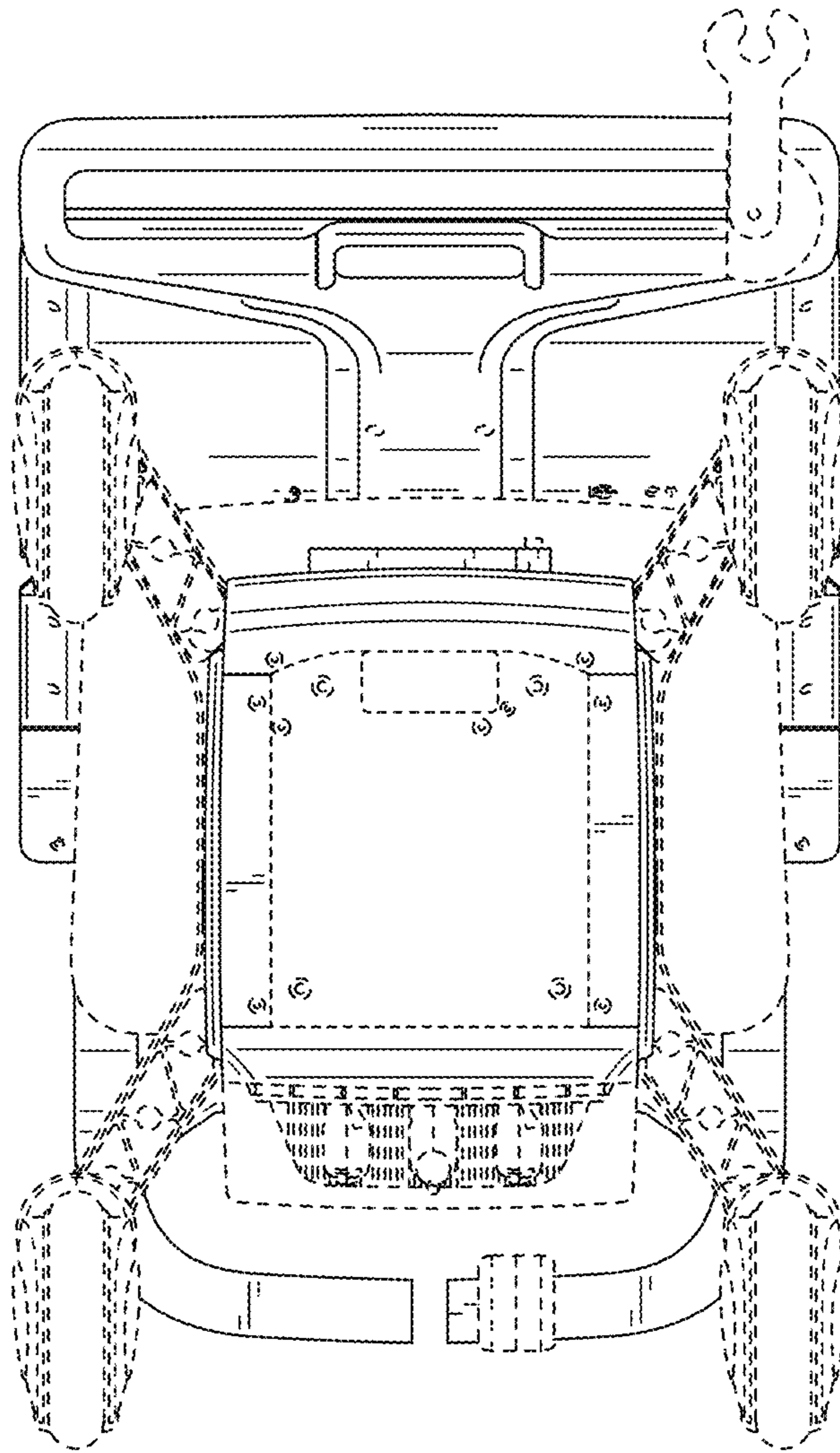


FIG. 7