



US00D836779S

(12) **United States Design Patent** (10) **Patent No.:** **US D836,779 S**
Alder et al. (45) **Date of Patent:** **** Dec. 25, 2018**

(54) **COMPACT MOBILE C ARM SYSTEM**

Primary Examiner — Anhdao Doan

(71) Applicant: **General Electric Company**,
Schenectady, NY (US)

(74) *Attorney, Agent, or Firm* — McCoy Russell LLP

(72) Inventors: **Samuel Lee Alder**, Stansbury Park, UT
(US); **Jundong Li**, Beijing (CN); **Yu
Zhang**, Beijing (CN); **Mingtao Liu**,
Beijing (CN); **Zhan Wang**, Beijing
(CN)

(57) **CLAIM**

The ornamental design for a compact mobile C arm system,
as shown and described.

(73) Assignee: **General Electric Company**,
Schenectady, NY (US)

DESCRIPTION

(**) Term: **15 Years**

FIG. 1 is a front right perspective view of a compact mobile
C arm system with a first environmental structure according
to the present invention.

(21) Appl. No.: **29/600,934**

FIG. 2 is a left side view of the compact mobile C arm
system of FIG. 1.

(22) Filed: **Apr. 17, 2017**

FIG. 3 is a right side view of the compact mobile C arm
system of FIG. 1.

(51) **LOC (11) Cl.** **24-01**

FIG. 4 is a front view of the compact mobile C arm system
of FIG. 1.

(52) **U.S. Cl.**
USPC **D24/158**

FIG. 5 is a rear view of the compact mobile C arm system
of FIG. 1.

(58) **Field of Classification Search**
USPC D24/158-161, 185, 186, 107; D15/199;
D14/451, 452

FIG. 6 is a top view of the compact mobile C arm system of
FIG. 1.

(Continued)

FIG. 7 is a bottom view of the compact mobile C arm system
of FIG. 1.

(56) **References Cited**

FIG. 8 is a front right perspective view of the compact
mobile C arm system with a second environmental structure.

U.S. PATENT DOCUMENTS

5,627,873 A 5/1997 Hanover et al.
6,142,667 A * 11/2000 Pattee A61B 6/4405
378/197

FIG. 9 is a left side view of the compact mobile C arm
system of FIG. 8.

(Continued)

FIG. 10 is a right side view the compact mobile C arm
system of FIG. 8.

OTHER PUBLICATIONS

“Compact design. Clinical versatility. OEC Fluorostar* 7900 Digi-
tal Mobile C-arm,” GE Healthcare Brochure, Available Online at
www3.gehealthcare.com.sg/en-GB/Products/Categories/Surgical_Imaging/Pain_Management/OEC_Fluorostar_7900, Jul. 10, 2012,
14 pages.

FIG. 11 is a front view of the compact mobile C arm system
of FIG. 8.

FIG. 12 is a rear view of the compact mobile C arm system
of FIG. 8.

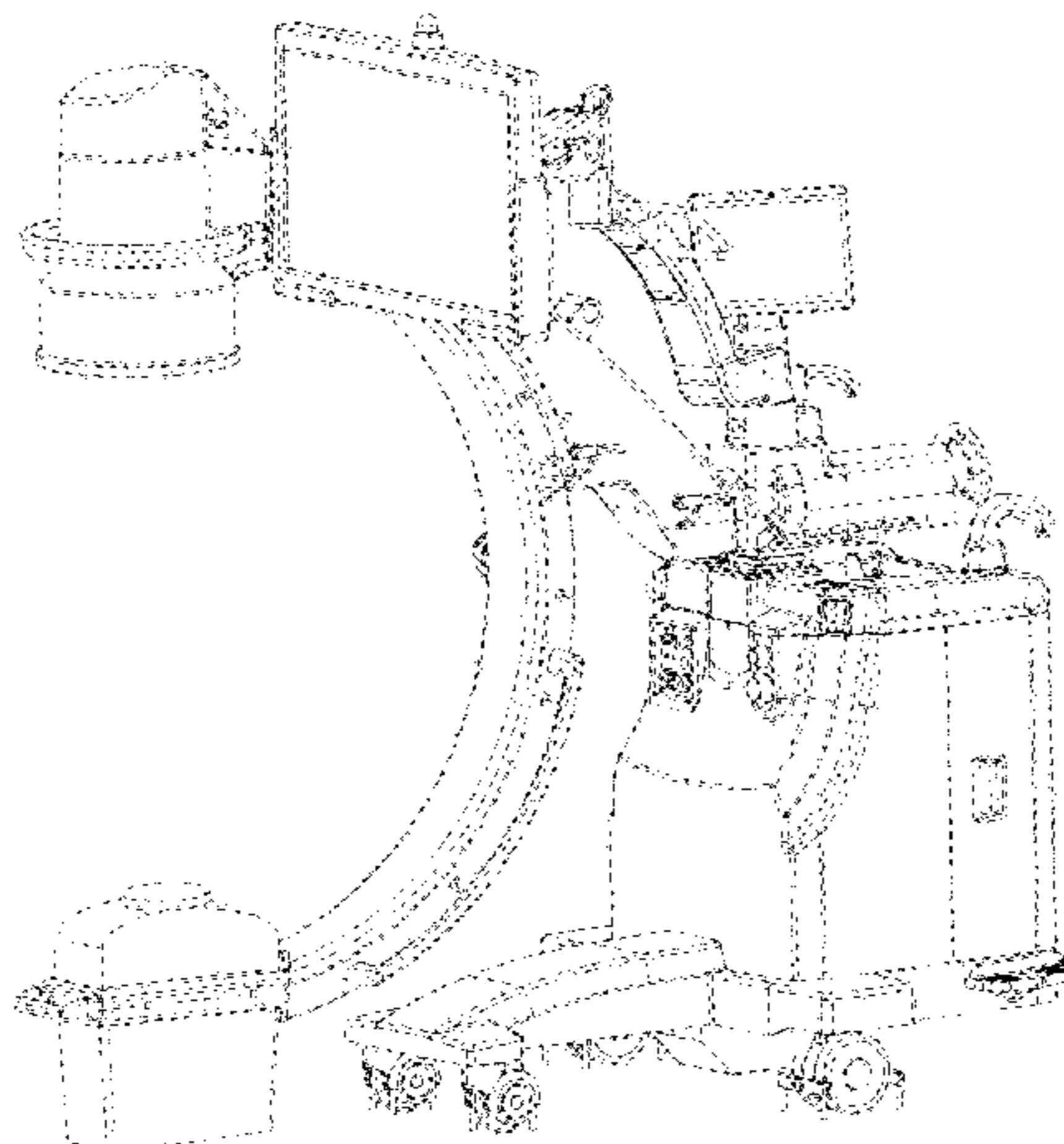
FIG. 13 is a top view of the compact mobile C arm system
of FIG. 8; and,

FIG. 14 is a bottom view of the compact mobile C arm
system of FIG. 8.

The broken lines in FIGS. 1-14 are included for the purpose
of illustrating environmental structure and form no part of
the claimed design.

(Continued)

1 Claim, 14 Drawing Sheets



(58) **Field of Classification Search**

CPC .. A61B 5/05; A61B 5/055; A61B 6/03; A61B
6/035; A61B 6/4405; A61B 6/4411; A61B
6/4435; A61B 6/4441; A61B 6/4447
See application file for complete search history.

(56) **References Cited**

U.S. PATENT DOCUMENTS

6,256,374	B1	7/2001	Tomasetti et al.	
D624,186	S *	9/2010	Youn	D24/158
RE42,091	E	2/2011	Moscovitch et al.	
D715,440	S *	10/2014	Kim	D24/158
8,931,748	B2	1/2015	Bowman et al.	
D745,970	S *	12/2015	Lecuyer	D24/158
D748,799	S *	2/2016	Ohmukai	D24/158
9,413,961	B2	8/2016	Welsh	
D807,373	S *	1/2018	Thetard	D14/452
D809,142	S *	1/2018	Lim	D24/158
D809,519	S *	2/2018	Jung	D14/452
2010/0239073	A1	9/2010	Eaves	
2015/0055760	A1 *	2/2015	Barker	A61B 6/4405 378/197
2017/0251992	A1 *	9/2017	Jang	A61B 6/541

OTHER PUBLICATIONS

“Ziehm Solo Superb imaging meets versatile design,” Ziehm Imag-
ing Brochure, Available Online at www.ziehm.com/us/products/ziehm-solo, Jun. 2016, 8 pages.

* cited by examiner

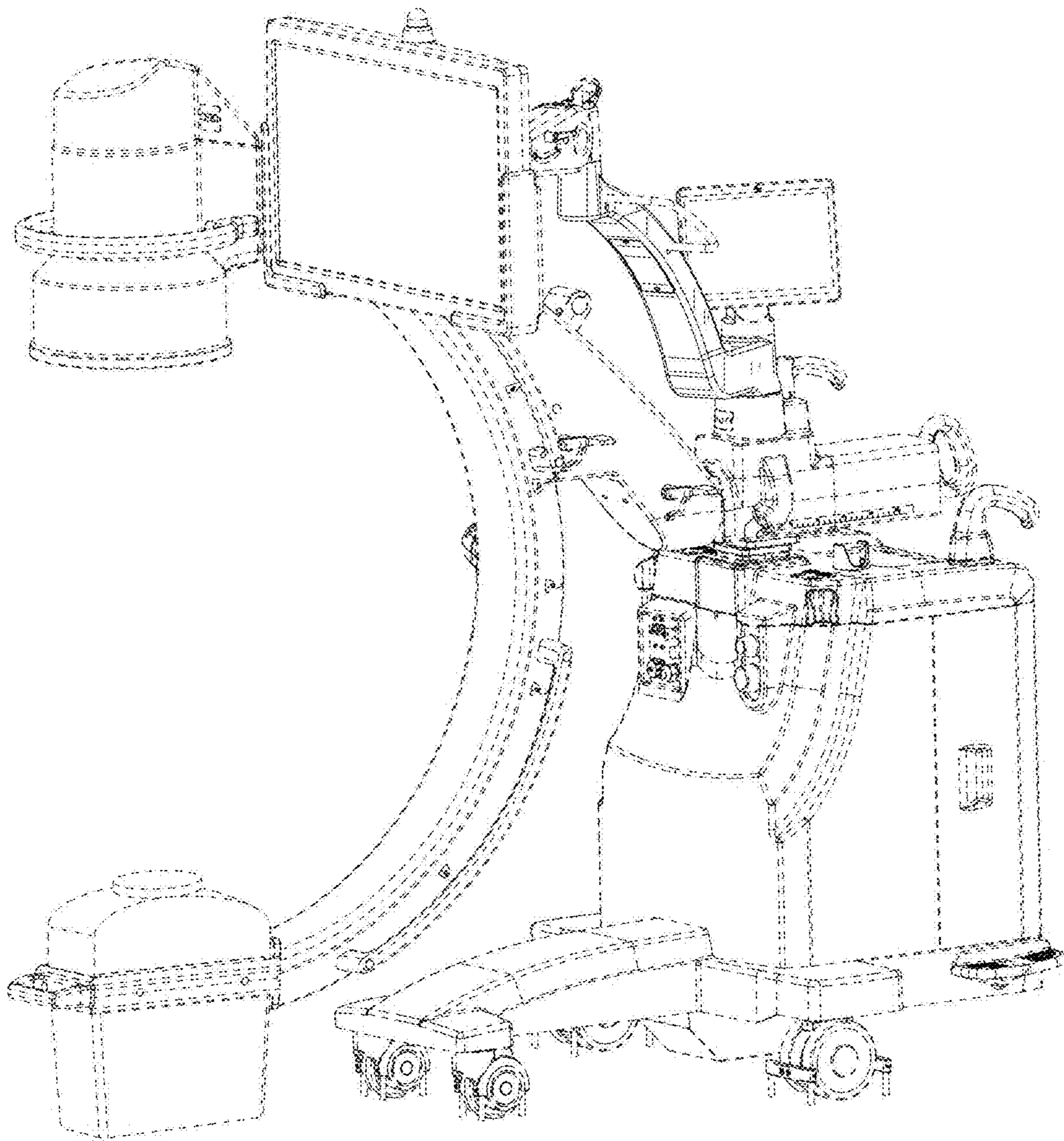


FIG. 1

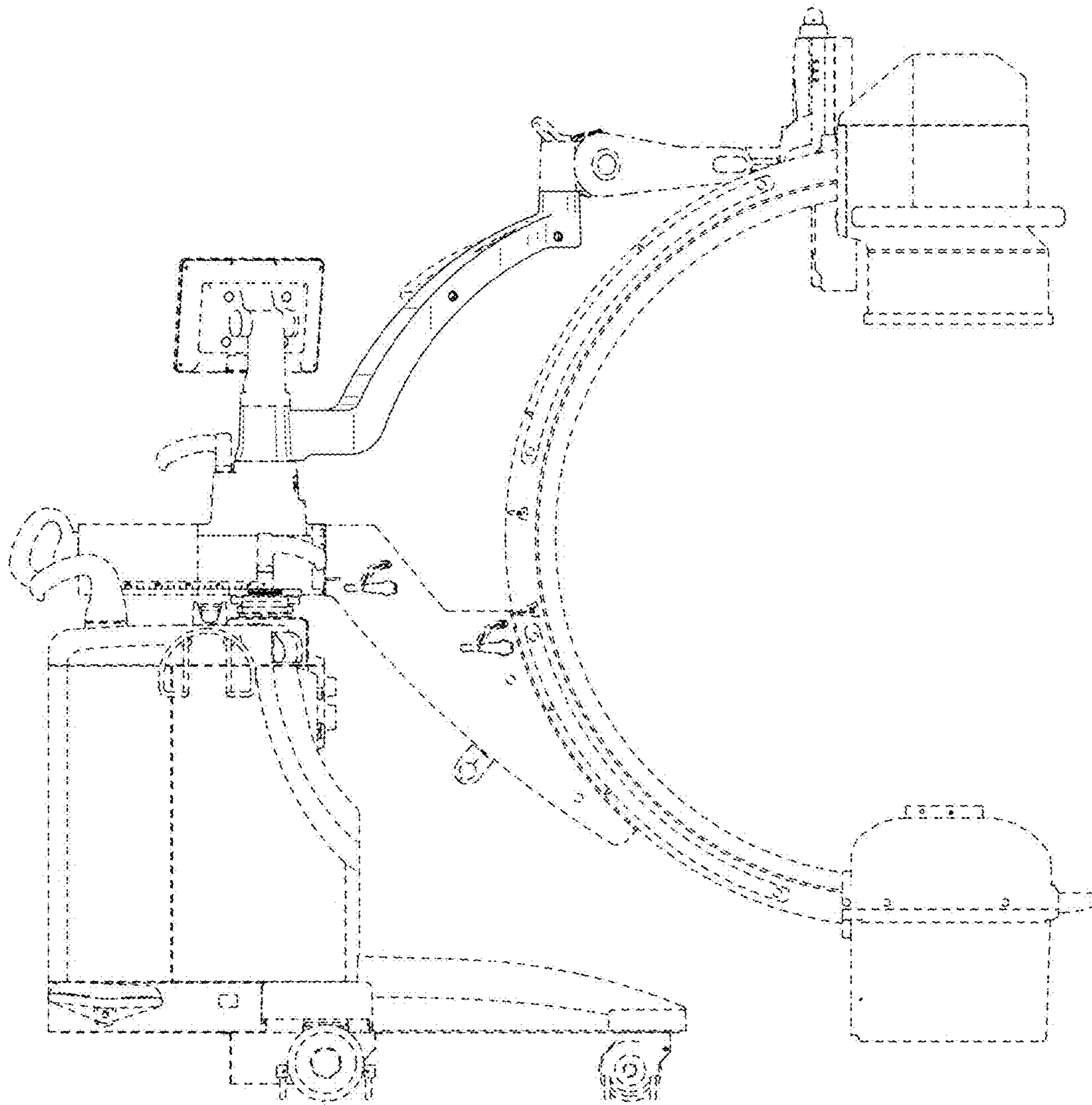


FIG. 2

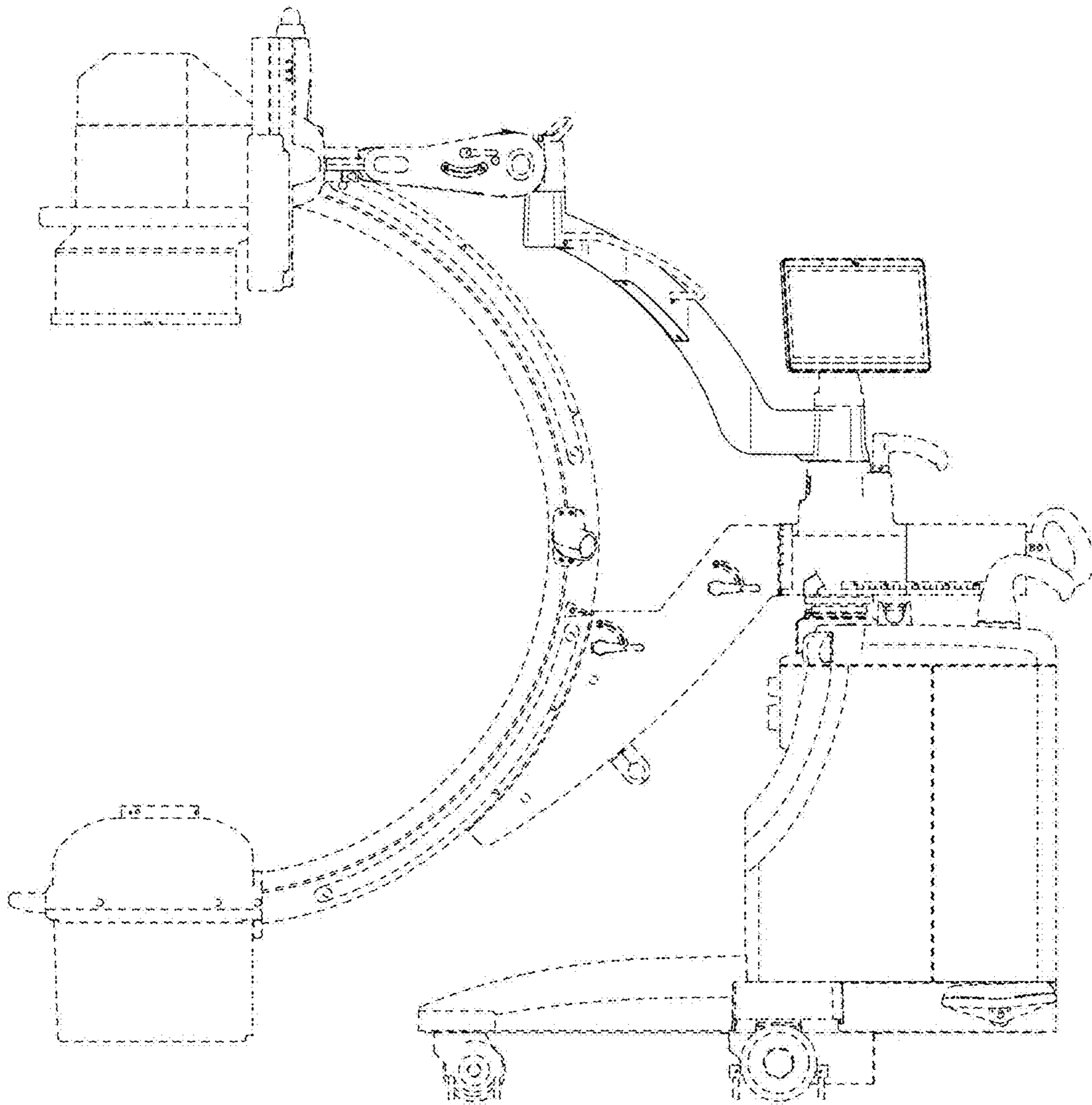


FIG. 3

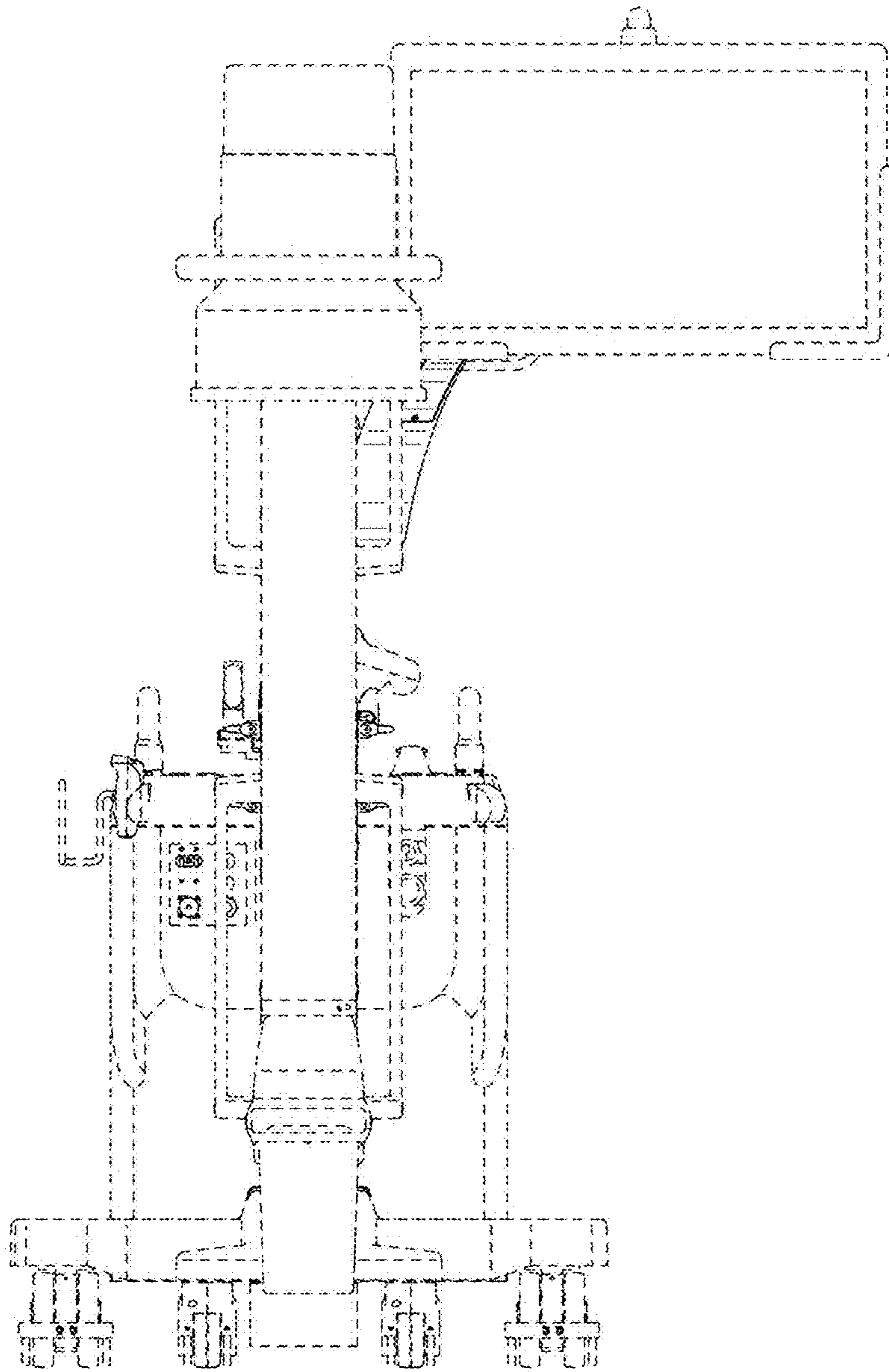


FIG. 4

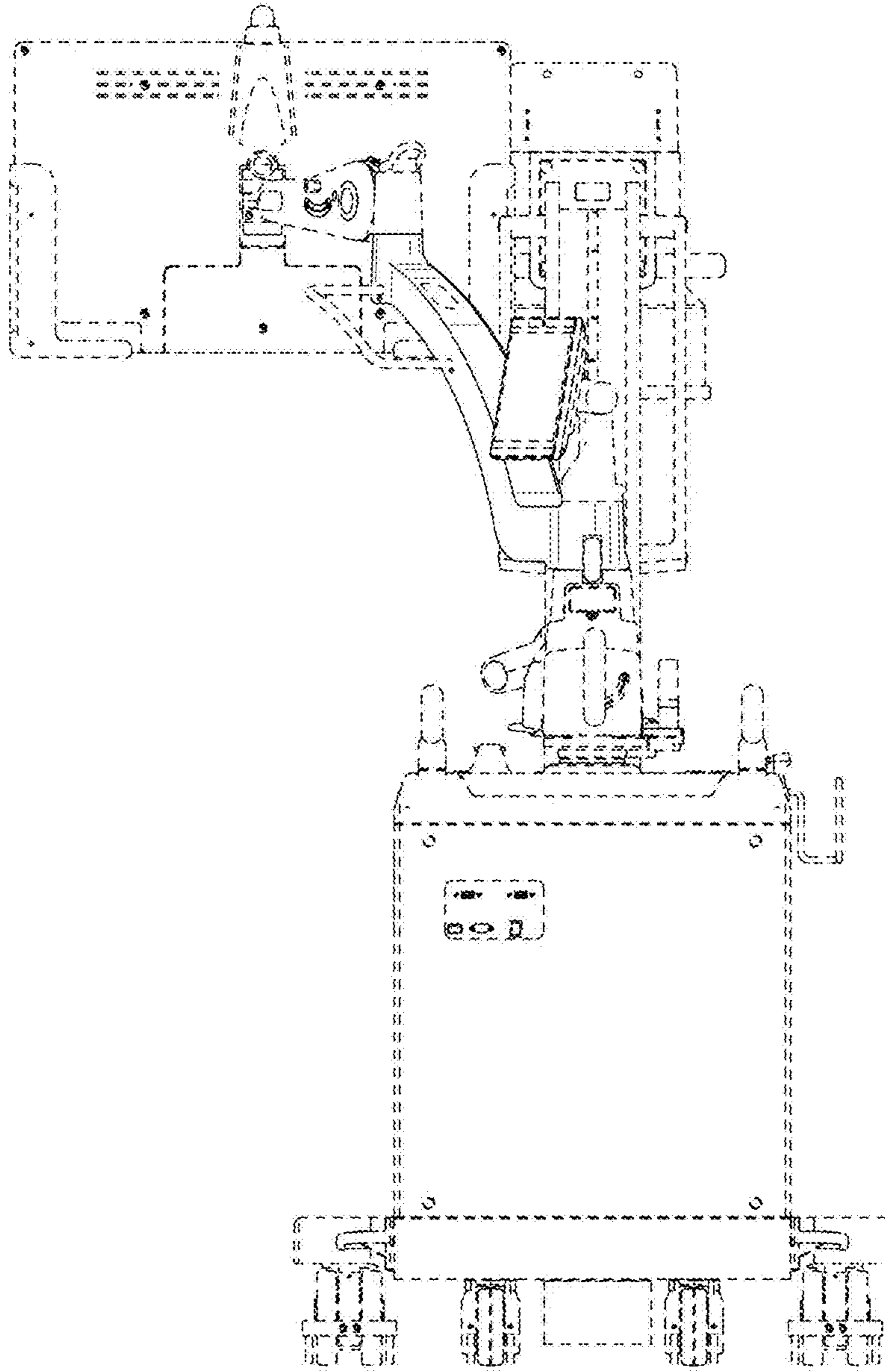


FIG. 5

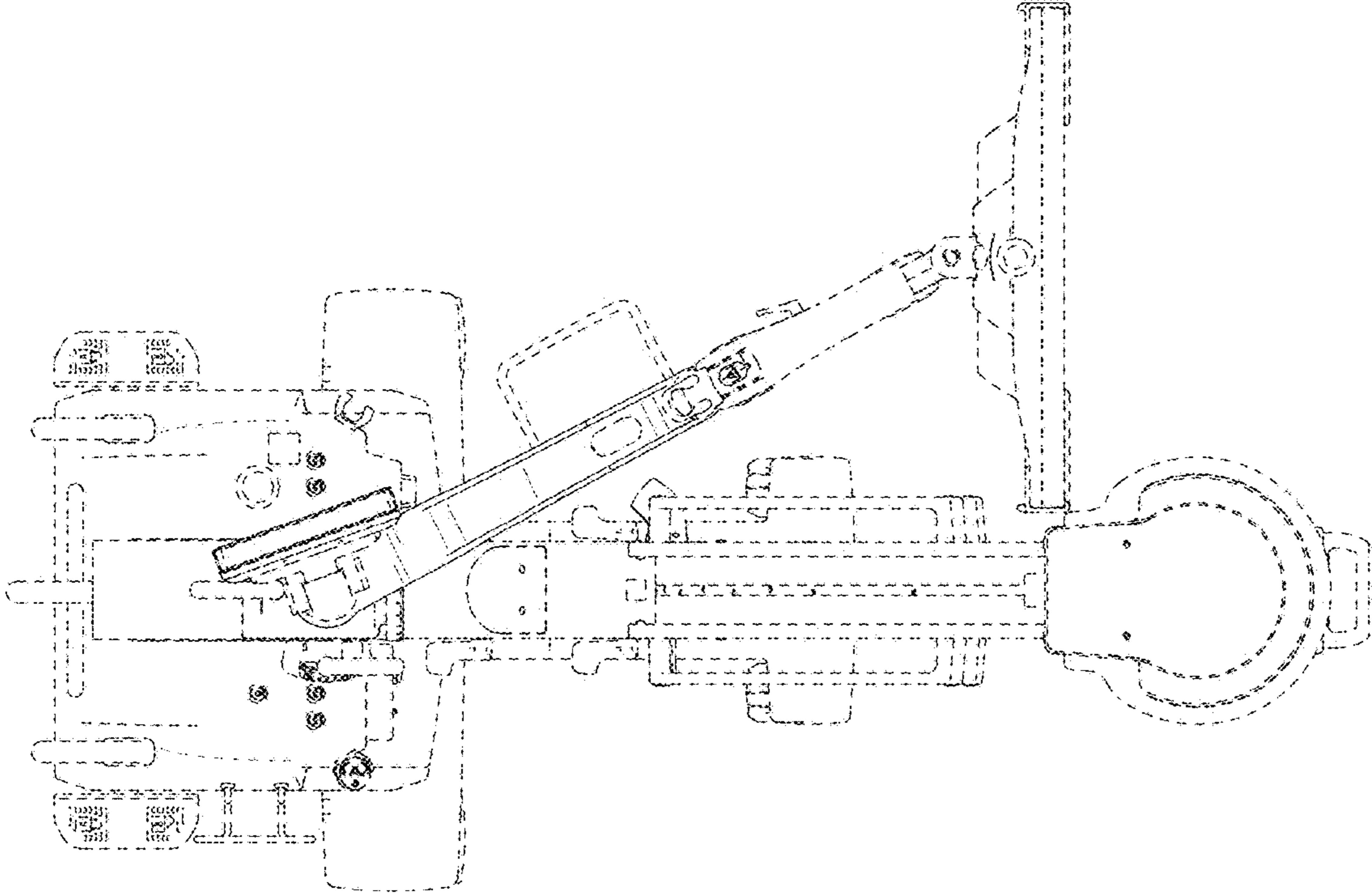


FIG. 6

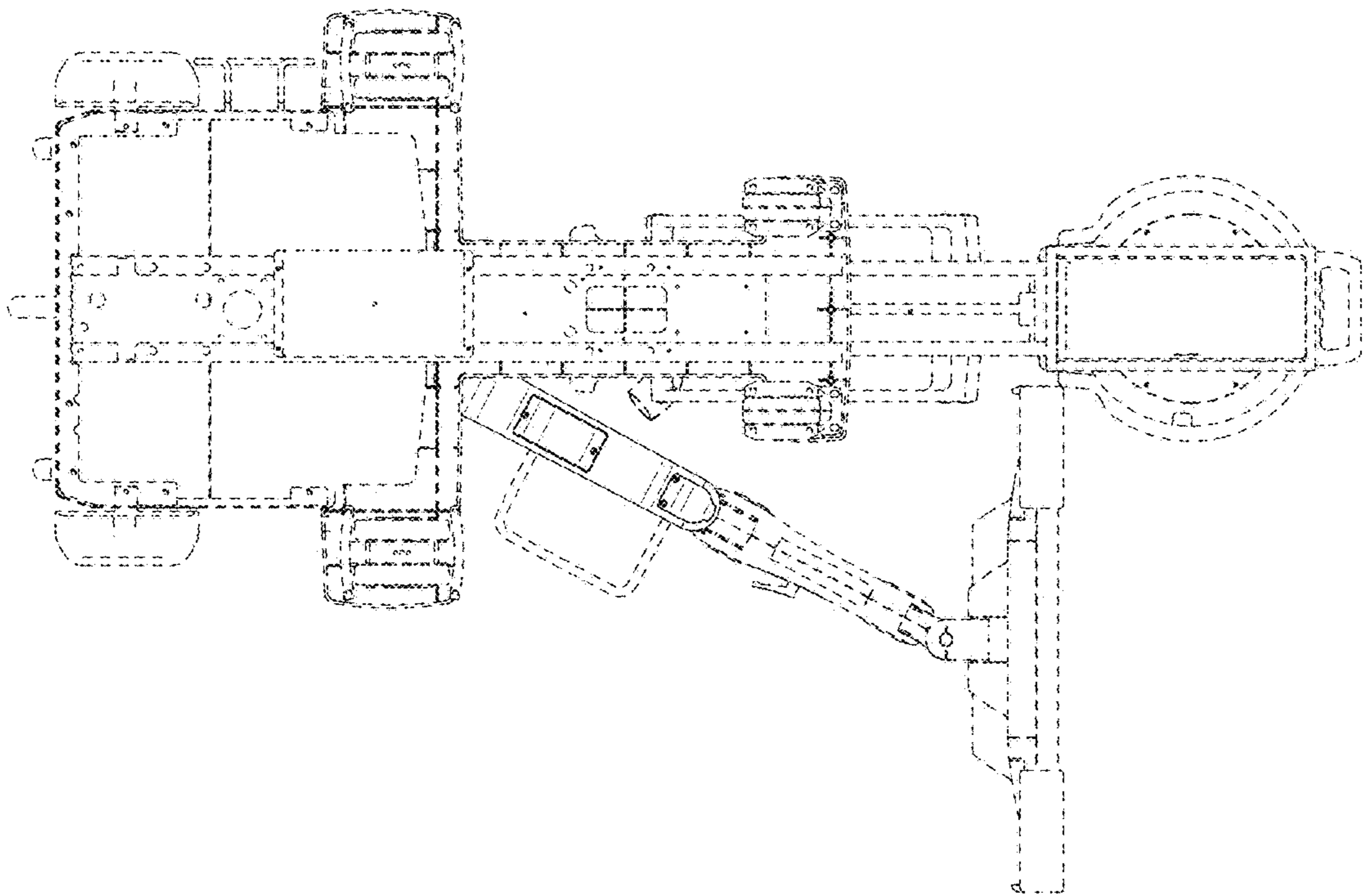


FIG. 7

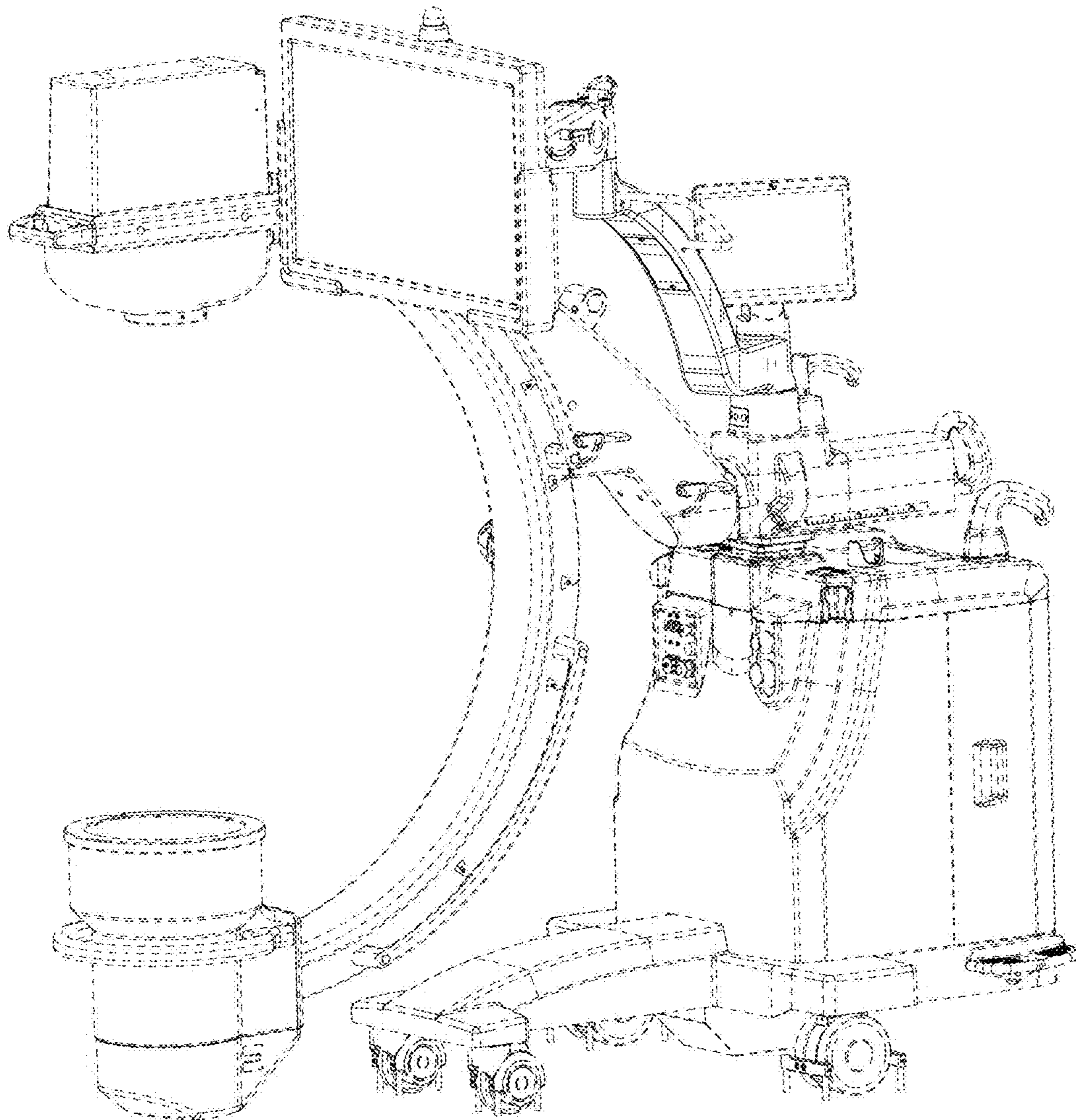


FIG. 8

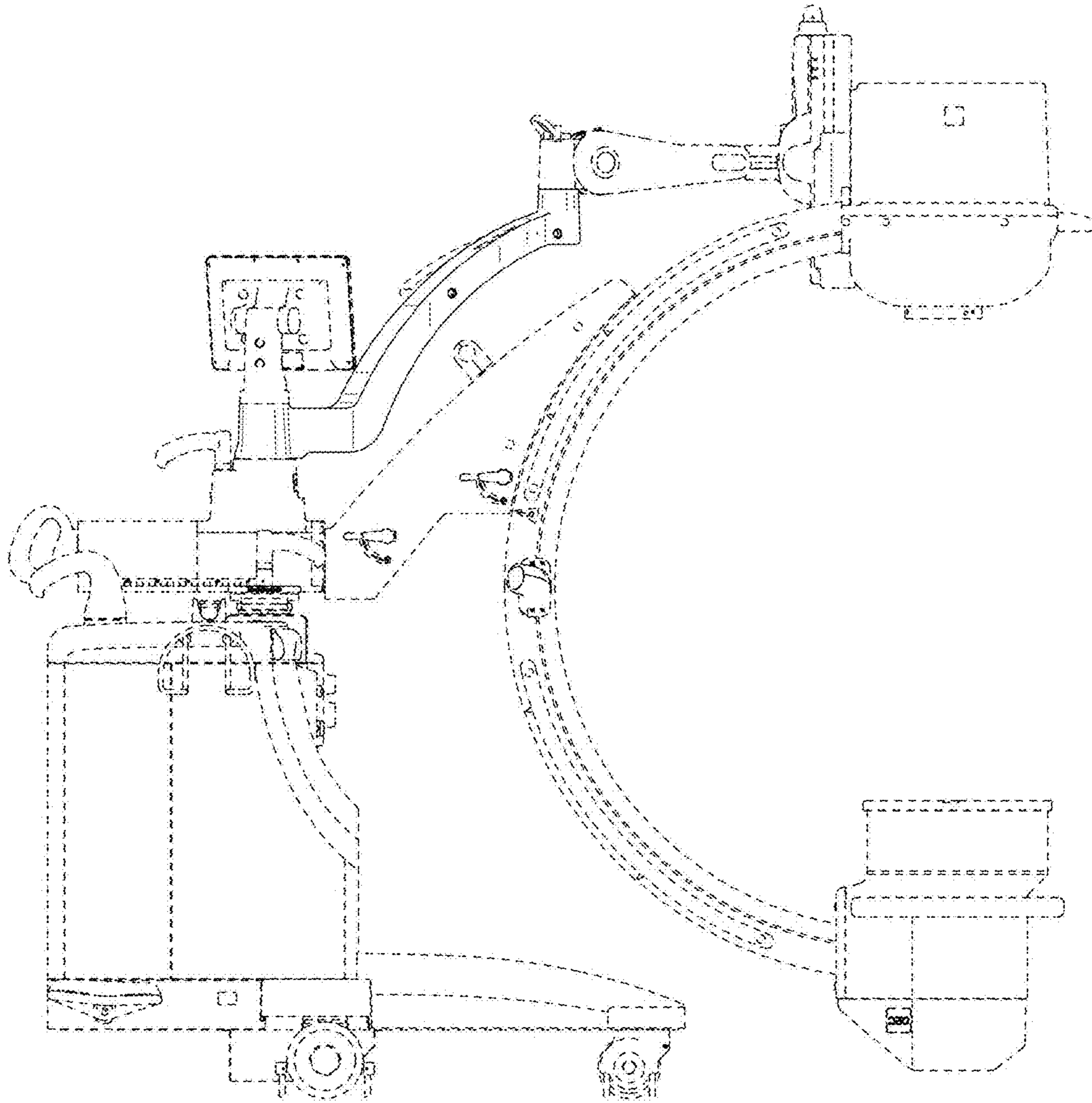


FIG. 9

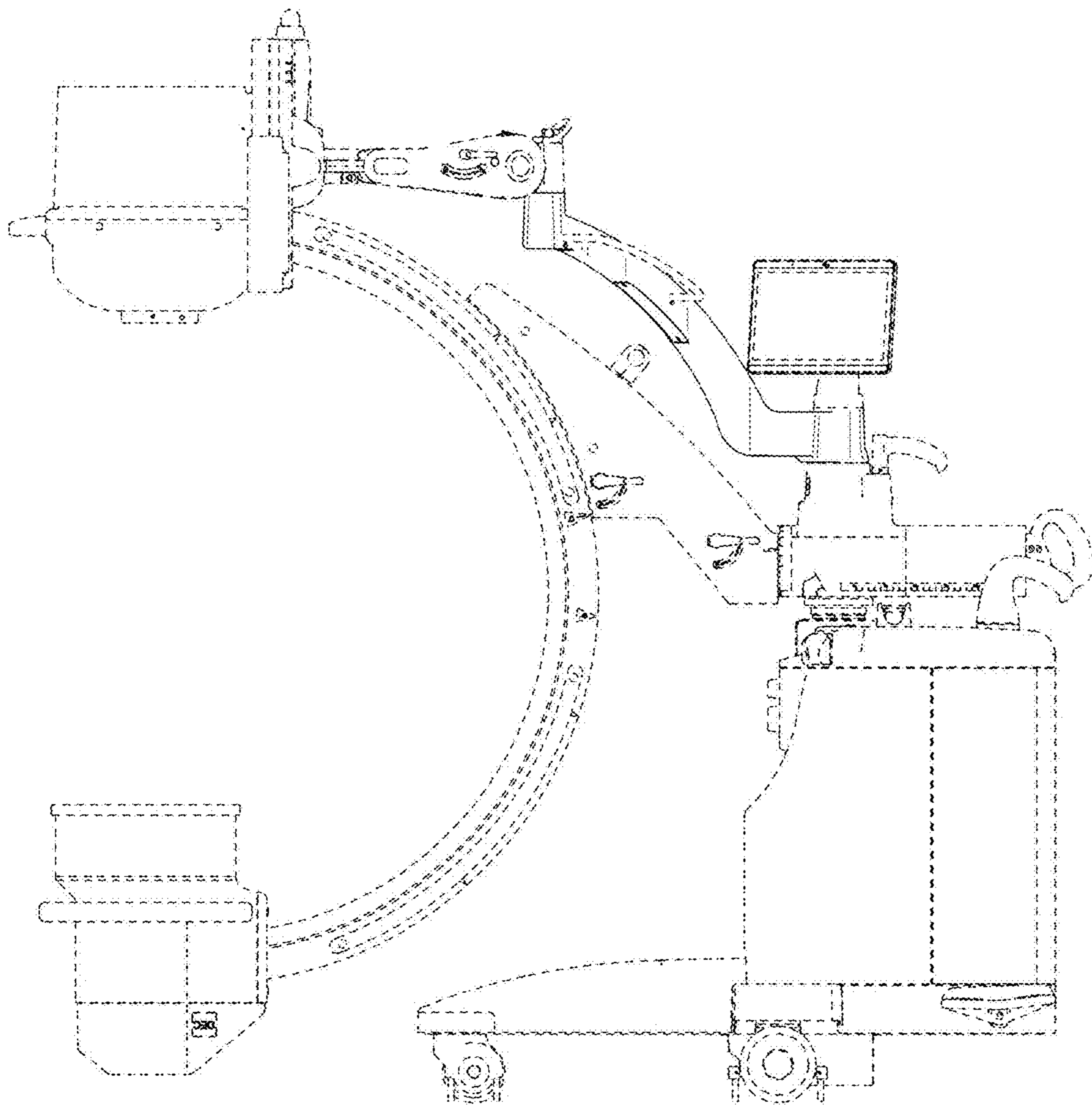


FIG. 10

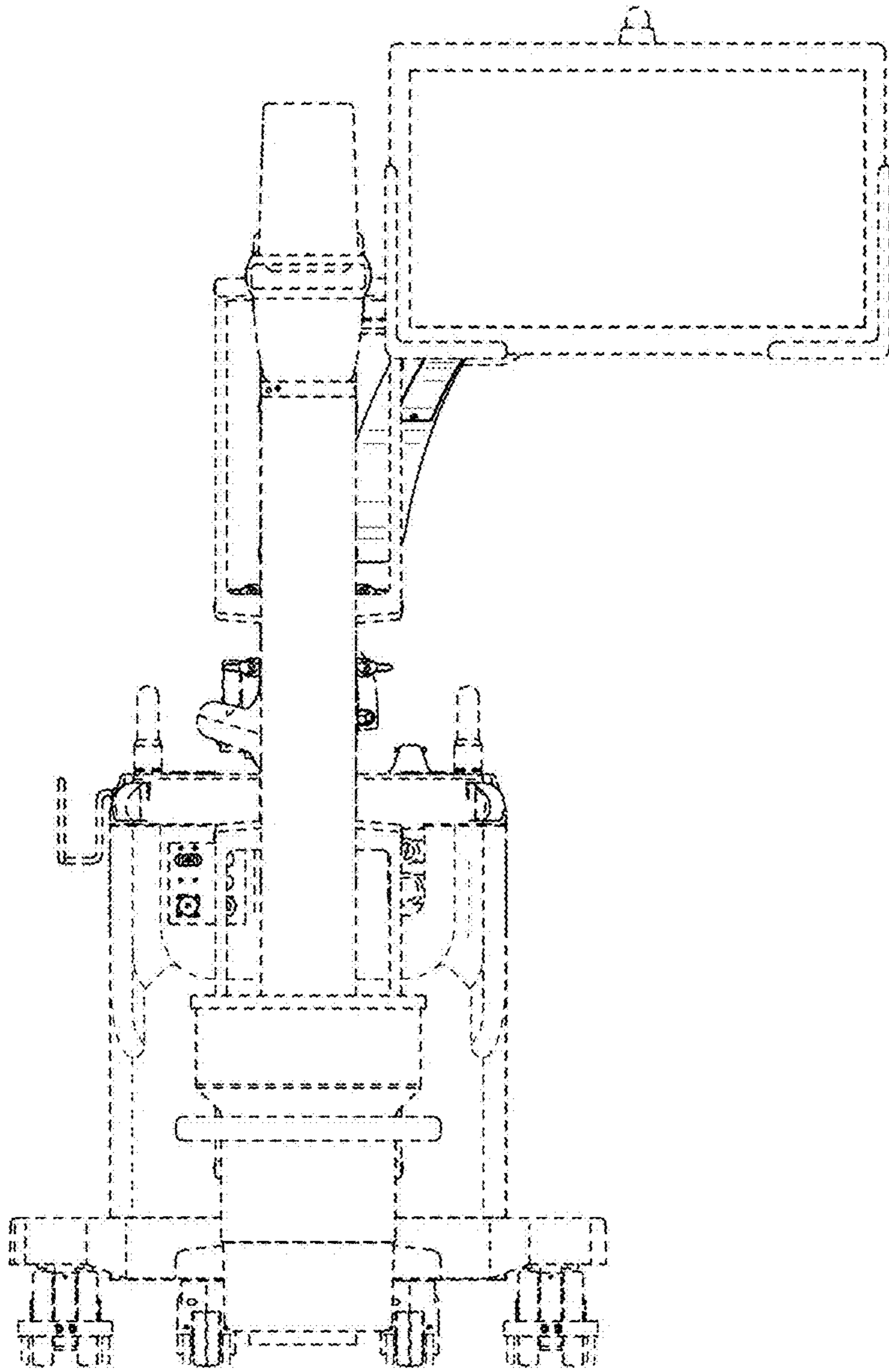


FIG. 11

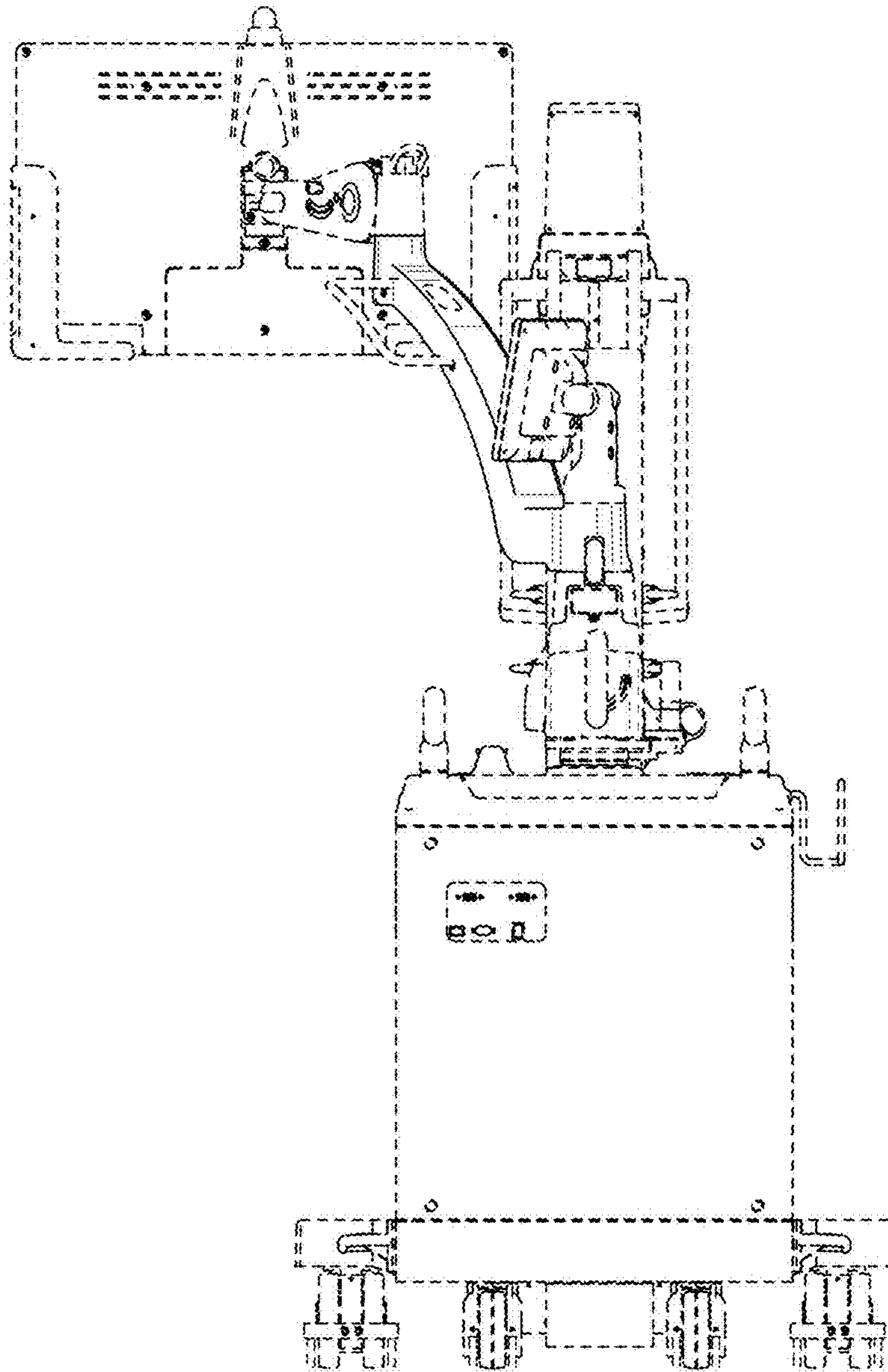


FIG. 12

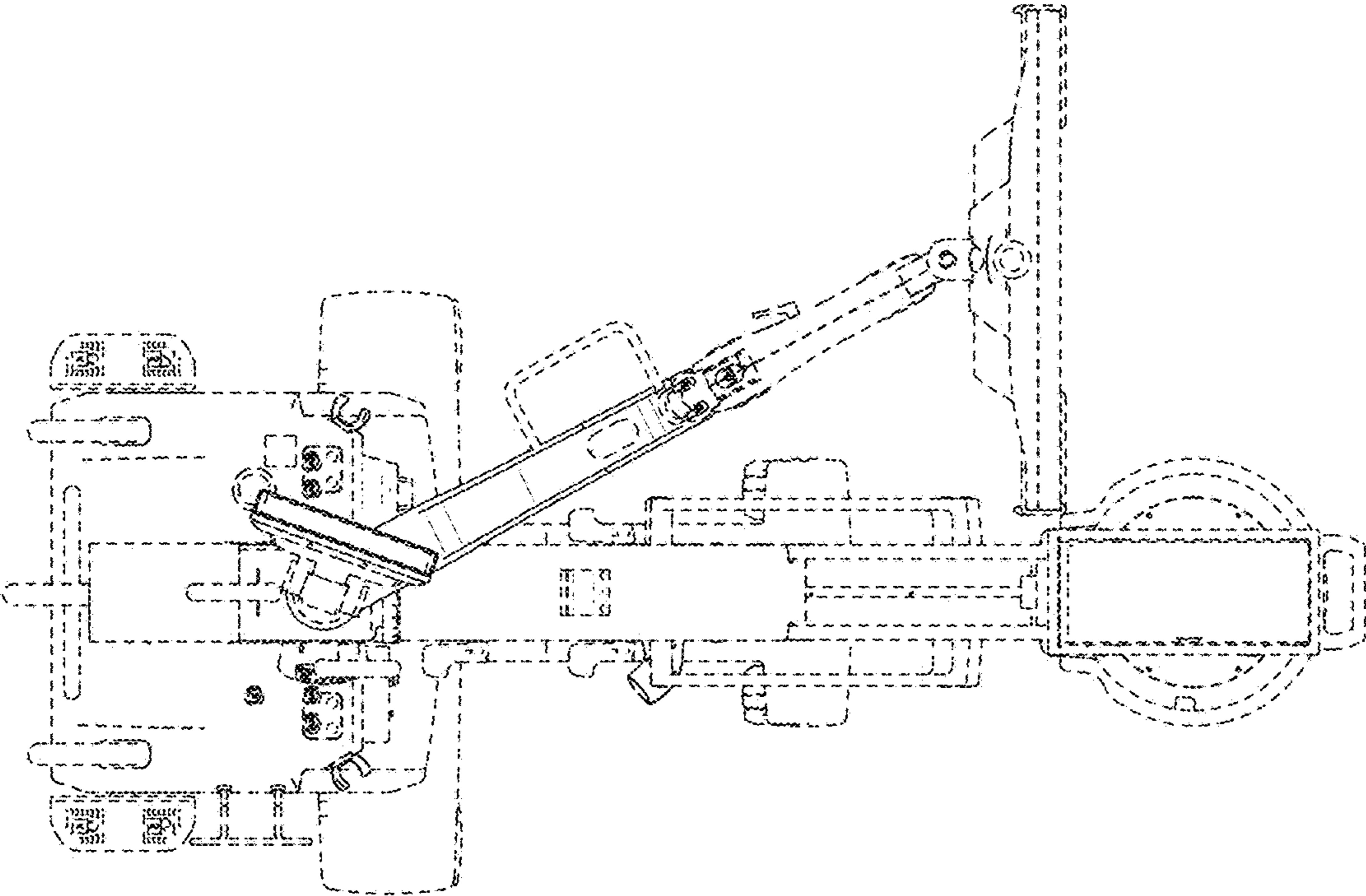


FIG. 13

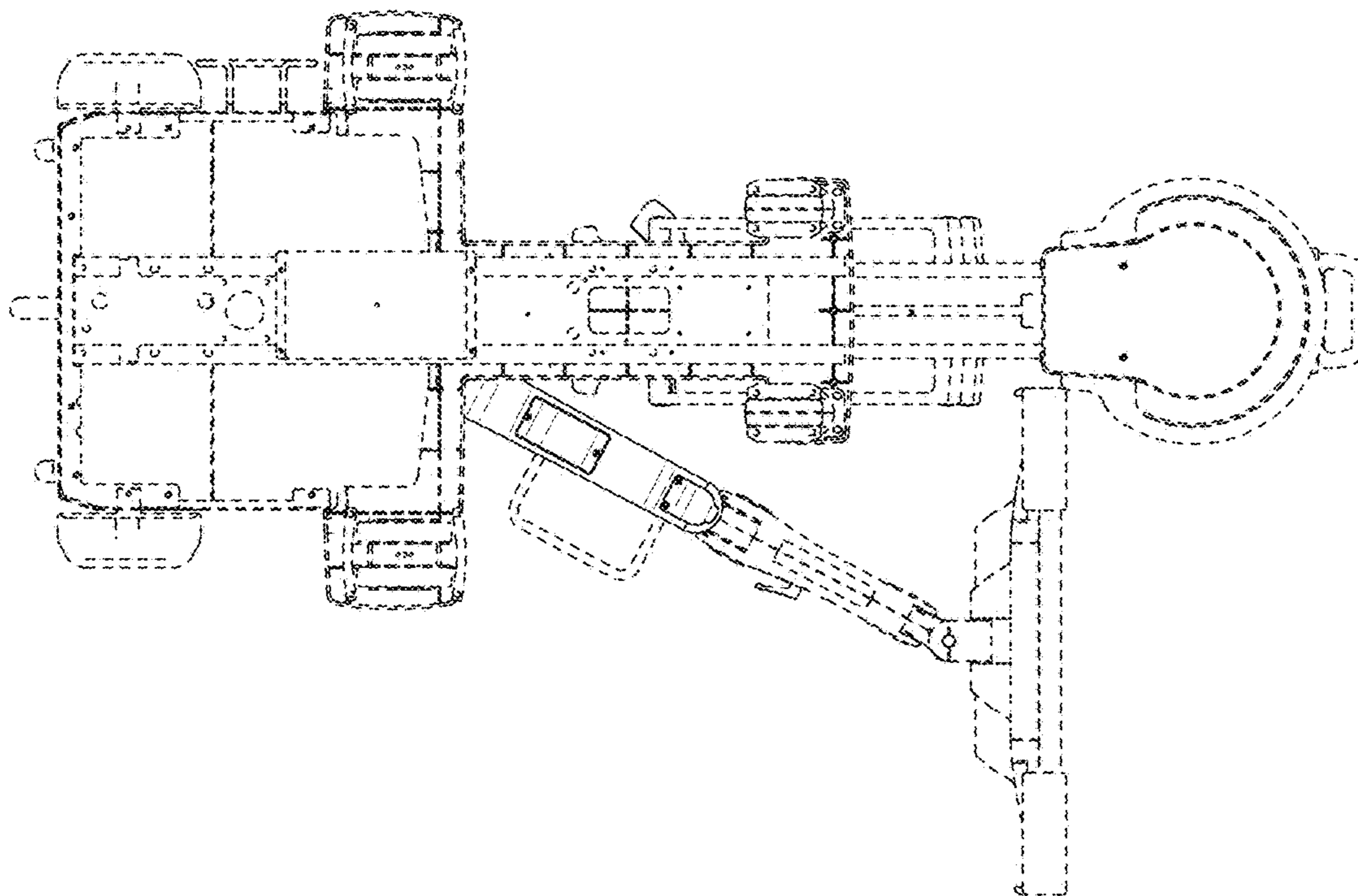


FIG. 14