



US00D836776S

(12) **United States Design Patent**
Tal

(10) **Patent No.:** **US D836,776 S**

(45) **Date of Patent:** **** Dec. 25, 2018**

(54) **INTRA-VAGINAL DEVICE FOR URINARY
BLADDER LEAK PREVENTION**

(71) Applicant: **GYNAMICS WOMEN'S HEALTH
LTD, Haifa (IL)**

(72) Inventor: **Tzachy Tal, Haifa (IL)**

(73) Assignee: **GYNAMICS WOMEN'S HEALTH
LTD., Haifa (IL)**

(**) Term: **15 Years**

(21) Appl. No.: **29/617,252**

(22) Filed: **Sep. 13, 2017**

(30) **Foreign Application Priority Data**

Mar. 13, 2017 (IL) 60112

(51) **LOC (11) Cl.** **24-02**

(52) **U.S. Cl.**
USPC **D24/141**

(58) **Field of Classification Search**
USPC D24/141, 107, 133, 211, 214
CPC A61H 15/00; A61F 2/0004; A61F 2/0009;
A61F 2/0022; A61F 2/0031; A61F
2/0036; A61F 2/005; A61F 5/48; A61F
6/06; A61F 6/08; A61F 6/12; Y10S
128/25

See application file for complete search history.

(56) **References Cited**

U.S. PATENT DOCUMENTS

D428,488 S * 7/2000 Bloch D24/141
D677,385 S * 3/2013 Takashima D24/141

8,926,493 B2 * 1/2015 Karapasha A61F 2/005
128/834
9,320,640 B2 * 4/2016 Durling A61F 2/005
D760,898 S * 7/2016 Xie D24/141
9,439,748 B2 * 9/2016 Durling A61F 2/005
2014/0000086 A1 * 1/2014 Avery, Jr. A61F 2/005
29/428

* cited by examiner

Primary Examiner — Wan Laymon

(74) *Attorney, Agent, or Firm* — The Roy Gross Law
Firm, LLC; Roy Gross

(57) **CLAIM**

The ornamental design for an intra-vaginal device for urinary bladder leak prevention, as shown and described.

DESCRIPTION

FIG. 1 is a front isometric view of an intra-vaginal device for urinary bladder leak prevention in accordance with the new design;
FIG. 2 is a rear perspective view thereof;
FIG. 3 is a side view thereof;
FIG. 4 is a front view thereof; and,
FIG. 5 is a rear view thereof.
The broken lines shown in FIGS. 1-5 are directed to environment and are for illustrative purposes only; the broken lines form no part of the claimed design.

1 Claim, 2 Drawing Sheets

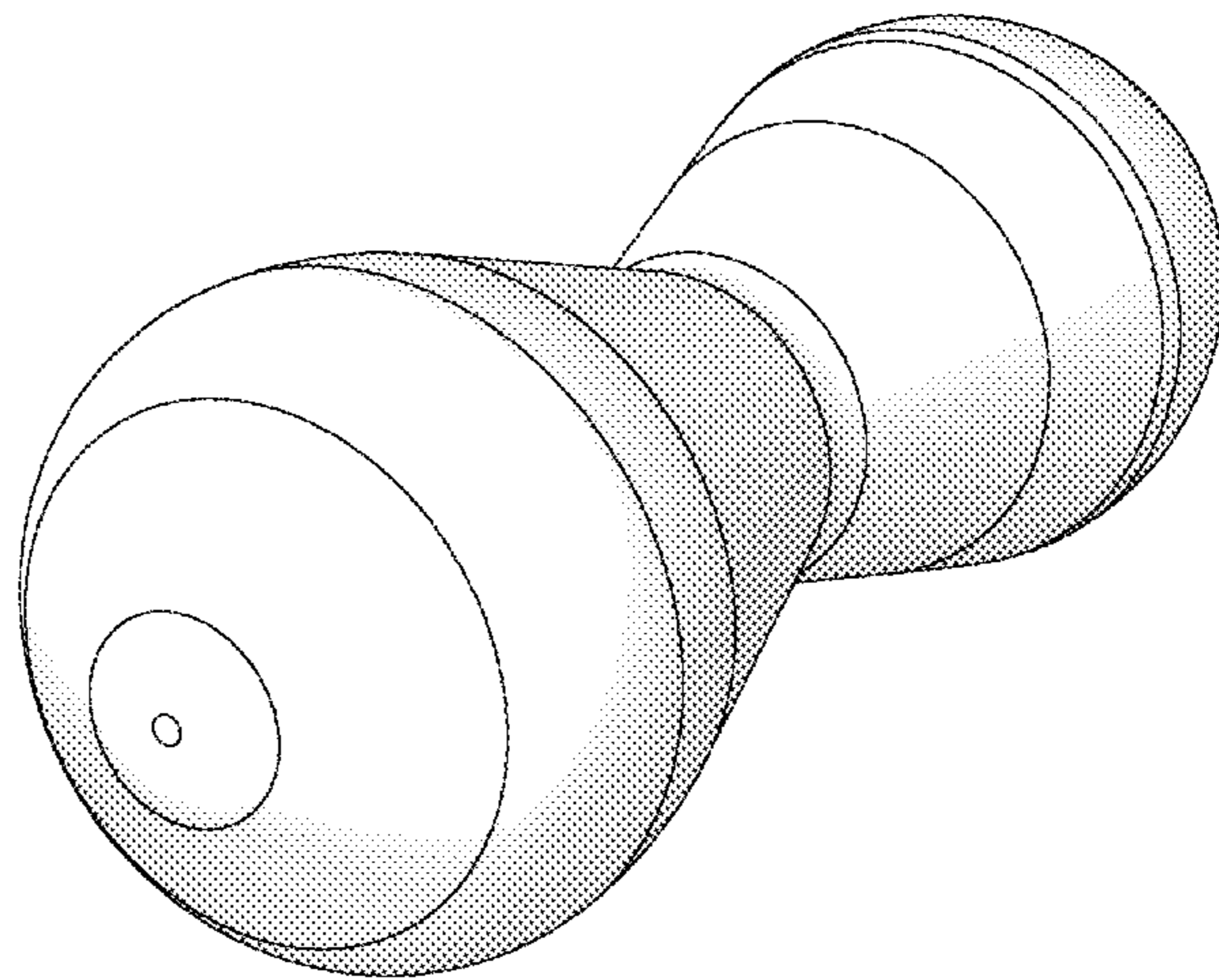
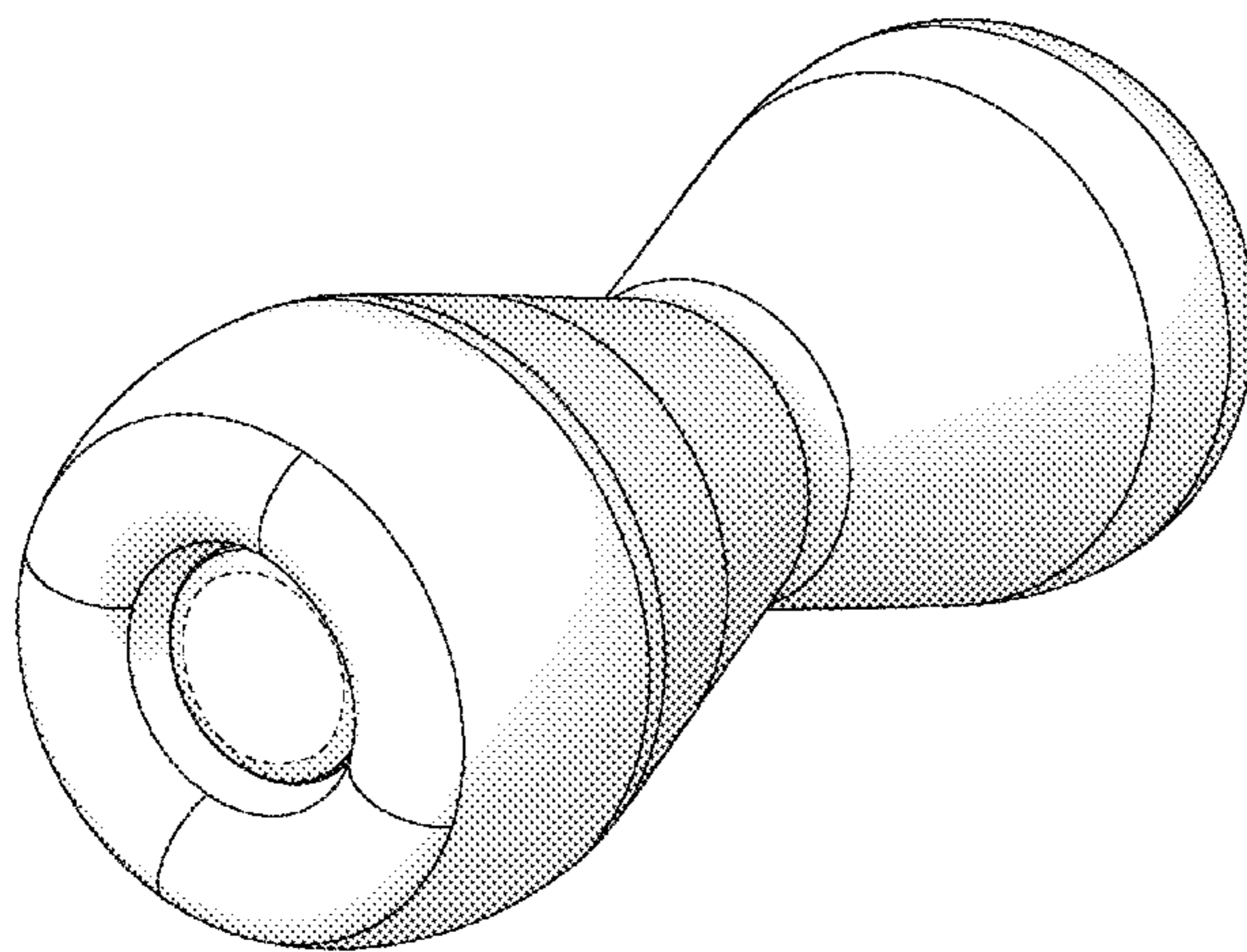


FIG. 1

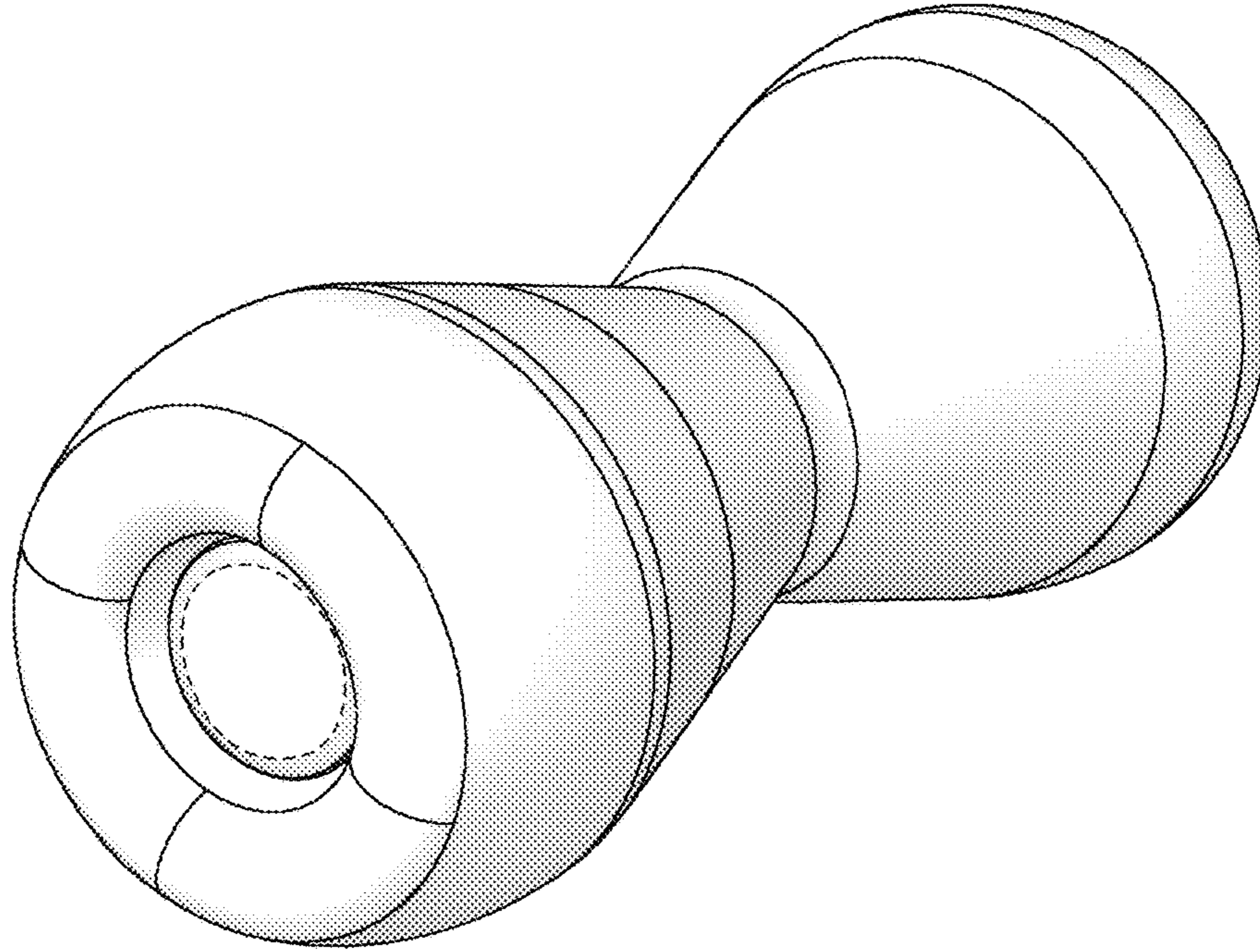


FIG. 2

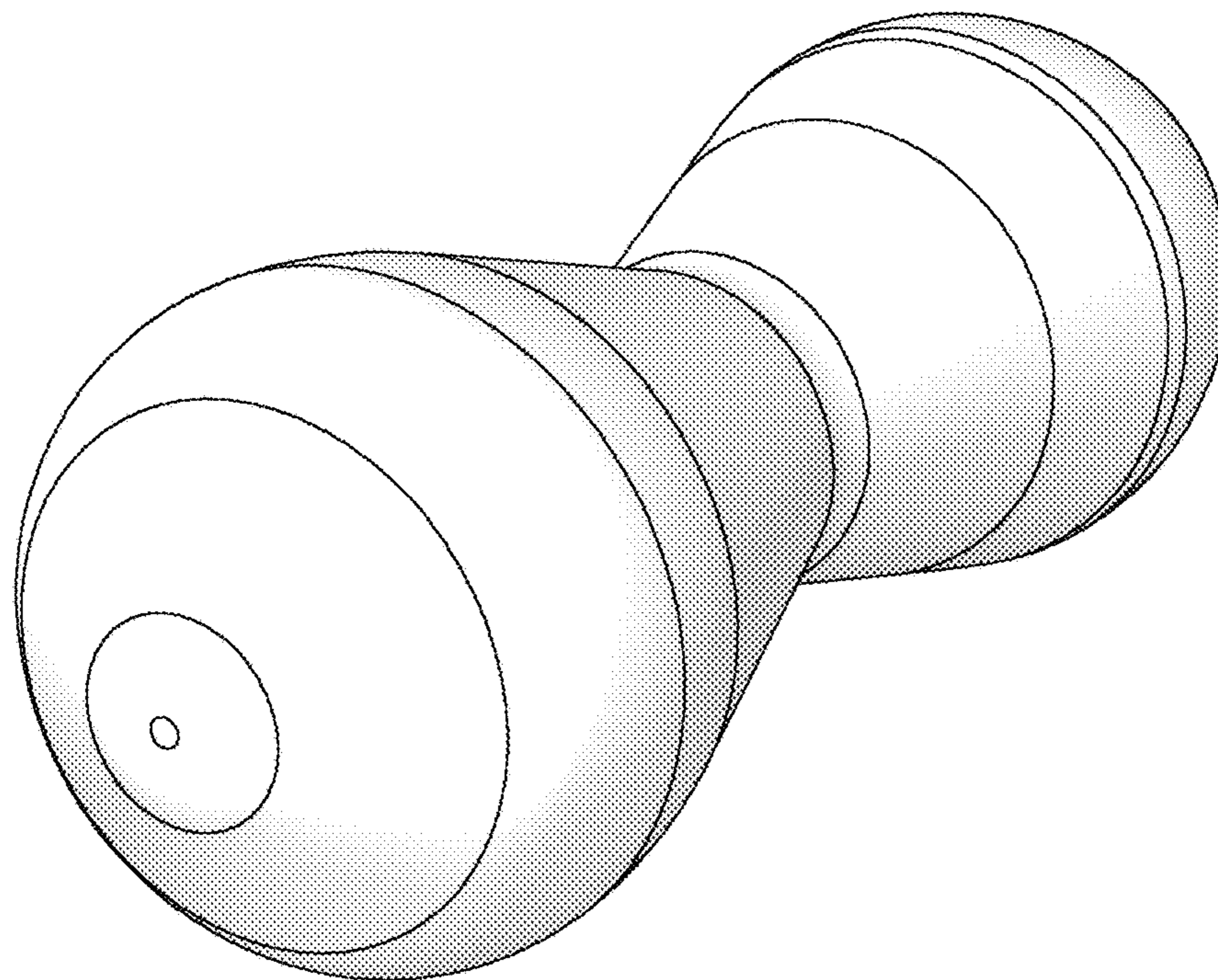


FIG. 3

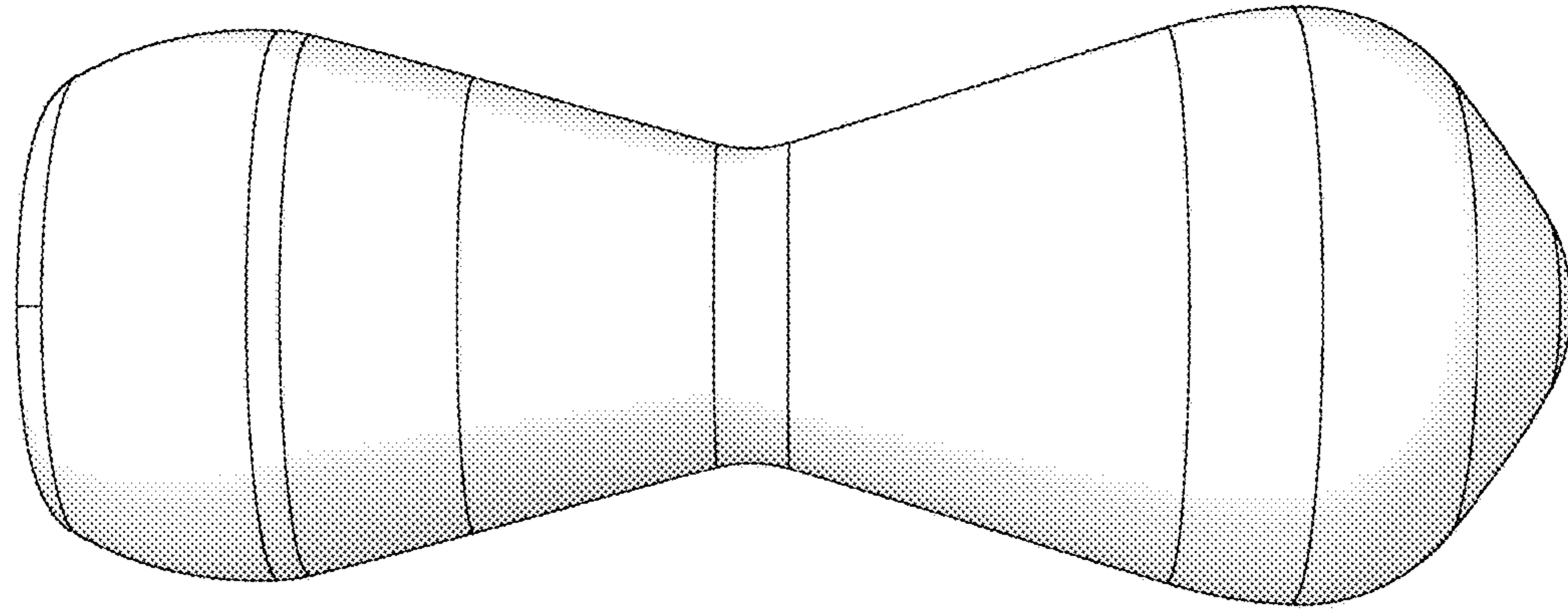


FIG. 4

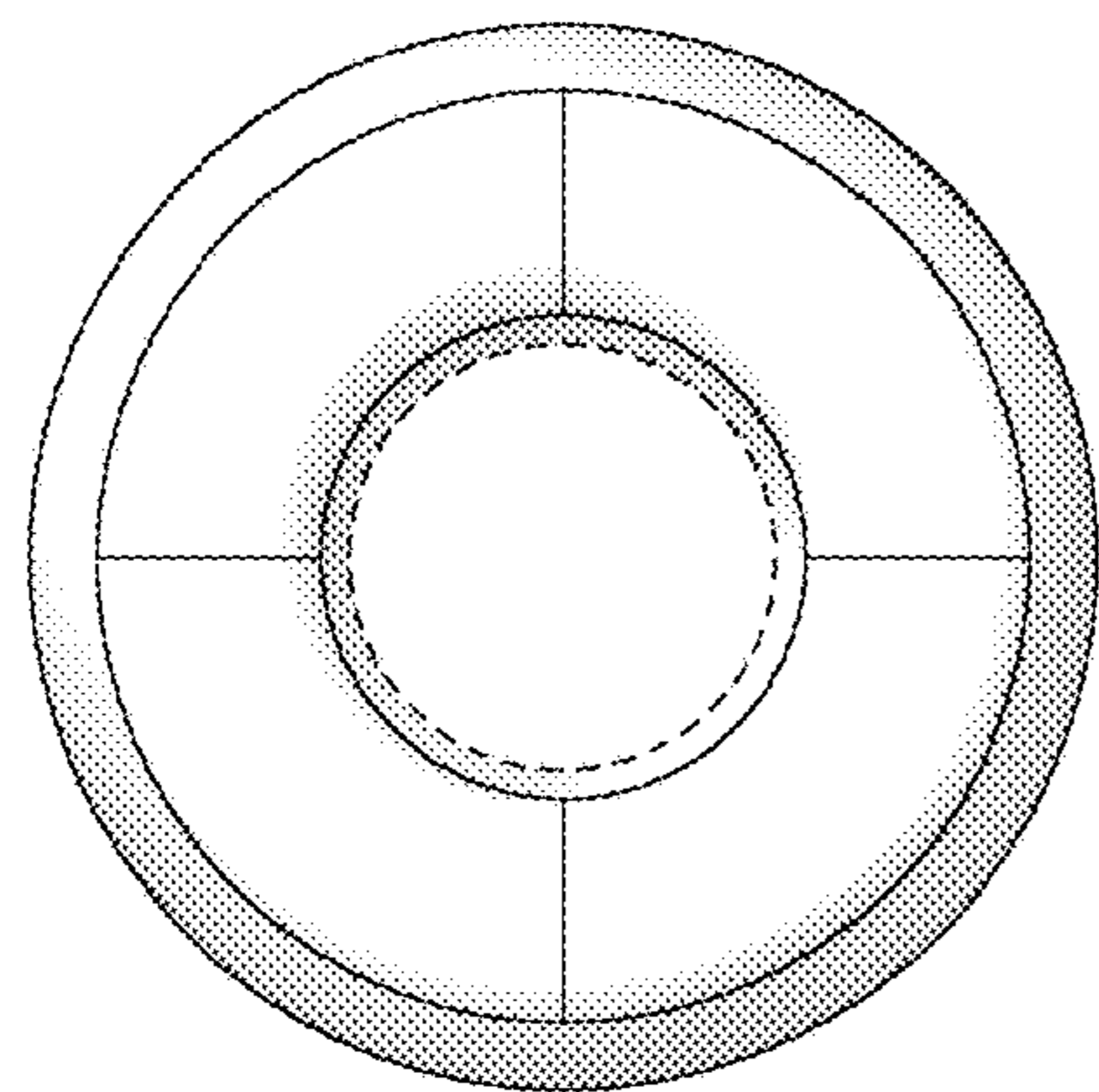


FIG. 5

