



US00D836775S

(12) **United States Design Patent** (10) **Patent No.:** **US D836,775 S**  
**Waqar** (45) **Date of Patent:** **\*\* Dec. 25, 2018**

(54) <b>INTRAVITREAL INJECTION GUIDE</b>	D496,730 S * 9/2004 Morawski ..... A61B 17/3211 D24/133
(71) Applicant: <b>Beaver-Visitec International, Inc.</b> , Waltham, MA (US)	D624,648 S * 9/2010 Terry ..... D24/135 D631,157 S * 1/2011 Terry ..... D24/135 7,909,840 B2 * 3/2011 Cote ..... A61B 17/3211 606/167
(72) Inventor: <b>Salman Waqar</b> , Tavistock (GB)	D639,942 S * 6/2011 Terry ..... D24/135 D660,966 S * 5/2012 Sheild ..... D24/152
(73) Assignee: <b>BEAVER-VISITEC INTERNATIONAL, INC.</b> , Waltham, MA (US)	D694,401 S * 11/2013 Lehannur ..... D24/113 D791,320 S * 7/2017 Sgard ..... D24/143 2009/0227846 A1 * 9/2009 Beck ..... A61B 1/32 600/236
(**) Term: <b>15 Years</b>	2010/0298648 A1 * 11/2010 Gray ..... A61B 17/02 600/213

(21) Appl. No.: **29/628,726**

(22) Filed: **Dec. 7, 2017**

(51) **LOC (11) Cl.** ..... **24-02**

(52) **U.S. Cl.**  
USPC ..... **D24/140**

(58) **Field of Classification Search**  
USPC ..... D24/140, 135, 133, 152, 150, 176, 143,  
D24/167, 171, 172, 231, 107, 111, 112,  
D24/120; D8/47, 48, 82, 83; D19/37  
CPC . A61F 9/00736; A61B 17/02; A61B 17/0206;  
A61B 17/0293; A61B 17/0231; A61B  
2017/0237; A61B 2017/0256; A61B  
2017/0268; A61B 2017/0275; A61B 1/32  
See application file for complete search history.

(56) **References Cited**

U.S. PATENT DOCUMENTS

D223,978 S * 6/1972 John ..... D24/143
D345,602 S * 3/1994 Metz ..... D24/143
D421,303 S * 2/2000 Cote ..... D24/133

\* cited by examiner

*Primary Examiner* — Jeffrey D Asch

*Assistant Examiner* — Tracey J Bell

(74) *Attorney, Agent, or Firm* — Budzyn IP Law, LLC

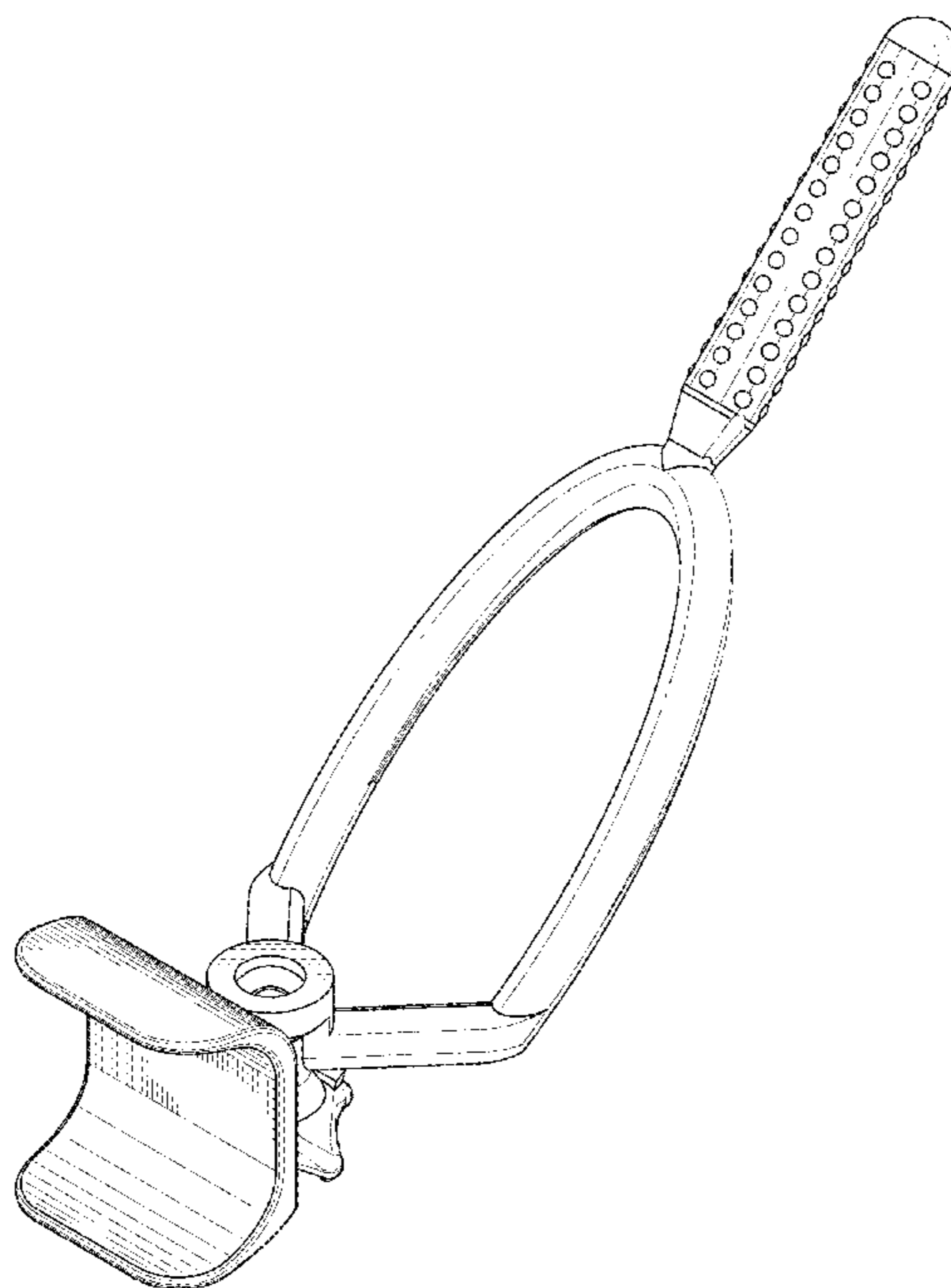
(57) **CLAIM**

The ornamental design for an intravitreal injection guide, as shown and described.

**DESCRIPTION**

FIG. 1 is a perspective view of an intravitreal injection guide;  
FIG. 2 is a right side elevational view thereof;  
FIG. 3 is a left side elevational view thereof;  
FIG. 4 is a front elevational view thereof;  
FIG. 5 is a rear elevational view thereof;  
FIG. 6 is a top plan view thereof; and,  
FIG. 7 is a bottom plan view thereof.

**1 Claim, 5 Drawing Sheets**



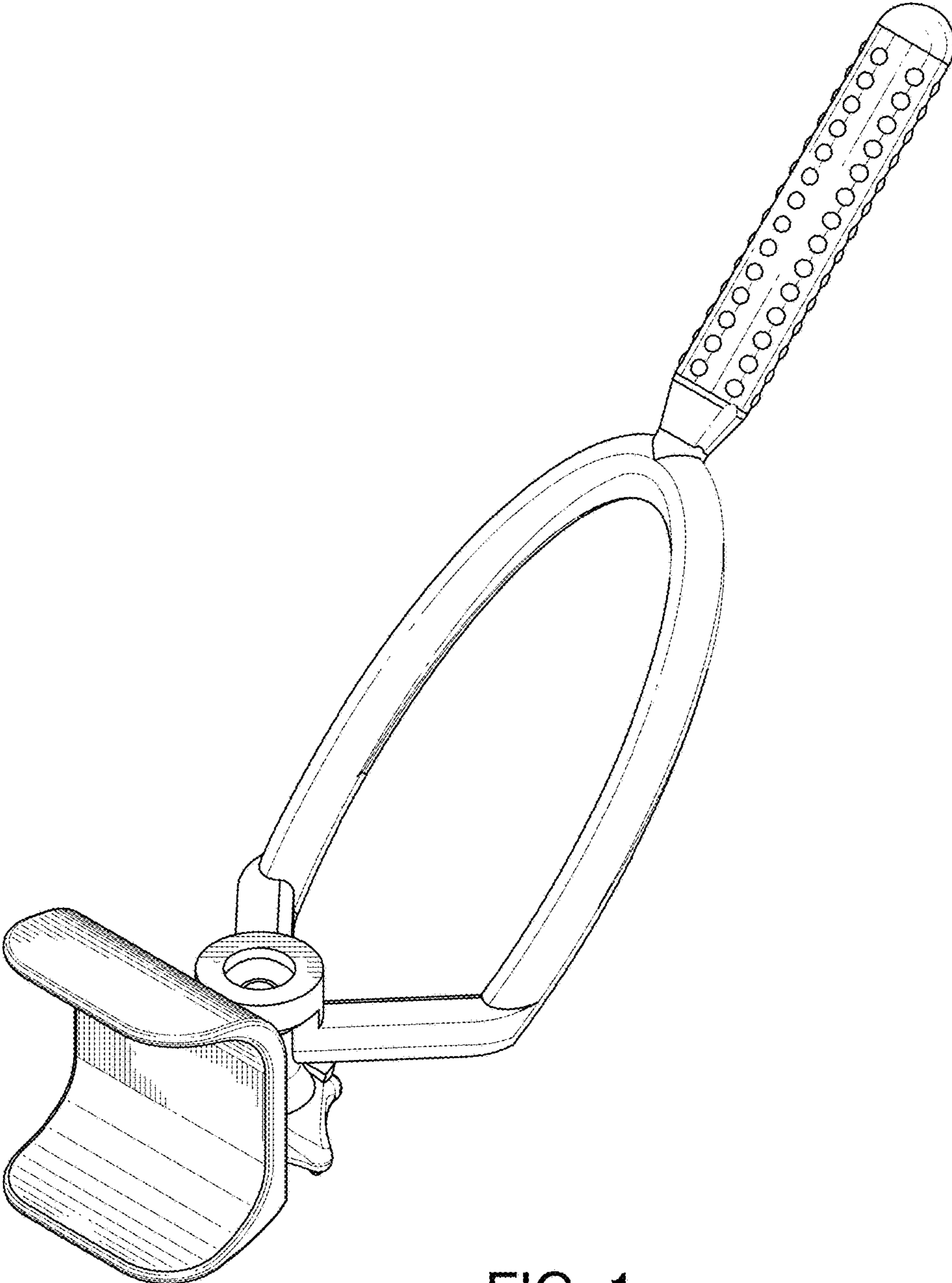


FIG. 1

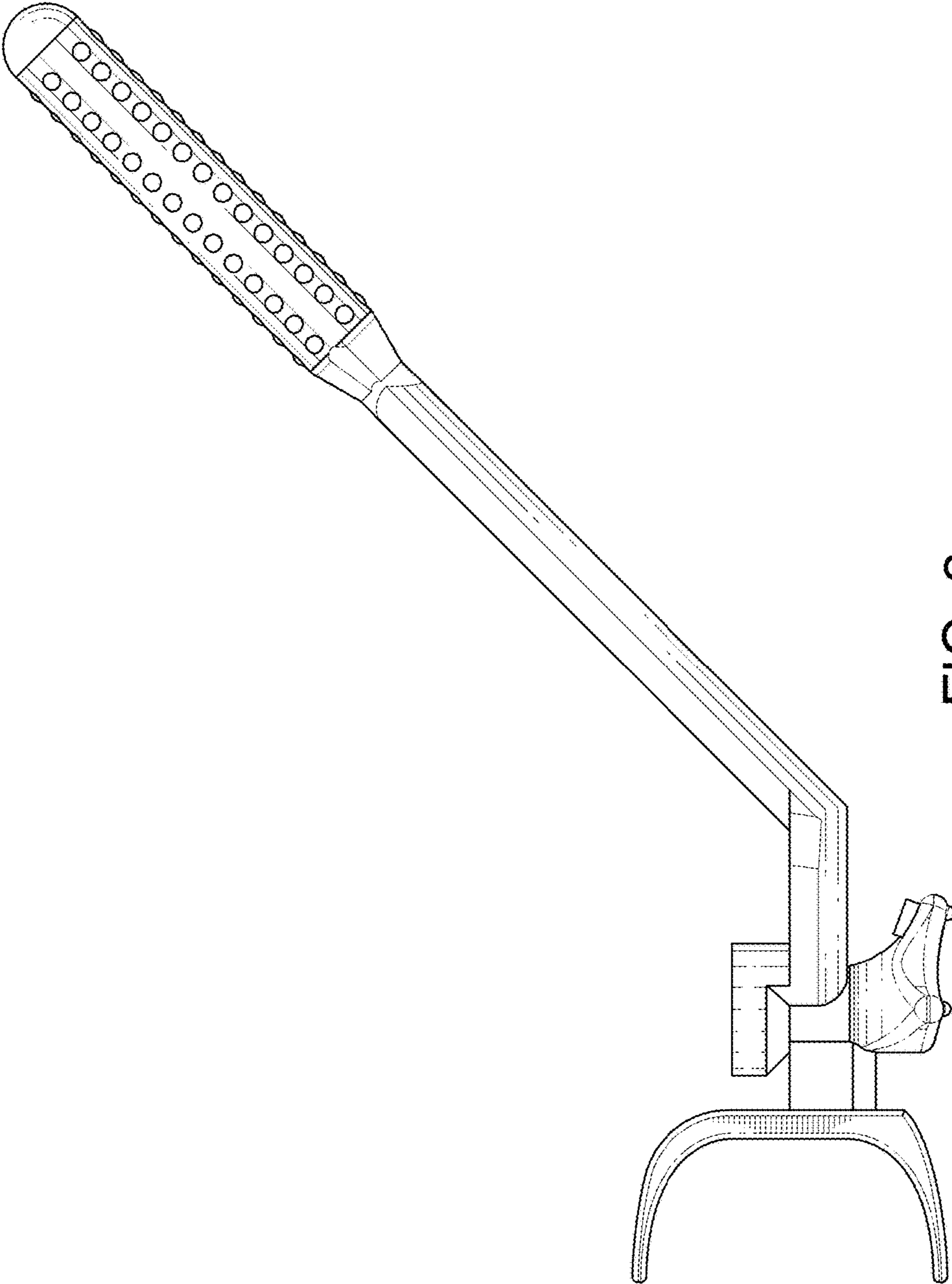


FIG. 2

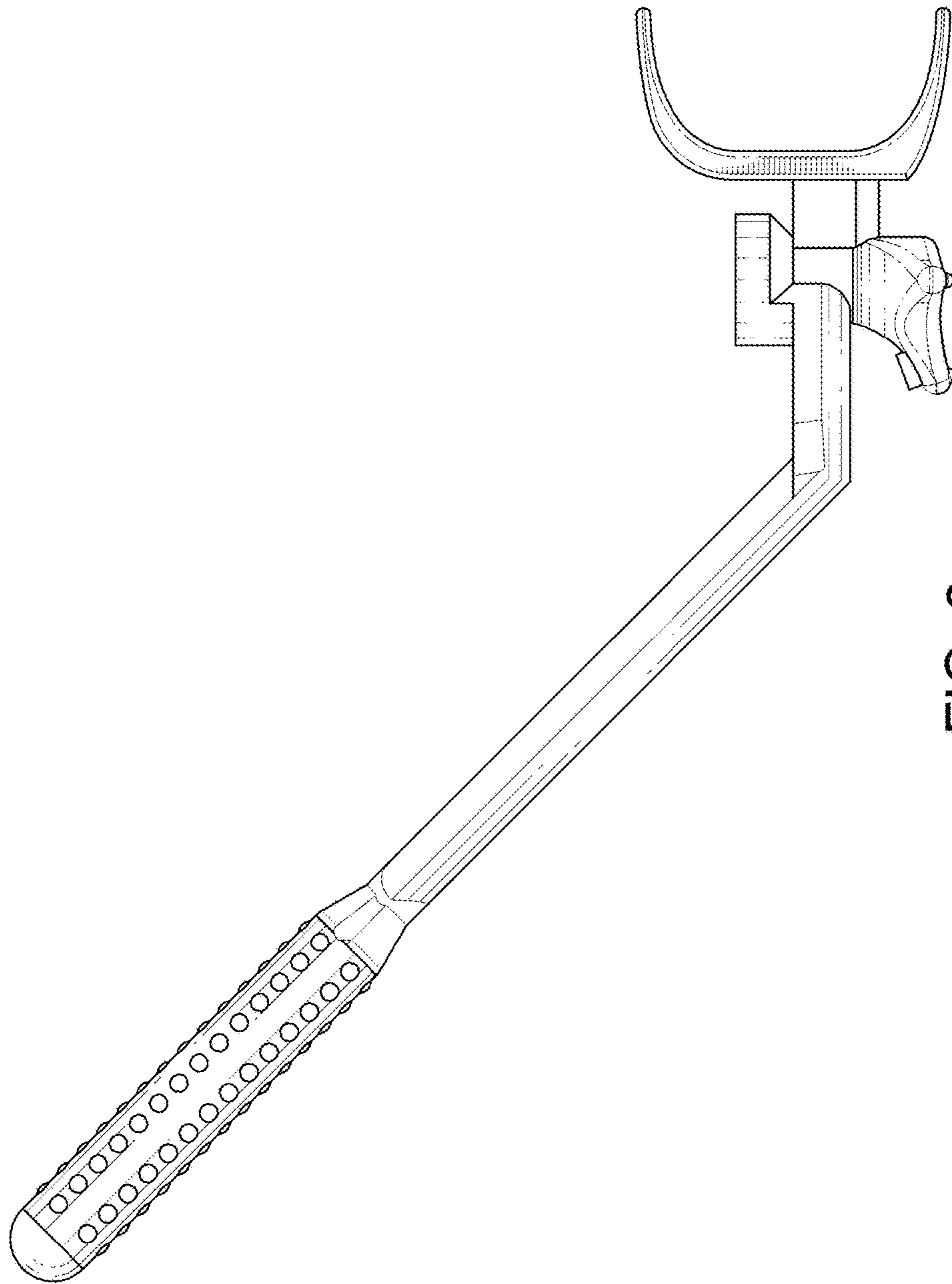


FIG. 3

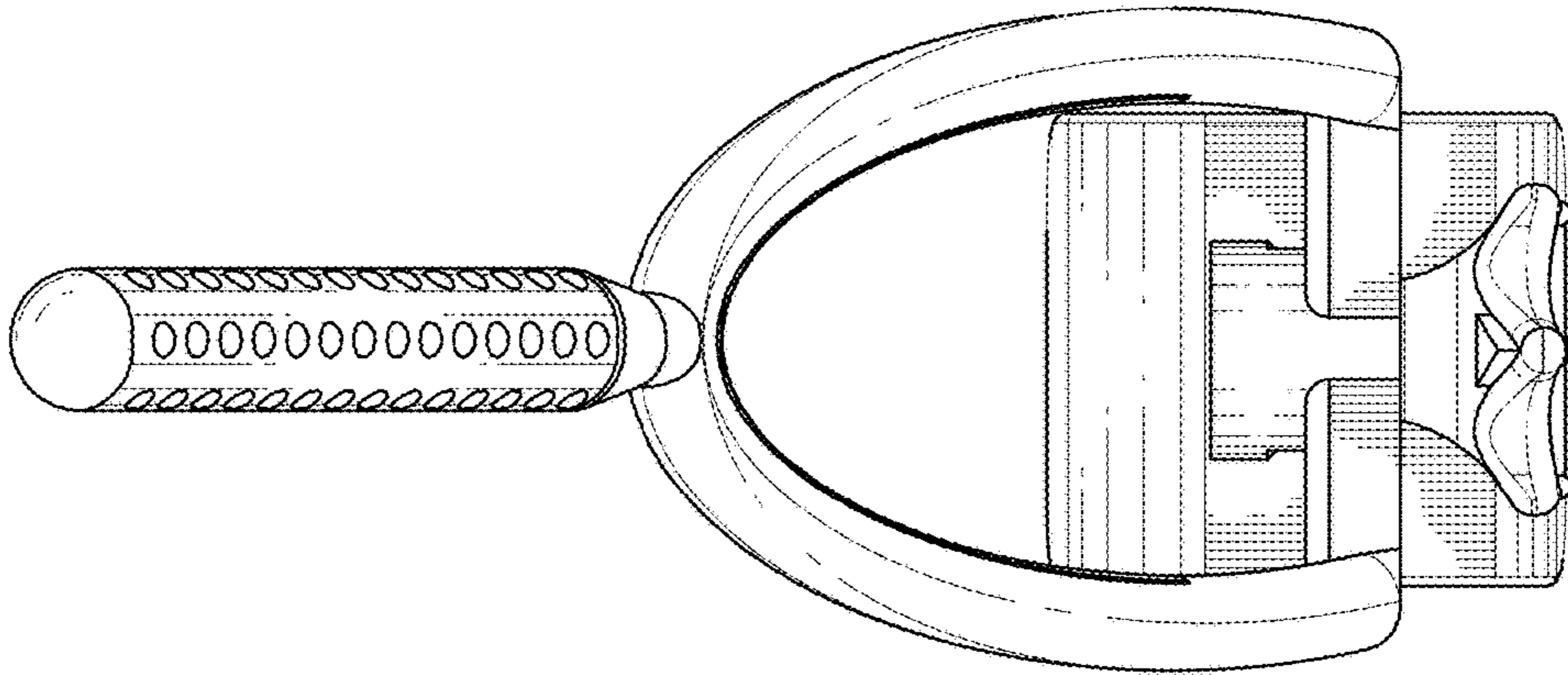


FIG. 5

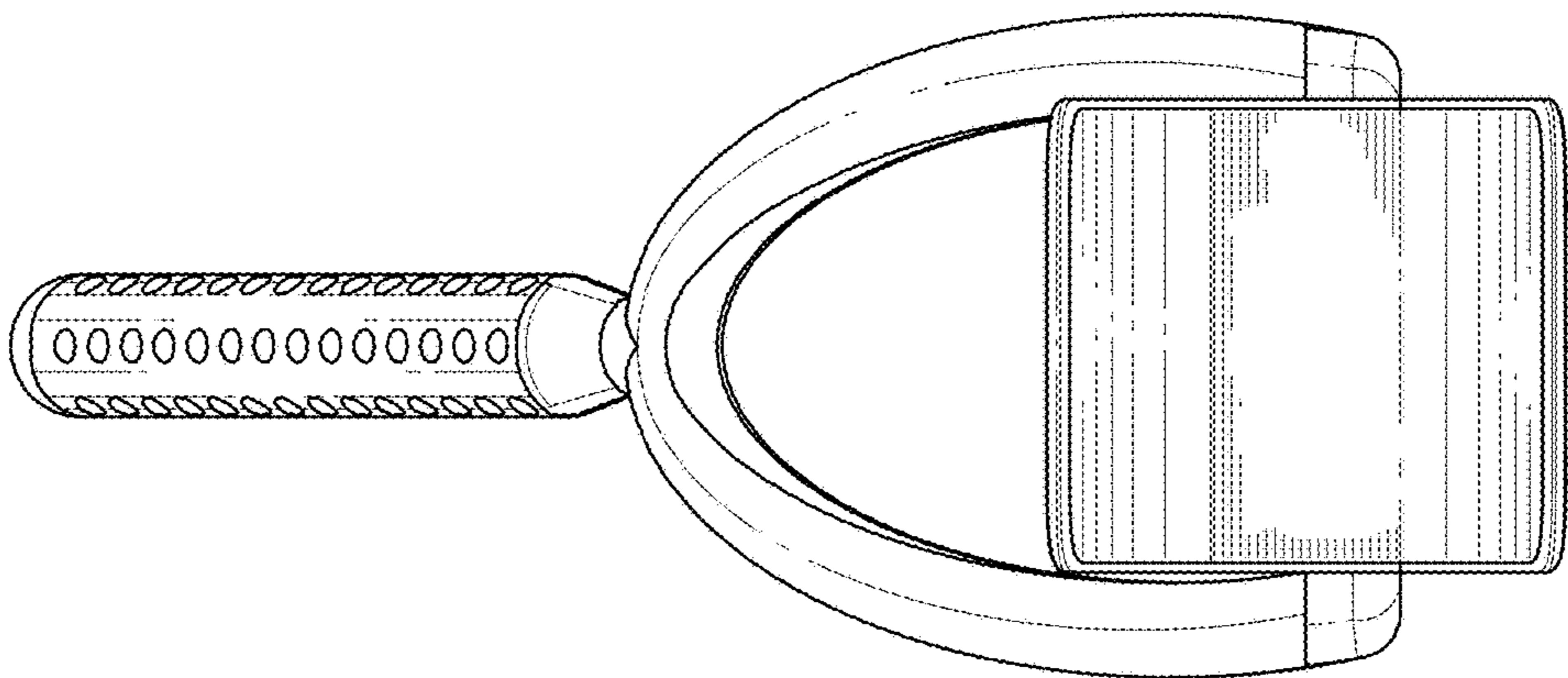


FIG. 4

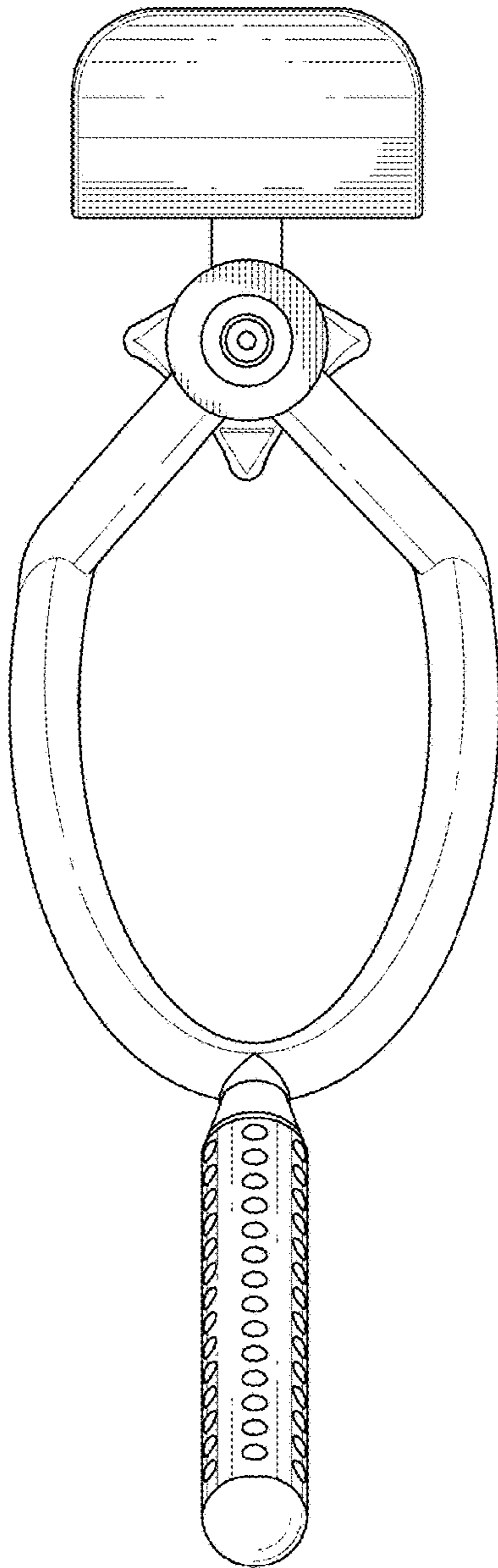


FIG. 6

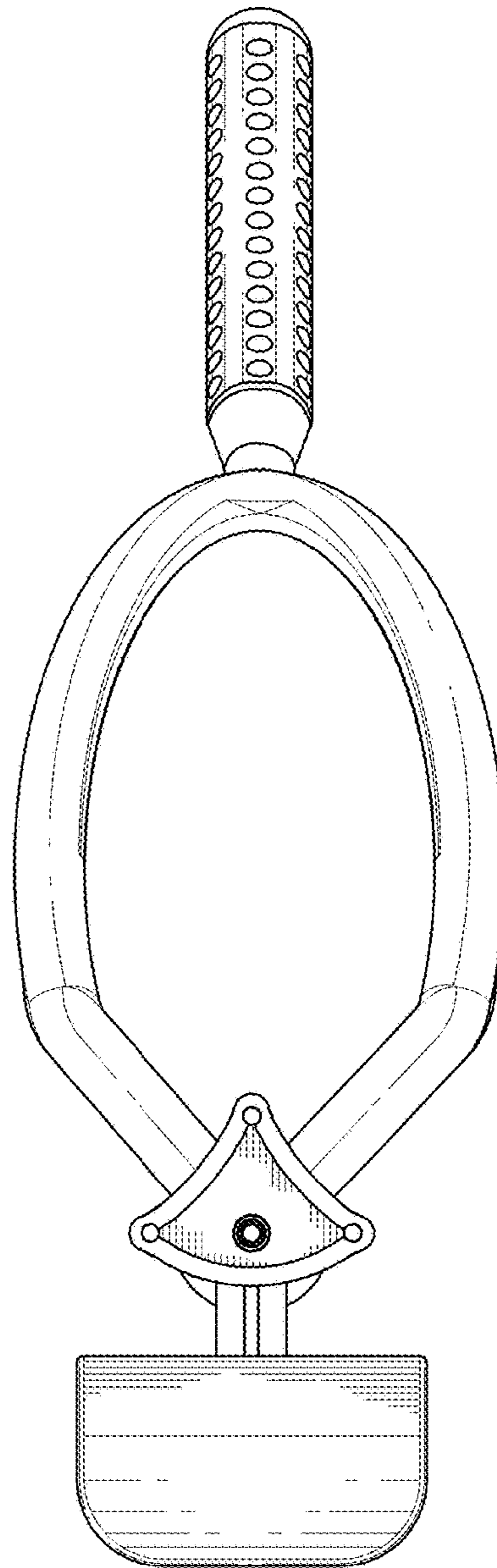


FIG. 7