



US00D836774S

(12) **United States Design Patent** (10) **Patent No.:** **US D836,774 S**
Ross et al. (45) **Date of Patent:** **** Dec. 25, 2018**

(54) **CARTRIDGE FOR A FLUID DELIVERY APPARATUS**

(71) Applicant: **SORRENTO THERAPEUTICS, INC.**, San Diego, CA (US)

(72) Inventors: **Russell Ross**, Jacksonville Beach, FL (US); **Andrew T. Baker**, Norcross, GA (US); **Elizabeth D. Gadsby**, Marietta, MA (US); **Alyson Yamada**, Palo Alto, CA (US); **Aaron Peck**, San Francisco, CA (US); **Pratap Ganapathy**, Menlo Park, CA (US); **Luke Hagan**, Seattle, WA (US); **David P. Pollock**, Charlestown, RI (US)

(73) Assignee: **SORRENTO THERAPEUTICS, INC.**, San Diego, CA (US)

(**) Term: **15 Years**

(21) Appl. No.: **29/587,923**

(22) Filed: **Dec. 16, 2016**

(51) **LOC (11) Cl.** **24-02**

(52) **U.S. Cl.**
USPC **D24/127**

(58) **Field of Classification Search**
USPC D24/8, 112, 113, 114, 127, 128, 129, D24/130, 133, 141, 146, 147, 152, 186, D24/214, 215; D8/93, 97, 300, 310, 311, D8/349, 382; D23/129, 223, 249, 259, D23/262; D10/30-33, 104.1, 106.5
CPC ... A44C 5/0007; A44C 5/0023; A44C 5/0053; A61M 5/158; A61M 5/1582; A61M 5/3243; A61M 5/14244; A61M 5/14248; A61M 2005/14252; A61M 2005/1583; A61M 2005/1585; A61M 2005/3227; A61M 2037/0023; A61M 37/015; A61M 25/0606; A61M 25/0612; A61M 25/0637; A61B 17/205; A61B 1/00094

See application file for complete search history.

(56) **References Cited**

U.S. PATENT DOCUMENTS

D270,244	S	*	8/1983	McCormick	D10/15
6,299,673	B1		10/2001	Field et al.		
6,770,434	B2		8/2004	Shvets et al.		
6,980,855	B2		12/2005	Cho		
D517,904	S	*	3/2006	Alkalay	D8/382
D520,351	S	*	5/2006	Alkalay	D8/382
7,226,439	B2		6/2007	Prausnitz et al.		
7,437,914	B2		10/2008	Harding et al.		

(Continued)

FOREIGN PATENT DOCUMENTS

JP			2009233388	A	*	10/2009	A61M 5/162
WO			2016023637	A1		2/2016		

Primary Examiner — Sheryl Lane
Assistant Examiner — Calvin E Vansant

(74) *Attorney, Agent, or Firm* — Armstrong Teasdale LLP

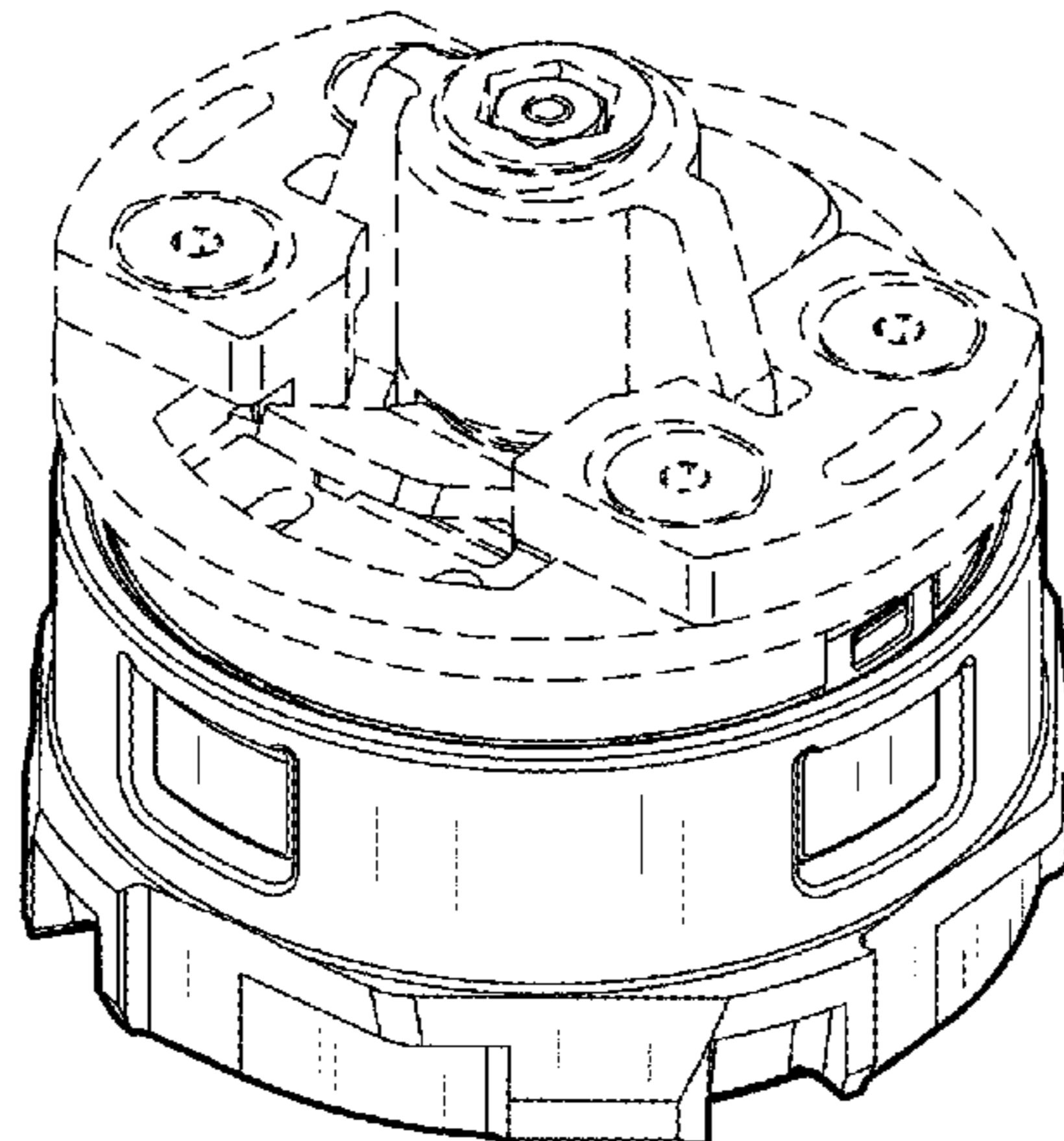
(57) **CLAIM**

We claim the ornamental design for a cartridge for a fluid delivery apparatus, as shown and described.

DESCRIPTION

FIG. 1 is a perspective view of a cartridge for a fluid delivery apparatus of our new design.
 FIG. 2 is a front elevation view thereof.
 FIG. 3 is a back elevation view thereof.
 FIG. 4 is a right side view thereof.
 FIG. 5 is a left side view thereof.
 FIG. 6 is a top plan view thereof; and,
 FIG. 7 is a bottom plan view thereof.
 The dashed broken lines depict portions of the cartridge for a fluid delivery apparatus that form no part of the claim. The dash-dot-dash broken lines show the boundary of the claimed design and form no part of the claim.

1 Claim, 7 Drawing Sheets



(56)

References Cited

U.S. PATENT DOCUMENTS

7,686,029	B2	3/2010	Nakao	
7,785,301	B2	8/2010	Yuzhakov	
7,842,008	B2	11/2010	Clarke et al.	
8,192,534	B2	6/2012	Hekmat et al.	
8,317,168	B2	11/2012	Murakami	
8,399,410	B2	3/2013	Herschkowitz et al.	
D700,095	S *	2/2014	Dohi	D10/106.5
8,889,085	B2	11/2014	Lee et al.	
8,895,292	B2	11/2014	Soderlund et al.	
D721,266	S *	1/2015	Sun	D8/382
8,939,935	B2	1/2015	O'Connor et al.	
9,061,277	B2	6/2015	Jung et al.	
9,101,706	B2	8/2015	Gonnelli et al.	
D773,330	S *	12/2016	Dietz	D10/106.5
2008/0317632	A1	12/2008	Shimasaki et al.	
2010/0255366	A1 *	10/2010	Myland	A61M 5/14244 429/175
2011/0172639	A1	7/2011	Moga et al.	
2011/0319279	A1	12/2011	Montagu et al.	
2012/0123387	A1	5/2012	Gonzalez et al.	
2012/0143135	A1 *	6/2012	Cole	A61M 5/158 604/164.04
2012/0172804	A1	7/2012	Plumptre	
2013/0178830	A1	7/2013	Chowdhury	
2015/0133862	A1 *	5/2015	Bang	A61B 17/205 604/117
2015/0209783	A1	7/2015	Ingber et al.	
2015/0352295	A1	12/2015	Burton et al.	
2015/0352547	A1	12/2015	Breinlinger et al.	
2016/0008212	A1	1/2016	Chen et al.	
2016/0030667	A1 *	2/2016	Hirschel	A61M 5/158 604/510
2016/0193412	A1	7/2016	Cereda et al.	
2016/0220798	A1	8/2016	Netzel et al.	

* cited by examiner

FIG. 1

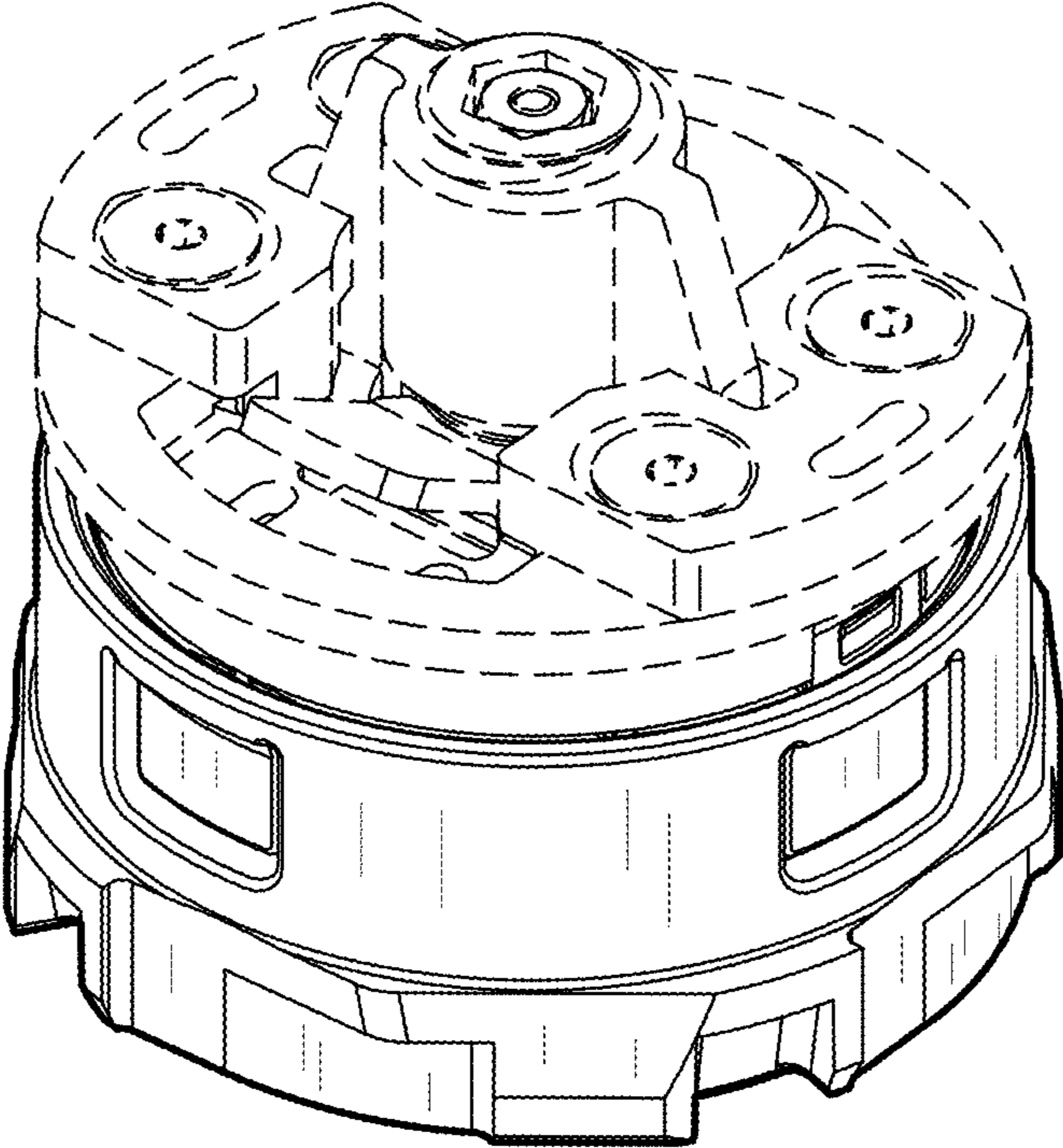


FIG. 2

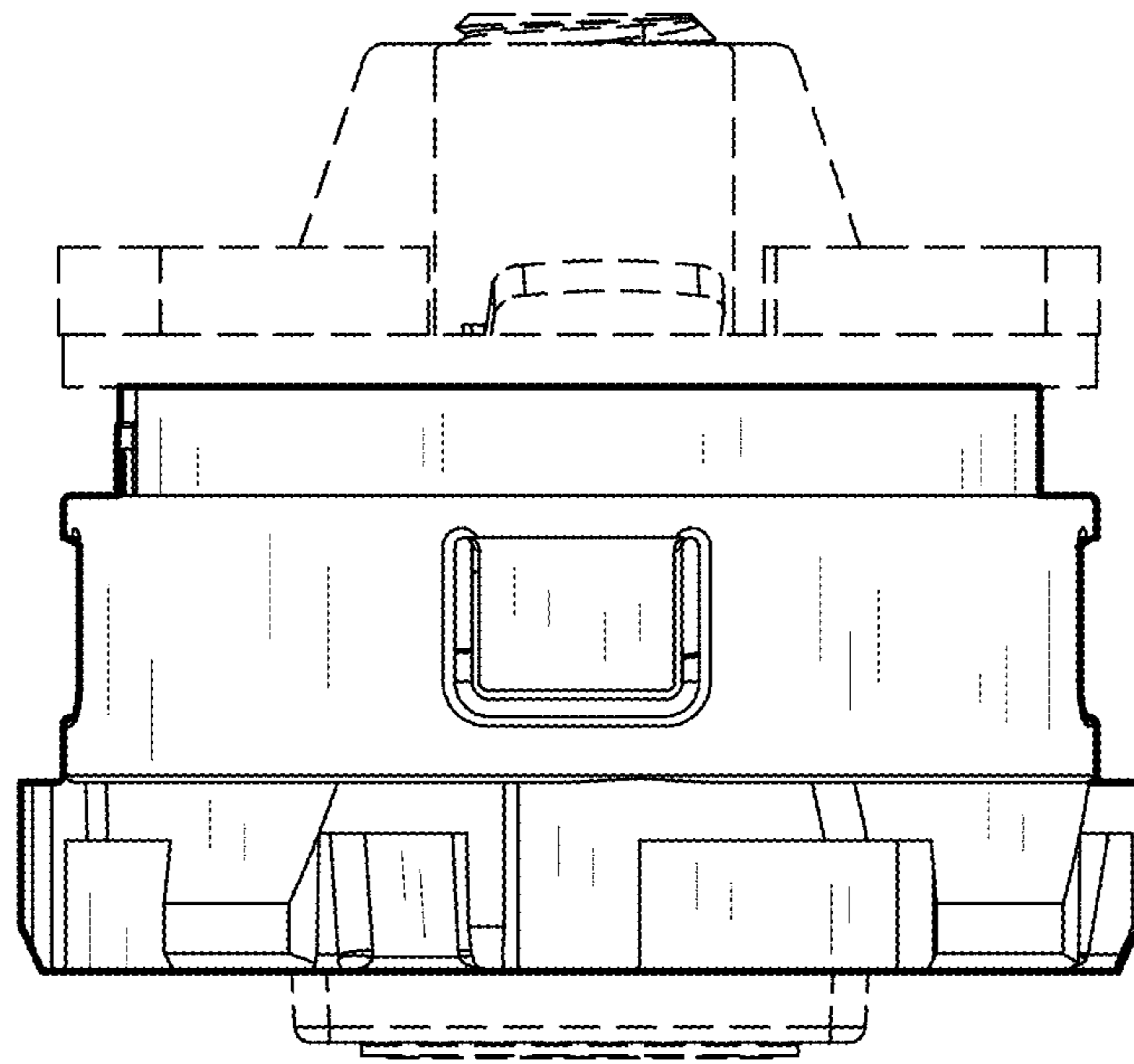


FIG. 3

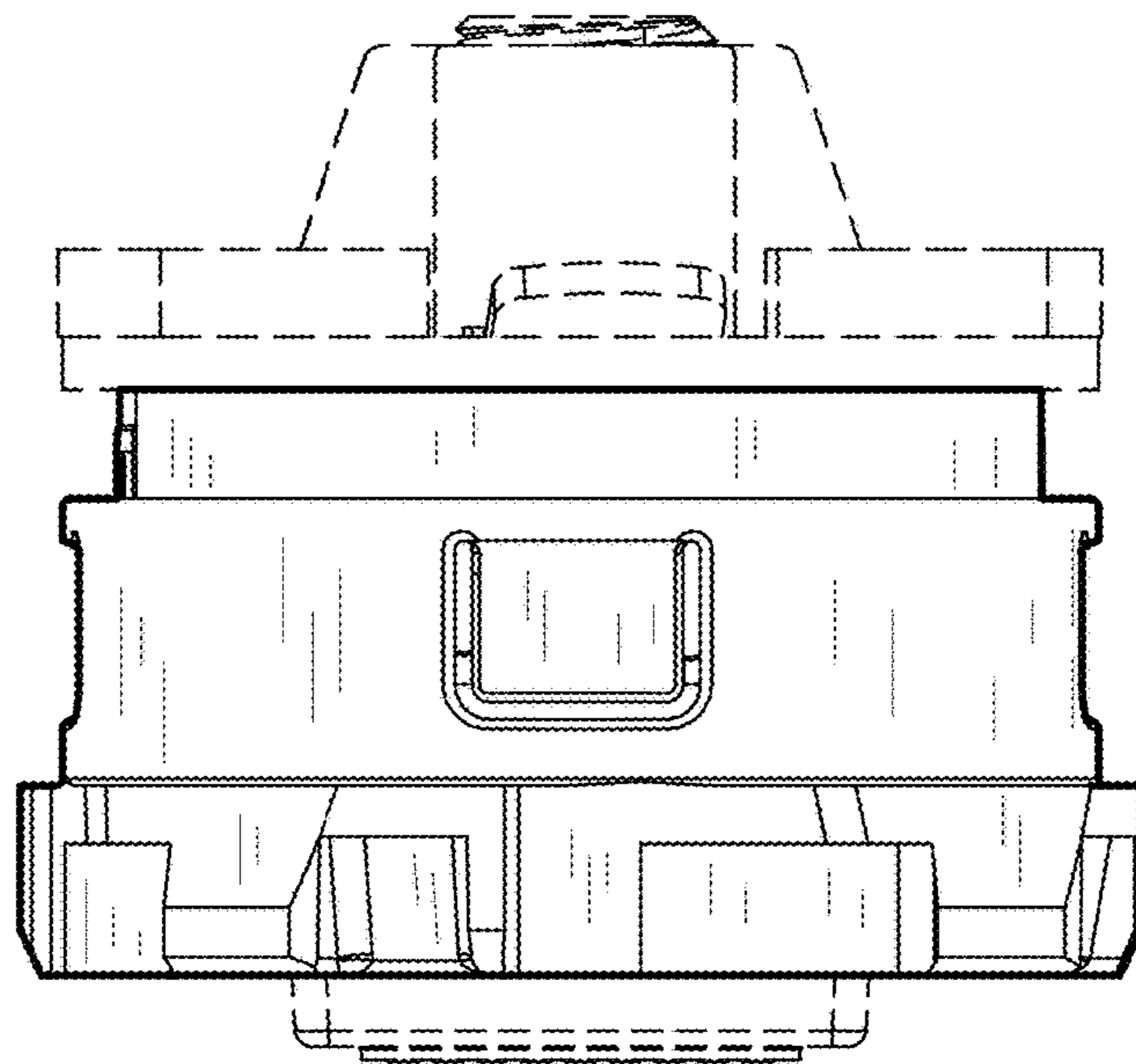


FIG. 4

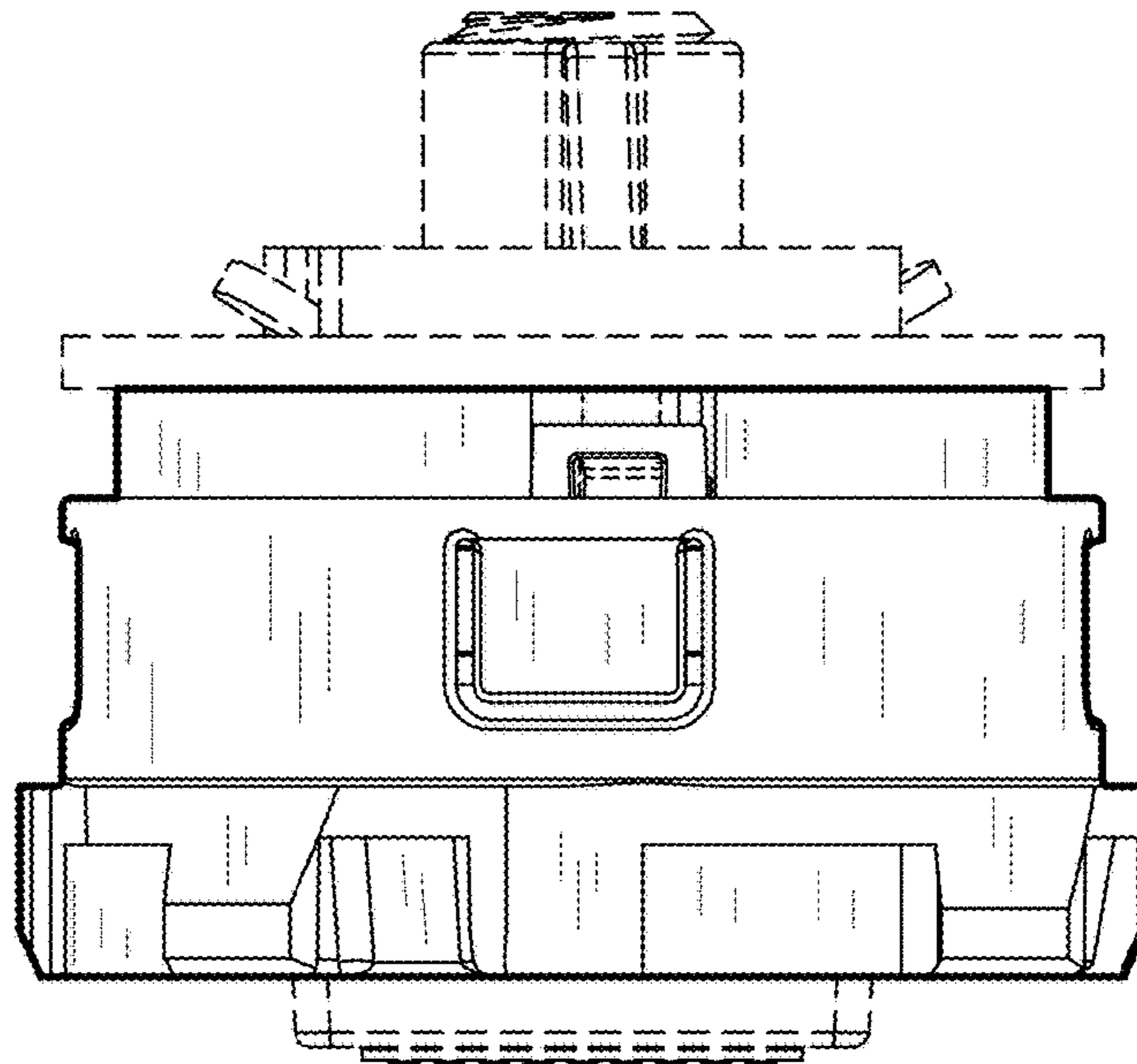


FIG. 5

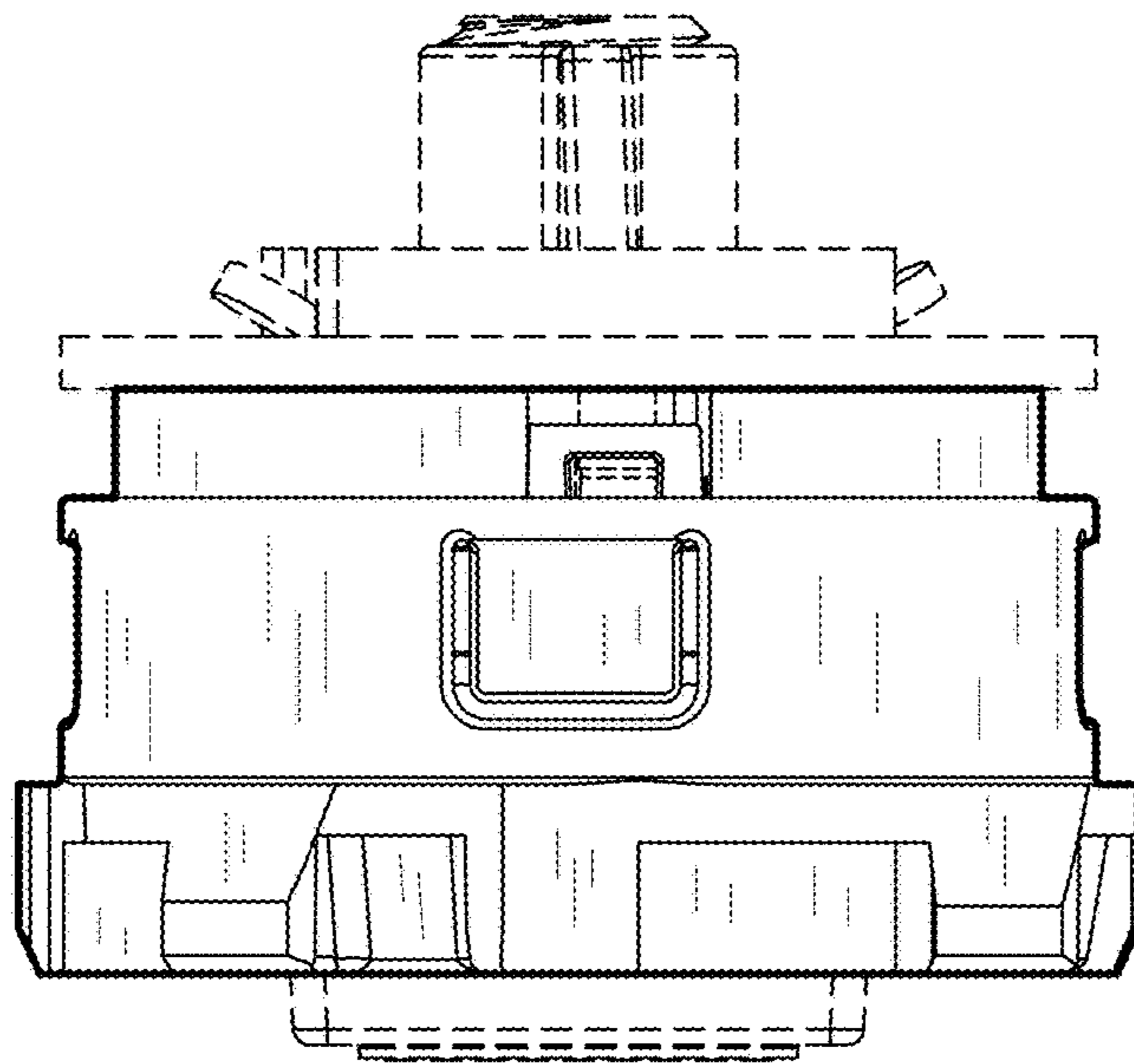


FIG. 6

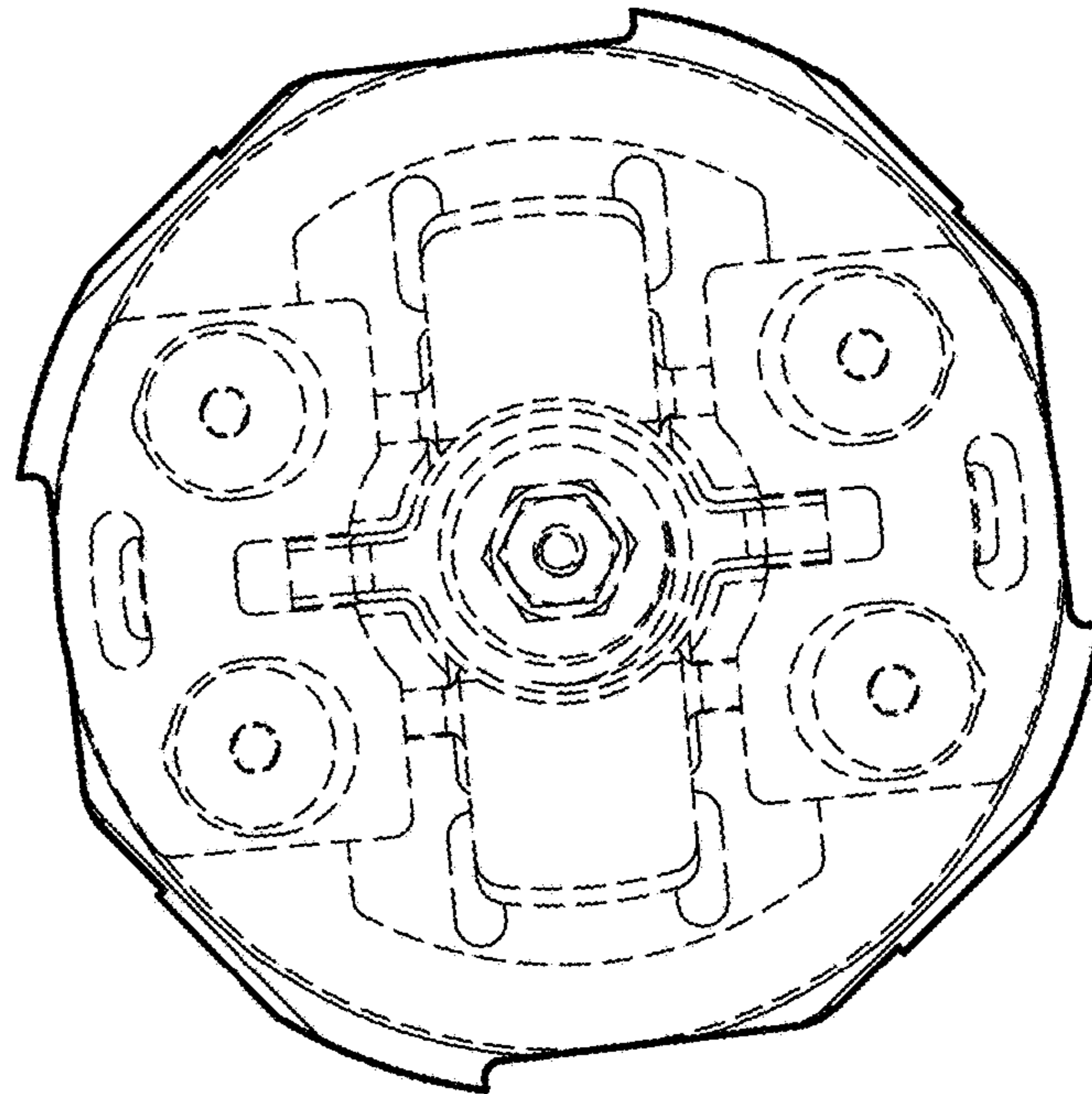


FIG. 7

