



US00D836773S

(12) **United States Design Patent**
Ozelkan

(10) **Patent No.:** **US D836,773 S**

(45) **Date of Patent:** **** Dec. 25, 2018**

(54) **PORTABLE MALE URINAL**

(71) Applicant: **Emre Ozelkan**, Plainview, NY (US)

(72) Inventor: **Emre Ozelkan**, Plainview, NY (US)

(**) Term: **15 Years**

(21) Appl. No.: **29/545,353**

(22) Filed: **Nov. 12, 2015**

(51) **LOC (11) Cl.** **24-02**

(52) **U.S. Cl.**
USPC **D24/122**

(58) **Field of Classification Search**
USPC D24/121-123, 117, 224; D23/276, 295,
D23/302, 274, 309, 200, 266; 4/450-460,
4/144.1-144.4, DIG. 5; 600/573, 574;
604/329, 317, 318, 334; 141/337;
222/527; D7/700
CPC A61G 9/00; A61G 9/006; A61G 9/003;
B65D 25/44; B67C 2011/022
See application file for complete search history.

(56) **References Cited**

U.S. PATENT DOCUMENTS

D213,408 S	2/1969	Brodsky	
3,956,778 A	5/1976	Tanaka	
4,202,058 A	5/1980	Anderson	
D312,132 S *	11/1990	Jaron	D24/118
5,010,599 A	4/1991	Nilsson	
D318,800 S *	8/1991	Serkes	D24/121
D405,522 S *	2/1999	Hoenig	D24/110
D424,687 S *	5/2000	Hoenig	D24/110
D450,118 S *	11/2001	Hyde	D24/112
6,340,038 B1 *	1/2002	Ingram	B67C 11/02 141/333
6,394,142 B1 *	5/2002	Woelfel	F16L 11/22 138/115
D578,211 S	10/2008	Maze et al.	
D580,069 S *	11/2008	Lee	D24/114

D603,502 S *	11/2009	Petersen	D24/133
D672,239 S *	12/2012	Barksdale	D9/447
8,650,669 B1	2/2014	Kolter	
D705,423 S	5/2014	Cutler	
D735,853 S *	8/2015	Pa	D24/129

* cited by examiner

Primary Examiner — David G Muller

(74) *Attorney, Agent, or Firm* — Alfred M. Walker

(57) **CLAIM**

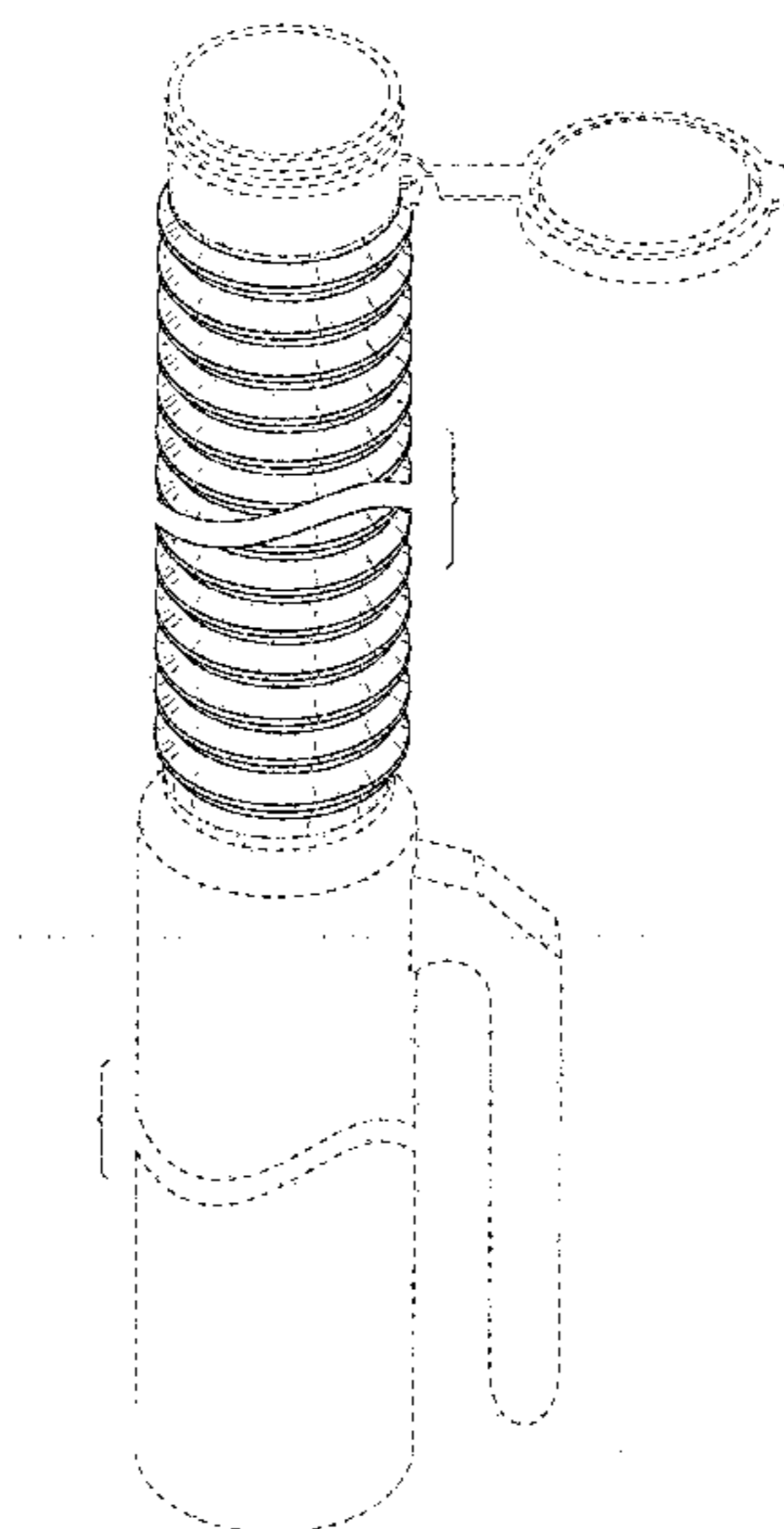
I claim the ornamental design for a portable male urinal, as shown and described.

DESCRIPTION

FIG. 1 is a perspective view of a portable male urinal of the present invention, showing the portable male urinal having a flexible neck extending between an upper capped input port and a lower collection receptacle with a carry handle; FIG. 2 is a front elevation view of the portable male urinal of FIG. 1; FIG. 3 is a rear elevation view of the portable male urinal of FIG. 1; FIG. 4 is a right side elevation view of the portable male urinal of FIG. 1; FIG. 5 is a left side elevation view of the portable male urinal of FIG. 1; FIG. 6 is a top plan view of the portable male urinal of FIG. 1, showing the cap in an open position; and, FIG. 7 is a bottom view of the portable male urinal of FIG. 1.

The portable male urinal is shown with a symbolic break in its length. The appearance of any portion of the article between the break lines forms no part of the claimed design. The broken line showing of the upper capped open port, lower collection receptacle and carry handle is included for the purpose of illustrating use and environment and forms no part of the claimed design.

1 Claim, 6 Drawing Sheets



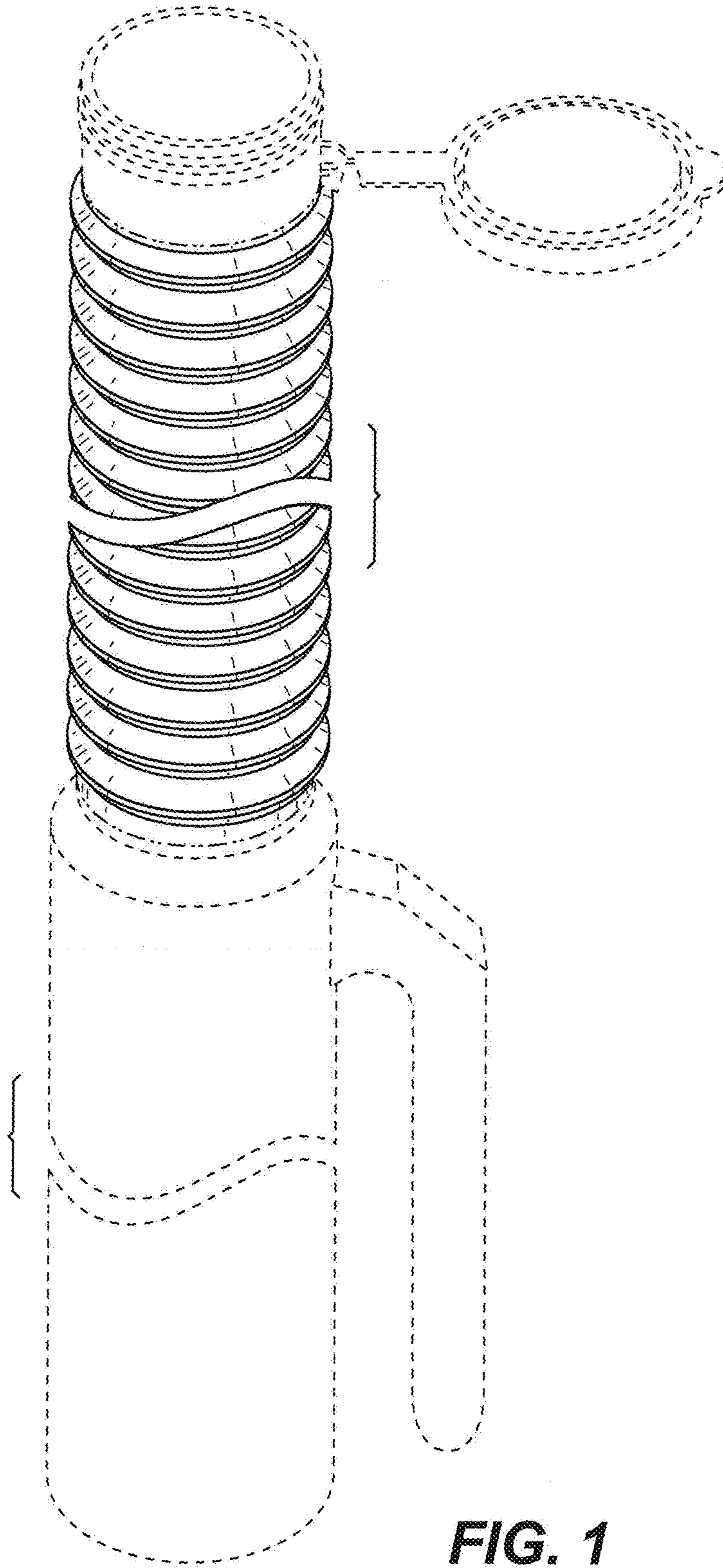


FIG. 1

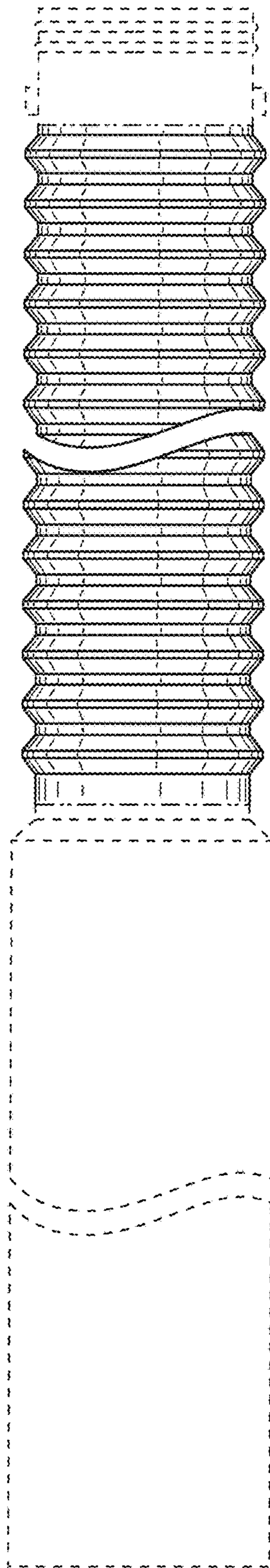


FIG. 2

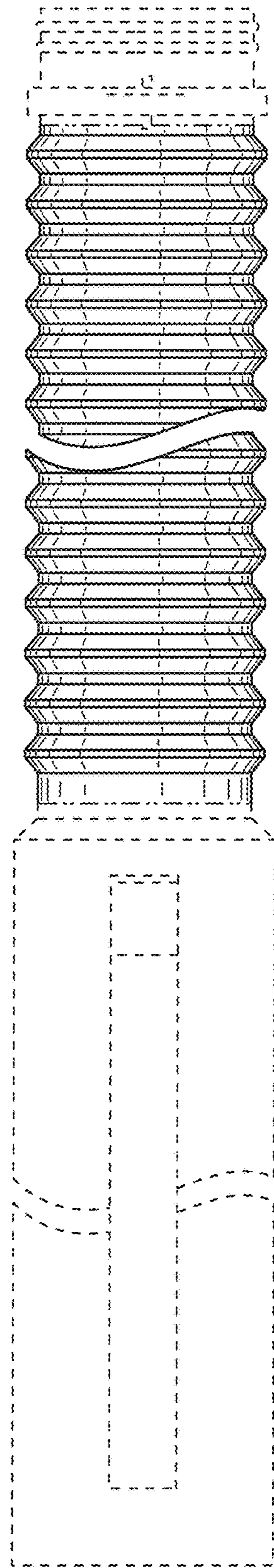


FIG. 3

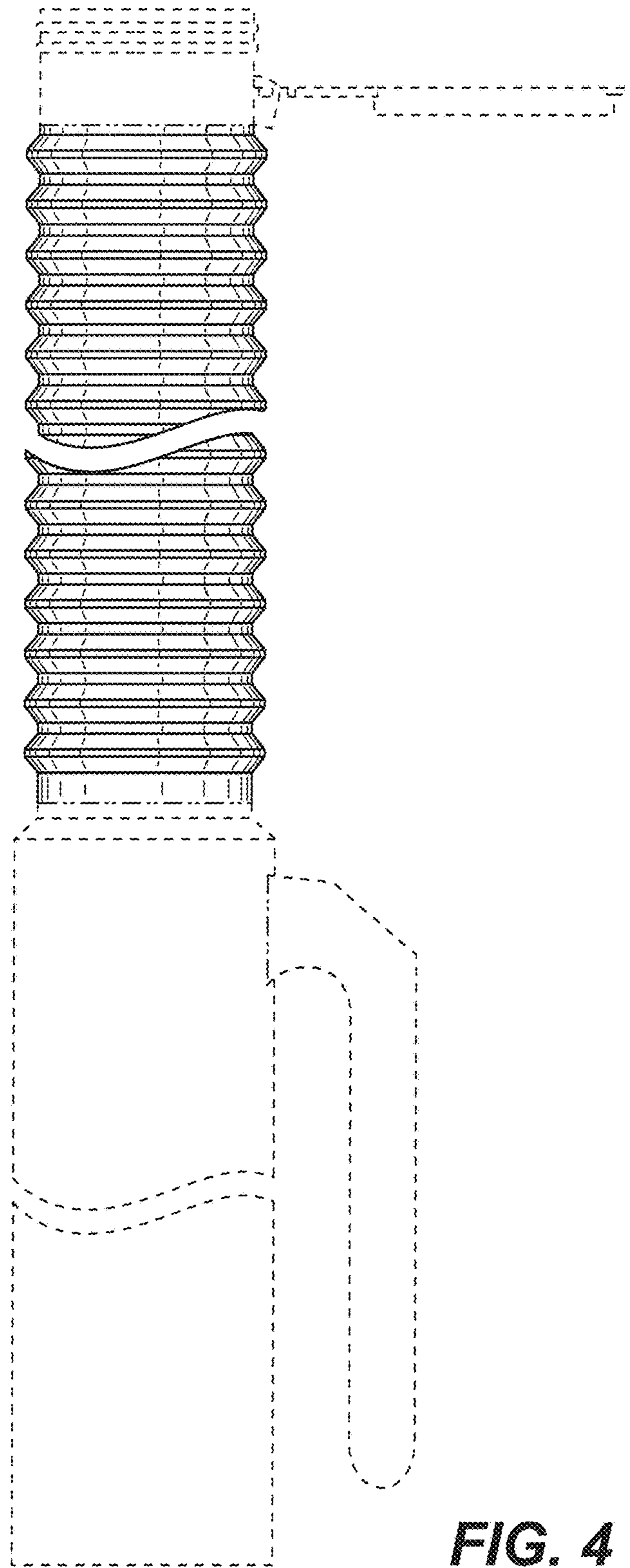


FIG. 4

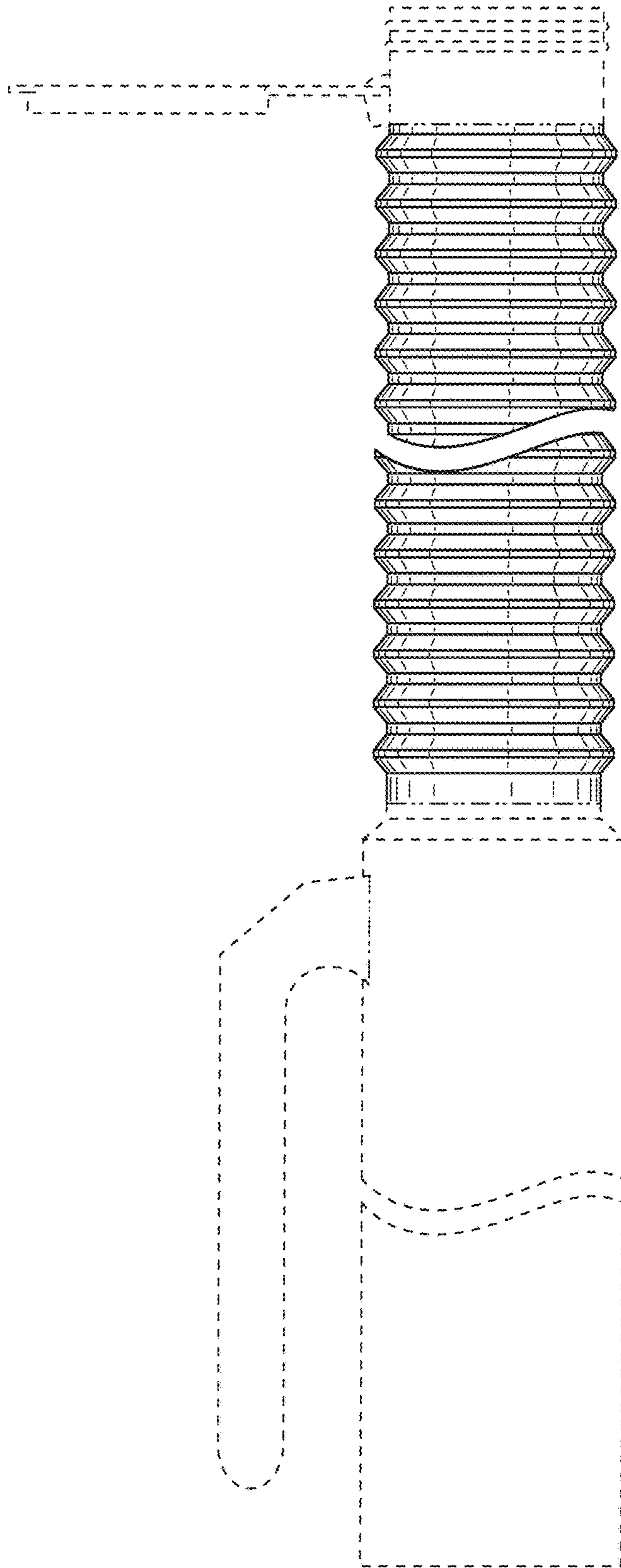


FIG. 5

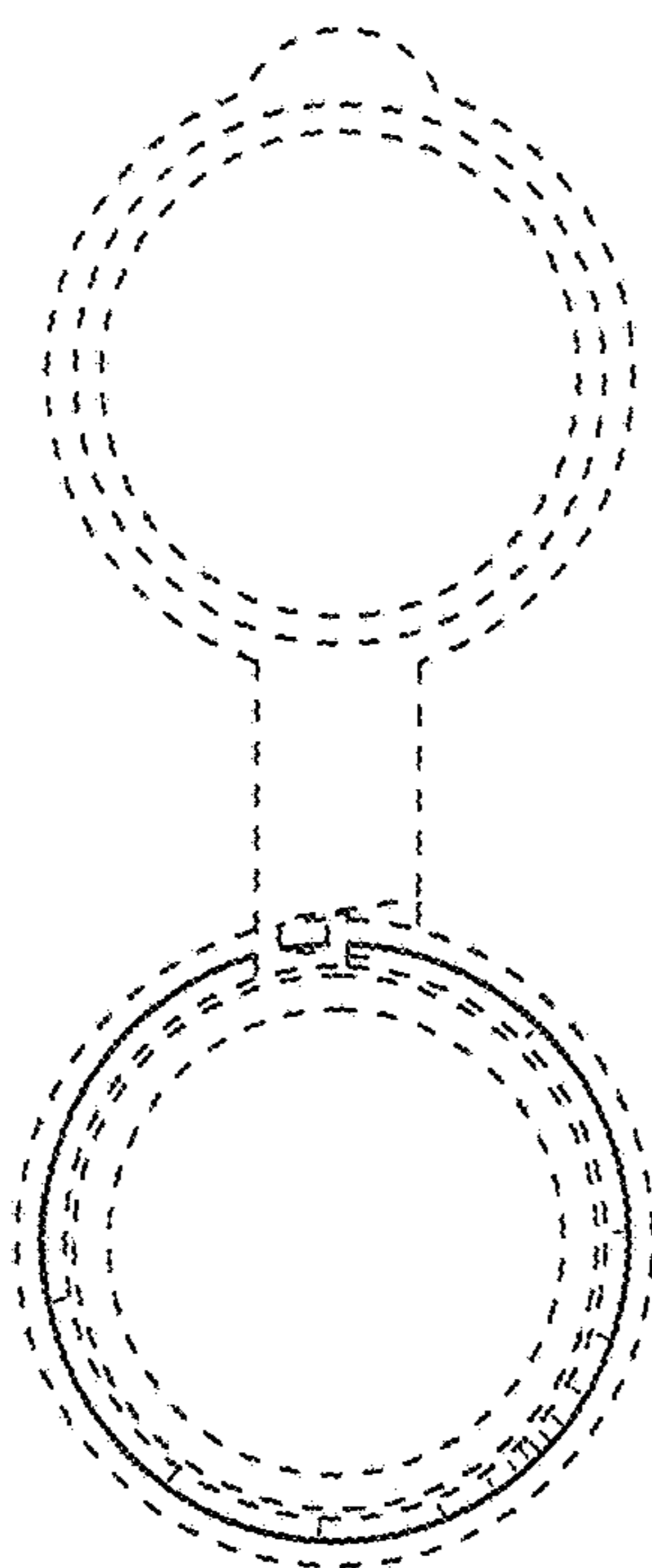


FIG. 6

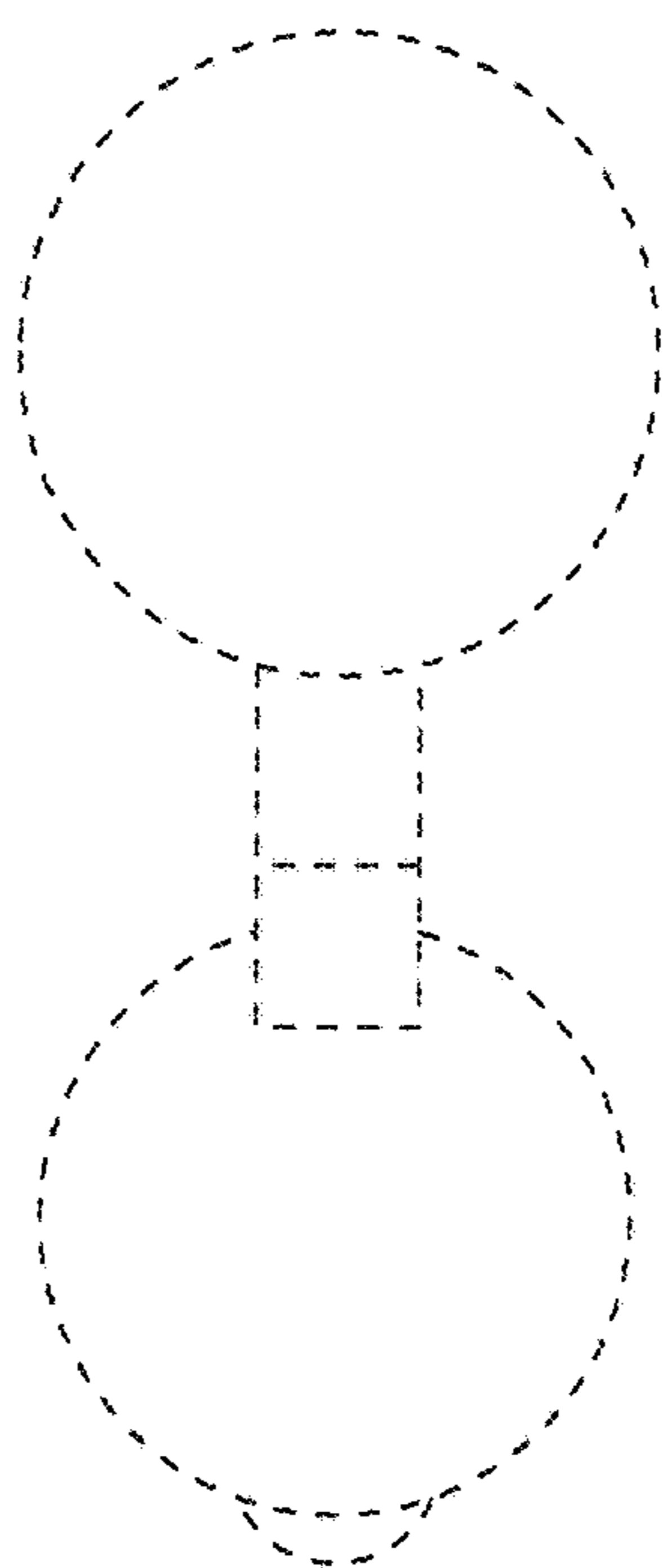


FIG. 7