



US00D836772S

(12) **United States Design Patent** (10) **Patent No.:** **US D836,772 S**
Nandi et al. (45) **Date of Patent:** **** Dec. 25, 2018**

(54) **SYRINGE**

OTHER PUBLICATIONS

(71) Applicant: **Vertice Pharma**, New Providence, NJ (US)

United States Plastic Corp. 10ml Dosing Syringe. Retrieved Jul. 18, 2018. <https://www.usplastic.com/catalog/item.aspx?itemid=101433> 2 pages.

(72) Inventors: **Indranil Nandi**, Bridgewater, NJ (US); **Ketan Hippalgaonkar**, Mount Laurel, NJ (US); **Sunil Vandse**, Baskin Ridge, NJ (US)

(Continued)

Primary Examiner — David G Muller
(74) *Attorney, Agent, or Firm* — Haynes and Boone, LLP

(73) Assignee: **VERTICE PHARMA, LLC**, New Providence, NJ (US)

(57) **CLAIM**
The ornamental design for a syringe, as shown and described.

(**) Term: **15 Years**

DESCRIPTION

(21) Appl. No.: **29/657,824**

(22) Filed: **Jul. 25, 2018**

(51) **LOC (11) Cl.** **24-02**

(52) **U.S. Cl.**
USPC **D24/114**

(58) **Field of Classification Search**
USPC D24/112-114, 108, 133, 130, 127, 186;
606/181, 185; 604/264, 272, 187, 181,
604/184, 227

CPC A61M 5/178; A61M 3/00; A61M 5/20;
A61M 5/31; A61M 5/3146; A61M
5/3129; A61M 5/3148; A61M 5/315

See application file for complete search history.

FIG. 1 is a front perspective view of a syringe showing our new design;
FIG. 2 is a front view thereof;
FIG. 3 is a rear view thereof;
FIG. 4 is a right side view thereof;
FIG. 5 is a left side view thereof;
FIG. 6 is a top view thereof;
FIG. 7 is a bottom view thereof; and,
FIG. 8 is a rear perspective view thereof.

Oblique line shading represents portions of our new design that are transparent or translucent.

Solid gray shading represents a color contrast in the sense that the portions of our new design so shaded, which may be any “color”, for example, red, blue, green, or yellow, are in color contrast with the transparent or translucent portions of our new design.

In FIGS. 1-6 and 8, the solid gray shading varies in tone and thus includes light solid gray shading and dark solid gray shading. The light solid gray shading represents the solid gray shaded portions of our new design when viewed through the transparent or translucent portions of our new design. The dark solid dark gray shading represents the solid gray shaded portions of our new design when not viewed through the transparent or translucent portions of our new design.

(56) **References Cited**

U.S. PATENT DOCUMENTS

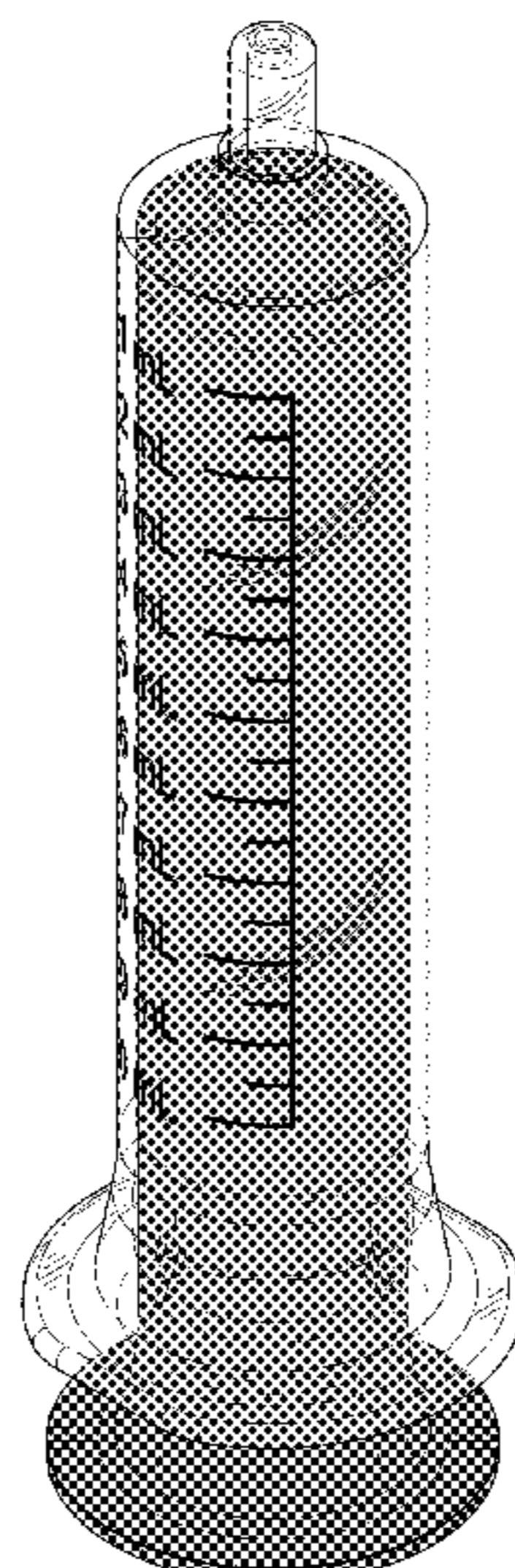
D251,203 S 2/1979 Williamson
4,784,641 A 11/1988 White
4,895,559 A 1/1990 Shippert
5,007,903 A 4/1991 Ellard

(Continued)

FOREIGN PATENT DOCUMENTS

WO WO 2017/072728 5/2017

1 Claim, 5 Drawing Sheets



(56)

References Cited

U.S. PATENT DOCUMENTS

D335,344 S * 5/1993 Hastings D24/114
 5,598,939 A 2/1997 Watson et al.
 D447,797 S * 9/2001 Odell D24/112
 D448,844 S 10/2001 Reis
 D460,181 S * 7/2002 Swenson D24/108
 D460,820 S * 7/2002 Niedoşpial, Jr. D24/130
 6,436,075 B1 * 8/2002 Liao A61M 5/3205
 604/181
 6,764,469 B2 7/2004 Broselow
 D542,406 S 5/2007 Knight et al.
 D545,429 S * 6/2007 Hays D24/114
 D667,950 S * 9/2012 Hyun D24/130
 D674,086 S * 1/2013 Khalaj D24/114
 D694,638 S * 12/2013 Baker D24/114
 8,992,488 B2 3/2015 Ingram et al.
 9,345,638 B2 5/2016 Ferrara
 D771,807 S * 11/2016 Zalewski D24/130
 9,566,388 B1 2/2017 Jones
 9,579,259 B2 2/2017 Fernandez
 D780,913 S * 3/2017 Murasawa D24/130
 9,682,195 B2 6/2017 Tucker
 D792,579 S * 7/2017 Ohashi D24/114
 D804,651 S * 12/2017 Loonan D24/114
 2012/0216909 A1 8/2012 Levy
 2015/0043102 A1 2/2015 Cojocariu et al.
 2017/0014310 A1 1/2017 Hyun et al.
 2017/0182249 A1 6/2017 Lee et al.
 2017/0296434 A1 10/2017 Aiken et al.
 2017/0304152 A1 10/2017 Hernandez
 2018/0043102 A1 2/2018 Cojocariu et al.
 2018/0117258 A1 5/2018 Bisegna et al.

OTHER PUBLICATIONS

MedicalProductsSupply.com Comar Oral Dispensers with Tip Caps, 10mL—Green Plunger. Retrieved Jul. 18, 2018. <https://>

medicalproductssupply.com/comar-oral-dispensers-with-tip-caps-10ml-green-plunger.html 3 pages.
 Buontempo et al., Extemporaneous clobazam suspensions for paediatric use prepared from commercially available tablets and pure drug, *Farm hosp.* 2013; 37(2): pp. 103-110.
 Grissinger, Oral Syringes: Making Better Use of a Crucial and Economical Risk-Reduction Strategy, *Medication Errors*, vol. 38 No. 1, Jan. 2013, pp. 5-6.
 Wu et al., Effects of Conversion from Sirolimus Oral Solution to Tablets in Stable Taiwanese Renal Transplant Recipients, *J Formos Med Assoc* 2005; 104: pp. 22-28.
 AAASWholesaleCompany.com Oral Dispenser Syringe with Round Flange. Retrieved Jul. 18, 2018. <https://www.aaawholesalecompany.com/hea-17234w-pk.html> 3 pages.
 The Betty Mills Company Medtronic Monoject 10 mL Oral Dispenser Syringe, Individual Pack Oral Tip Without Safety. Retrieved Jul. 18, 2018. <https://www.bettymills.com/monoject-10-ml-oral-dispenser-syringe-individual-pack-oral-tip-without-safety-410s?referer=search> 2 pages.
 The Betty Mills Company Medtronic Monoject Oral Dispenser Syringe, 3 mL, Oral Tip, Without Safety. Retrieved Jul. 18, 2018. <https://www.bettymills.com/monoject-oral-dispenser-syringe-3-ml-403s?referer=search> 3 pages.
 VitalityMedical.com Oral Syringes Store Amber Syringes—Clear Syringes—Beckton Dickinson—BD. Retrieved Jul. 18, 2018. <https://www.vitalitymedical.com/oral-syringe.html>.
 NeoMedinc.com Pharmacy Syringes. Retrieved Jul. 18, 2018. <https://www.neomedinc.com/product/bulk-packaged-pharmacy-syringe-enteral/> 3 pages.
 Medidose.com Oral Syringes/Dispensers. Retrieved Jul. 18, 2018. <http://www.medidose.com/Oral-Syringes-Dispensers.aspx> 4 pages.
 BaxterMedicationDeliveryProducts.com Oral and Enteral Systems, Topical Dispensers. Retrieved Jul. 18, 2018. <http://baxtermedicationdeliveryproducts.com/pharmacy-workflow/oralenteral.html> 1 page.

* cited by examiner

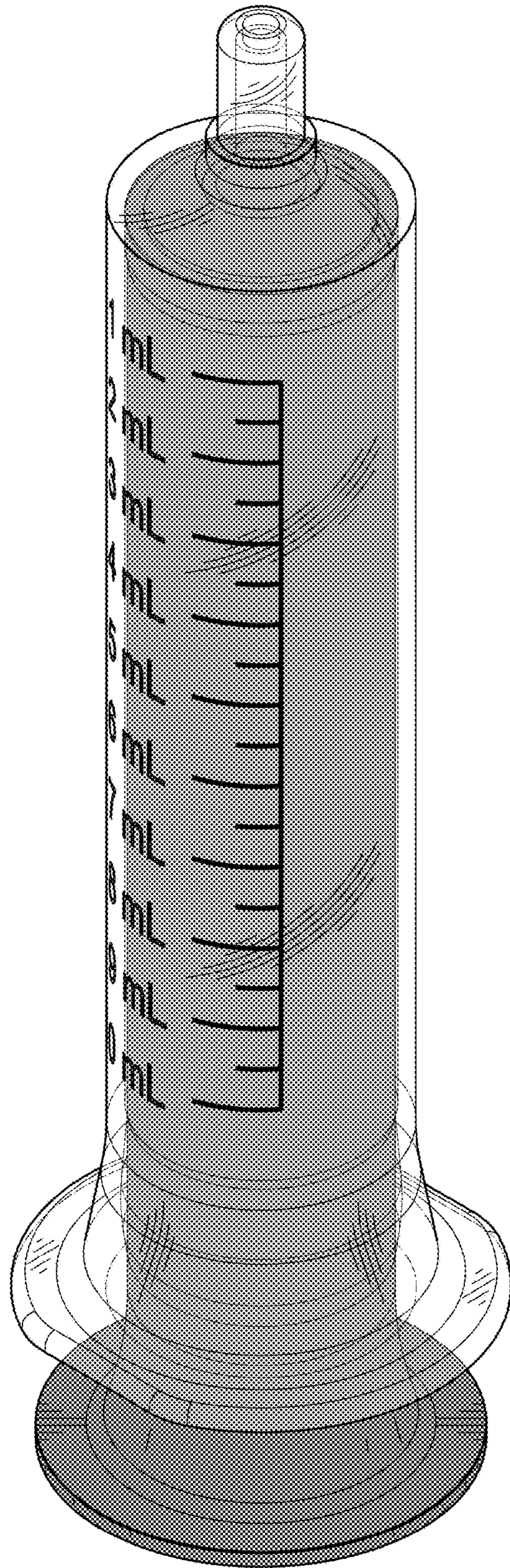


Fig. 1

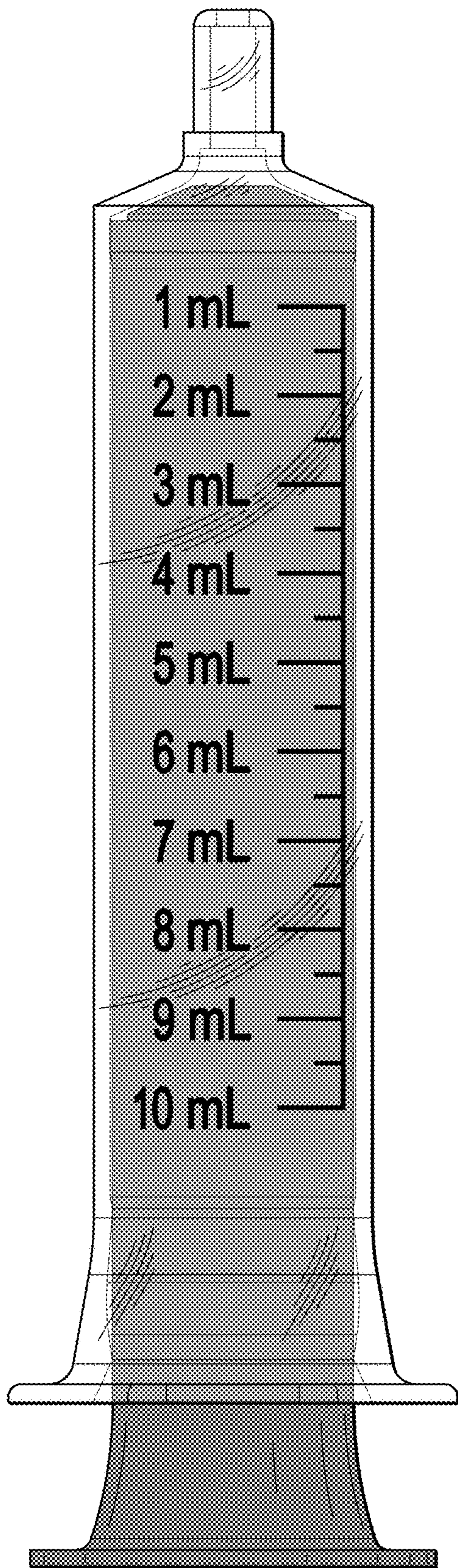


Fig. 2

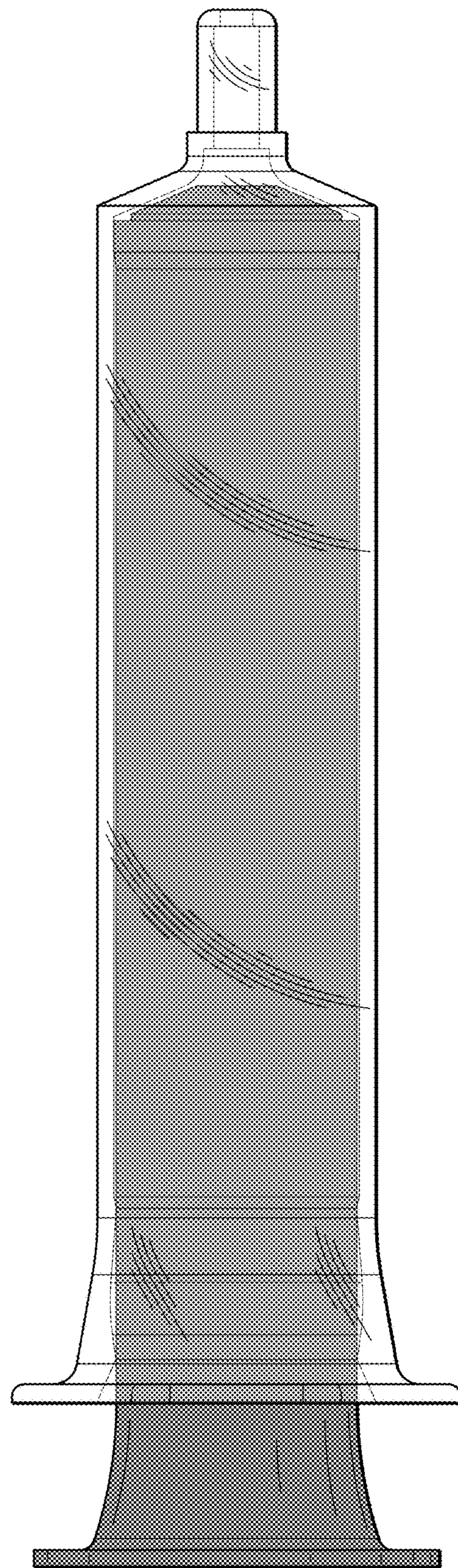


Fig. 3

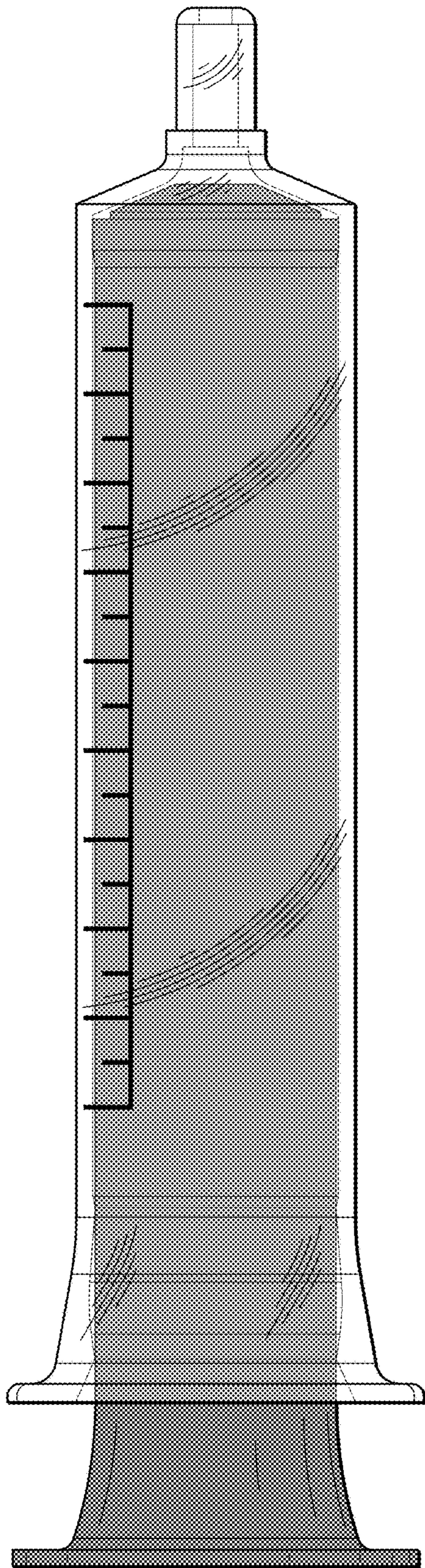


Fig 4

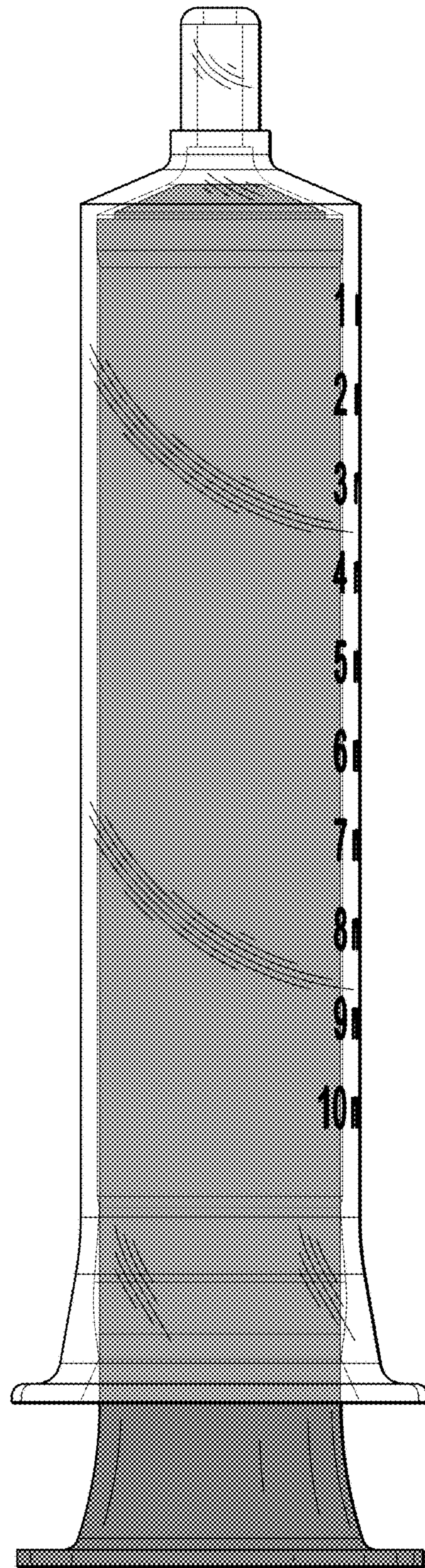


Fig 5

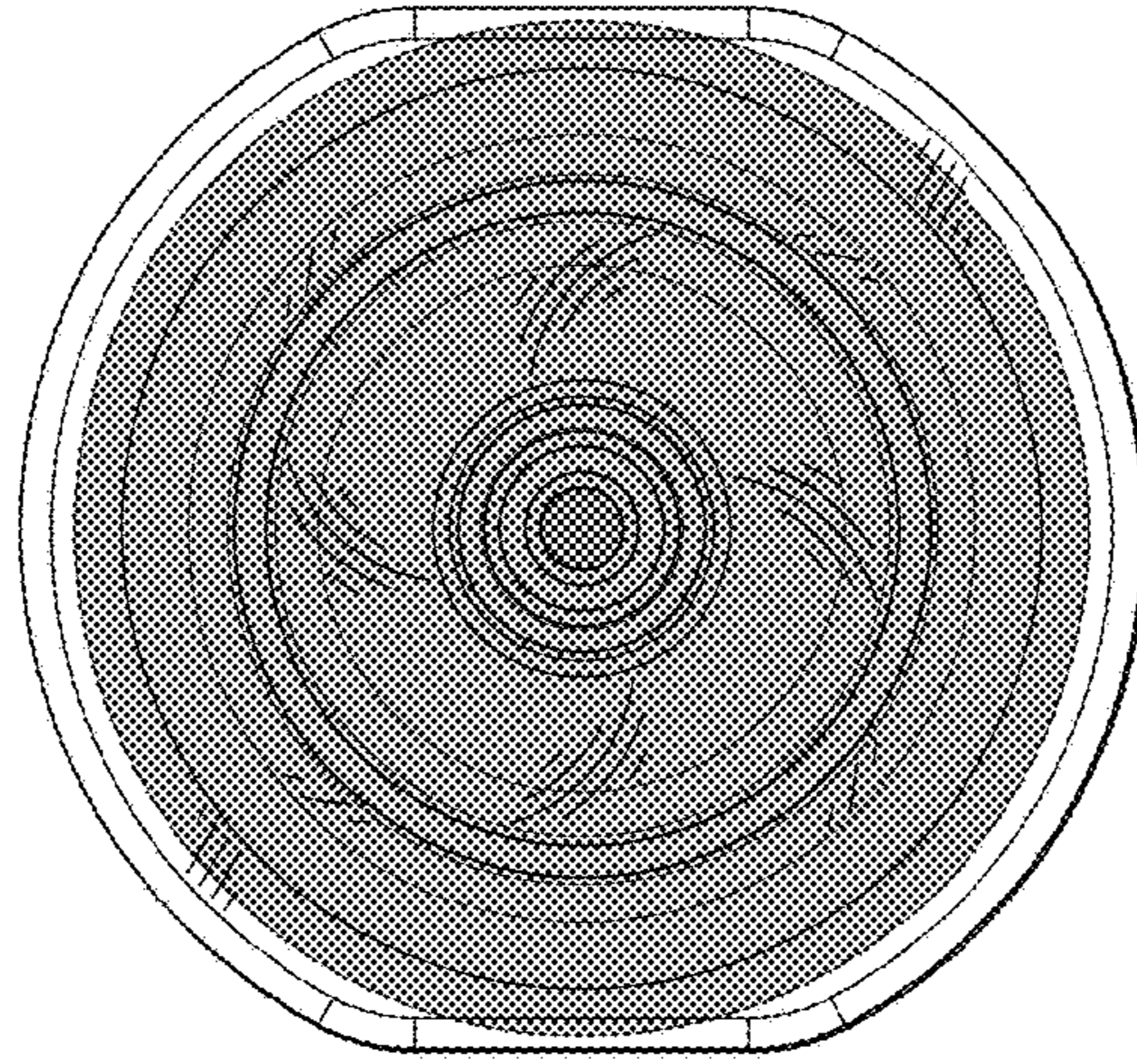


Fig. 6

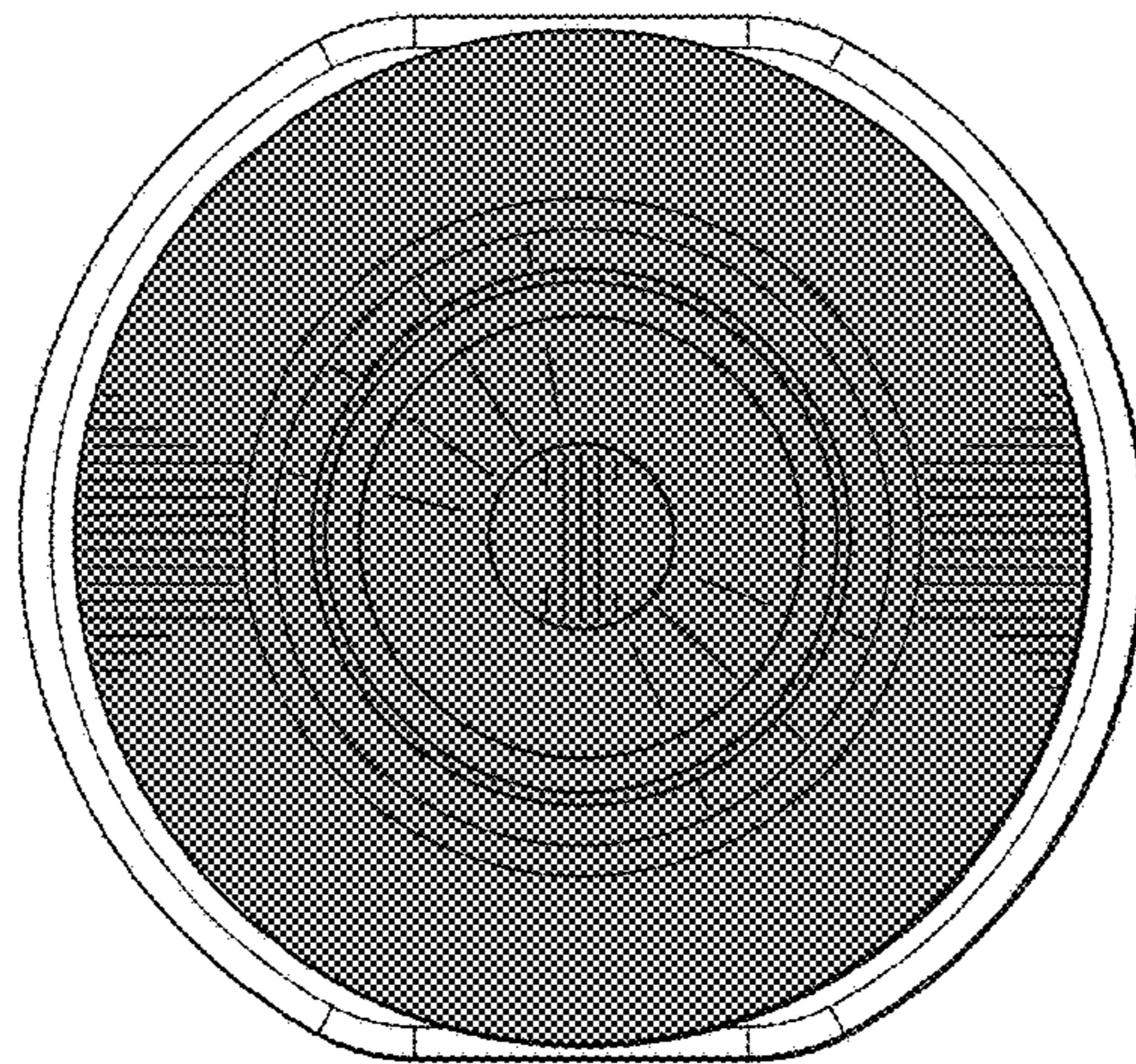


Fig. 7

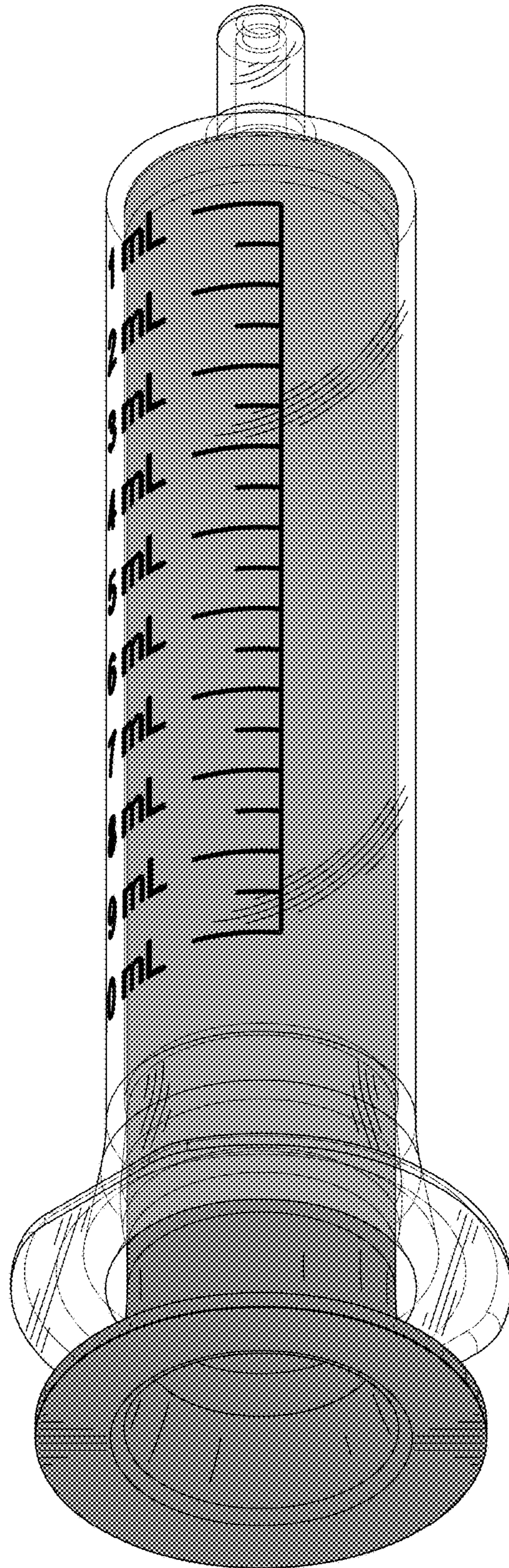


Fig. 8