



US00D836766S

(12) **United States Design Patent**
He et al.

(10) **Patent No.:** **US D836,766 S**

(45) **Date of Patent:** **** Dec. 25, 2018**

- (54) **BLOWER FAN**
- (71) Applicant: **JIANGMEN KEYE ELECTRIC APPLIANCES MANUFACTURING CO., LTD**, Jiangmen, Guangdong Province (CN)
- (72) Inventors: **Xiangming He**, Jiangmen (CN); **Guanglian Lin**, Jiangmen (CN)
- (73) Assignee: **JIANGMEN KEYE ELECTRIC APPLIANCES MANUFACTURING CO., LTD**, Jiangmen, Guangdong Province (CN)

4,424,006	A *	1/1984	Armbruster	F21V 33/0088
				417/234
5,555,643	A *	9/1996	Guasch	E04B 1/7092
				15/405
D482,772	S *	11/2003	Dooley	D23/383
D512,500	S *	12/2005	Wilson, Jr.	D23/383
D512,501	S *	12/2005	Wilson, Jr.	D23/383
D530,002	S *	10/2006	Ching	D23/317
D566,823	S *	4/2008	Lewis	D23/383
D594,962	S *	6/2009	Lewis	D23/383
D704,908	S *	5/2014	Cui	D23/383
D810,269	S *	2/2018	Sanders	D23/383
2016/0175472	A1 *	6/2016	Tan	A61L 9/122
				422/4

* cited by examiner

(**) Term: **15 Years**

Primary Examiner — Janice Hallmark

(21) Appl. No.: **29/626,565**

(74) *Attorney, Agent, or Firm* — Innovation Capital Law Group, LLP; Vic Lin

(22) Filed: **Nov. 17, 2017**

(51) **LOC (11) Cl.** **23-04**

(52) **U.S. Cl.**
USPC **D23/383**

(57) **CLAIM**

(58) **Field of Classification Search**
 USPC D23/370–387, 411–414, 365, 355, 342,
 D23/332, 328, 337, 335, 314, 393;
 415/60, 66, 68, 208.1, 213.1, 214.1,
 415/209.3; 310/257; 361/695;
 126/299 D, 299 R; D32/8, 15;
 416/210 R
 CPC F01D 9/042; F04D 25/08; F04D 29/70;
 F04D 29/34; F04D 19/00; F24F 7/007;
 F24F 13/082; F24F 7/065; F24F 13/078
 See application file for complete search history.

The ornamental design for a blower fan, as shown and described.

DESCRIPTION

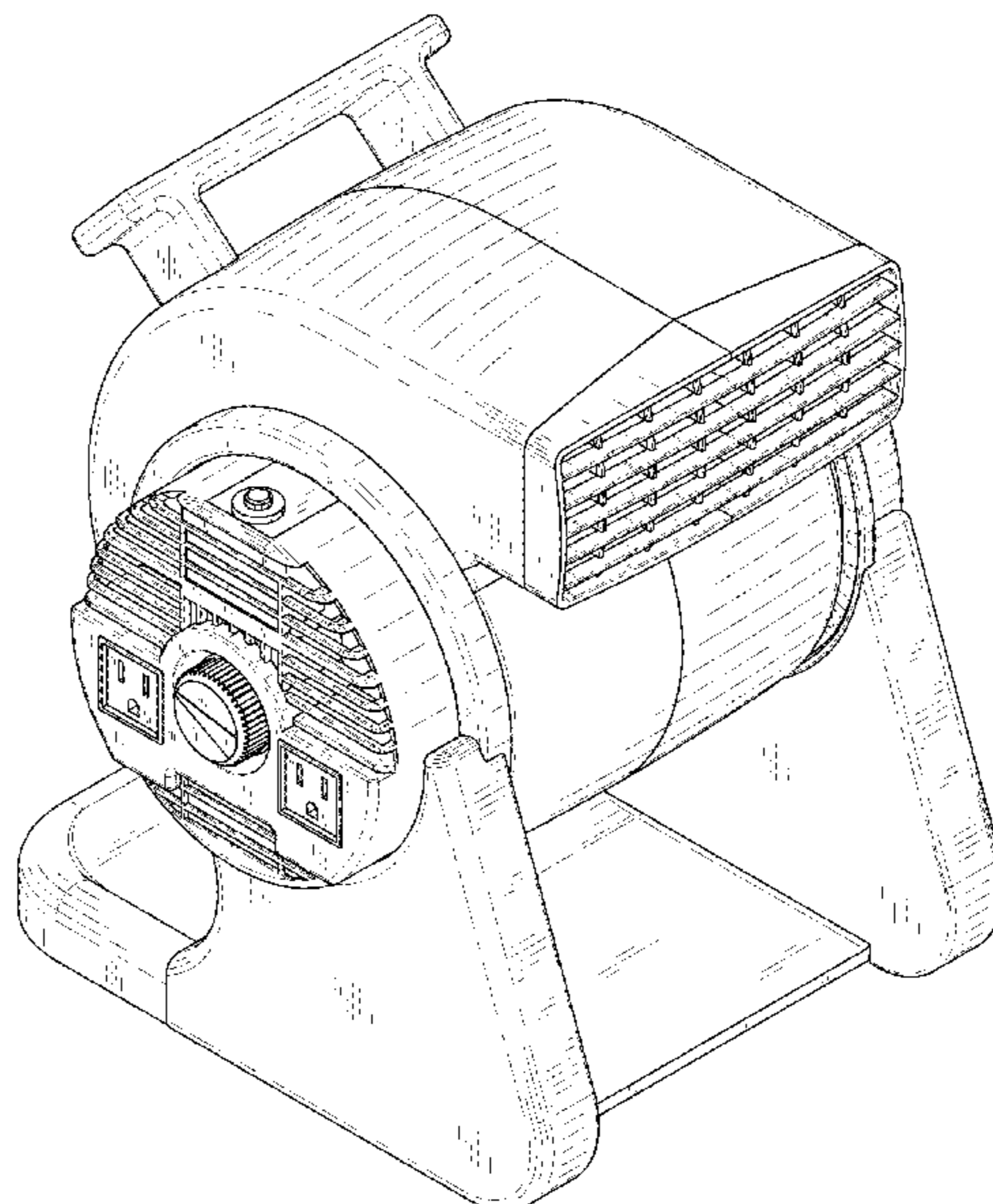
FIG. 1 is a front elevation view of a blower fan;
 FIG. 2 is a rear elevation view thereof;
 FIG. 3 is a left elevation view thereof;
 FIG. 4 is a right elevation view thereof;
 FIG. 5 is a top plan view thereof;
 FIG. 6 is a bottom plan view thereof; and,
 FIG. 7 is a perspective view thereof.

(56) **References Cited**

U.S. PATENT DOCUMENTS

D152,778	S *	2/1949	Fox	D23/370
D269,116	S *	5/1983	Armbruster	D23/328

1 Claim, 7 Drawing Sheets



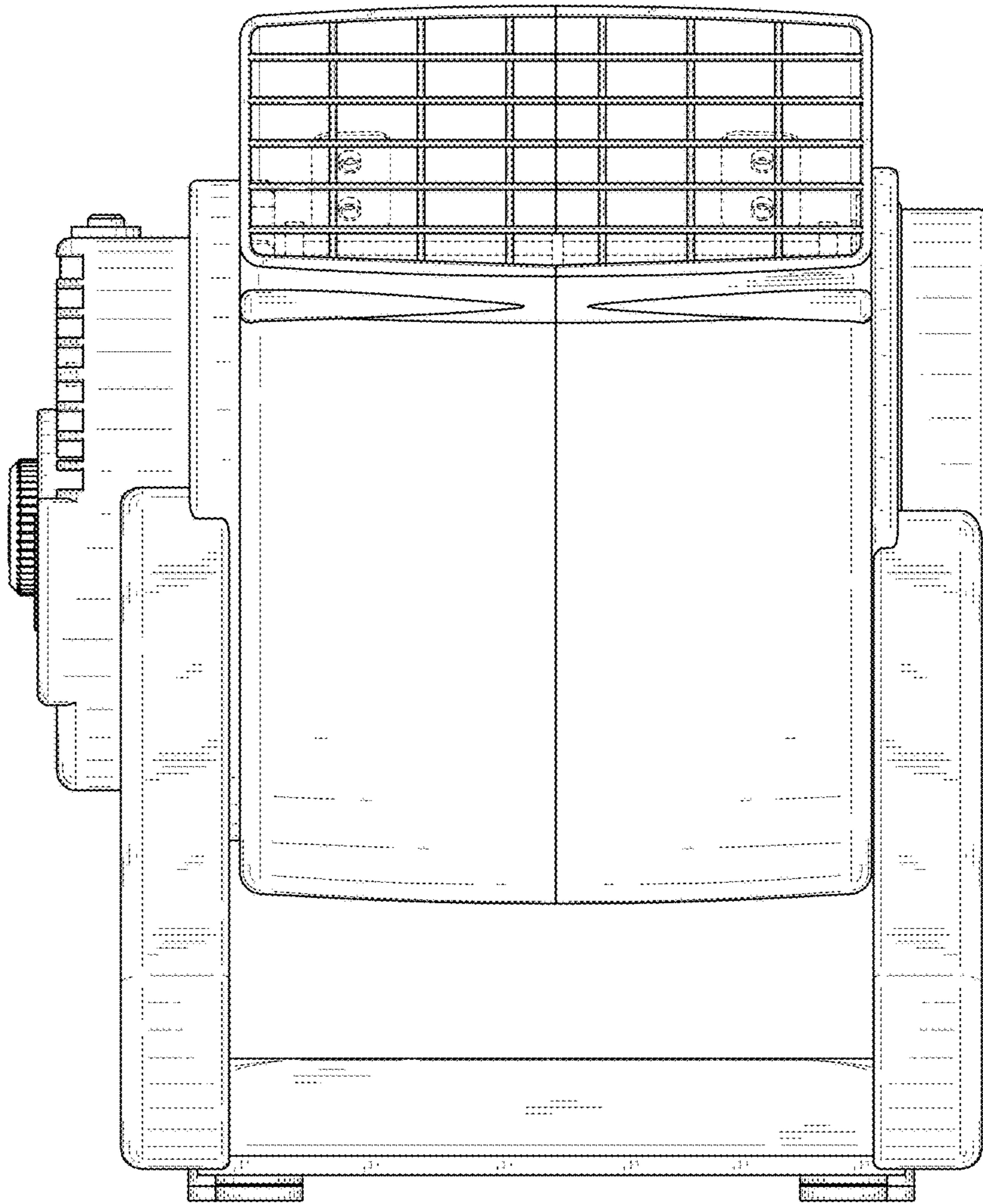


FIG. 1

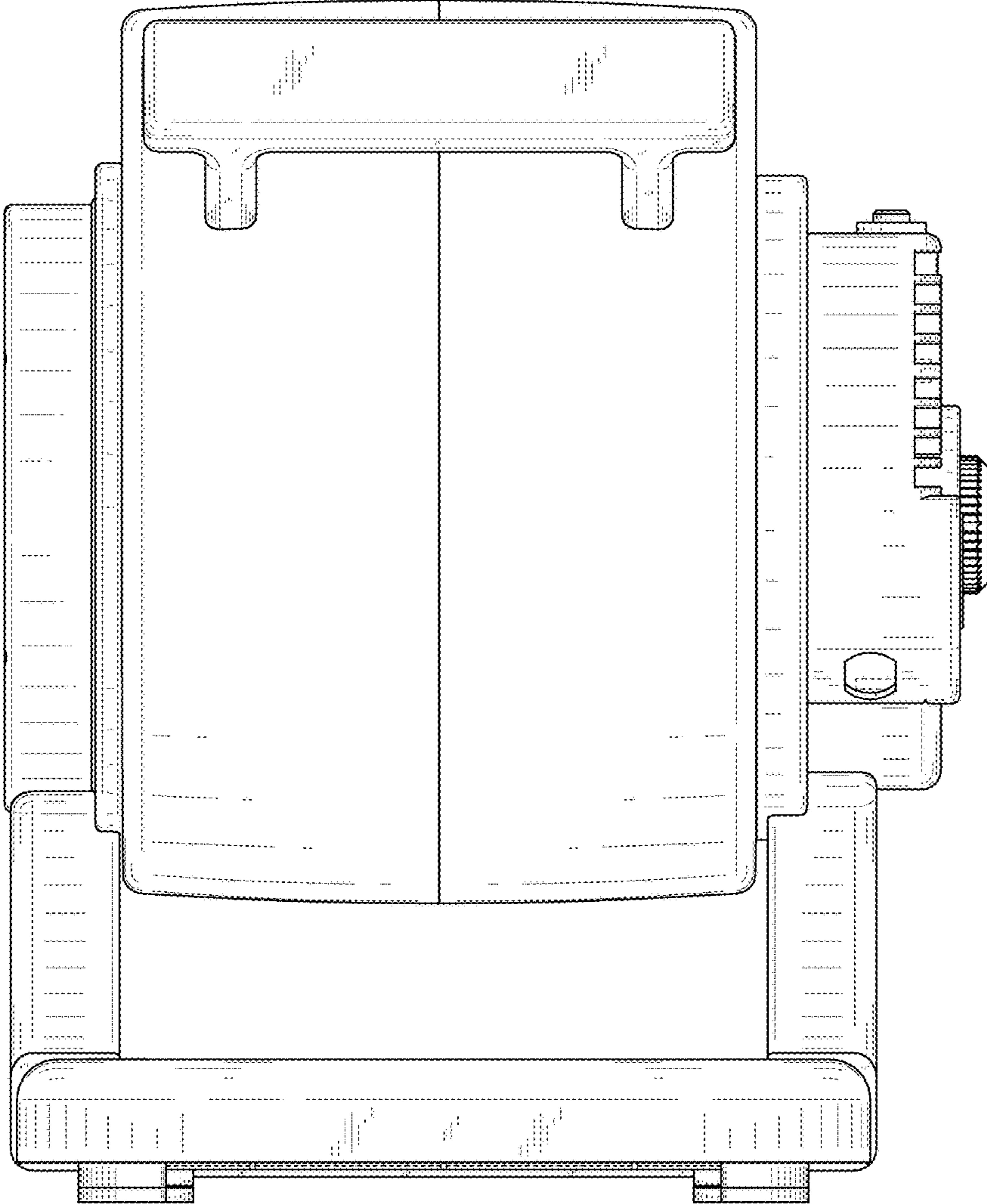


FIG. 2

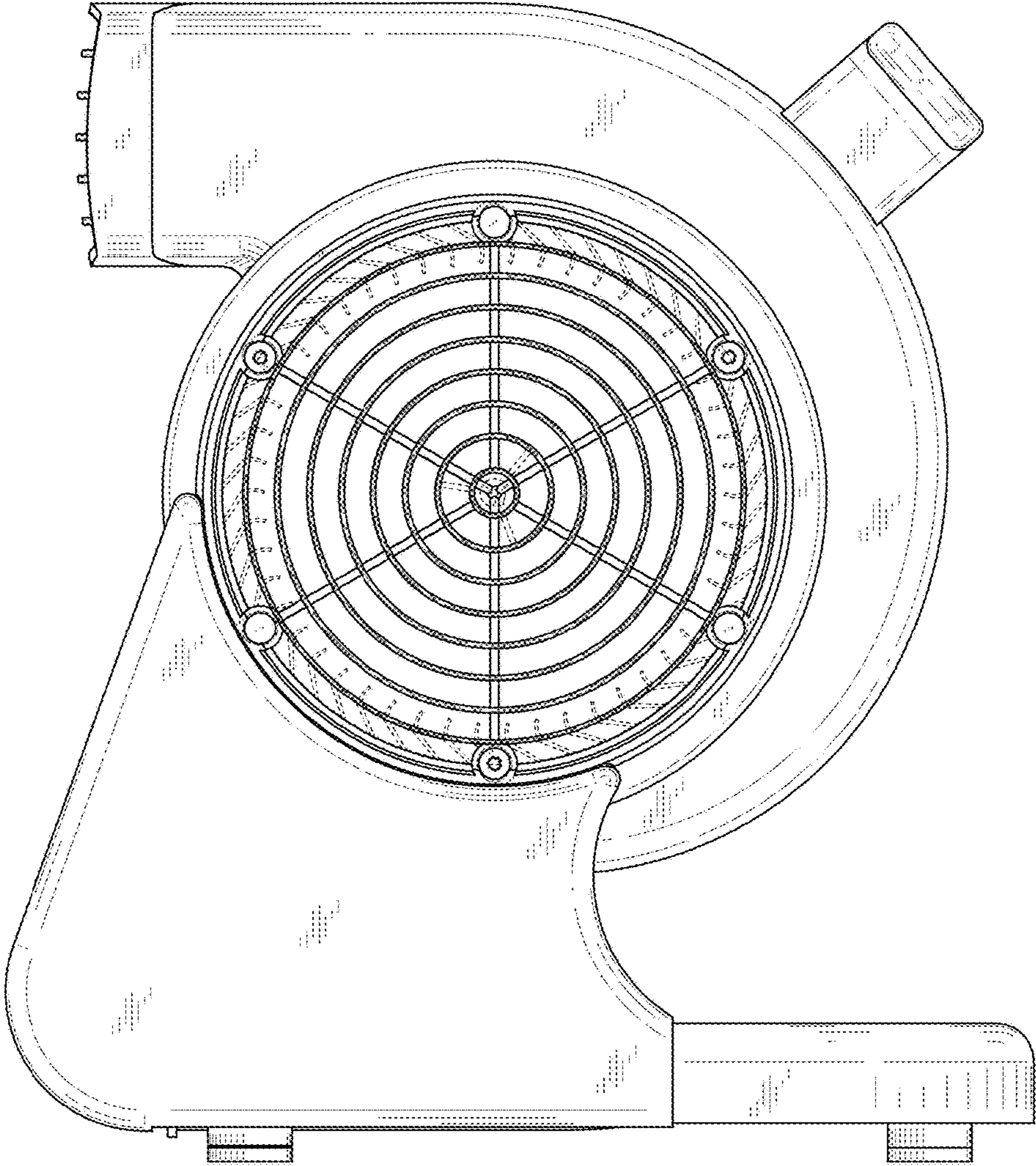


FIG. 3

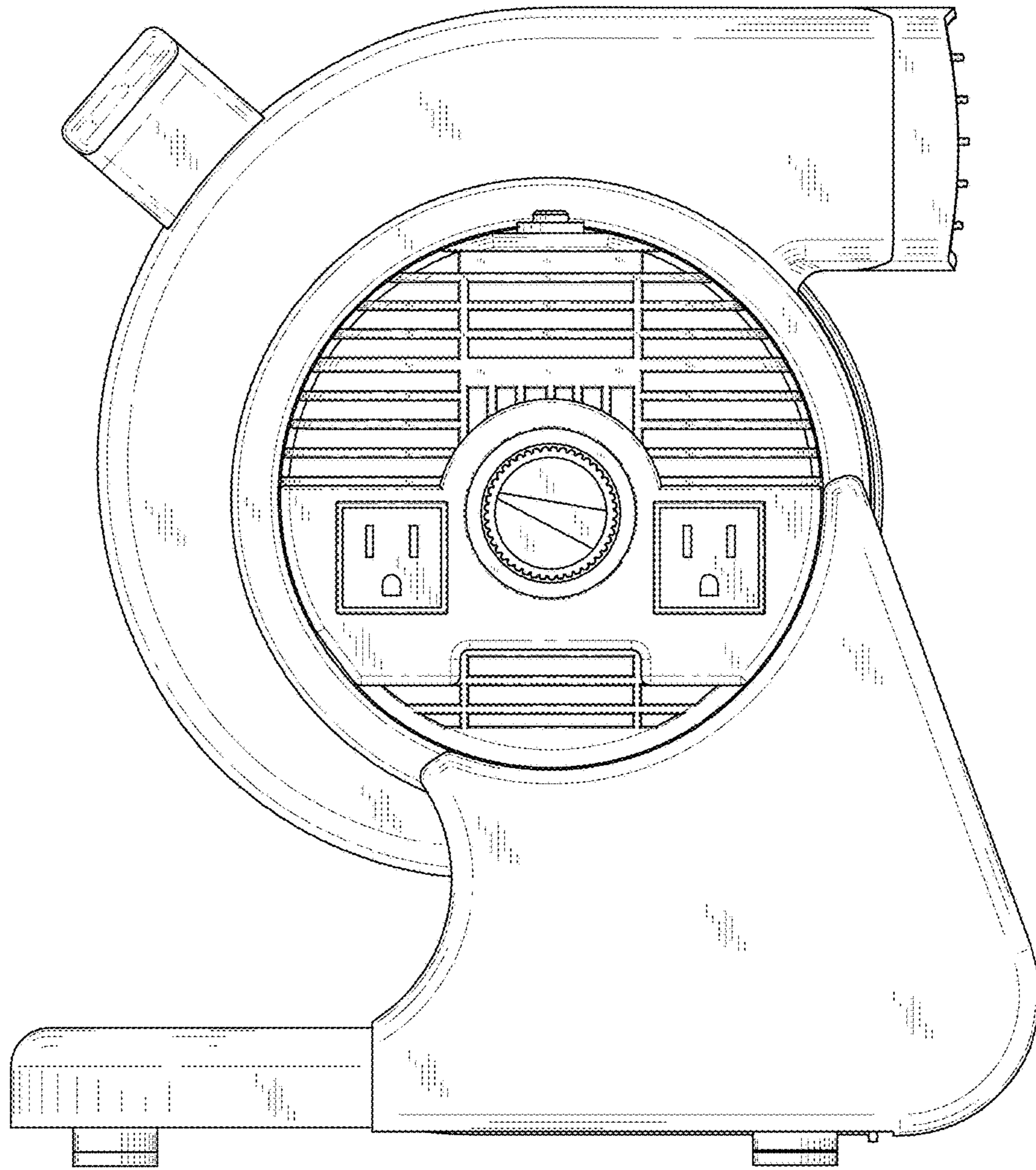


FIG. 4

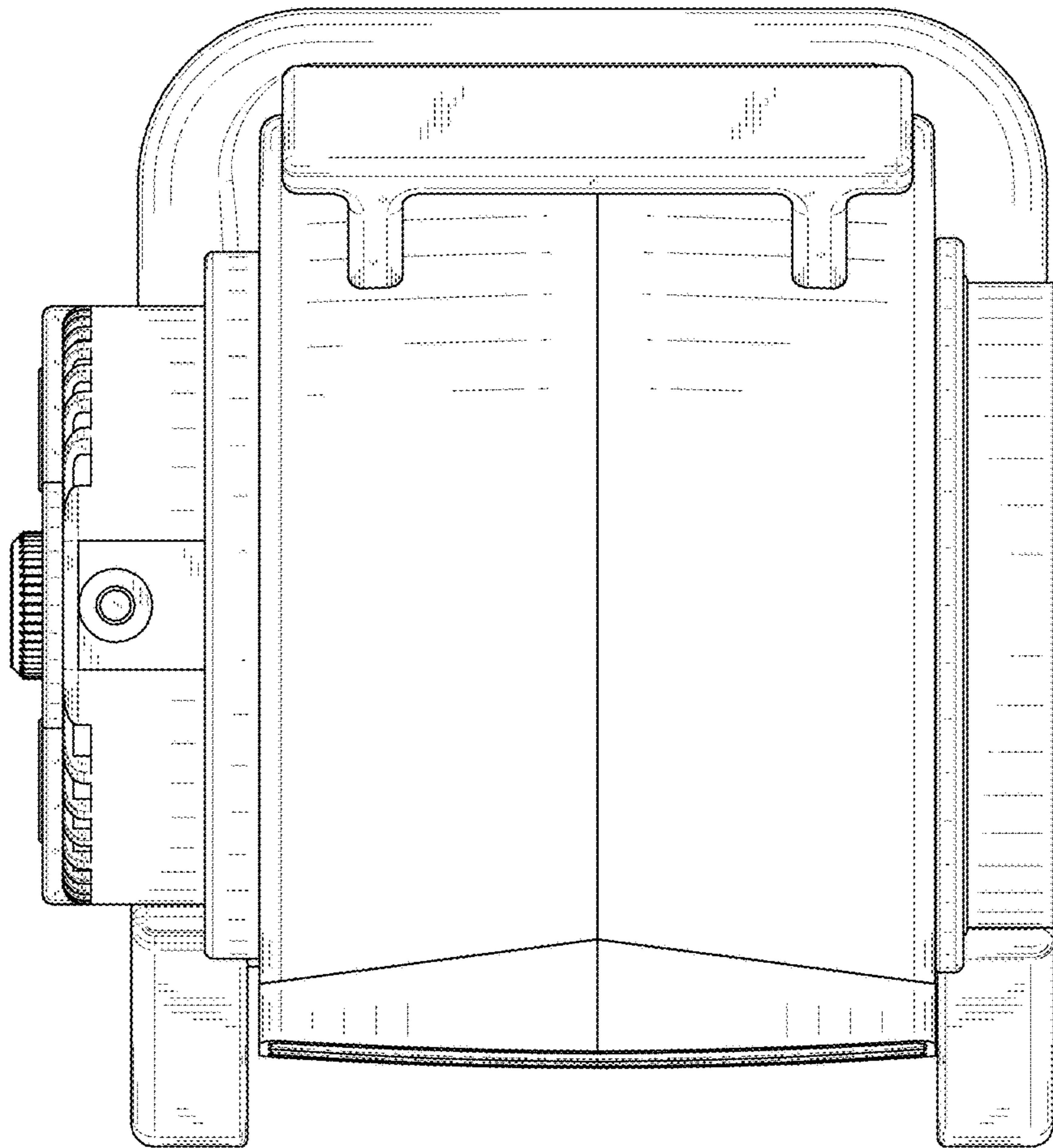


FIG. 5

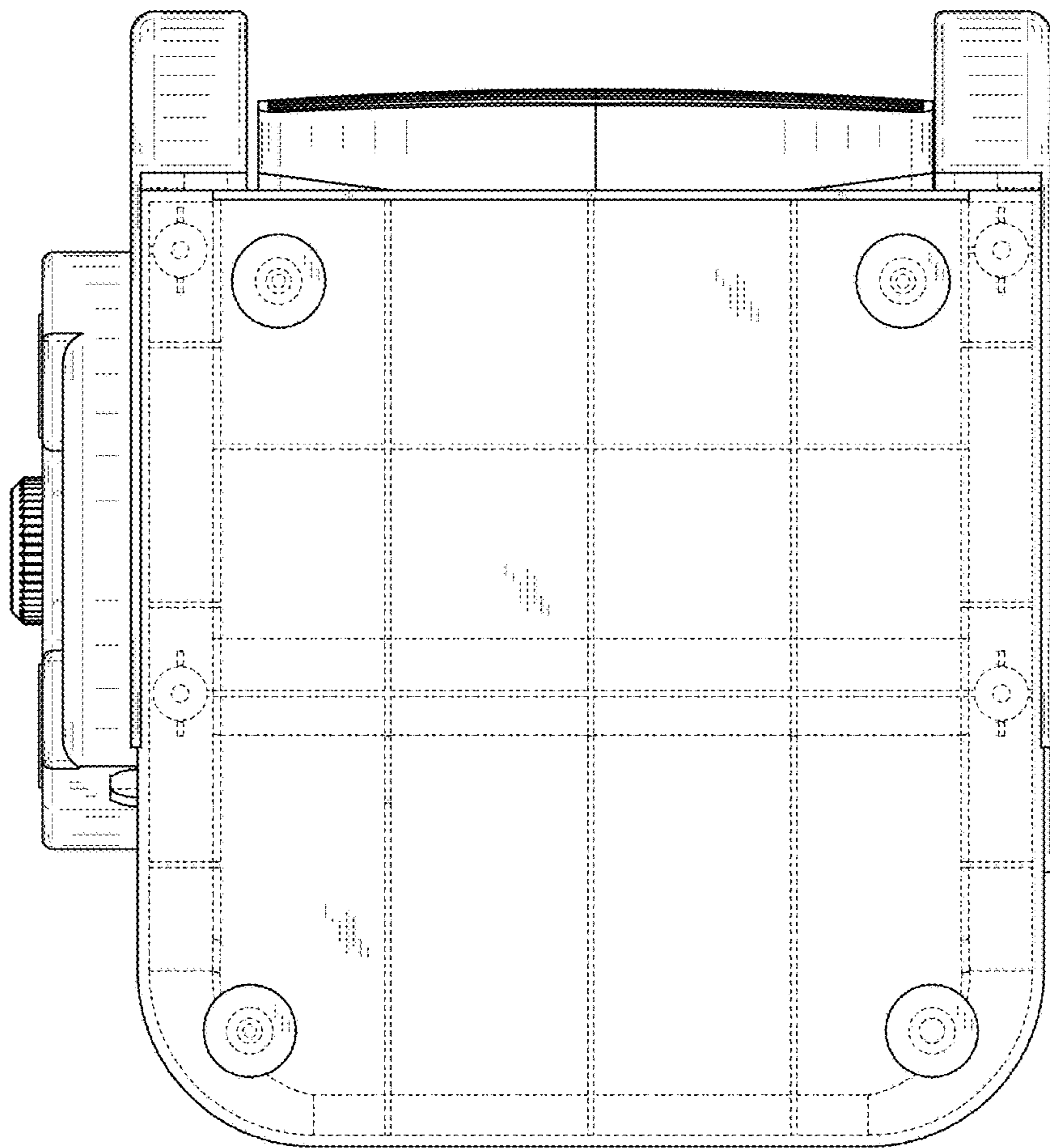


FIG. 6

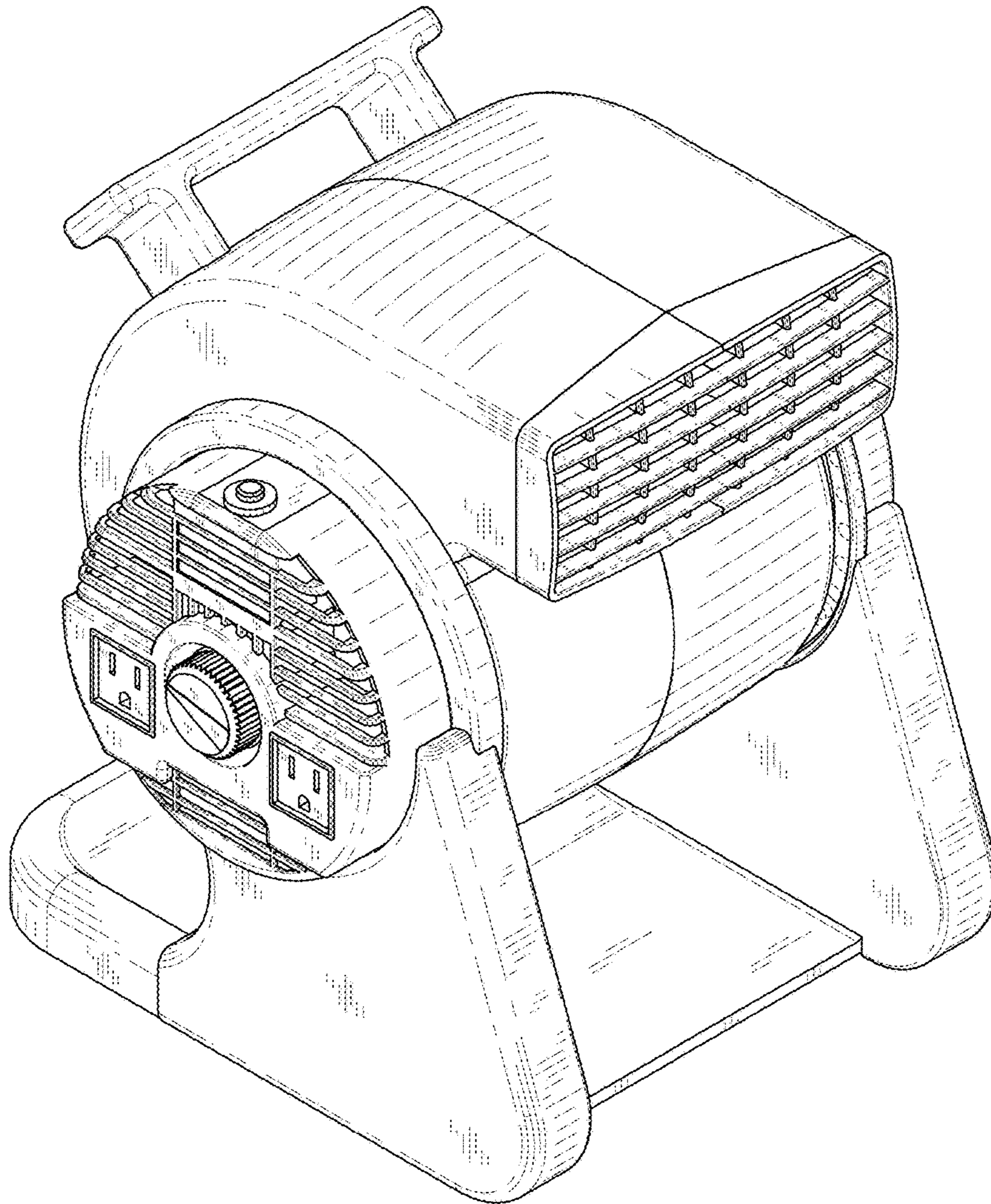


FIG. 7