



US00D836764S

(12) **United States Design Patent** (10) **Patent No.:** **US D836,764 S**
Avidor et al. (45) **Date of Patent:** **** Dec. 25, 2018**

(54) **FRAGRANCE MACHINE**
(71) Applicant: **Agan Aroma & fine chemicals Ltd.,**
Ashdod (IL)
(72) Inventors: **Yoav Avidor, Tel-Aviv (IL); Gustavo**
Turkieltaub, Tel-Aviv (IL); Andres
Wainstein, Ramat-Gan (IL)
(73) Assignee: **Agan Aroma & fine chemicals Ltd.,**
Ashdod (IL)
(**) Term: **15 Years**
(21) Appl. No.: **29/592,756**
(22) Filed: **Feb. 2, 2017**
(51) **LOC (11) Cl.** **23-04**
(52) **U.S. Cl.**
USPC **D23/366**
(58) **Field of Classification Search**
USPC D23/355-369, 393; D14/409; D8/300
CPC A61L 9/02; A61L 9/03; A61L 9/12; A61L
9/035; A61L 9/125
See application file for complete search history.

D716,433 S * 10/2014 Milon A61L 9/03
D23/366
2016/0325002 A1* 11/2016 Hsiao A61L 9/12
2017/0182199 A1* 6/2017 Cardinal A01M 1/2027
2017/0360979 A1* 12/2017 Avidor A61L 9/035
2017/0360981 A1* 12/2017 Avidor A61L 9/125

FOREIGN PATENT DOCUMENTS

CN 107088232 A * 8/2017

* cited by examiner

Primary Examiner — Sheryl Lane
Assistant Examiner — Calvin E Vansant

(57) **CLAIM**

The ornamental design for a fragrance machine, as shown.

DESCRIPTION

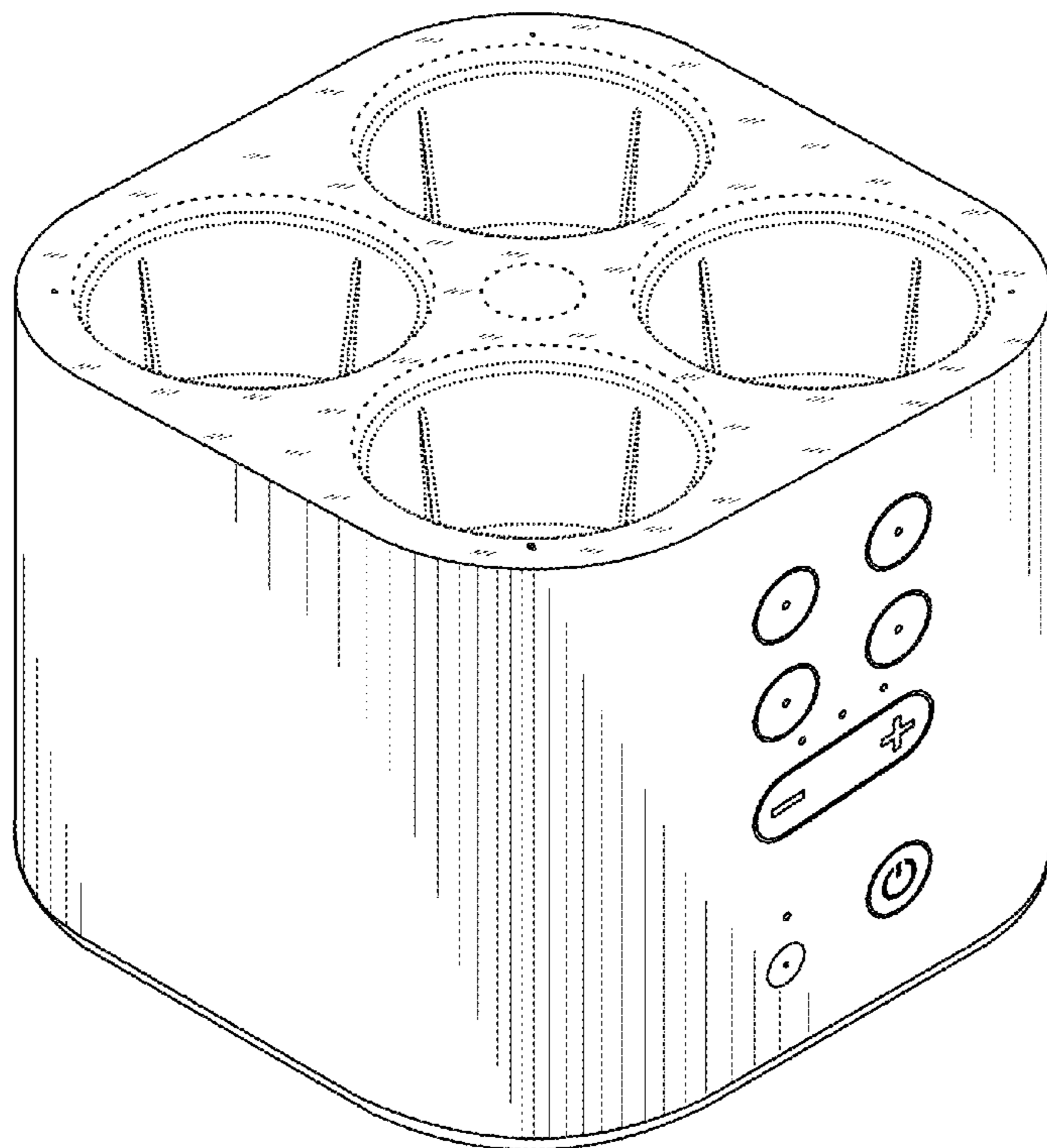
FIG. 1 is a front view of a fragrance machine showing our new design;
FIG. 2 is a rear view thereof;
FIG. 3 is a side view thereof;
FIG. 4 is a top view thereof;
FIG. 5 is a bottom view thereof; and,
FIG. 6 is a perspective view thereof.
The portions of the article shown in broken lines form no part of the claimed design.

(56) **References Cited**

U.S. PATENT DOCUMENTS

3,193,261 A * 7/1965 Nesbitt F24F 6/06
261/142
D716,431 S * 10/2014 Carter D23/365

1 Claim, 6 Drawing Sheets



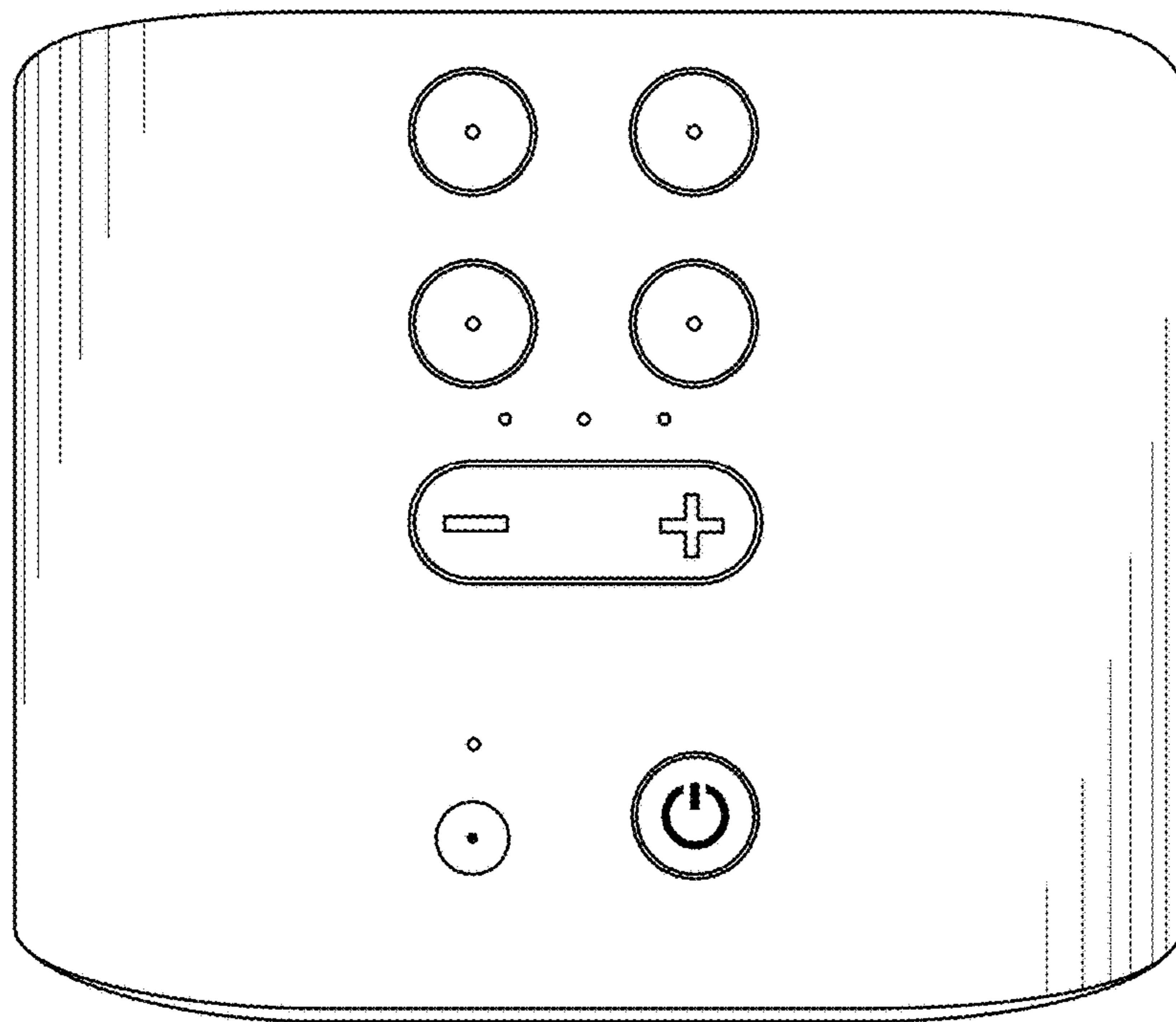


FIG. 1

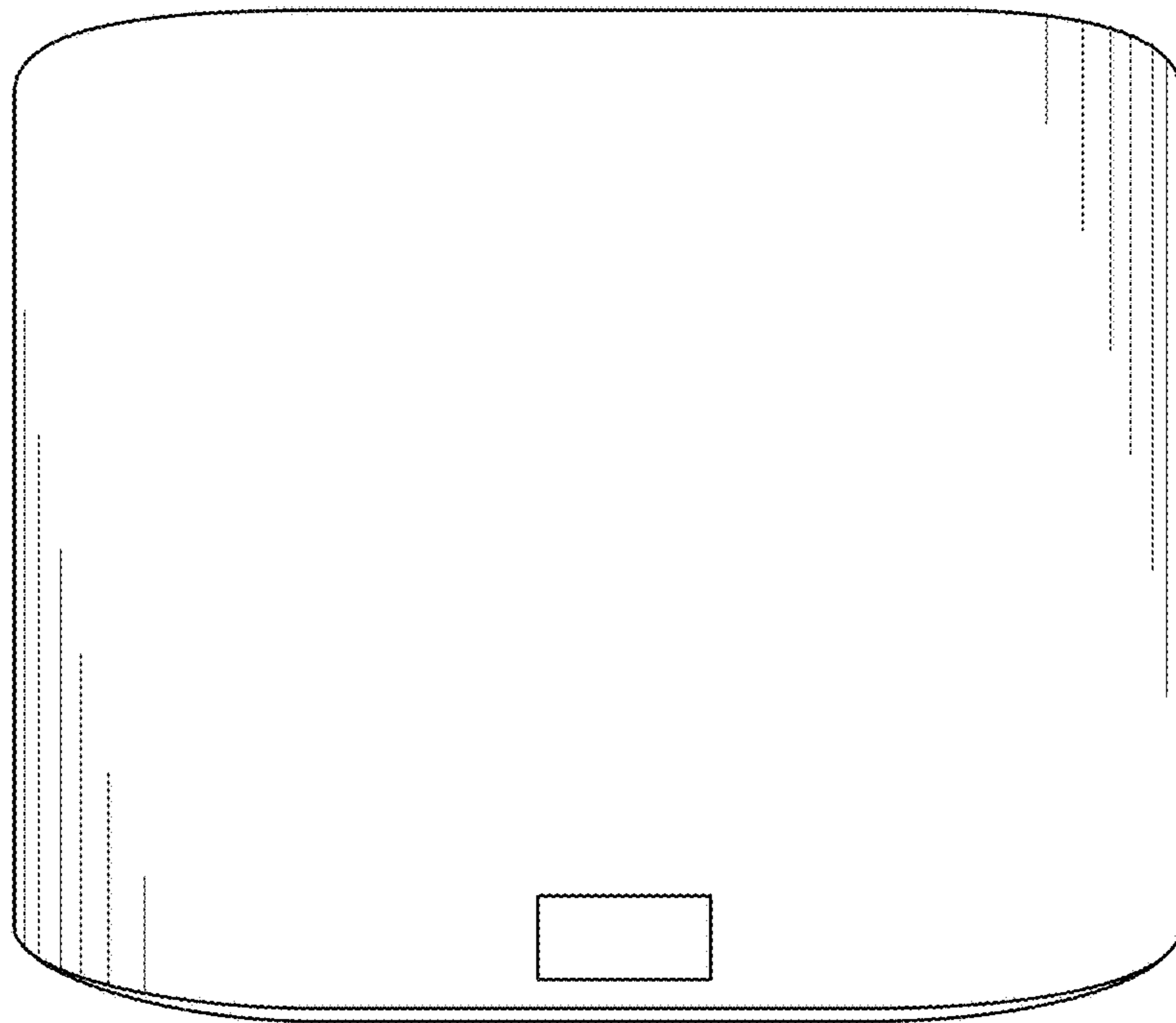


FIG. 2

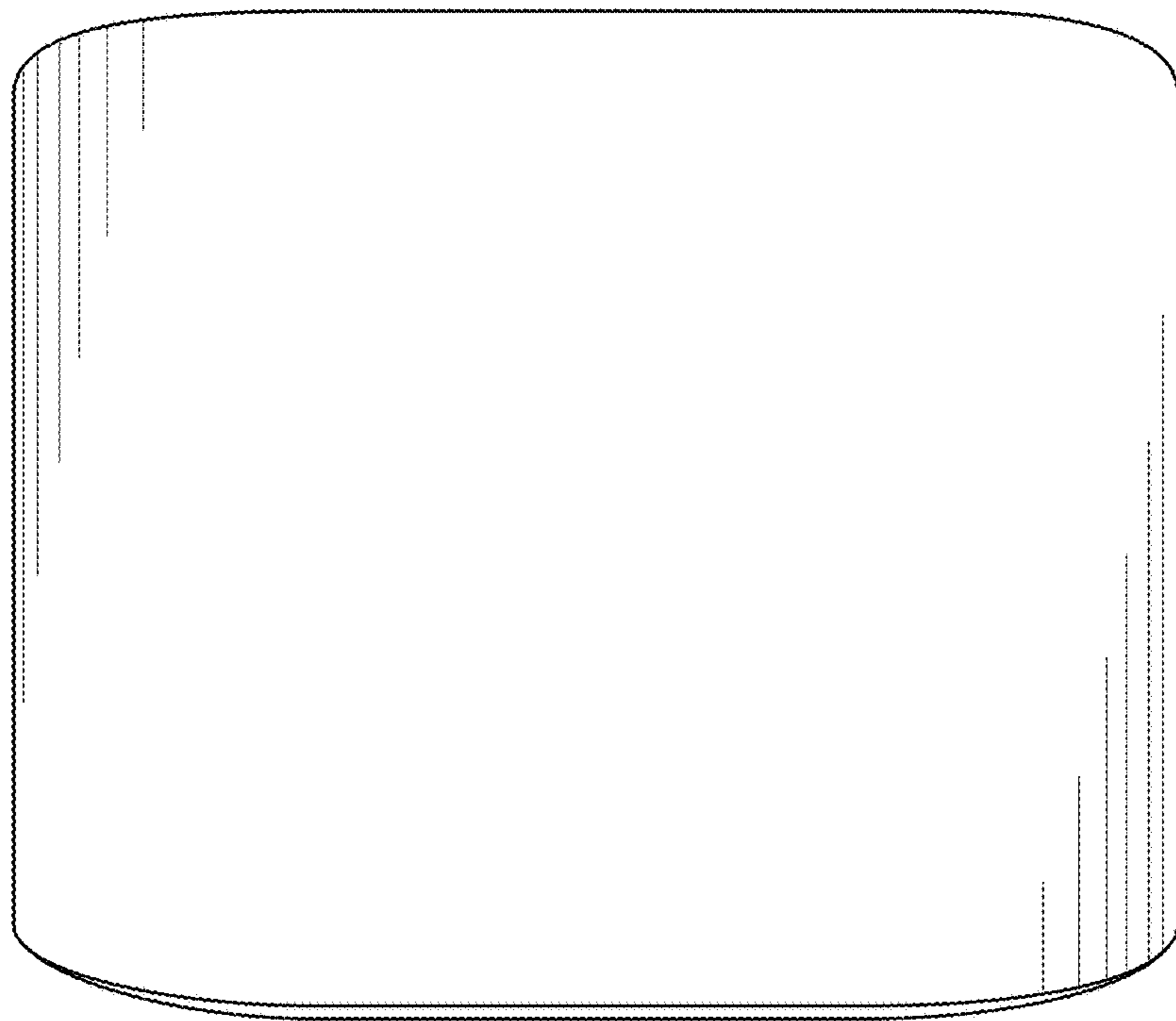


FIG. 3

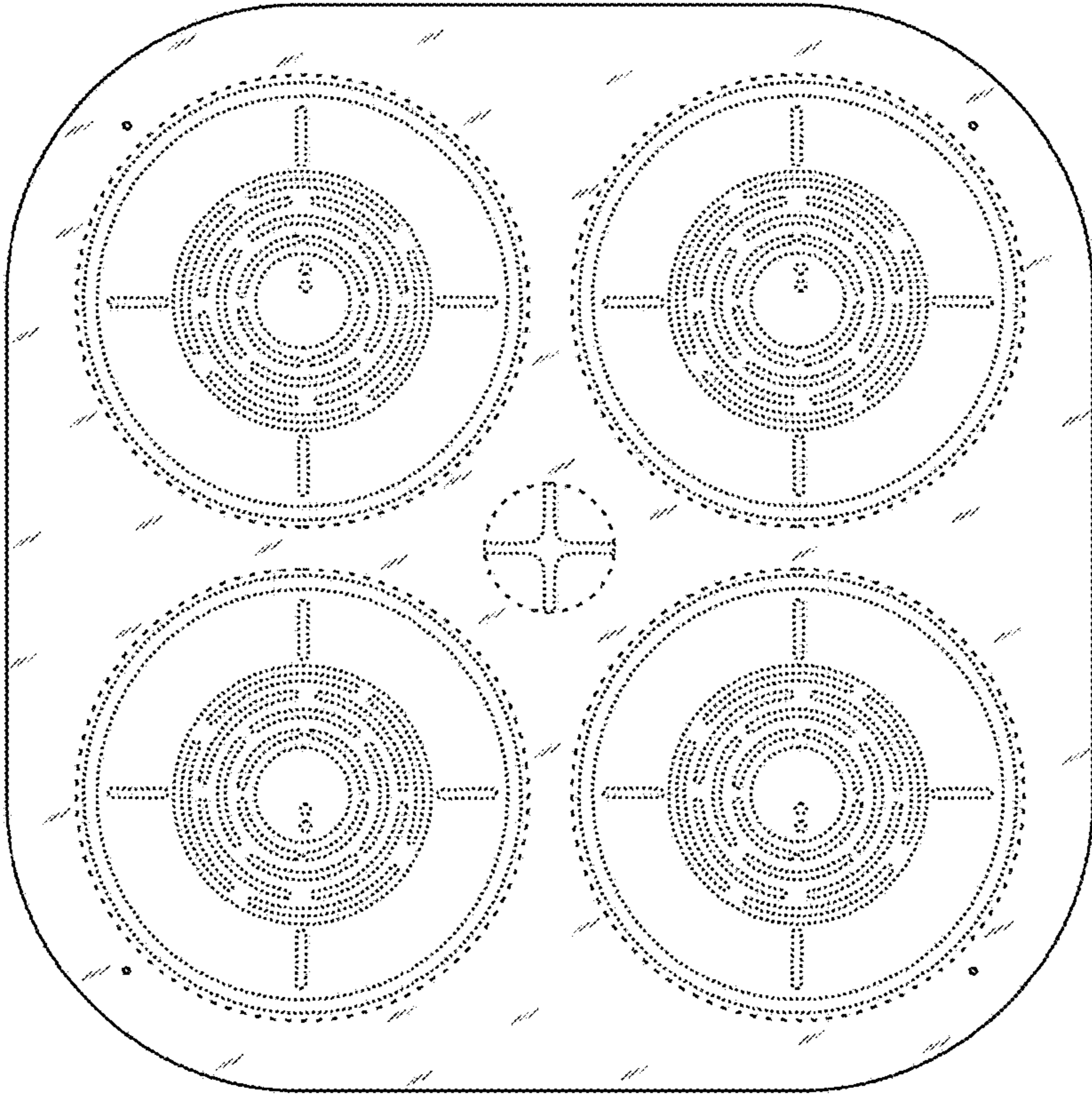


FIG. 4

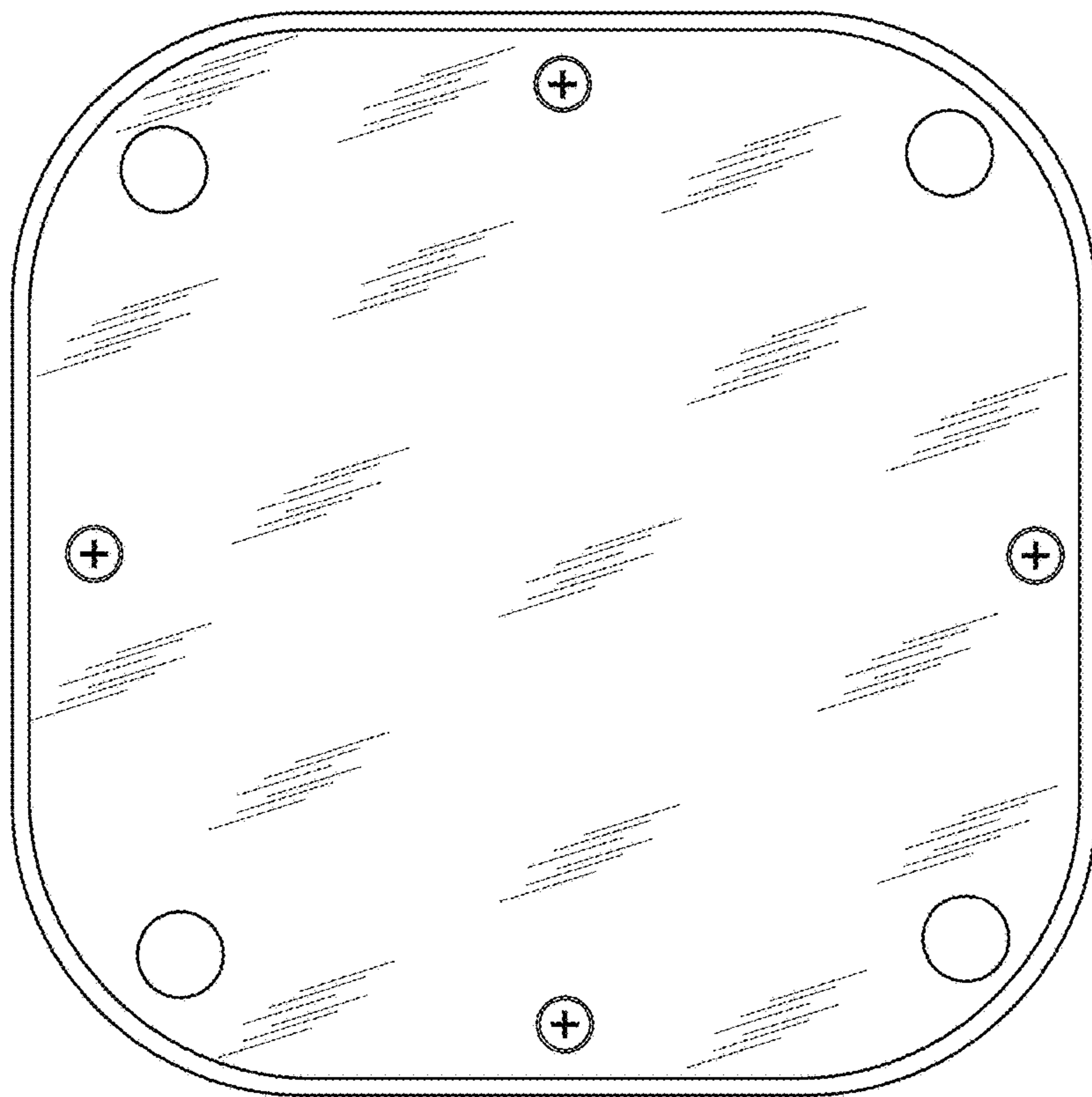


FIG. 5

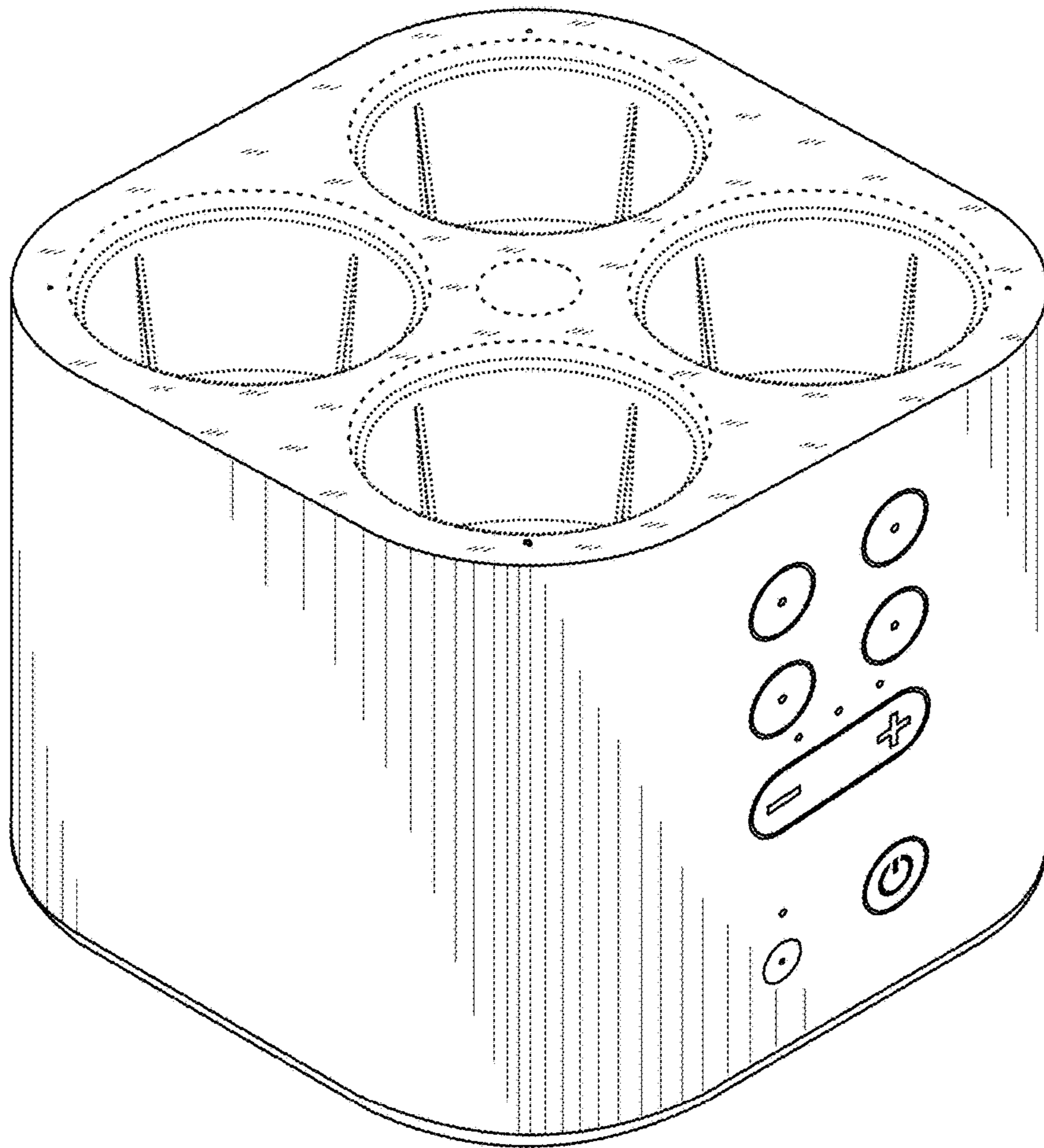


FIG. 6