



US00D836763S

(12) **United States Design Patent**  
**Kim et al.**

(10) **Patent No.:** **US D836,763 S**  
(45) **Date of Patent:** **\*\* Dec. 25, 2018**

(54) **WATER TURBINE FOR AIR PURIFIER WITH HUMIDIFIER**

9/22; B01D 46/00; B01D 46/0002; B01D 46/20; F02M 35/04; F24F 13/20; A62B 21/00

(71) Applicant: **LG ELECTRONICS INC.**, Seoul (KR)

See application file for complete search history.

(72) Inventors: **Joosang Kim**, Seoul (KR); **Sungkyong Han**, Seoul (KR); **Yoojeung Han**, Seoul (KR); **Sehwan Bae**, Seoul (KR)

(56) **References Cited**

U.S. PATENT DOCUMENTS

(73) Assignee: **LG ELECTRONICS INC.**, Seoul (KR)

D496,986 S *	10/2004	King	.....	D23/209
D497,406 S *	10/2004	King	.....	D23/209
D715,737 S *	10/2014	Cooper	.....	D13/115
D806,224 S *	12/2017	Kim	.....	D23/375
D806,848 S *	1/2018	Kim	.....	D23/364
D807,996 S *	1/2018	Kim	.....	D23/358
D818,228 S *	5/2018	Nam	.....	D32/22

(\*\*) Term: **15 Years**

\* cited by examiner

(21) Appl. No.: **35/503,243**

*Primary Examiner* — Keli L Hill

(22) Filed: **Dec. 20, 2016**

(74) *Attorney, Agent, or Firm* — Birch, Stewart, Kolasch & Birch, LLP

(80) **Hague Agreement Data**

Int. Filing Date: **Dec. 20, 2016**  
Int. Reg. No.: **DM/094064**  
Int. Reg. Date: **Dec. 20, 2016**  
Int. Reg. Pub. Date: **Jun. 23, 2017**

(57) **CLAIM**

The ornamental design for a water turbine for air purifier with humidifier, as shown and described.

(30) **Foreign Application Priority Data**

Jul. 14, 2016 (KR) ..... 30-2016-0034525

**DESCRIPTION**

(51) **LOC (11) Cl.** ..... **23-04**

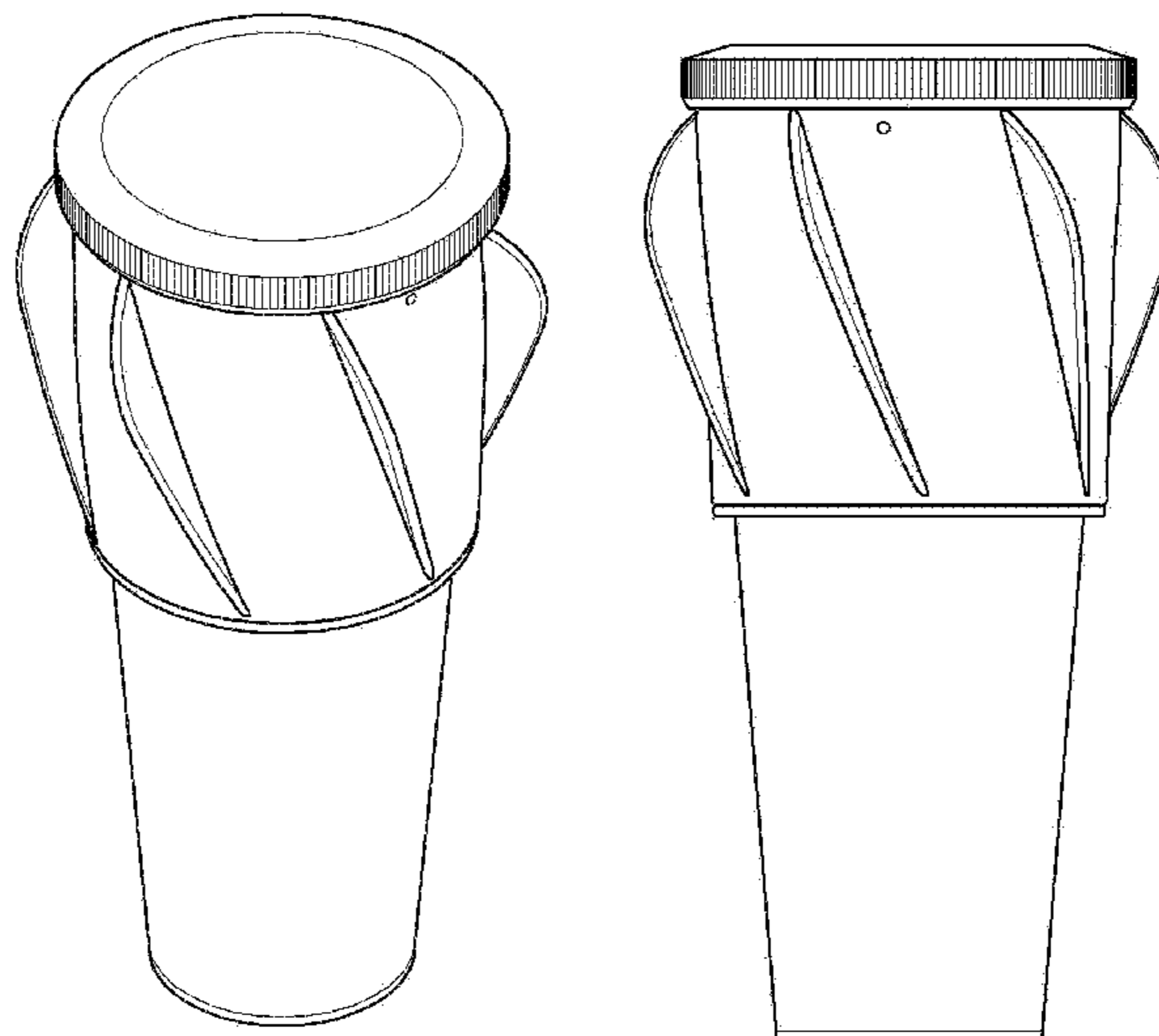
(52) **U.S. Cl.**  
USPC ..... **D23/365**

(58) **Field of Classification Search**  
USPC ..... D23/209, 210, 335, 336, 352, 355, 356, D23/358, 364, 365, 375  
CPC ..... A61L 9/00; A61L 9/02; A61L 9/03; A61L 9/034; A61L 9/04; A61L 9/12; A61L 9/032; A61L 9/122; A61L 9/127; A61L

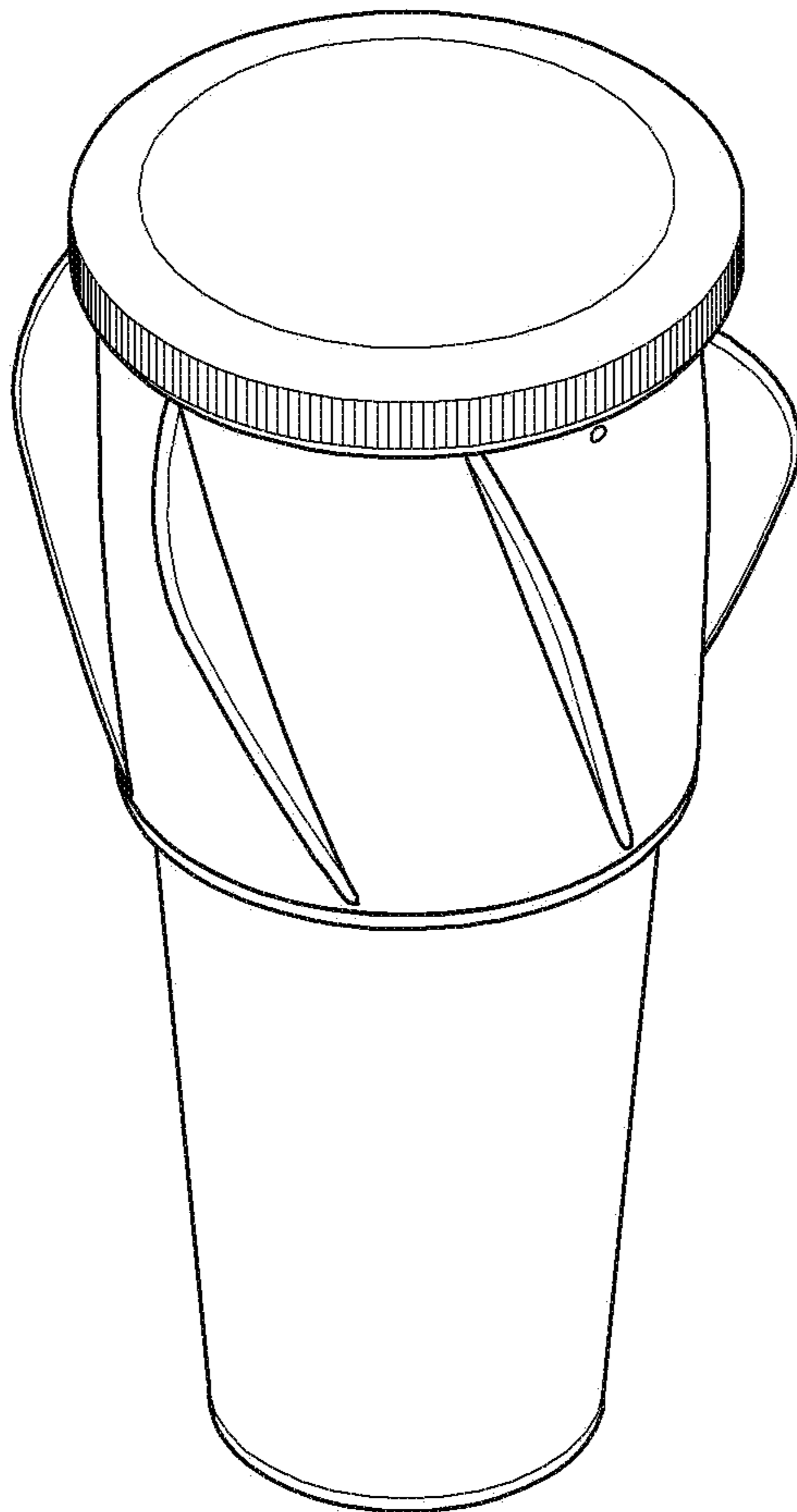
1. Water turbine for air purifier with humidifier
- 1.1 is a front and right side perspective view.
- 1.2 is a front elevation view.
- 1.3 is a rear elevation view.
- 1.4 is a left side elevation view.
- 1.5 is a right side elevation view.
- 1.6 is a top plan view.
- 1.7 is a bottom plan view.

The broken lines shown in Figure 1.7 are for the purpose of illustrating portions of the water turbine for air purifier with humidifier that form no part of the claimed design.

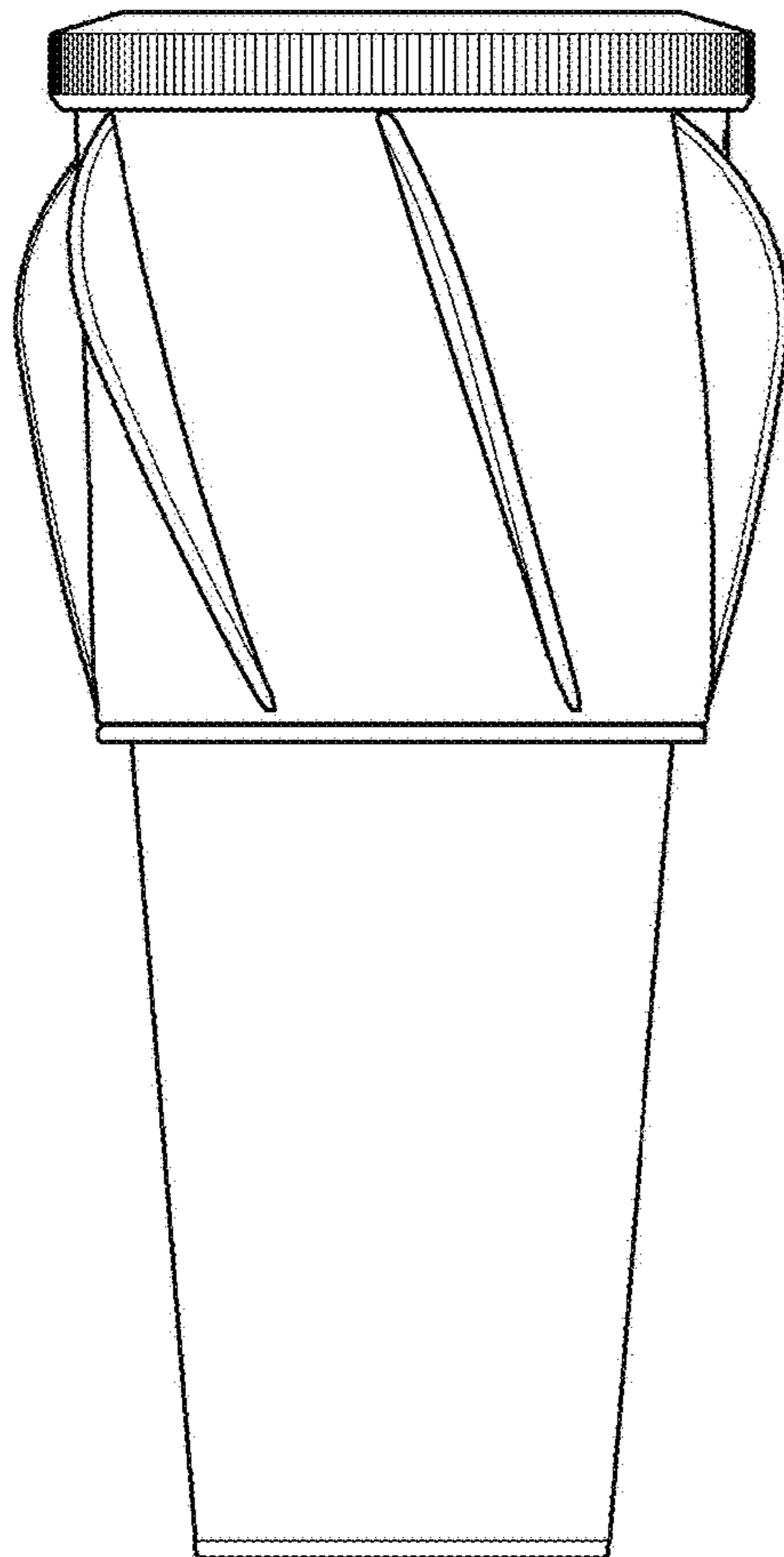
**1 Claim, 7 Drawing Sheets**



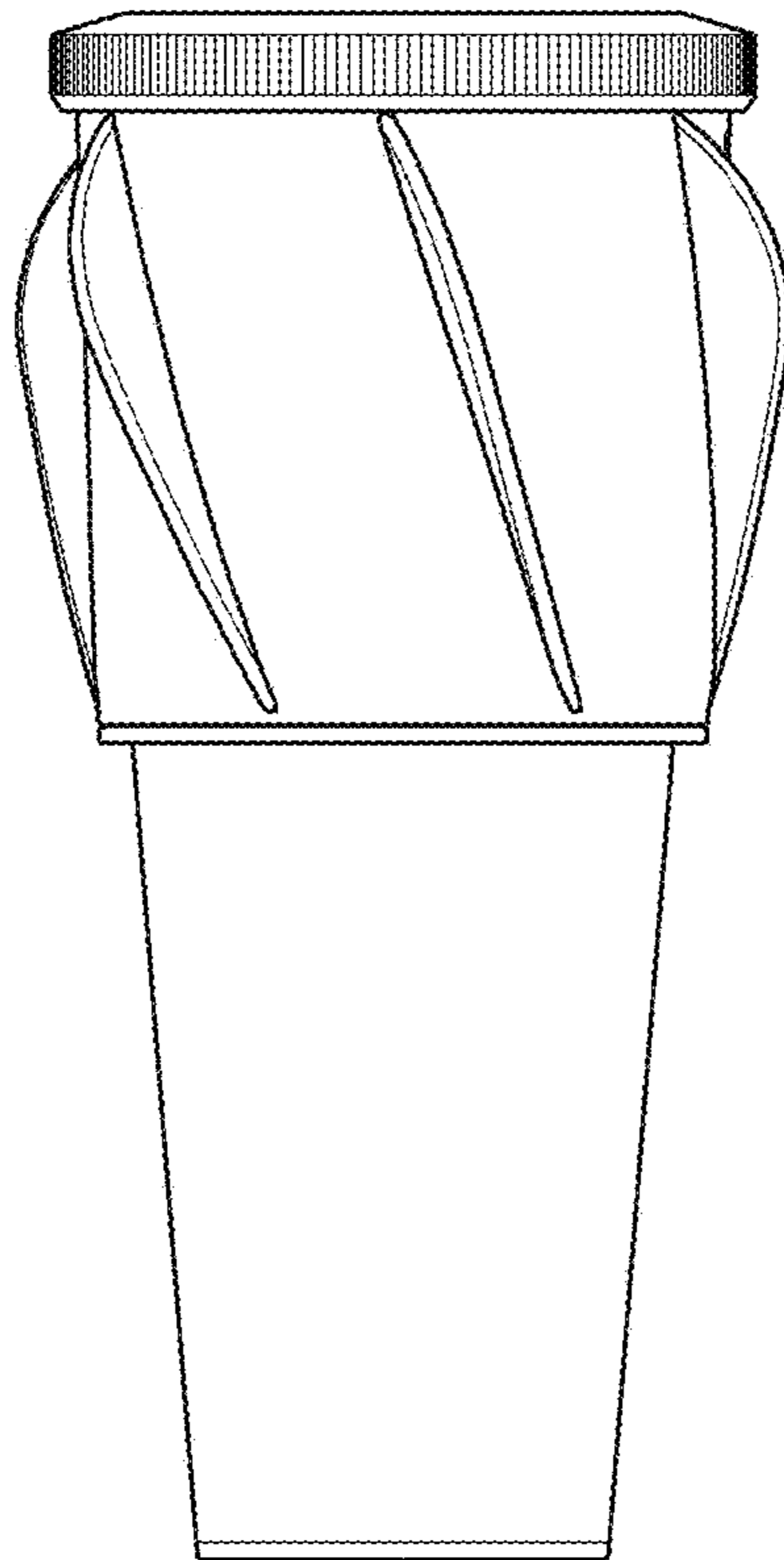
1.1



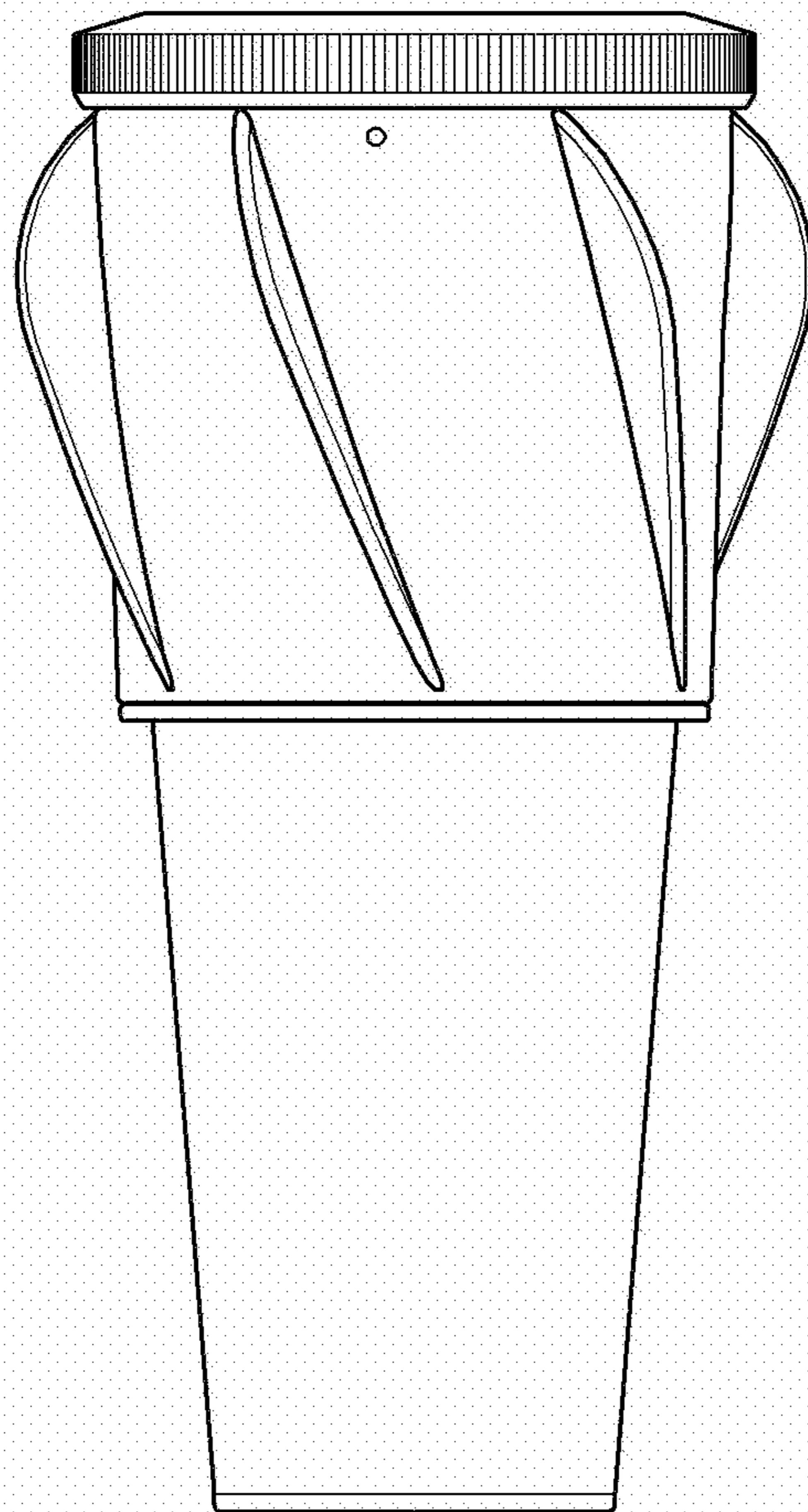
1.2



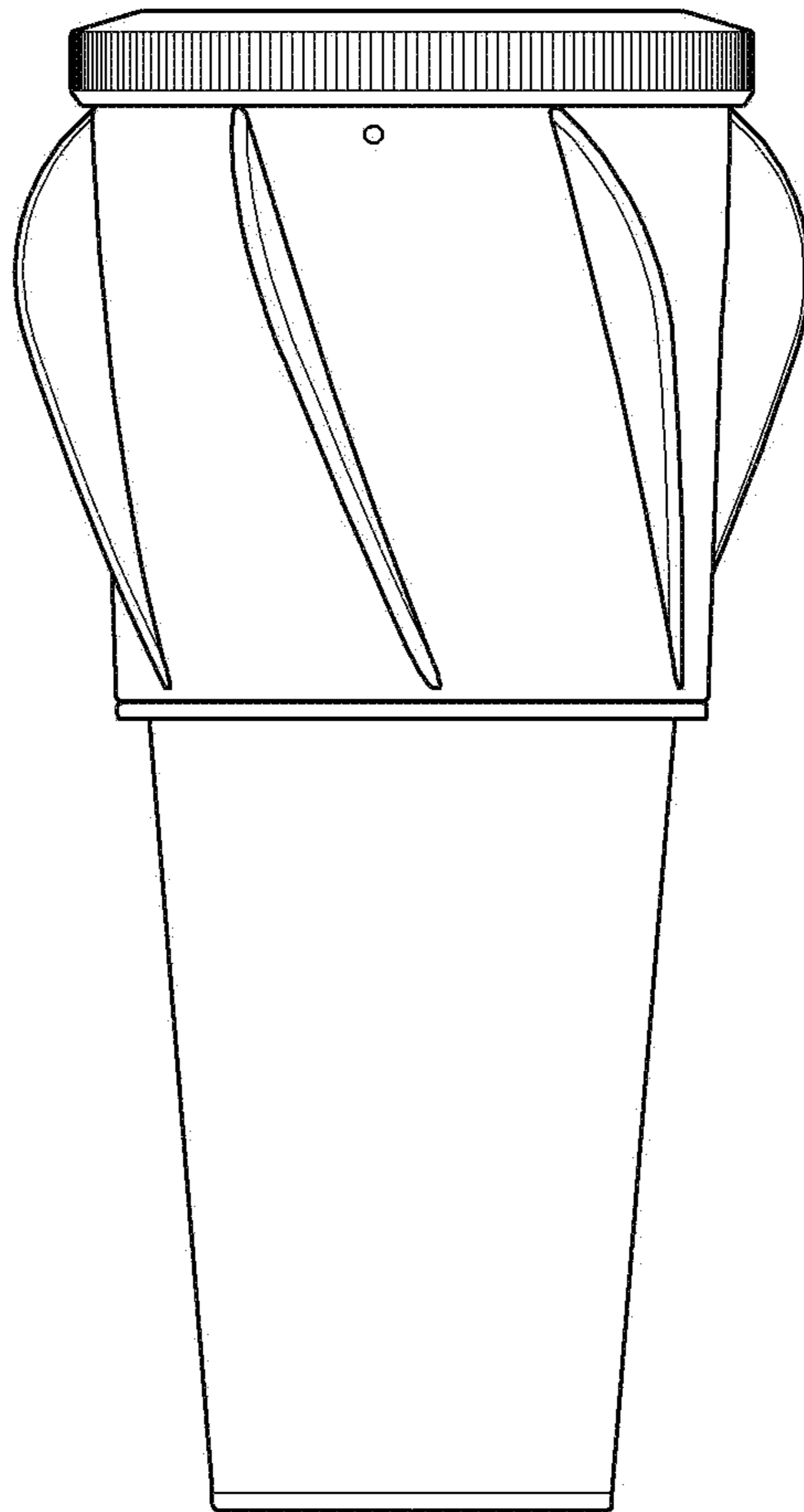
1.3



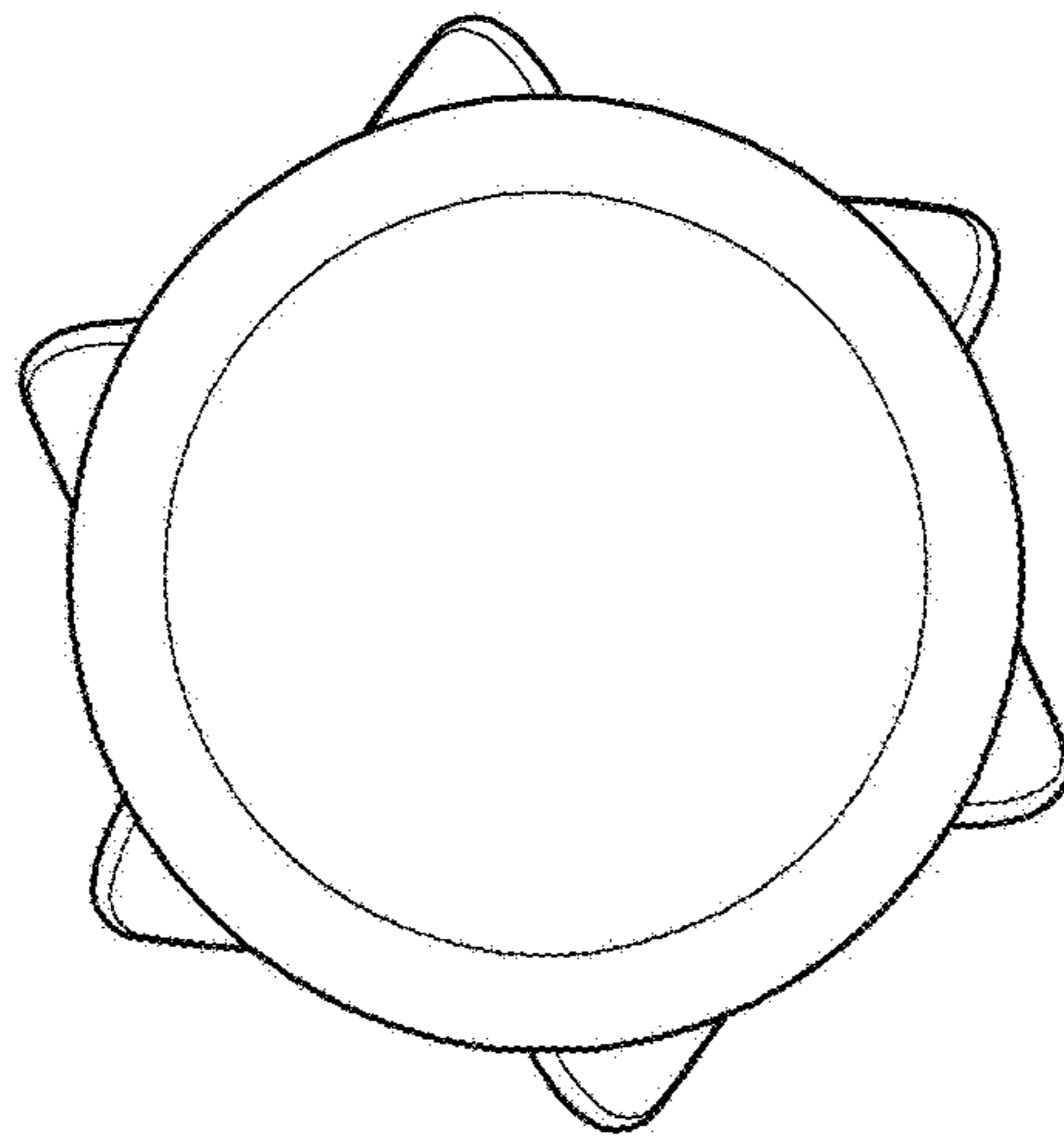
1.4



1.5



1.6



1.7

