



US00D836762S

(12) **United States Design Patent** (10) **Patent No.:** **US D836,762 S**  
**Kim et al.** (45) **Date of Patent:** **\*\* Dec. 25, 2018**

(54) **FILTER CASE FOR AIR PURIFIER WITH HUMIDIFIER**

(71) Applicant: **LG ELECTRONICS INC.**, Seoul (KR)

(72) Inventors: **Joosang Kim**, Seoul (KR); **Sungkyong Han**, Seoul (KR); **Yoojeung Han**, Seoul (KR); **Shwan Bae**, Seoul (KR)

(73) Assignee: **LG ELECTRONICS INC.**, Seoul (KR)

(\*\*) Term: **15 Years**

(21) Appl. No.: **35/503,221**

(22) Filed: **Dec. 20, 2016**

(80) **Hague Agreement Data**

Int. Filing Date: **Dec. 20, 2016**

Int. Reg. No.: **DM/094061**

Int. Reg. Date: **Dec. 20, 2016**

Int. Reg. Pub. Date: **Jun. 23, 2017**

(30) **Foreign Application Priority Data**

Jul. 14, 2016 (KR) ..... 30-2016-0034526

(51) **LOC (11) Cl.** ..... **23-04**

(52) **U.S. Cl.**  
USPC ..... **D23/365**

(58) **Field of Classification Search**  
USPC ..... D23/209, 210, 335, 336, 352, 355, 356, D23/358, 364, 365, 375  
CPC ..... A61L 9/00; A61L 9/02; A61L 9/03; A61L 9/034; A61L 9/04; A61L 9/12; A61L 9/032; A61L 9/122; A61L 9/127; A61L 9/22; B01D 46/00; B01D 46/0002; B01D 46/20; F02M 35/04; F24F 13/20; A62B 21/00

See application file for complete search history.

(56) **References Cited**

U.S. PATENT DOCUMENTS

D240,230 S *	6/1976	Dorsen .....	D23/369
D274,462 S *	6/1984	Rakocy .....	D23/365
D390,747 S *	2/1998	Joergensen .....	D7/400
D628,673 S *	12/2010	Dittmann .....	D23/209
D683,008 S *	5/2013	Olchovy .....	D23/366
D726,296 S *	4/2015	Talbot .....	D23/366
D761,407 S *	7/2016	Spear .....	D23/365
D796,022 S *	8/2017	DeChristofaro .....	D23/365
D804,005 S *	11/2017	Spear .....	D23/365
D804,981 S *	12/2017	Pohl .....	D11/7
D810,908 S *	2/2018	Mork .....	D23/365

\* cited by examiner

*Primary Examiner* — Keli L Hill

(74) *Attorney, Agent, or Firm* — Birch, Stewart, Kolasch & Birch, LLP

(57) **CLAIM**

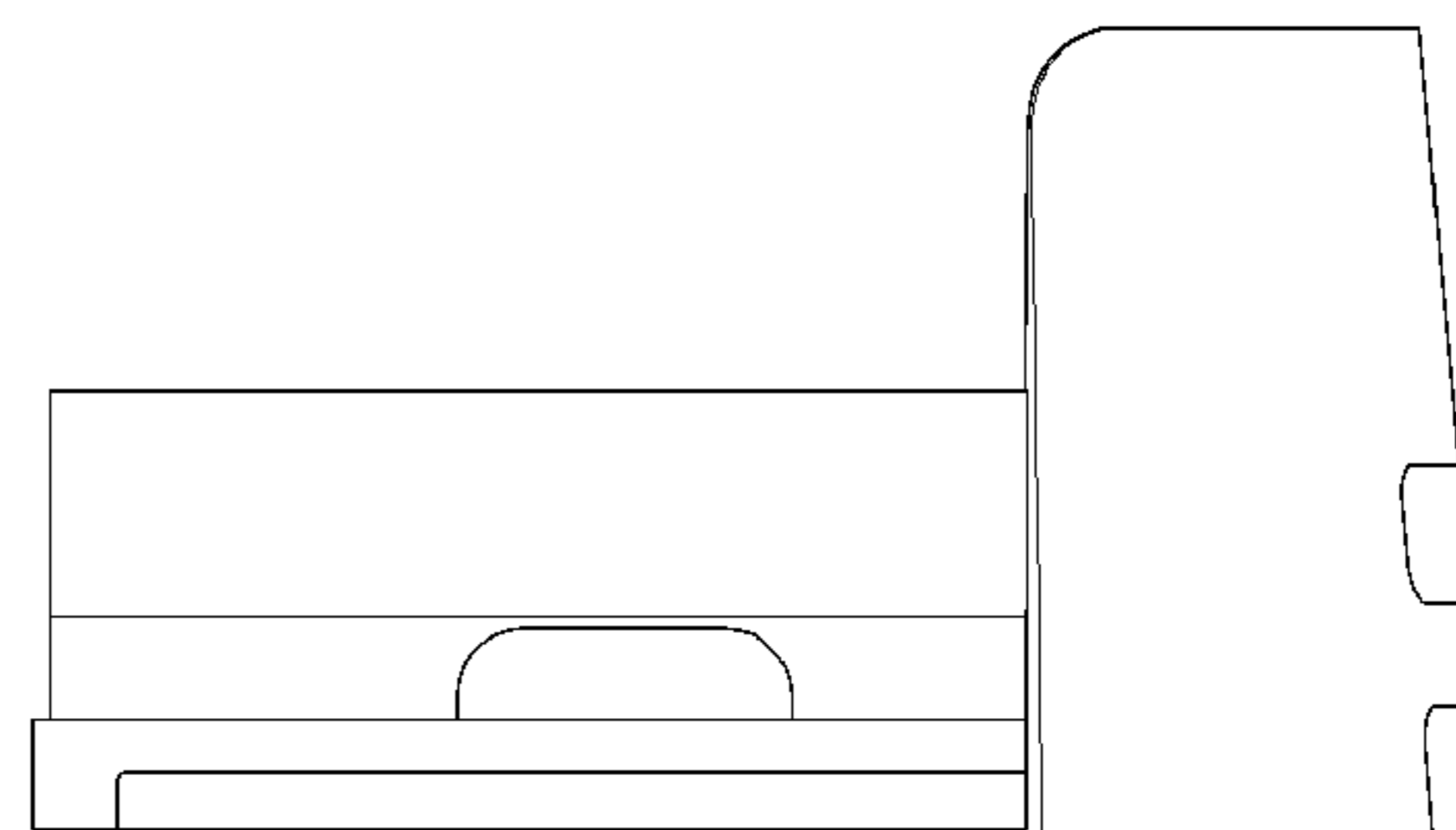
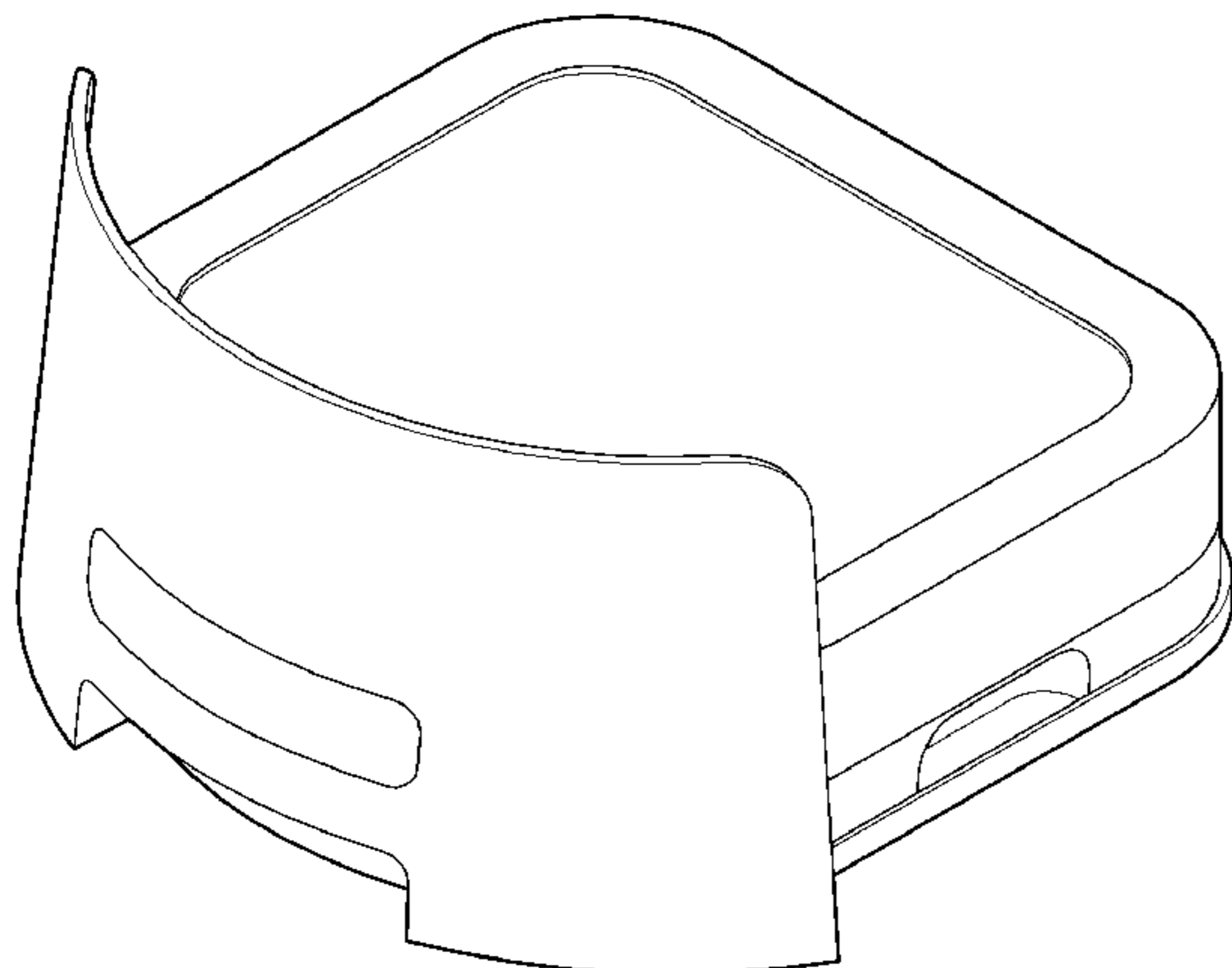
The ornamental design for a filter case for air purifier with humidifier, as shown and described.

**DESCRIPTION**

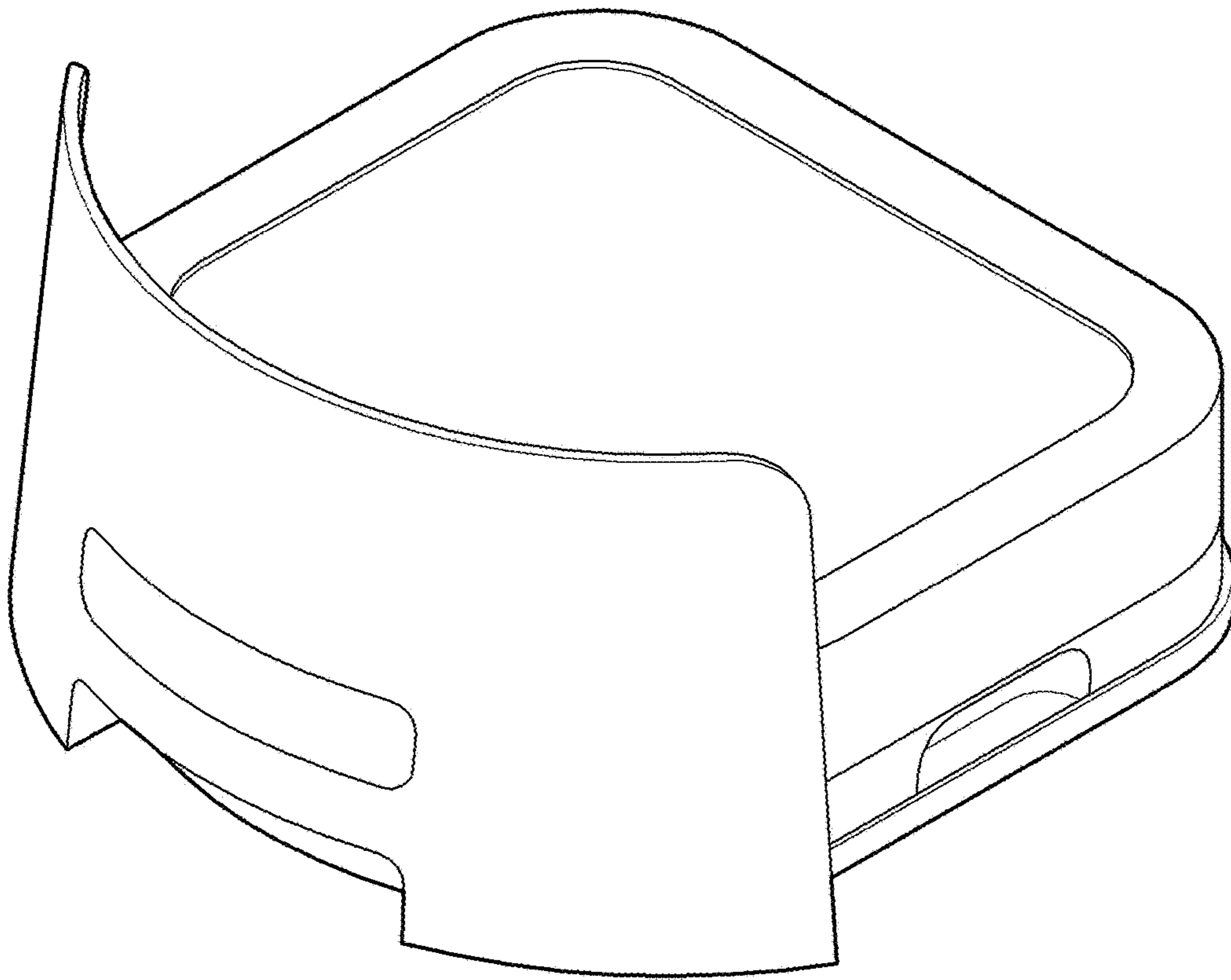
1. Filter case for air purifier with humidifier
- 1.1 is a front and right side perspective view.
- 1.2 is a front elevation view.
- 1.3 is a rear elevation view.
- 1.4 is a left side elevation view.
- 1.5 is a right side elevation view.
- 1.6 is a top plan view.
- 1.7 is a bottom plan view.

The broken lines shown in Figures 1.3 and 1.7 are for the purpose of illustrating portions of the filter case for air purifier with humidifier that form no part of the claimed design.

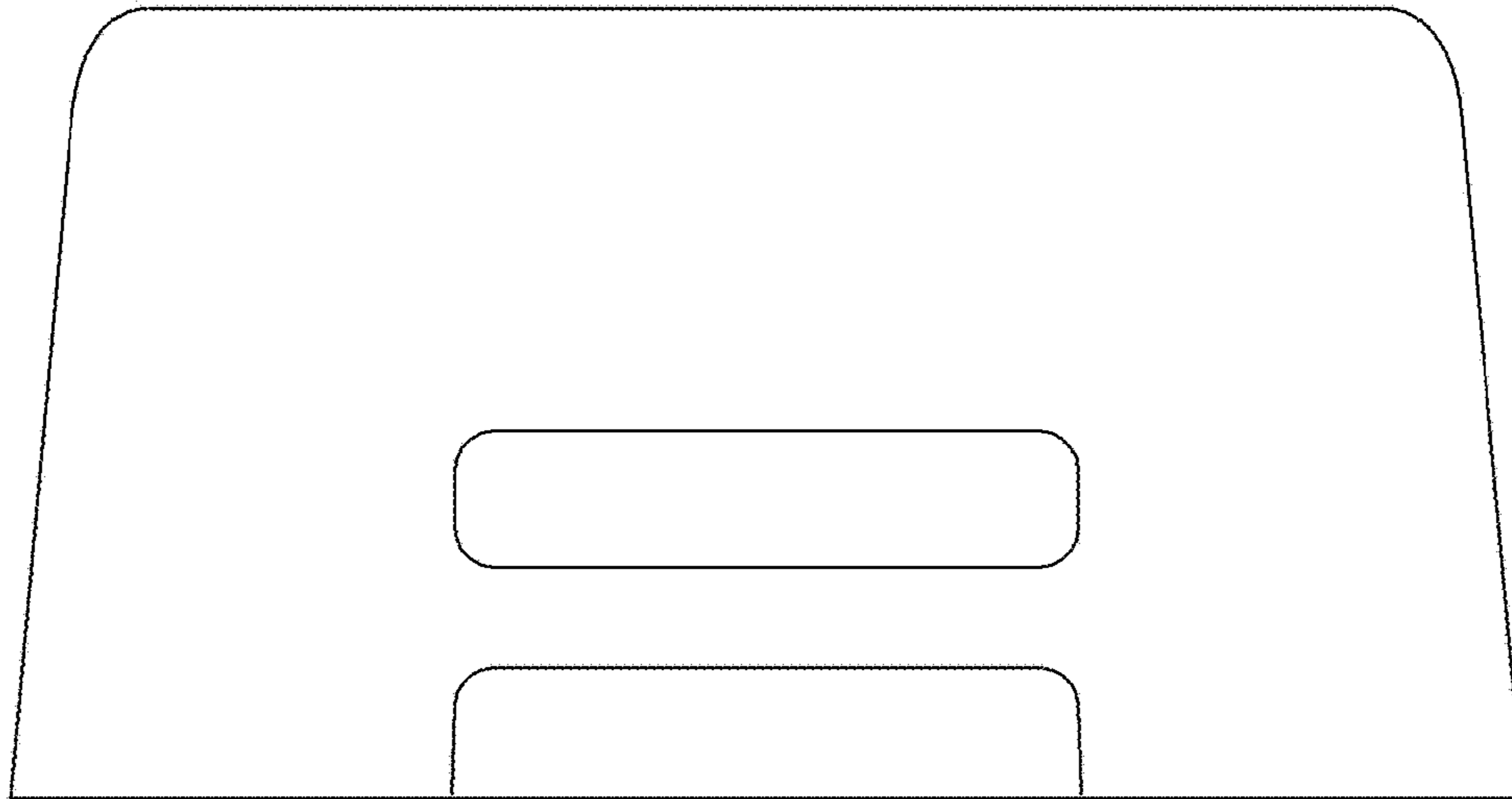
**1 Claim, 5 Drawing Sheets**



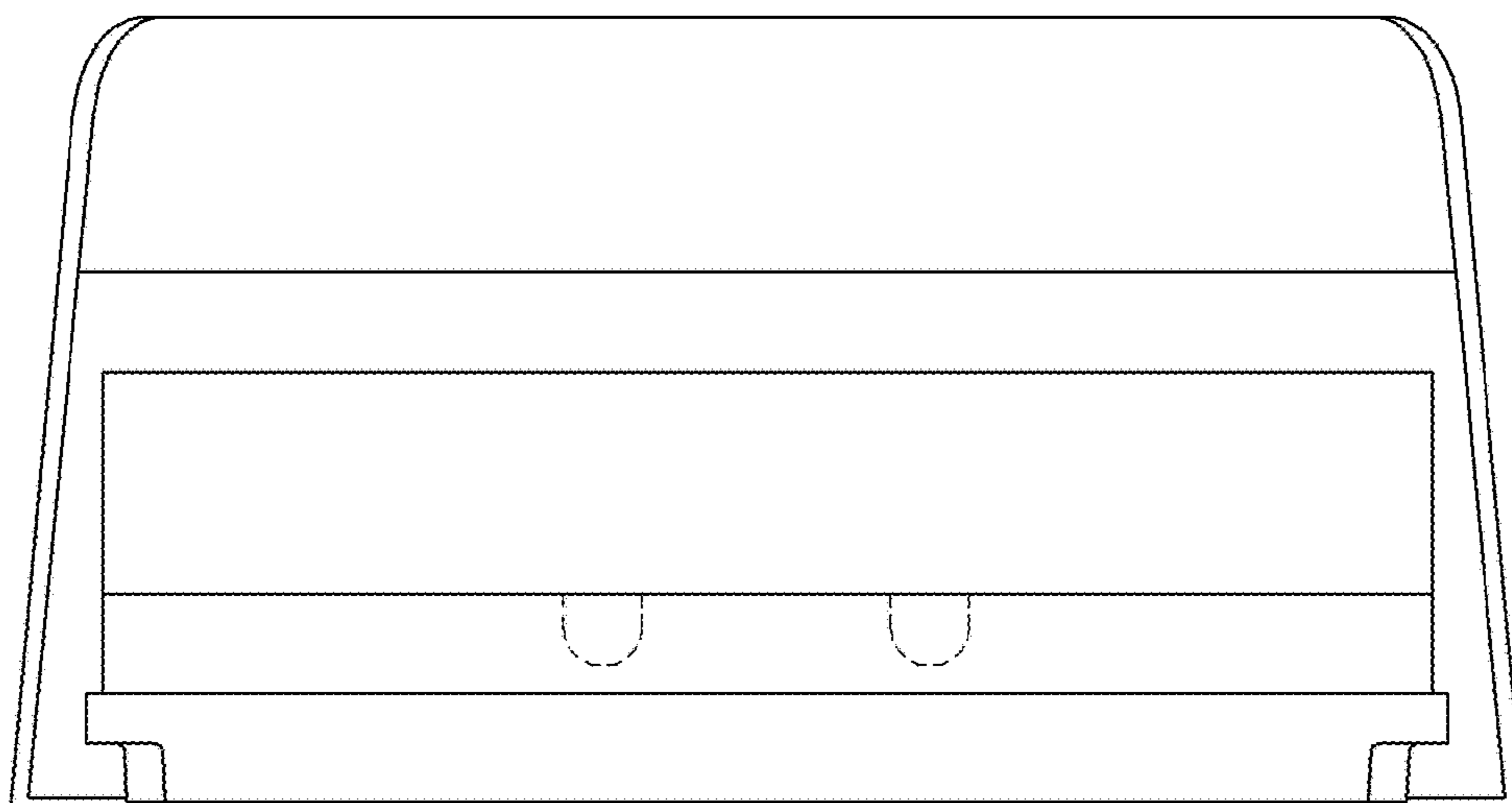
*1.1*



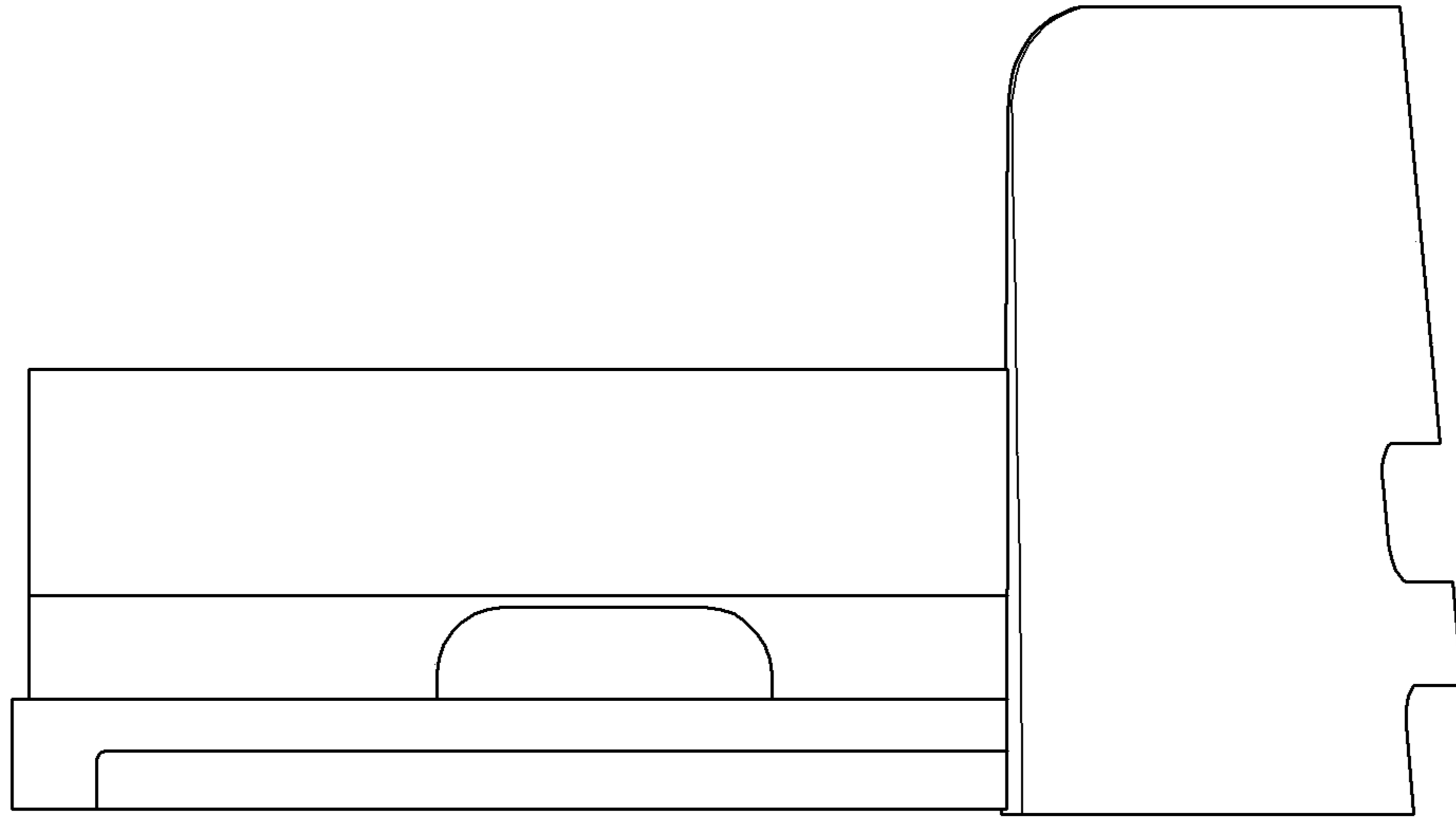
1.2



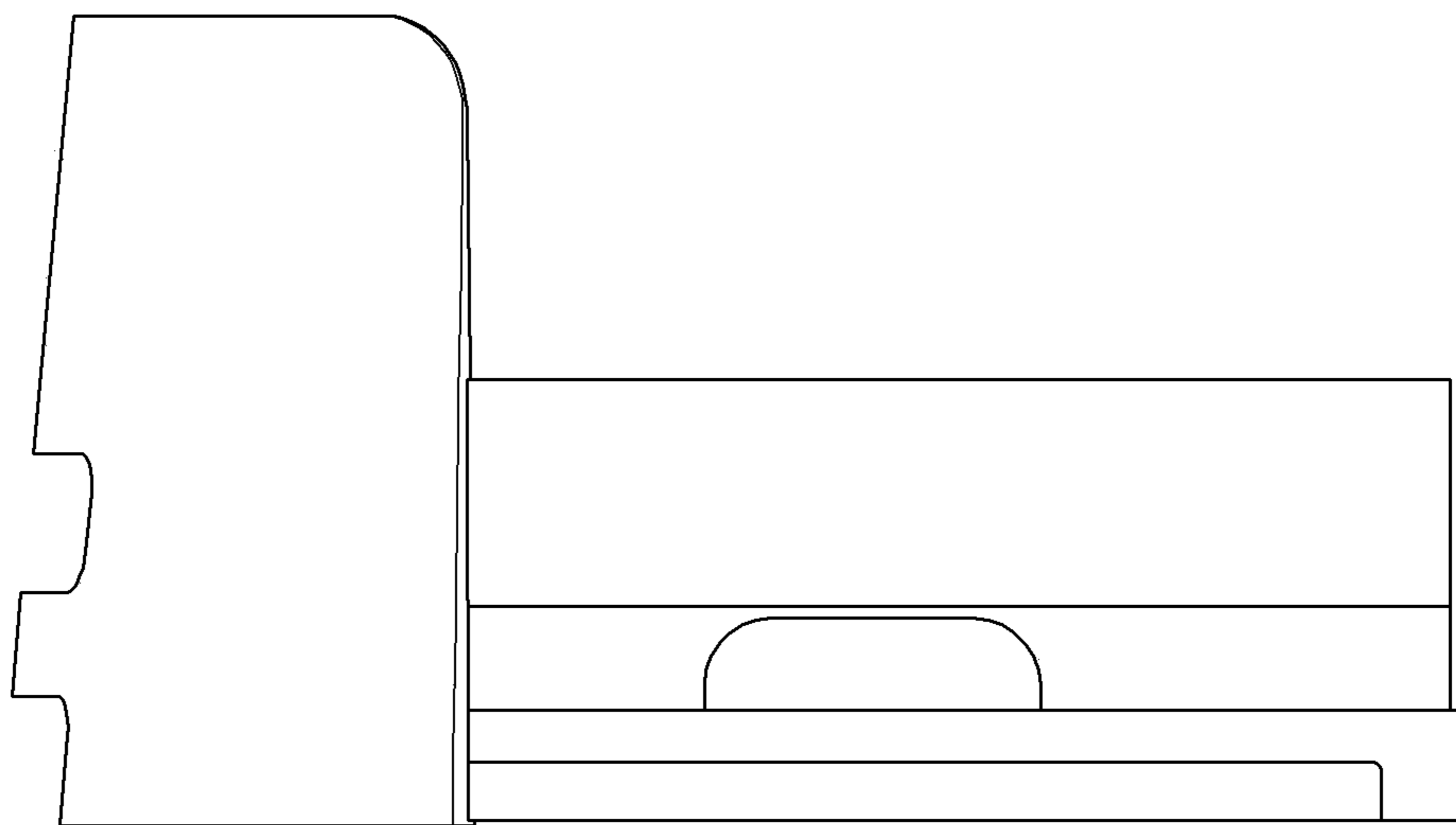
1.3



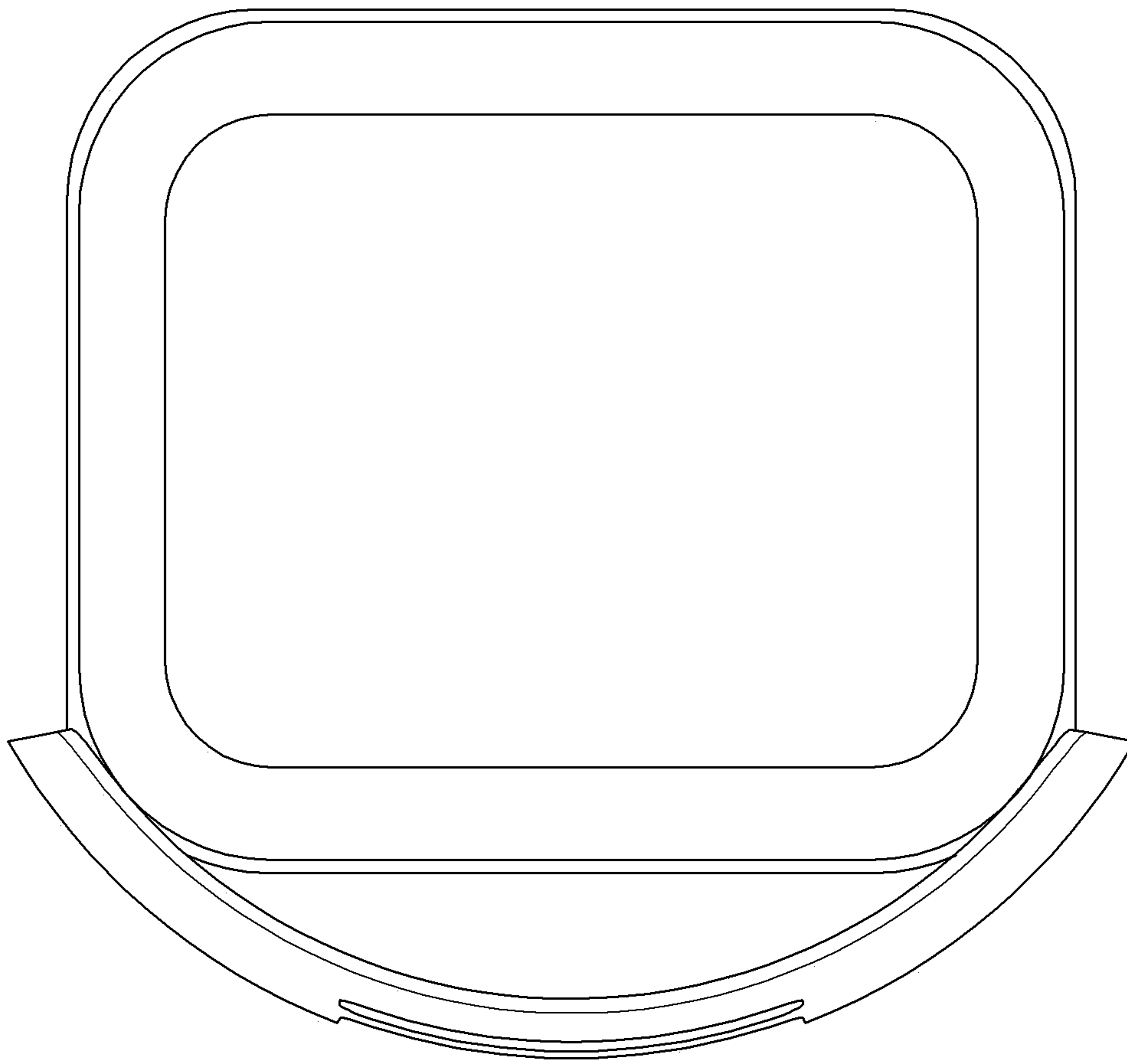
1.4



1.5



1.6



1.7

