



US00D836760S

(12) **United States Design Patent** (10) **Patent No.:** **US D836,760 S**
Fredäng et al. (45) **Date of Patent:** **** Dec. 25, 2018**

(54) **AIR CLEANER**
(71) Applicant: **BLUEAIR AB**, Stockholm (SE)
(72) Inventors: **Toni Fredäng**, Stockholm (SE); **David Gonzalez**, Stockholm (SE)
(73) Assignee: **BLUEAIR AB**, Stockholm (SE)
(**) Term: **15 Years**

D443,738 S * 6/2001 Makihara D32/21
D493,874 S * 8/2004 Woods D23/364
D504,675 S * 5/2005 Dayan D14/216
D521,695 S * 5/2006 Jacobs D32/21
D539,882 S * 4/2007 Li D23/352
D574,072 S * 7/2008 Carlson D23/364
D697,496 S * 1/2014 Ashcraft D14/216
D698,753 S * 2/2014 Yiu D14/216
D706,915 S * 6/2014 Suzuki D23/366
D716,427 S * 10/2014 Lim D23/364
D742,358 S * 11/2015 Alves D14/216

(Continued)

(21) Appl. No.: **29/604,214**
(22) Filed: **May 16, 2017**

(30) **Foreign Application Priority Data**

Nov. 17, 2016 (EM) 003468180-0001

(51) **LOC (11) Cl.** **23-04**
(52) **U.S. Cl.**
USPC **D23/364**

(58) **Field of Classification Search**
USPC D23/355-366, 332-336, 342, 351, 352,
D23/369; D14/168, 170-172, 188, 216,
D14/496
CPC A62B 21/00; B01D 46/0002; B01D 46/10;
F02M 35/04; F24F 13/20
See application file for complete search history.

(56) **References Cited**

U.S. PATENT DOCUMENTS

D207,514 S * 4/1967 Hoyla D23/352
D274,353 S * 6/1984 Hoyle D23/352
D276,843 S * 12/1984 Hoyle D23/352
D281,618 S * 12/1985 Grube D23/364
D355,962 S * 2/1995 Chiu D23/364
D360,635 S * 7/1995 Mark D14/212
D362,441 S * 9/1995 Mark D14/216
5,753,000 A * 5/1998 Chiu B01D 46/24
55/357
D396,098 S * 7/1998 Gillingham B01D 46/527
D23/365
D434,843 S * 12/2000 Zaragoza D23/366

OTHER PUBLICATIONS

amazon.com, Blue Pure 411 Air Purifier with Particle and Carbon Filter for Allergen and Odor Reduction, Aug. 13, 2017, <https://www.amazon.com/Purifier-Particle-Reduction-Pre-Filter-Blueair/dp/B073WJDQMN> (Year: 2017).*

Primary Examiner — David G Muller
Assistant Examiner — Nathan M Johnston
(74) *Attorney, Agent, or Firm* — Cooper Legal Group LLC

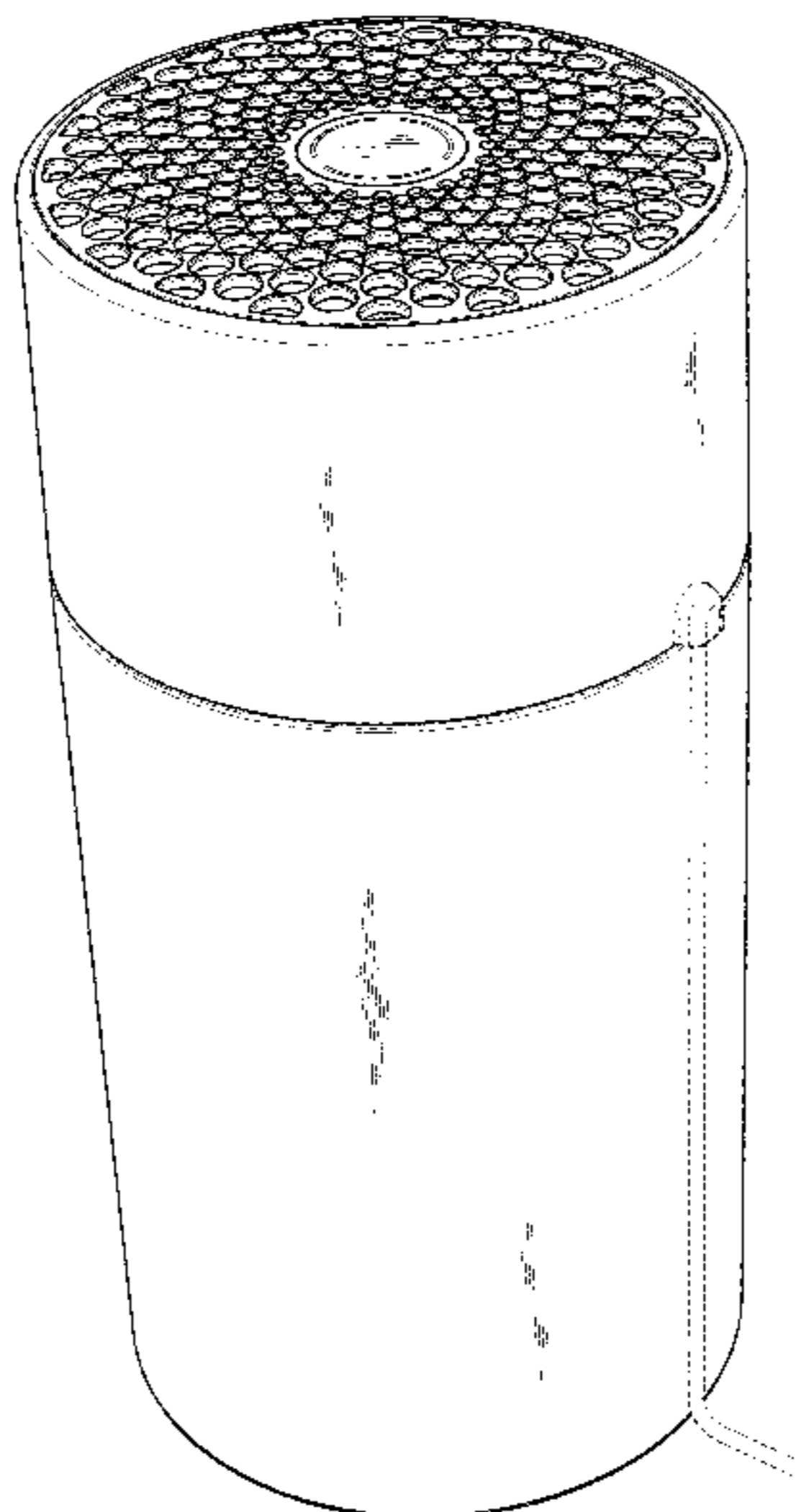
(57) **CLAIM**

The ornamental design for an air cleaner, as shown and described.

DESCRIPTION

FIG. 1 is a perspective view of an air cleaner, from a generally top and side viewing position, showing the new design;
FIG. 2 is a first-side elevation view thereof;
FIG. 3 is a second-side elevation view thereof;
FIG. 4 is a third-side elevation view thereof;
FIG. 5 is a fourth-side elevation view thereof;
FIG. 6 is a bottom plan view thereof; and,
FIG. 7 is a top plan view thereof.
The broken lines shown within the figures form no part of the claimed design.

1 Claim, 6 Drawing Sheets



(56)

References Cited

U.S. PATENT DOCUMENTS

D752,732 S * 3/2016 Ansley D23/366
D765,618 S * 9/2016 Alves D14/216
D771,019 S * 11/2016 Lee D14/216
D771,141 S * 11/2016 Langhammer D14/496
D794,170 S * 8/2017 Lopez D23/332
D803,369 S * 11/2017 Kim D23/364
D803,810 S * 11/2017 Lee D14/216
D804,002 S * 11/2017 Huang D23/364
D805,622 S * 12/2017 Lee D23/364
D806,843 S * 1/2018 McDonnell D23/355
D807,327 S * 1/2018 Xiong D14/216
D810,049 S * 2/2018 Lee D14/216
D810,135 S * 2/2018 Langhammer D14/496
D810,265 S * 2/2018 Chen D23/366
2010/0024652 A1 * 2/2010 Fox A61L 9/22
96/58
2017/0122605 A1 * 5/2017 Lee F24F 6/16
2017/0153040 A1 * 6/2017 Wang F24F 13/20
2017/0321717 A1 * 11/2017 Park F04D 29/703

* cited by examiner

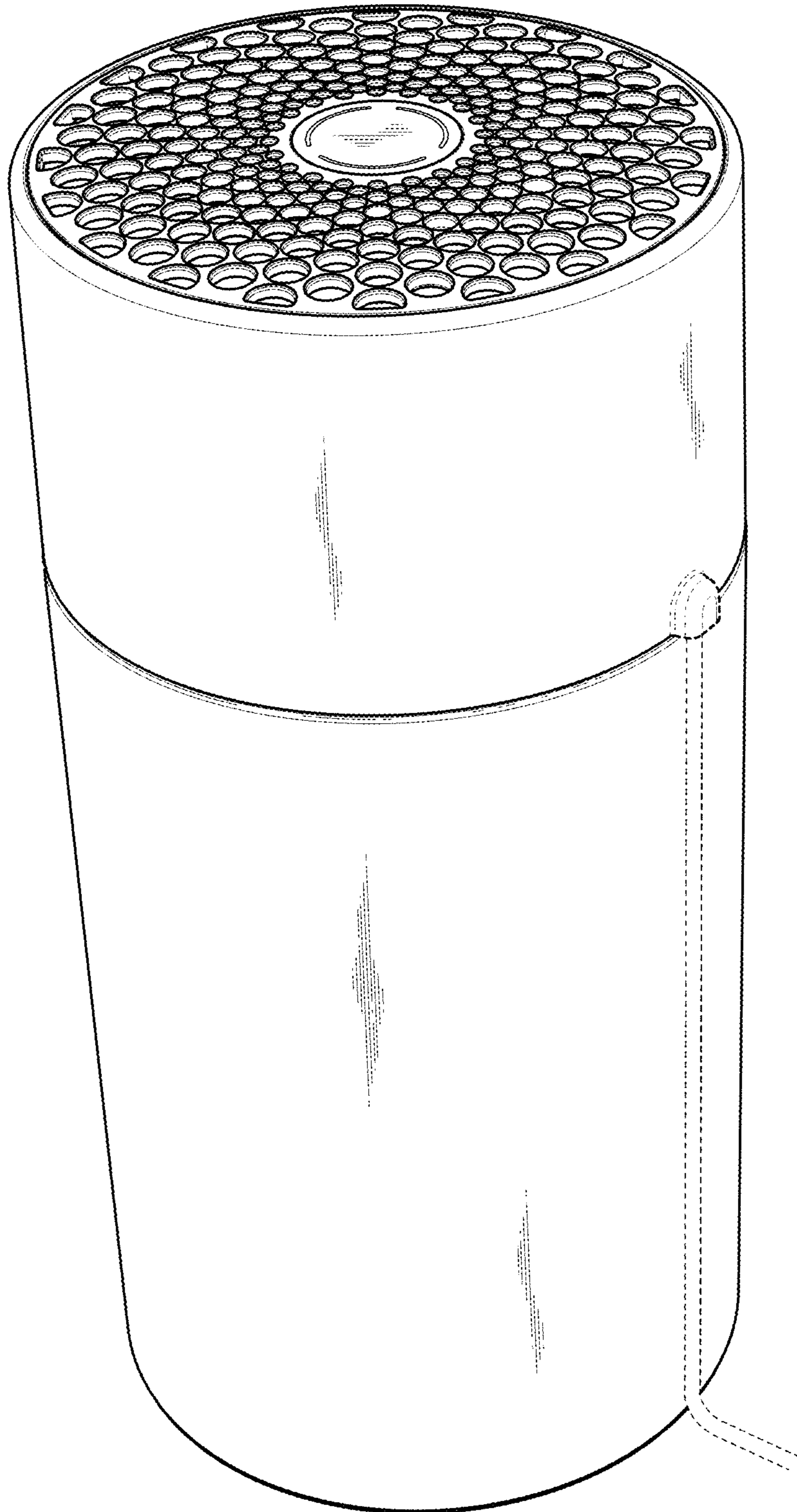


Fig. 1

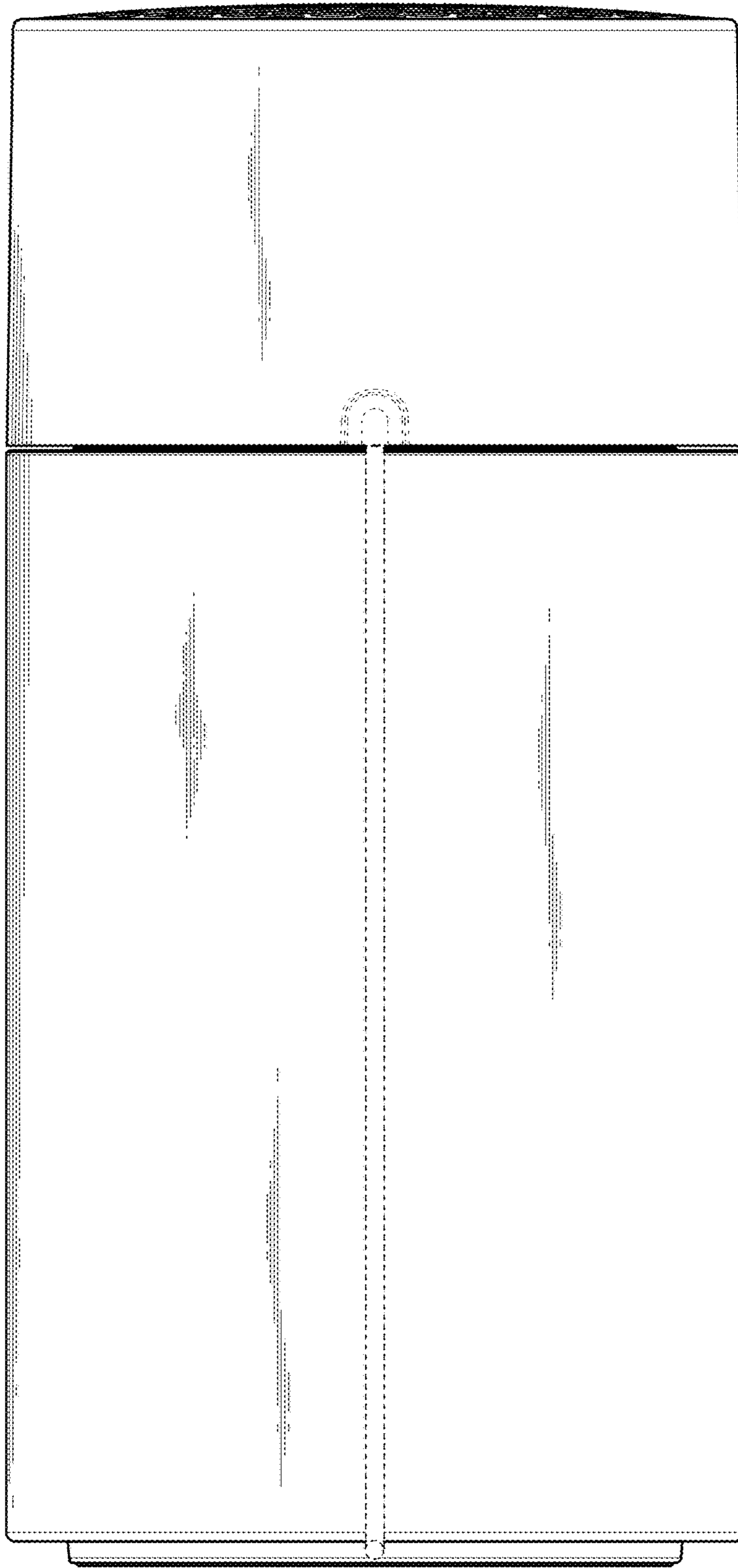


Fig. 2

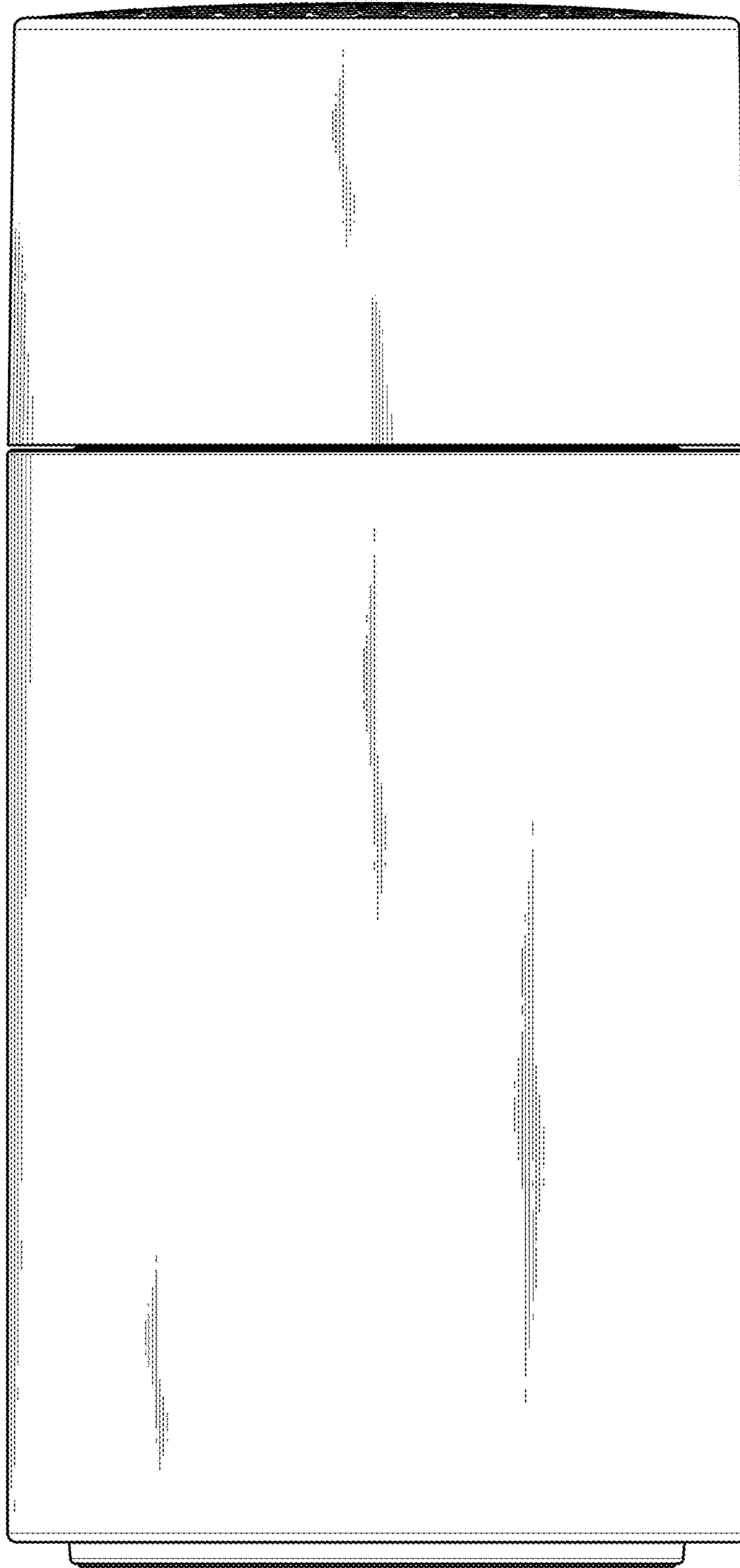


Fig. 3

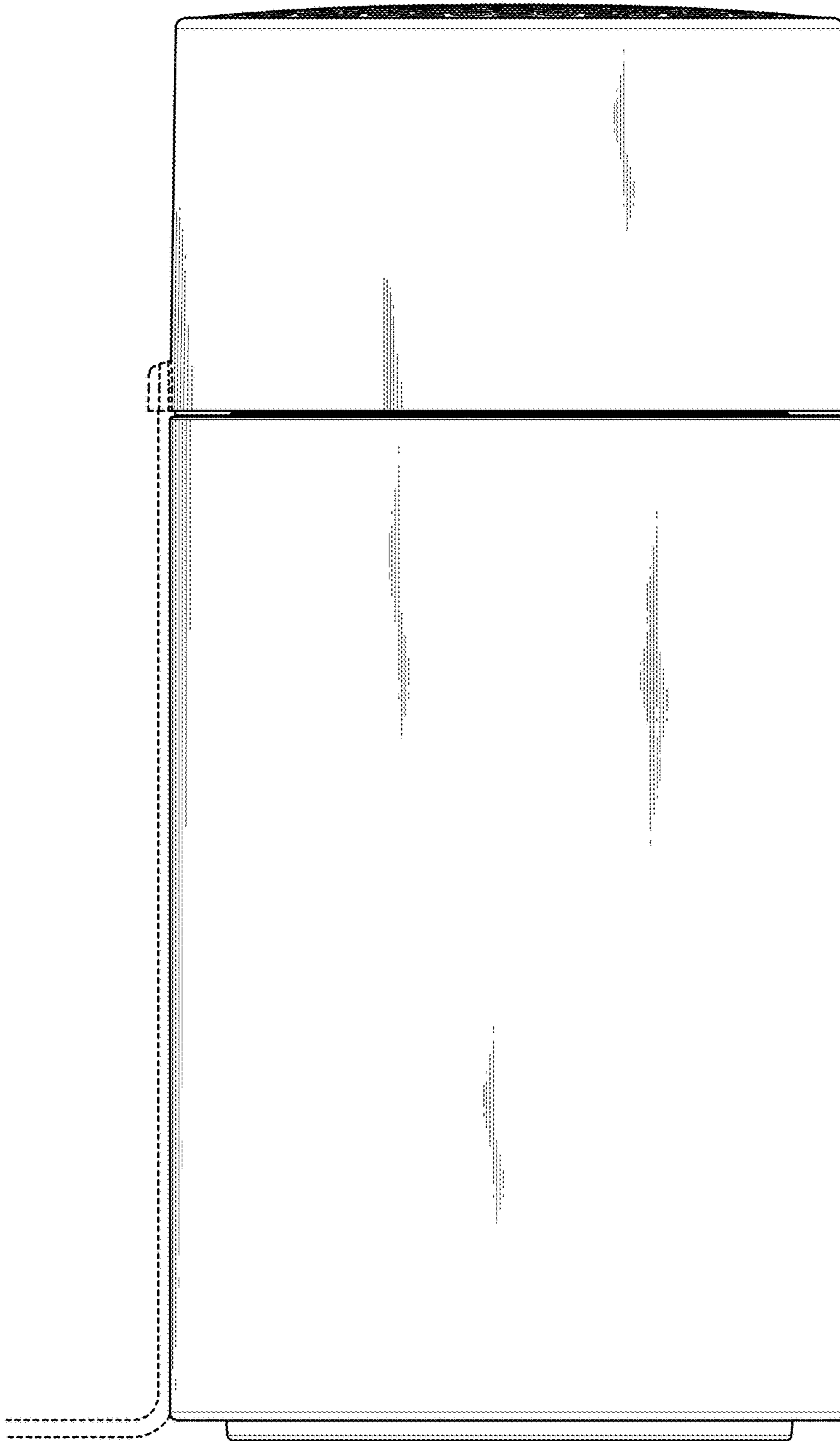


Fig. 4

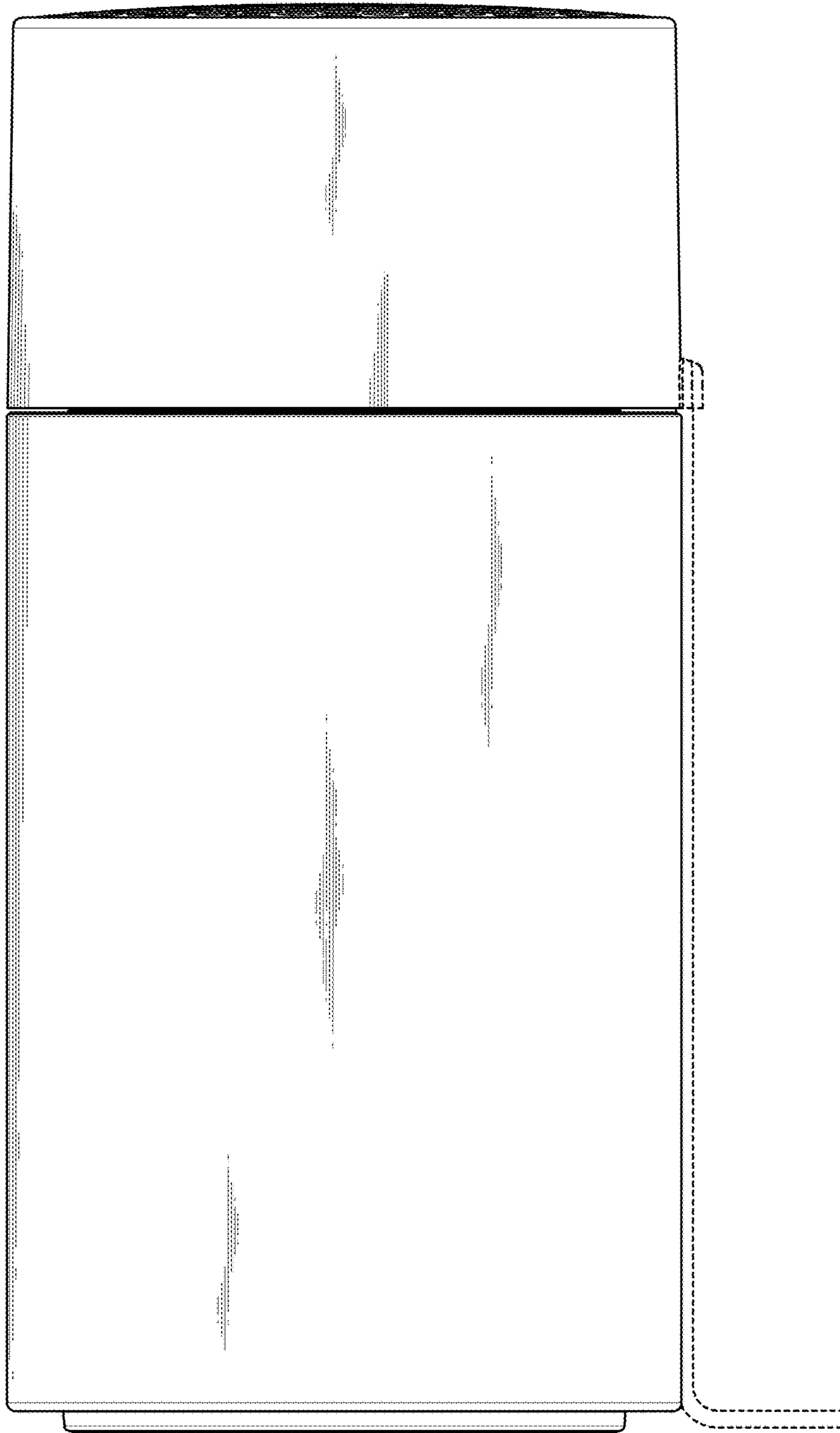


Fig. 5

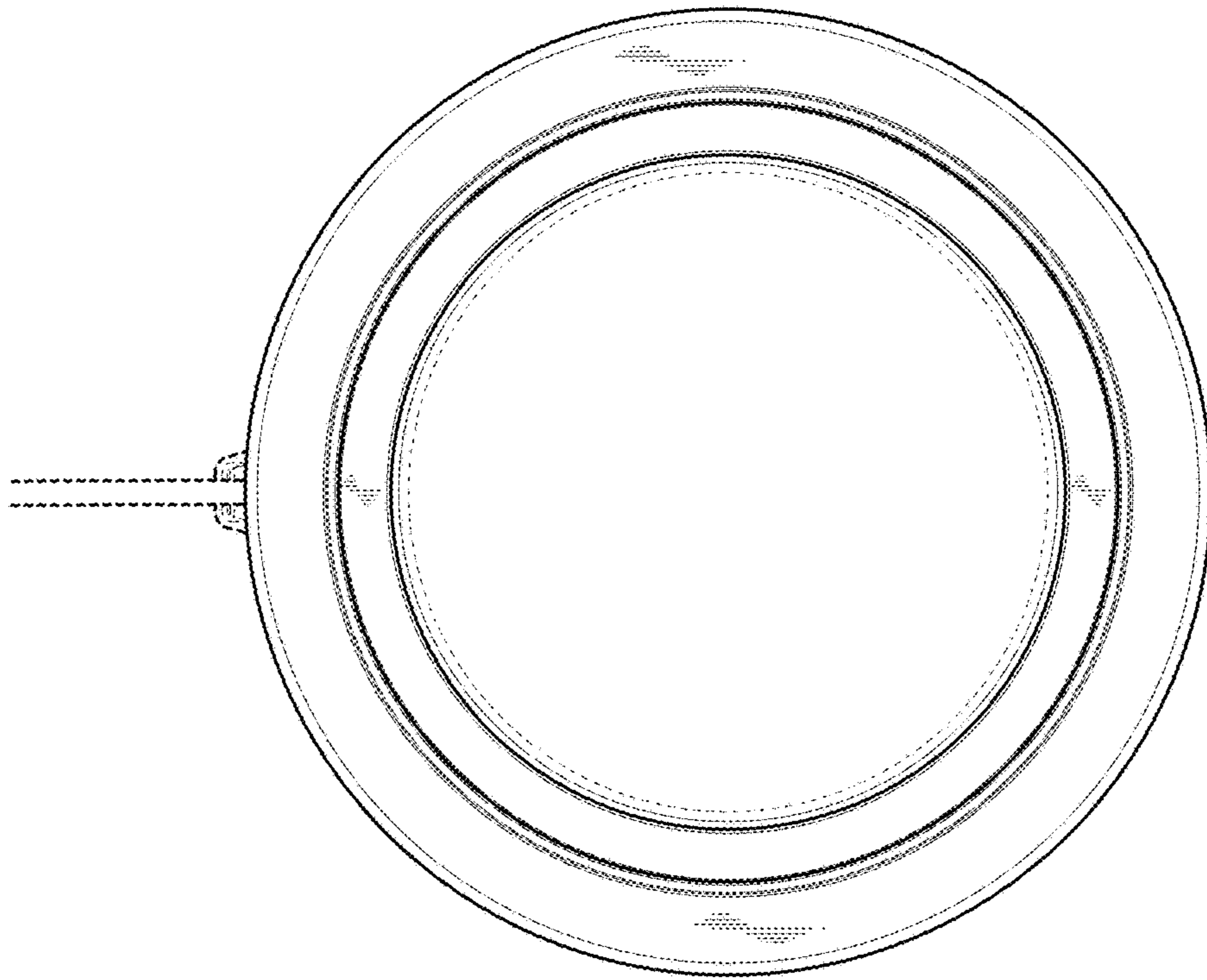


Fig. 6

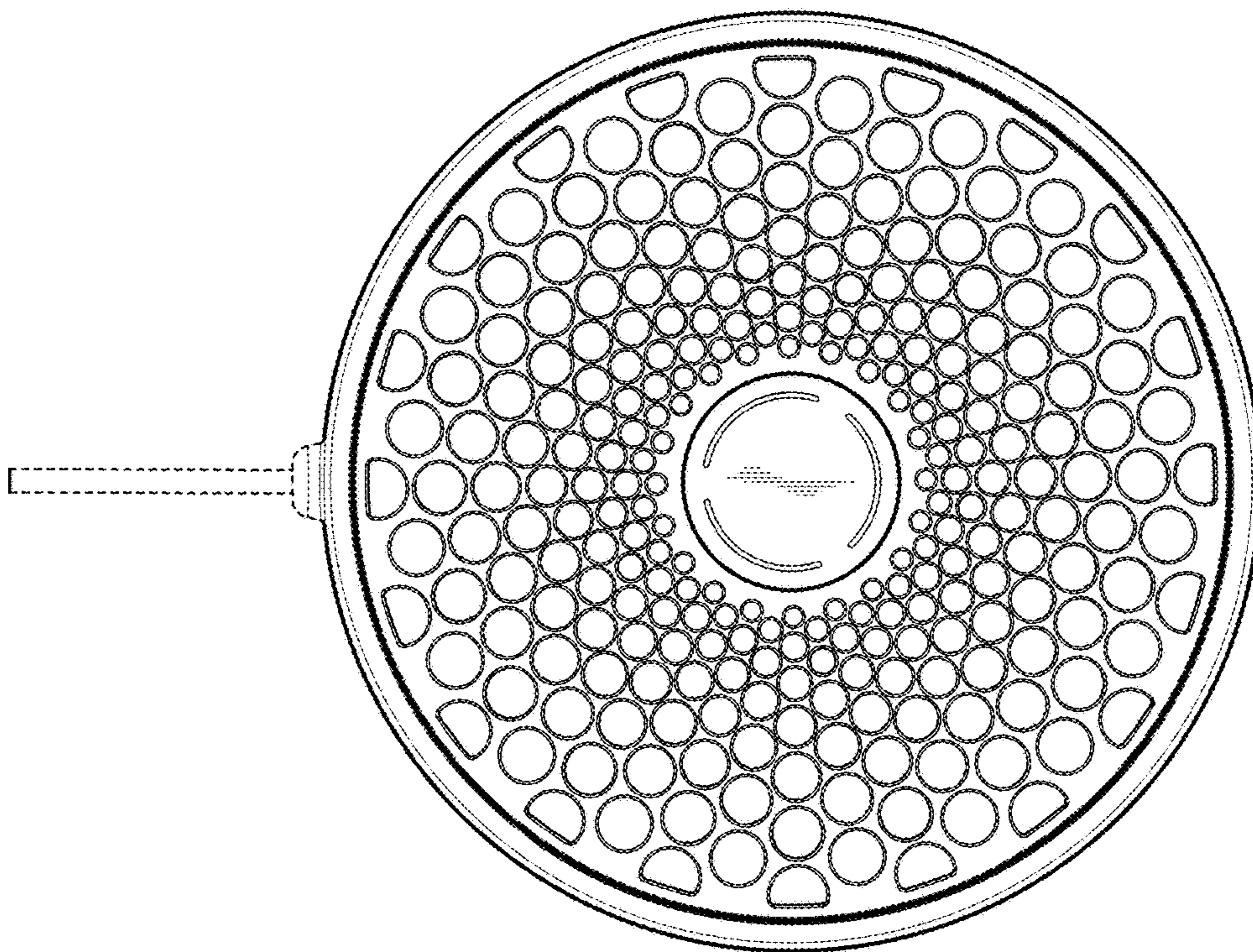


Fig. 7