



US00D836758S

(12) **United States Design Patent**
Rocandio Mazagatos

(10) **Patent No.:** **US D836,758 S**

(45) **Date of Patent:** **** Dec. 25, 2018**

(54) **SHOWER TRAY**

(71) Applicant: **FIORA BATH COLLECTIONS, S.L.U.**, Najera (La Rioja) (ES)

(72) Inventor: **Manuel Rocandio Mazagatos**, Najera (ES)

(73) Assignee: **FIORA BATH COLLECTIONS, S.L.U.**, Najera (La Rioja) (ES)

(**) Term: **15 Years**

(21) Appl. No.: **29/594,329**

(22) Filed: **Feb. 17, 2017**

(51) **LOC (11) Cl.** **23-02**

(52) **U.S. Cl.**
USPC **D23/304; D23/283**

(58) **Field of Classification Search**
USPC ... D23/277-279, 280.1, 280.2, 280.3, 280.4,
D23/304-310
CPC A47K 3/006; A47K 3/02; A47K 3/022;
E05C 9/16
See application file for complete search history.

(56) **References Cited**

U.S. PATENT DOCUMENTS

D255,829 S * 7/1980 Swenson D23/283
D354,117 S * 1/1995 Nations D23/283

D532,877 S * 11/2006 Hisey D23/304
8,141,182 B2 * 3/2012 Cook A47K 3/40
4/613
D672,850 S * 12/2012 Adams D23/304
8,561,224 B2 * 10/2013 Cook A47K 3/40
4/604
D706,913 S * 6/2014 Toms D23/304
8,789,316 B2 * 7/2014 Cook A47K 3/008
52/35

* cited by examiner

Primary Examiner — Brandon M Rosati

Assistant Examiner — John A Voytek

(74) *Attorney, Agent, or Firm* — Lucas & Mercanti, LLP

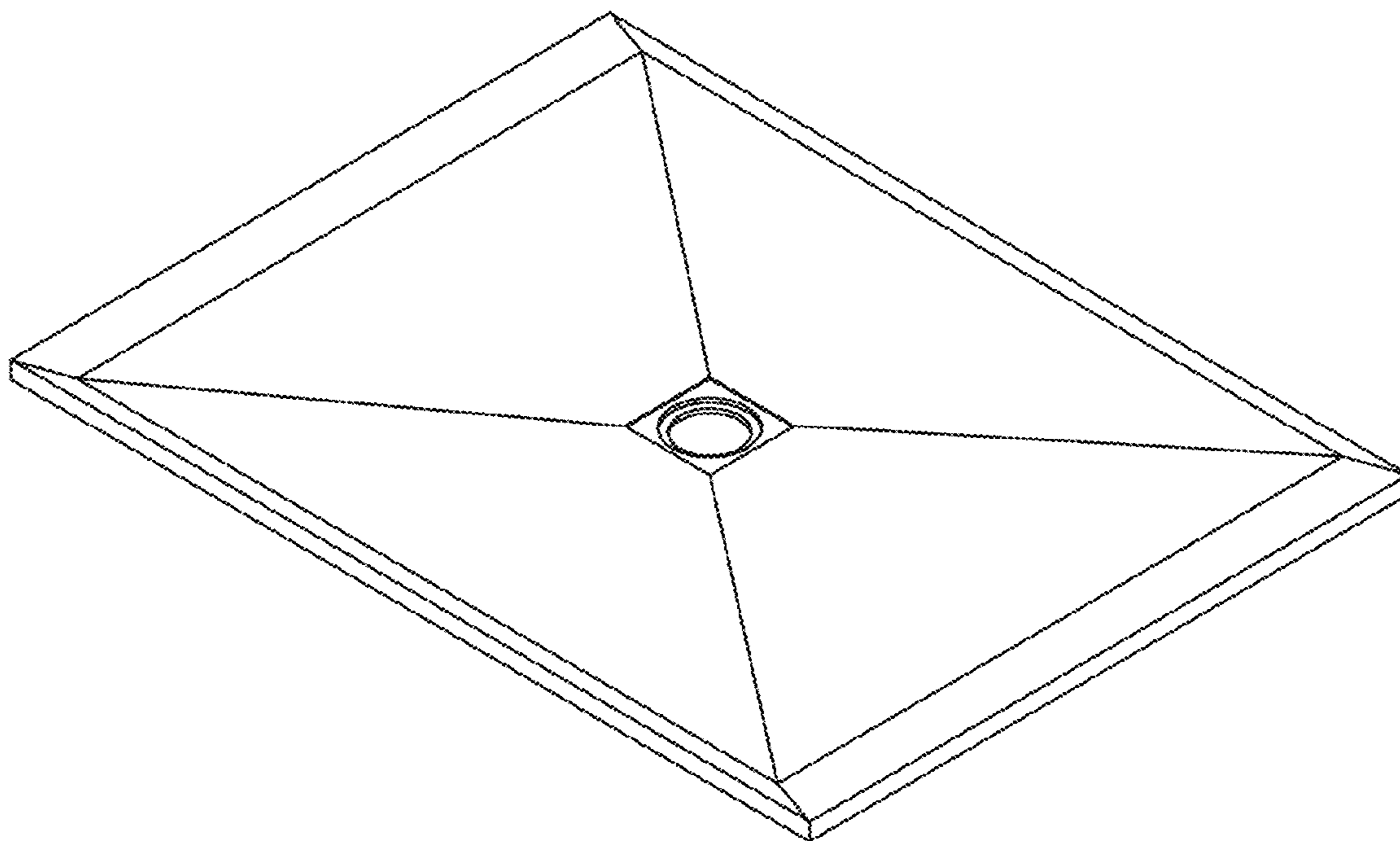
(57) **CLAIM**

The ornamental design for shower tray, as shown and described.

DESCRIPTION

FIG. 1 is a front perspective view of a shower tray according to the design;
FIG. 2 is a side view thereof;
FIG. 3 is a top view thereof;
FIG. 4 is another side view thereof.
FIG. 5 is a side view opposite to the view of FIG. 1.2;
FIG. 6 is a bottom view thereof; and,
FIG. 7 is a side view opposite to the view of FIG. 1.4.

1 Claim, 7 Drawing Sheets



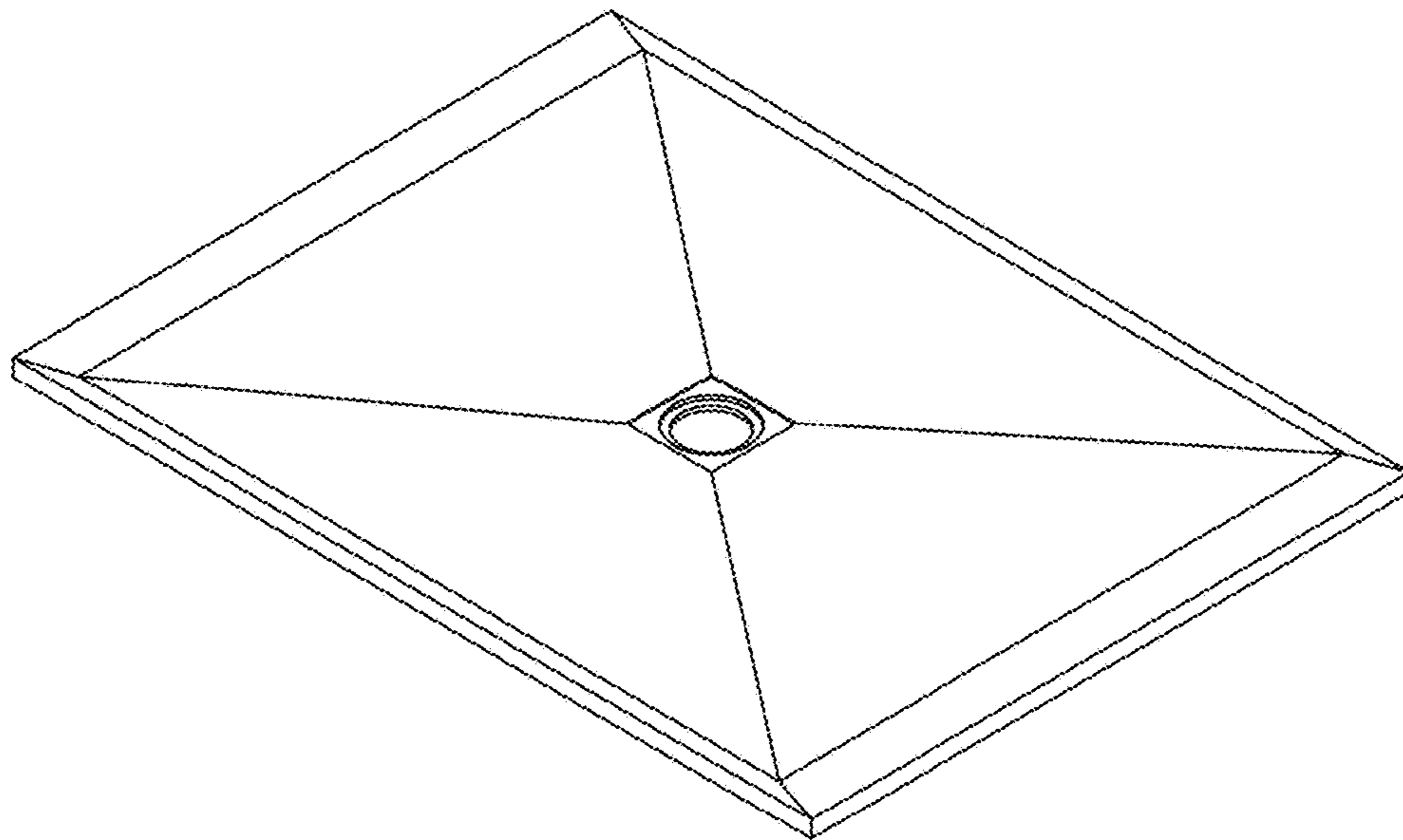


FIG.1



FIG. 2

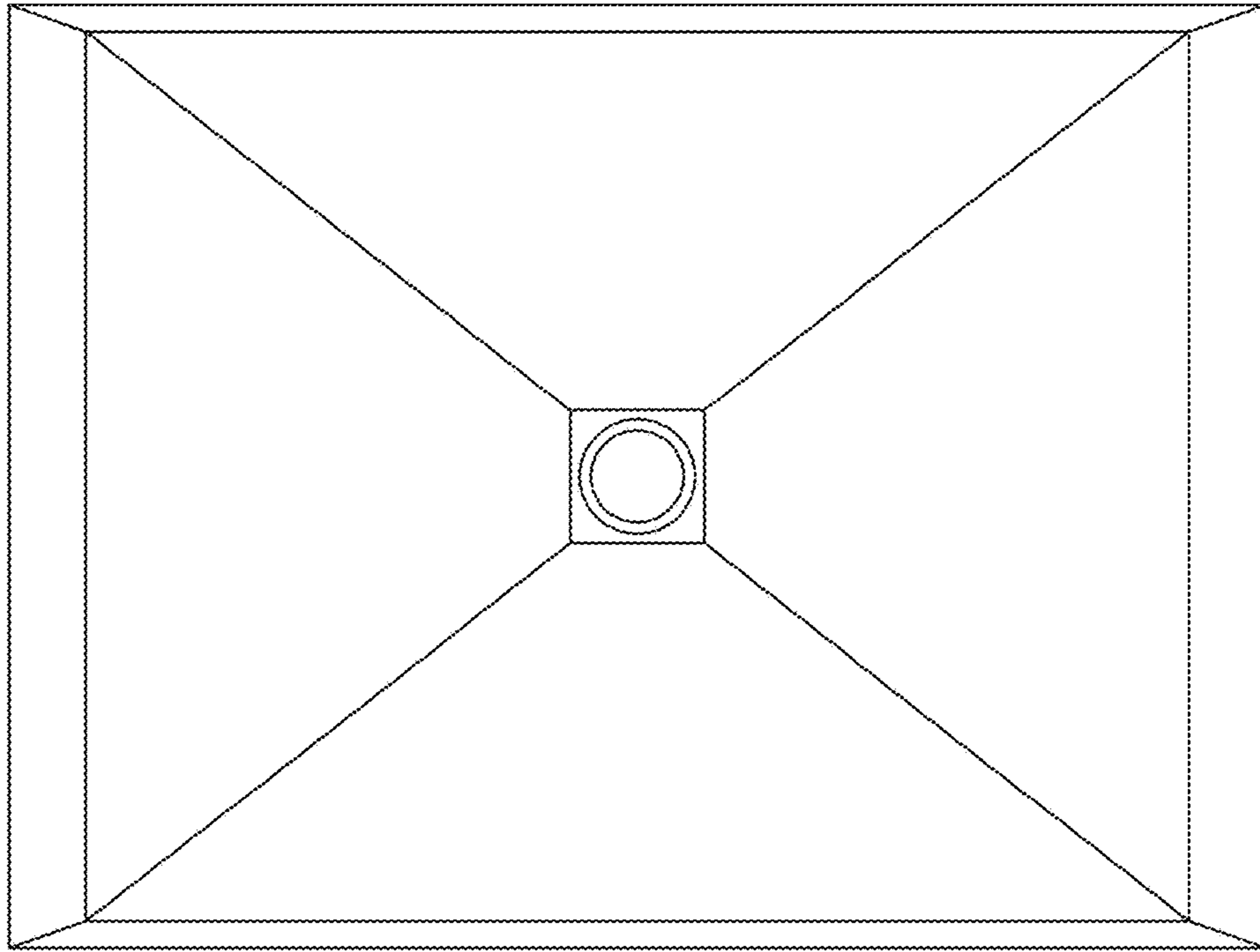


FIG. 3



FIG. 4



FIG. 5

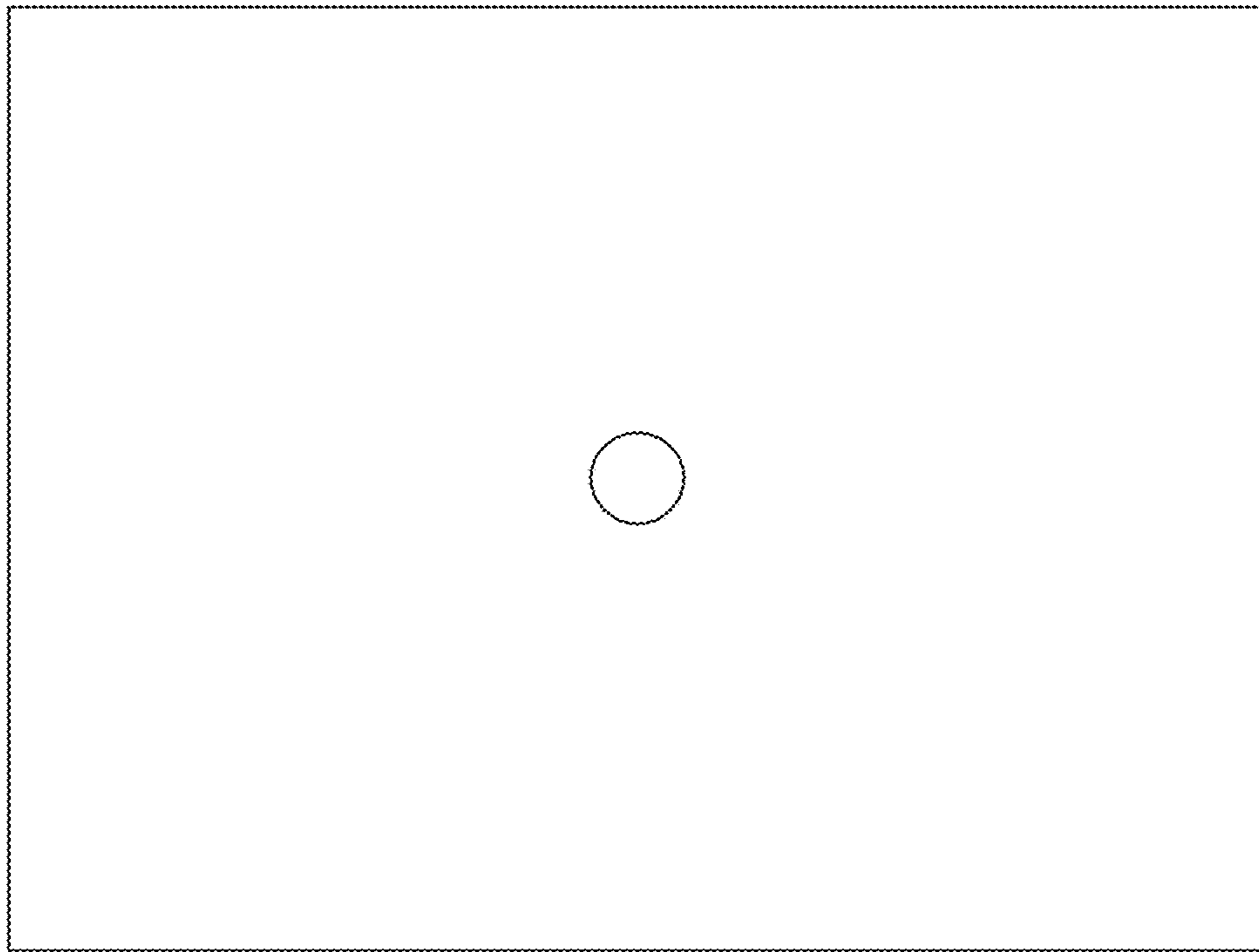


FIG. 6



FIG. 7