

US00D836754S

(12) **United States Design Patent** (10) **Patent No.:** **US D836,754 S**
Johanning et al. (45) **Date of Patent:** **** Dec. 25, 2018**

(54) **CONTROL VALVE ASSEMBLY**
(71) Applicant: **Dresser, Inc.**, Addison, TX (US)
(72) Inventors: **Jeffrey Louis Johanning**, Ponte Vedra, FL (US); **Abdul Raof Mohamed**, Jacksonville, FL (US); **Jayesh K Shah**, Palantine, IL (US)
(73) Assignee: **Dresser, LLC**, Addison, TX (US)
(**) Term: **15 Years**
(21) Appl. No.: **29/563,478**
(22) Filed: **May 5, 2016**
(51) **LOC (11) Cl.** **23-01**
(52) **U.S. Cl.**
USPC **D23/245**
(58) **Field of Classification Search**
USPC D23/233, 235, 237, 241, 244, 245;
137/2, 587, 624.27, 1, 553, 551;
251/324, 331
CPC A62C 35/68; F16K 15/00; F16K 37/00;
F16K 11/07; F16K 7/00; F16K 1/34;
F16K 1/00; F02M 37/00; F15D 1/00
See application file for complete search history.

2016/0169410 A1* 6/2016 Wheeler F16K 37/0041
137/551
2016/0279454 A1* 9/2016 Ringer A62C 35/645
2017/0022948 A1* 1/2017 Allen F02M 37/0023
2017/0326394 A1* 11/2017 Ringer F16K 37/0041

OTHER PUBLICATIONS

Johanning, J., et al., Control Valve Assembly, GE Co-Pending U.S. Appl. No. 62/331,997, filed May 5, 2016.
Johanning, J., et al., Torque Hub, GE Co-Pending U.S. Appl. No. 29/598,974, filed Mar. 30, 2017.

* cited by examiner

Primary Examiner — Cynthia Ramirez
Assistant Examiner — Gino Colan
(74) *Attorney, Agent, or Firm* — Paul Frank + Collins P.C.

(57) **CLAIM**

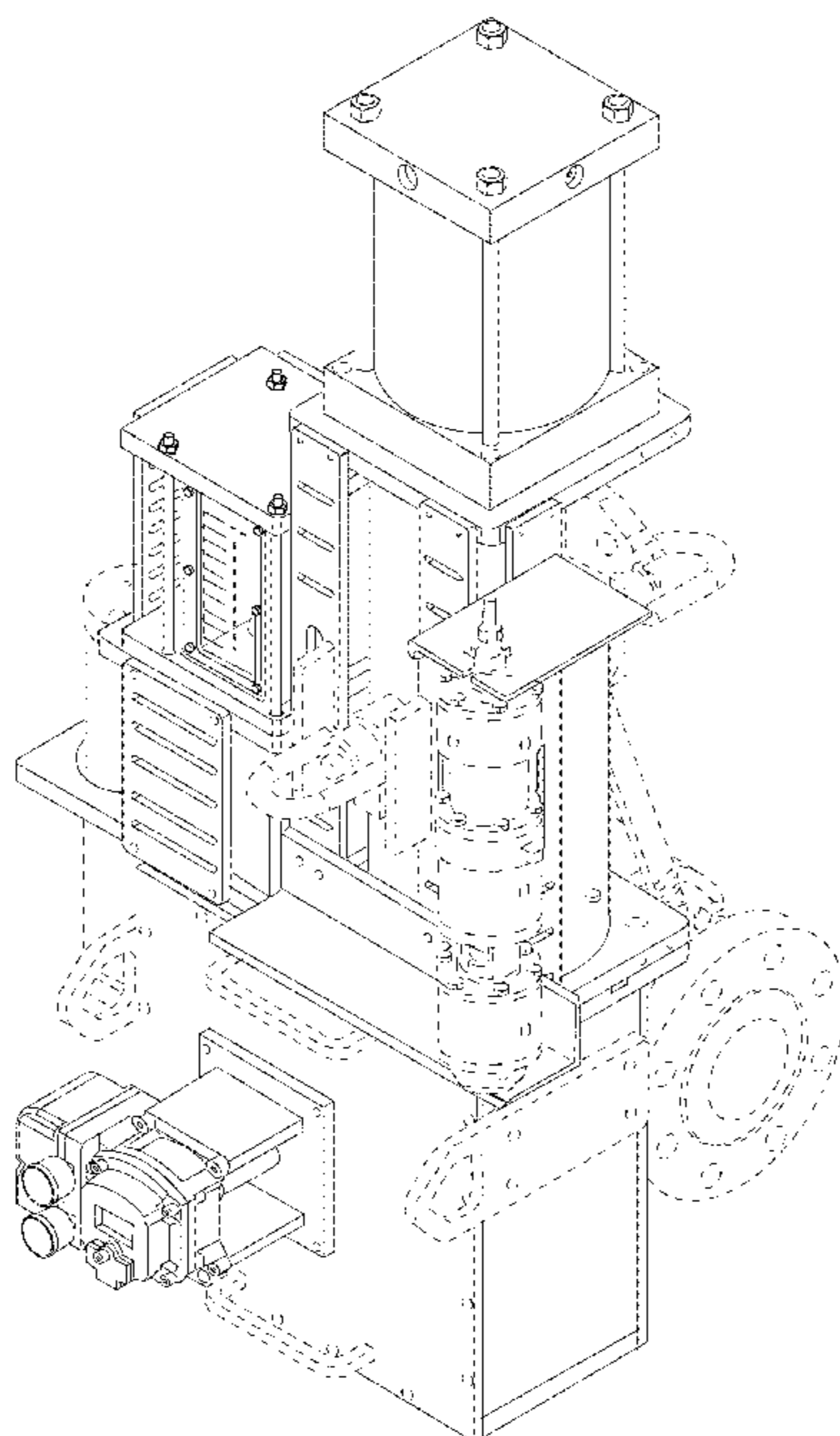
The ornamental design for a control valve assembly, as shown and described.

DESCRIPTION

FIG. 1 is a top perspective view of a control valve assembly showing our new design;
FIG. 2 is a front elevation view thereof;
FIG. 3 is a back elevation view thereof;
FIG. 4 is a left side elevation thereof;
FIG. 5 is a right side elevation thereof;
FIG. 6 is a top plan view thereof; and,
FIG. 7 is a bottom plan view thereof.
The broken lines shown in the figures are for the purpose of illustrating portions of the control valve assembly that form no part of the claimed design.

(56) **References Cited**
U.S. PATENT DOCUMENTS
2012/0161054 A1* 6/2012 Frank F16K 25/005
251/324
2012/0241659 A1* 9/2012 Clifford F16K 41/12
251/331
2013/0320252 A1* 12/2013 Hageman F16K 3/246
251/324

1 Claim, 7 Drawing Sheets



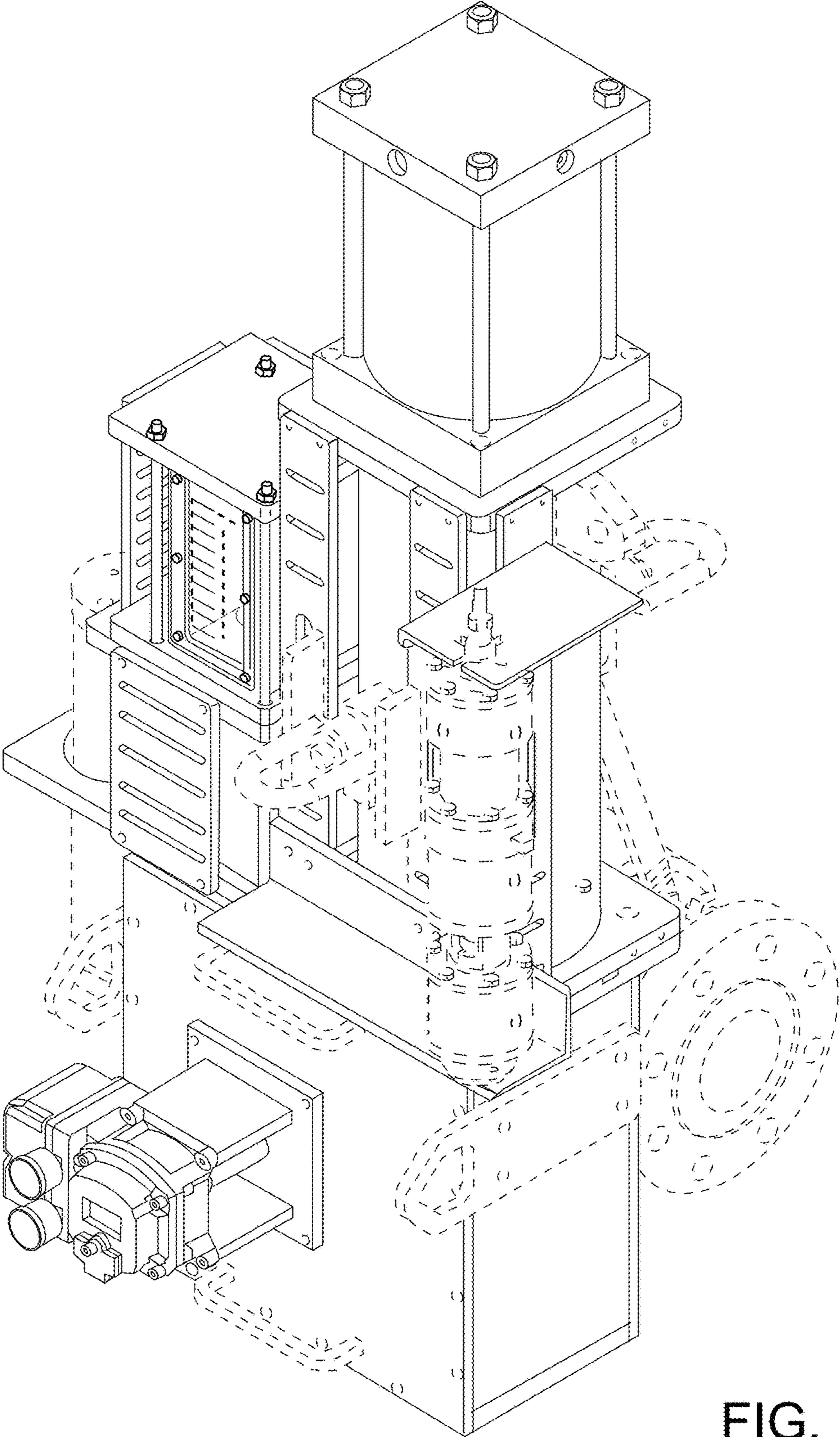


FIG. 1

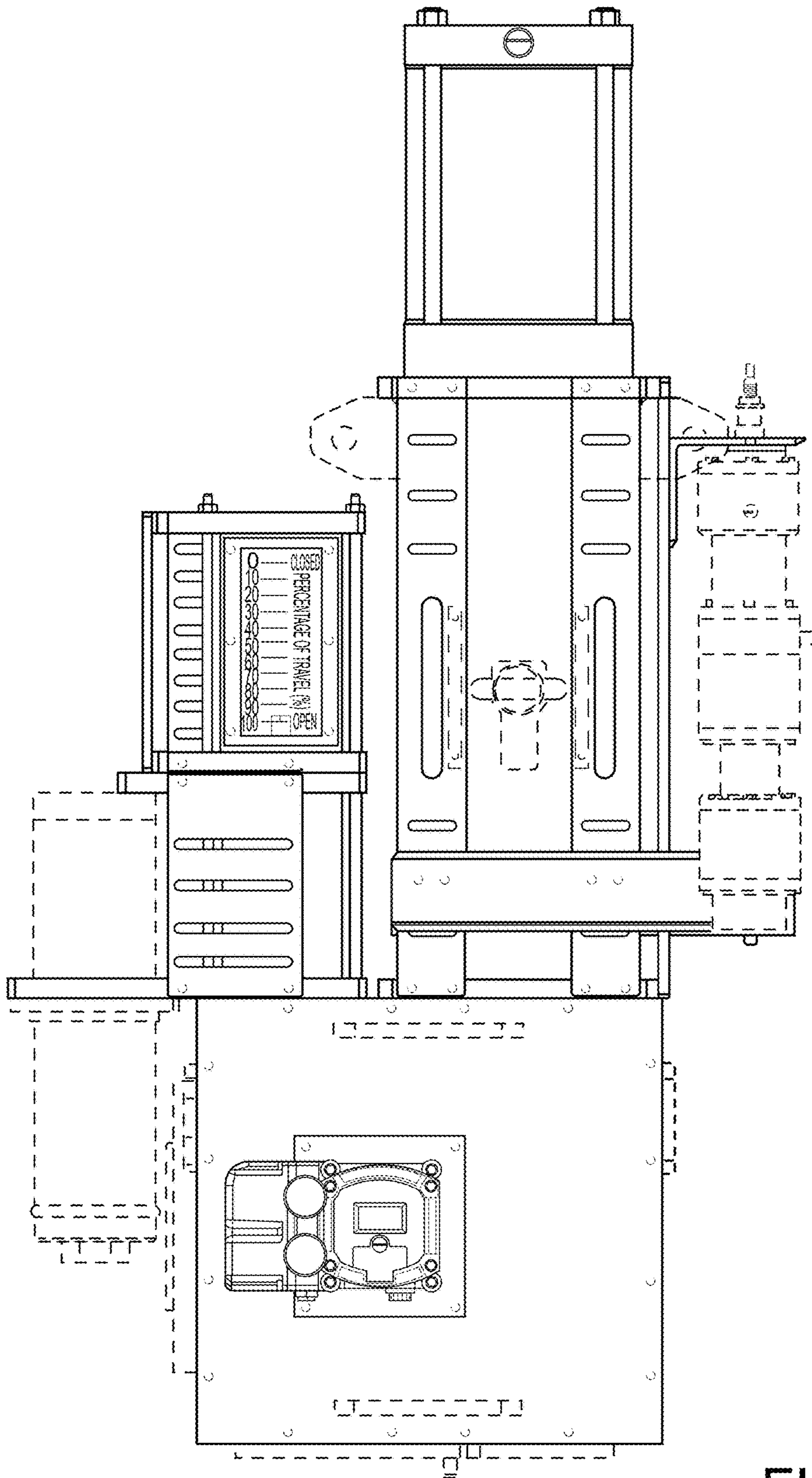


FIG. 2

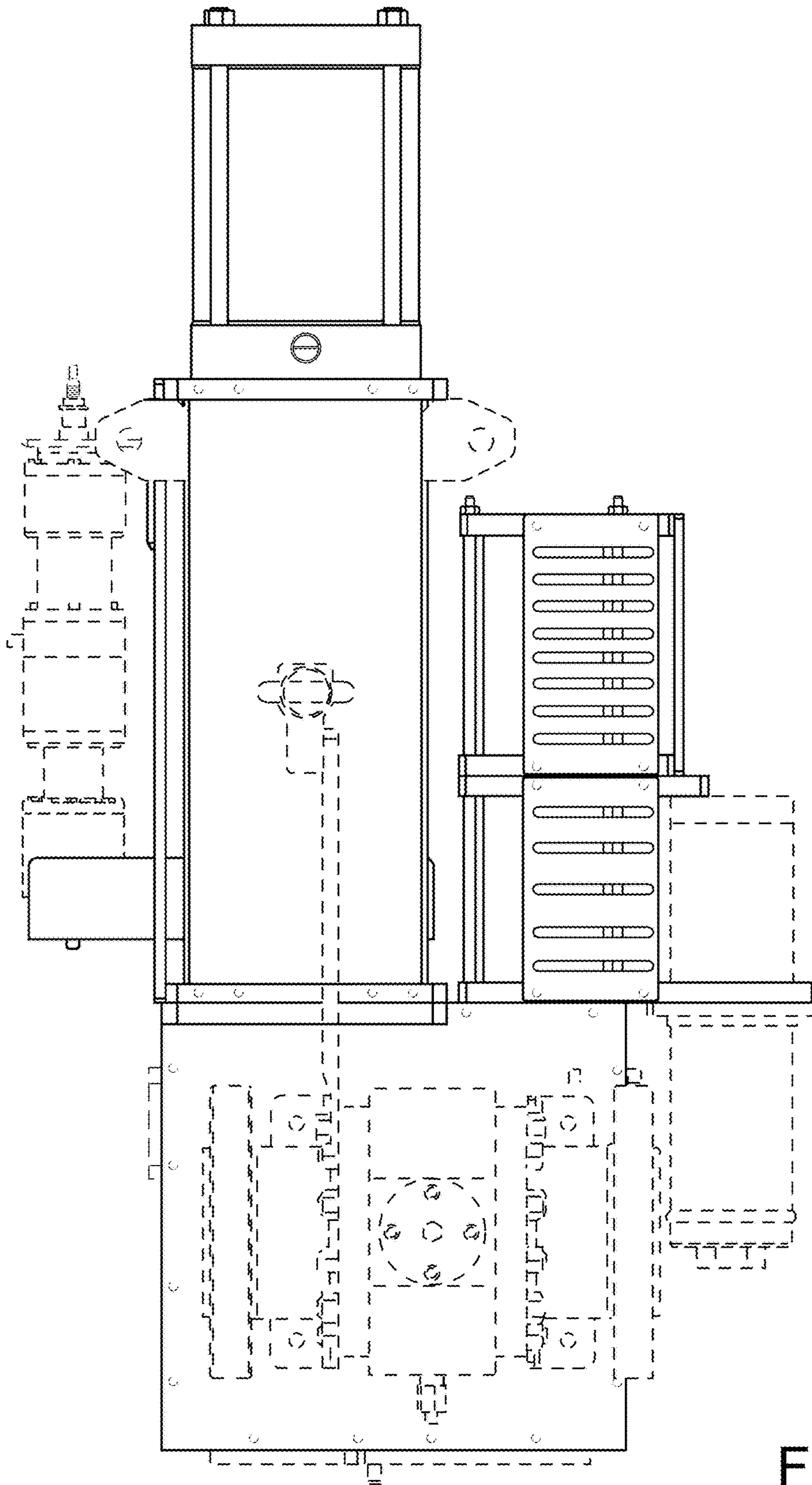


FIG. 3

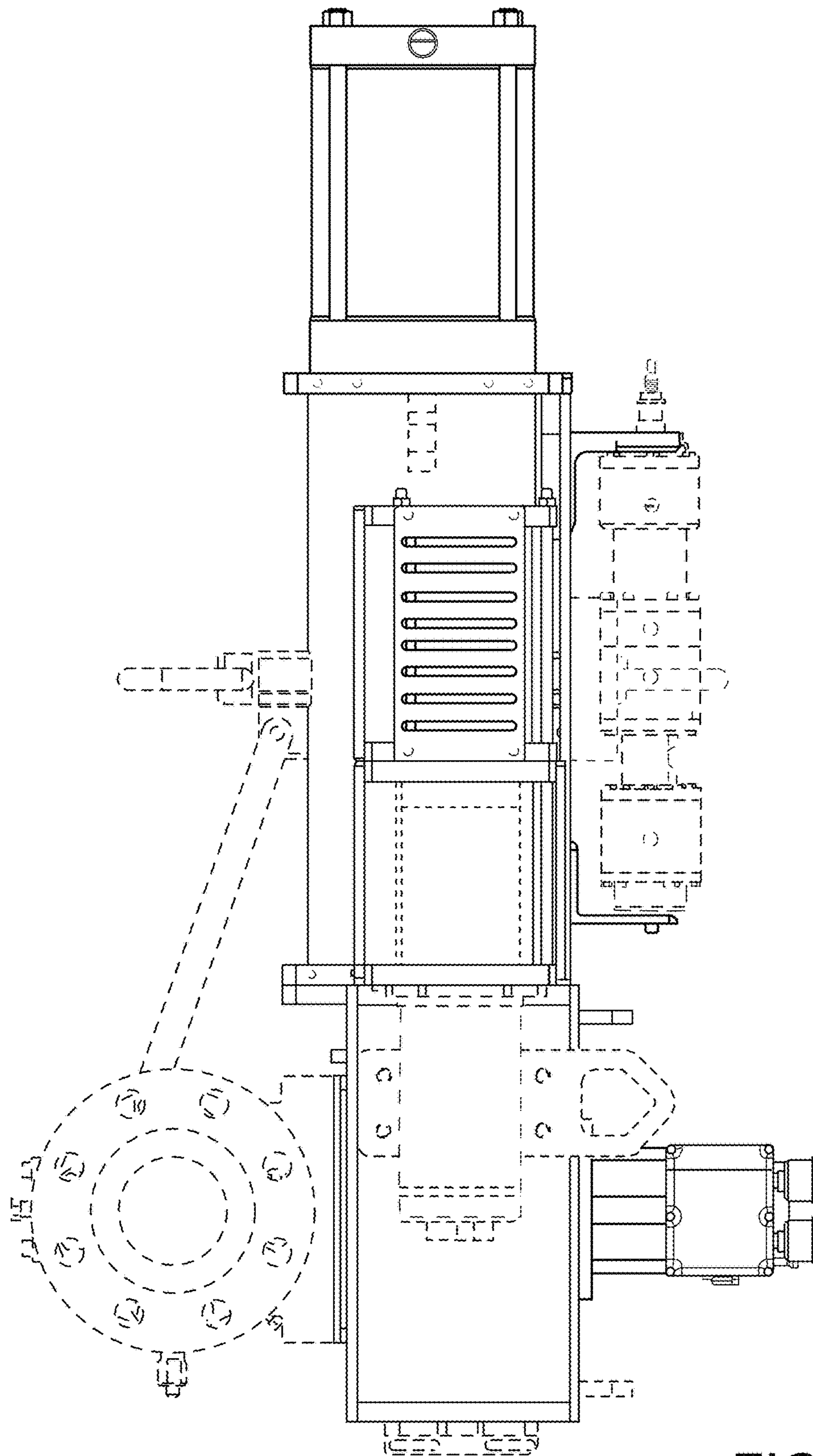


FIG. 4

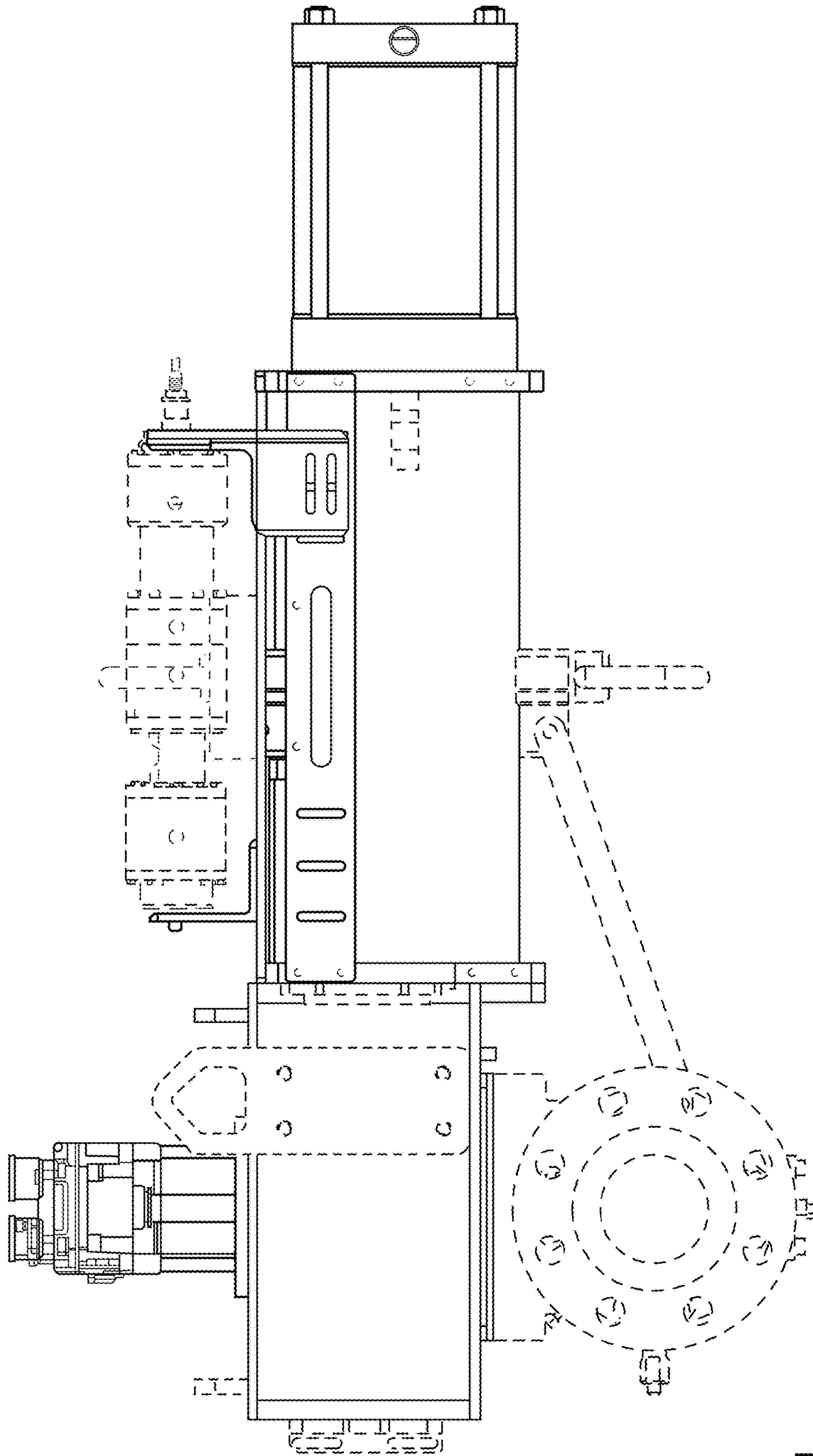


FIG. 5

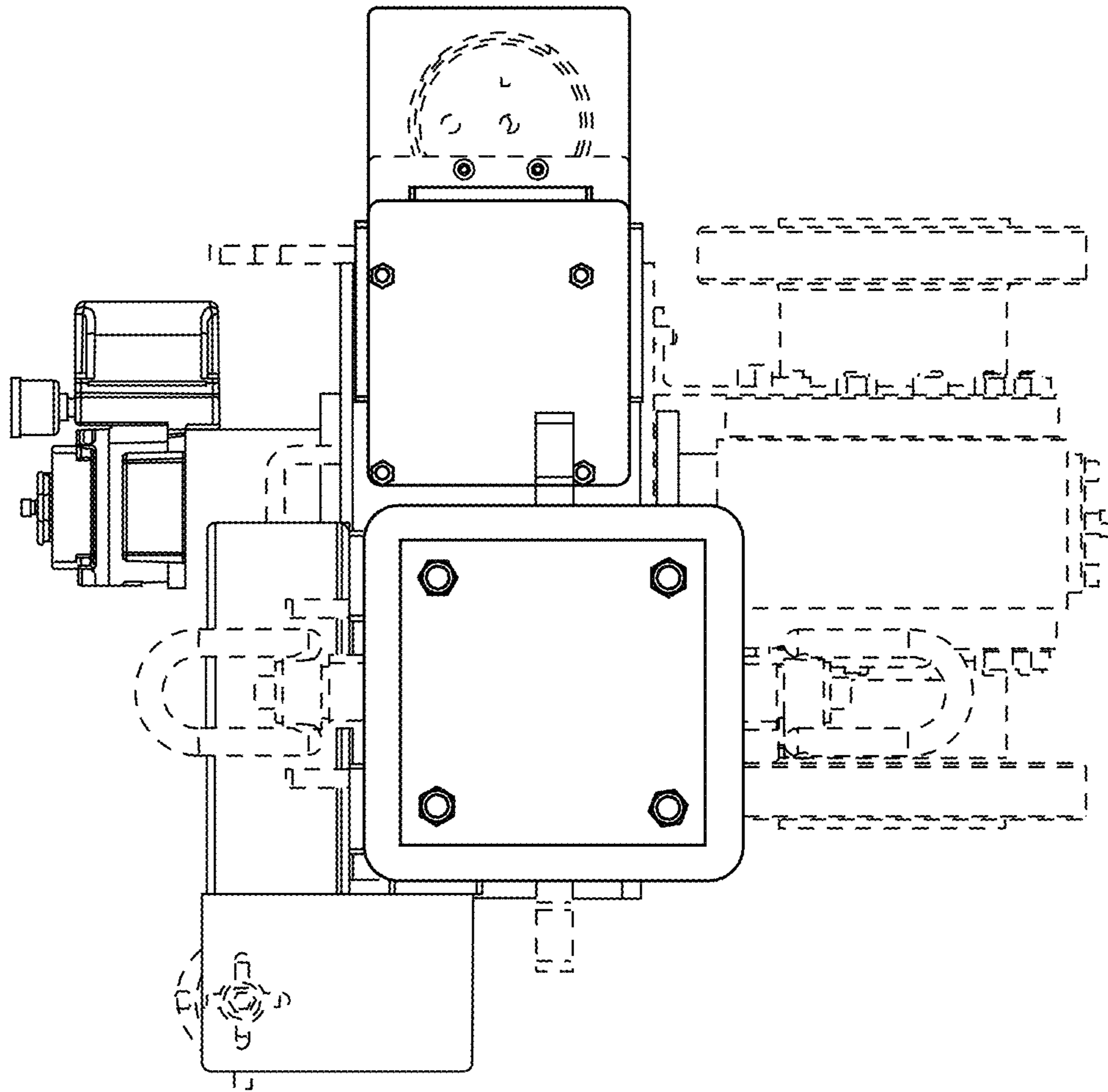


FIG. 6

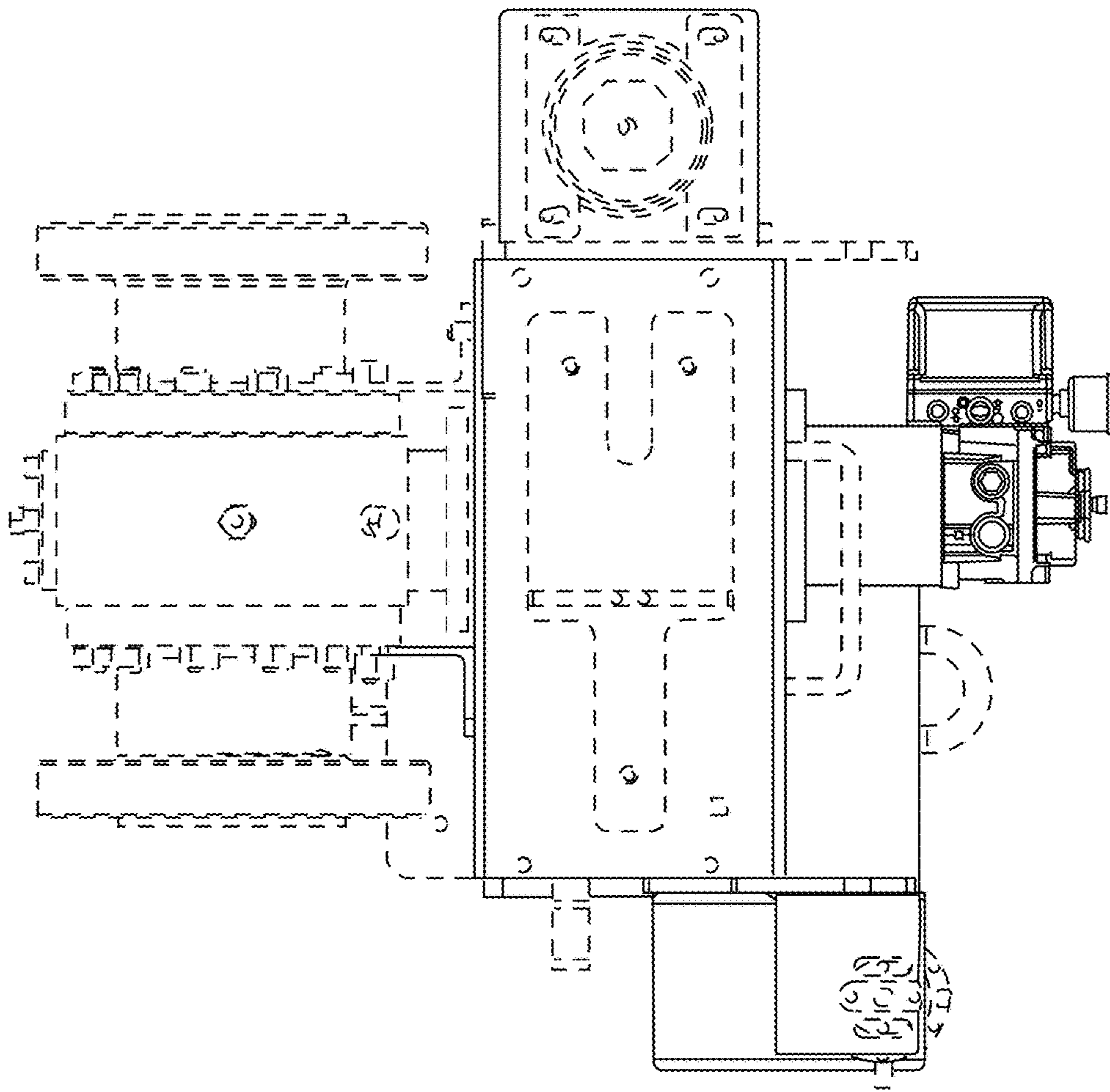


FIG. 7