

US00D836753S

(12) **United States Design Patent** (10) **Patent No.:** **US D836,753 S**  
**Nikles et al.** (45) **Date of Patent:** **\*\* Dec. 25, 2018**

(54) **AERATOR FOR TAPS** 4,951,329 A \* 8/1990 Shaw ..... A47K 3/001  
 4/568  
 (71) Applicant: **NIKLES TEC ITALIA S.R.L.**, Brescia D315,193 S \* 3/1991 Lach ..... D23/213  
 (IT) D329,488 S \* 9/1992 Santagada ..... D23/213  
 D403,557 S \* 1/1999 Kracke ..... D7/613  
 (72) Inventors: **Gerhard Nikles**, Brescia (IT); **Alberto** D408,504 S \* 4/1999 Bowen ..... D23/249  
**Morbio**, Brescia (IT) D773,015 S \* 11/2016 Shamoulia ..... D23/213

(73) Assignee: **NIKLES TEC ITALIA S.R.L.**, Brescia (IT)

(\*\*) Term: **15 Years**

(21) Appl. No.: **35/503,199**

(22) Filed: **Mar. 1, 2017**

(80) **Hague Agreement Data**

Int. Filing Date: **Mar. 1, 2017**  
 Int. Reg. No.: **DM/096418**  
 Int. Reg. Date: **Mar. 1, 2017**  
 Int. Reg. Pub. Date: **Jun. 23, 2017**

(30) **Foreign Application Priority Data**

Sep. 2, 2016 (WO) ..... DM/094193

(51) **LOC (11) Cl.** ..... **23-01**

(52) **U.S. Cl.**  
 USPC ..... **D23/213**

(58) **Field of Classification Search**

USPC ..... D23/213, 222, 249; D7/397, 398, 518,  
 D7/521, 313; 239/428.5; 261/DIG. 22;  
 D9/629, 600, 624, 661, 662  
 CPC ..... E03C 1/084; C02F 3/16  
 See application file for complete search history.

(56) **References Cited**

**U.S. PATENT DOCUMENTS**

D237,031 S \* 10/1975 Benes ..... D7/521  
 D305,926 S \* 2/1990 Butler ..... D21/618

**OTHER PUBLICATIONS**

[Online] <http://www.fortnumhomeimprovements.co.uk/site/index.php/new-grohe-rainshower-flower-collection/>. Posted online Apr. 23, 2014. Retrieved May 12, 2018.\*

\* cited by examiner

*Primary Examiner* — Melanie Pellegrini  
 (74) *Attorney, Agent, or Firm* — Thomas | Horstemeyer, LLP

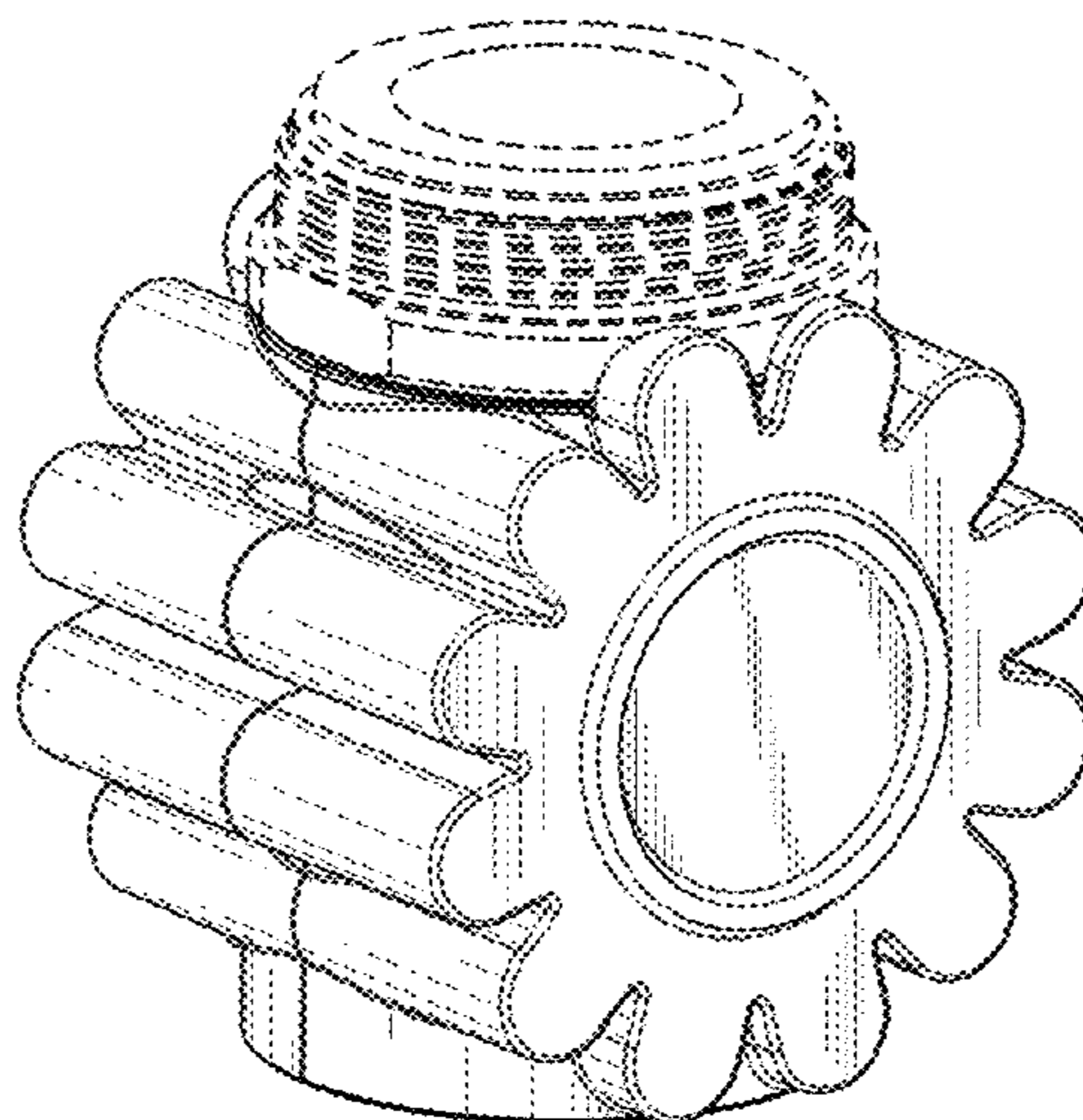
(57) **CLAIM**

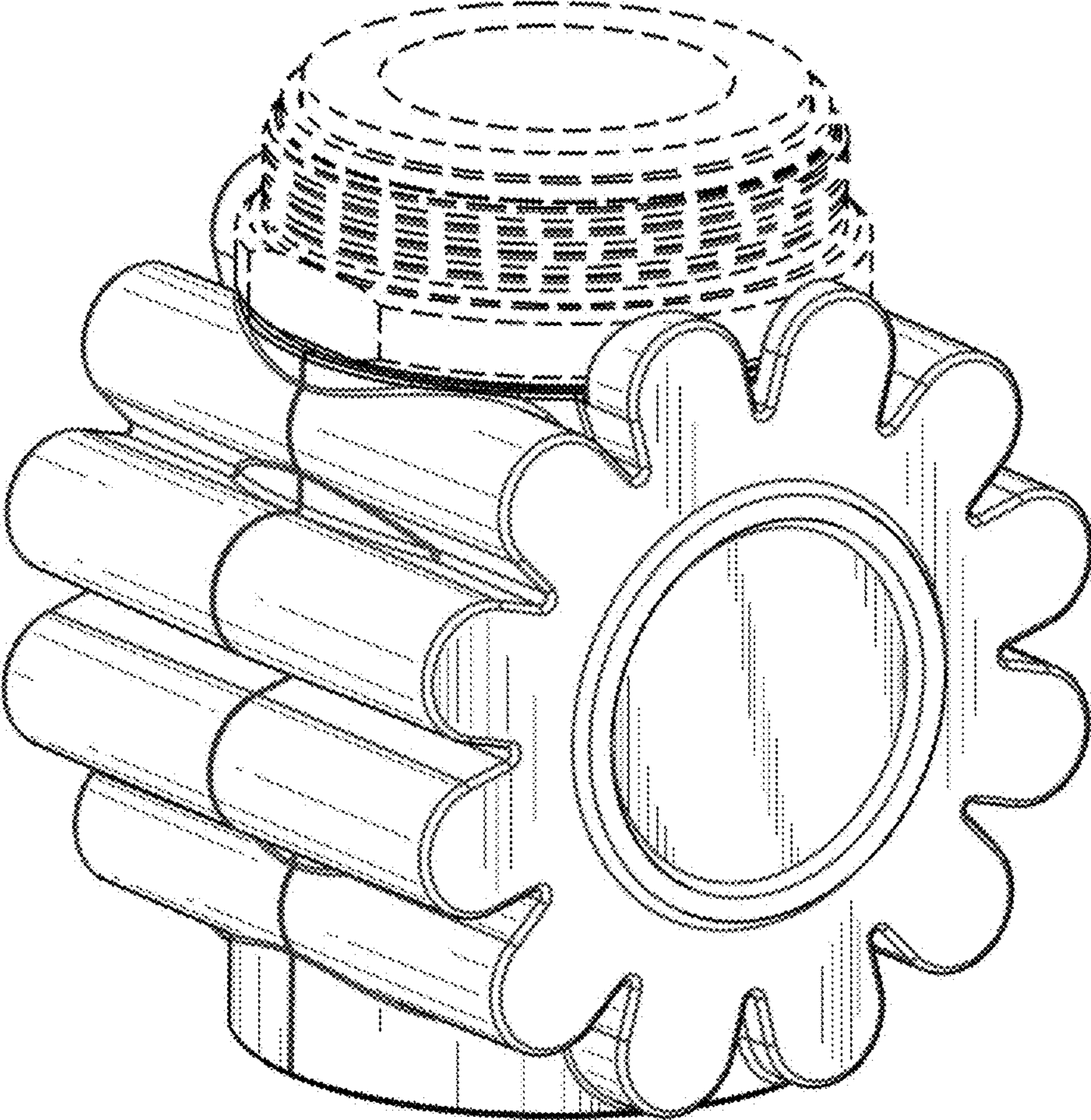
The ornamental design for an aerator for taps, as shown and described.

**DESCRIPTION**

**1.1** is a front and left side perspective view of an aerator for taps, showing our new design;  
**1.2** is a bottom and right side perspective view thereof;  
**1.3** is a front elevational view thereof;  
**1.4** is a side view thereof;  
**1.5** is a top view thereof; and  
**1.6** is bottom view thereof.  
 The broken lines are for the purpose of illustrating portions of the aerator for taps and form no part of the claimed design.

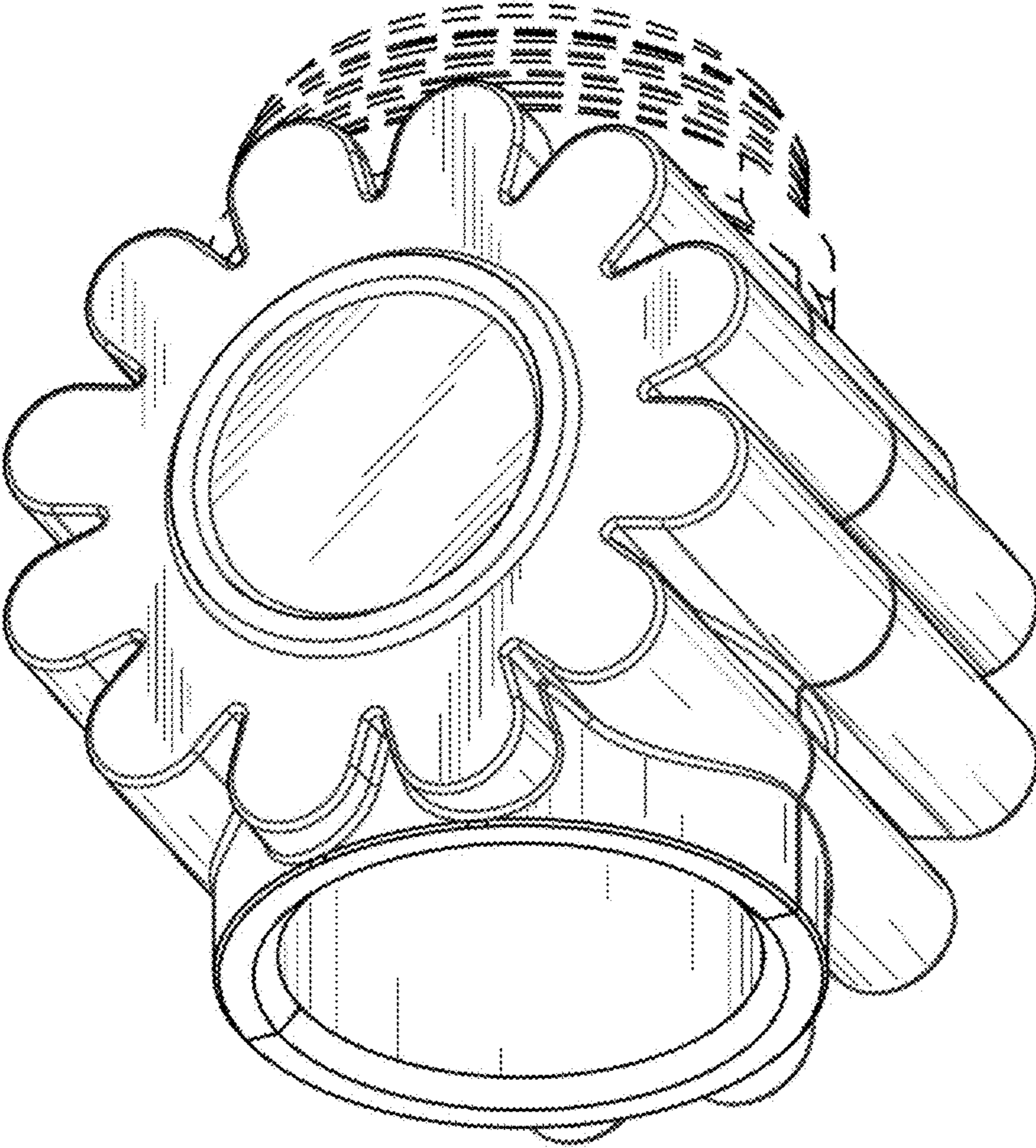
**1 Claim, 6 Drawing Sheets**



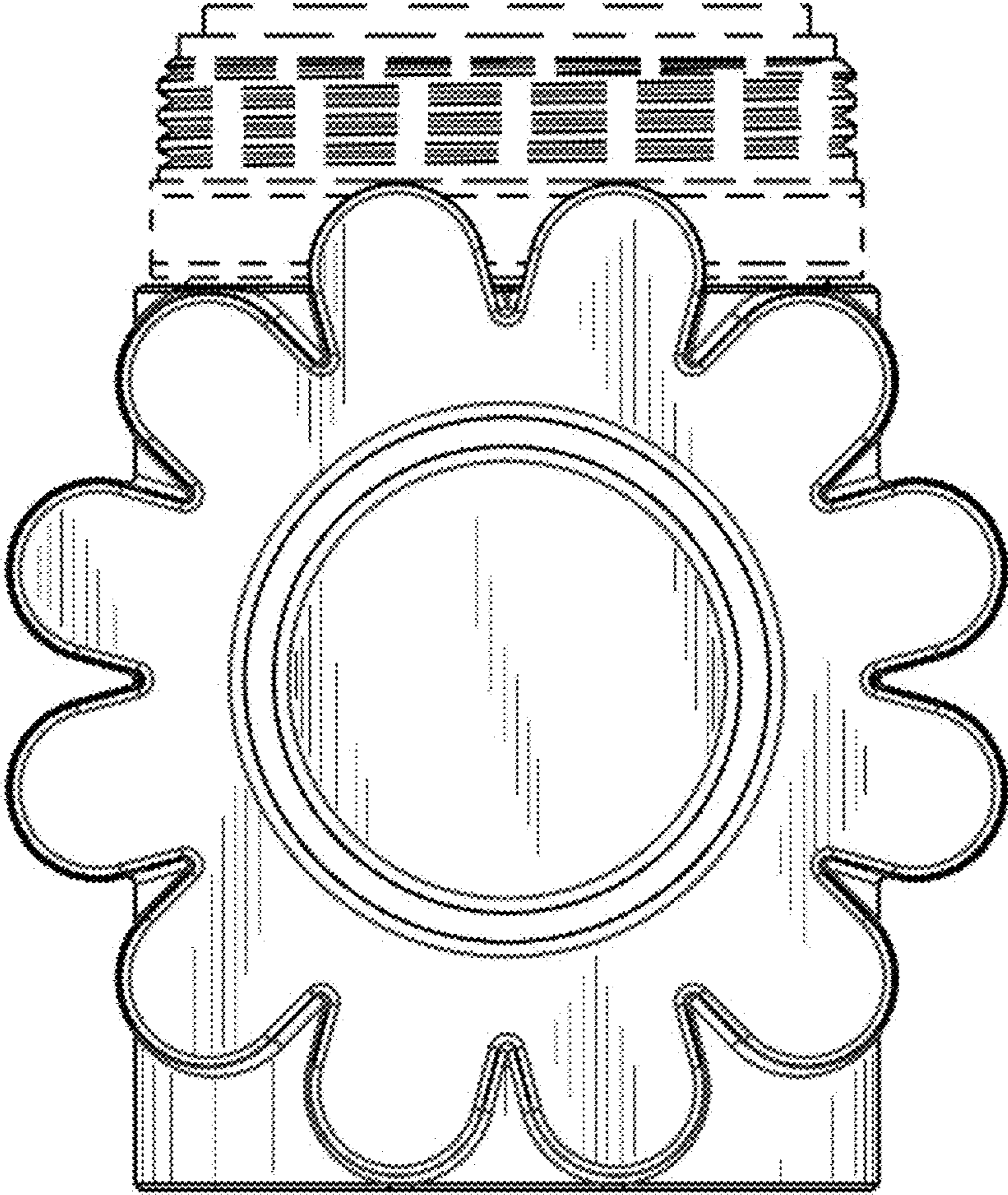


1.1

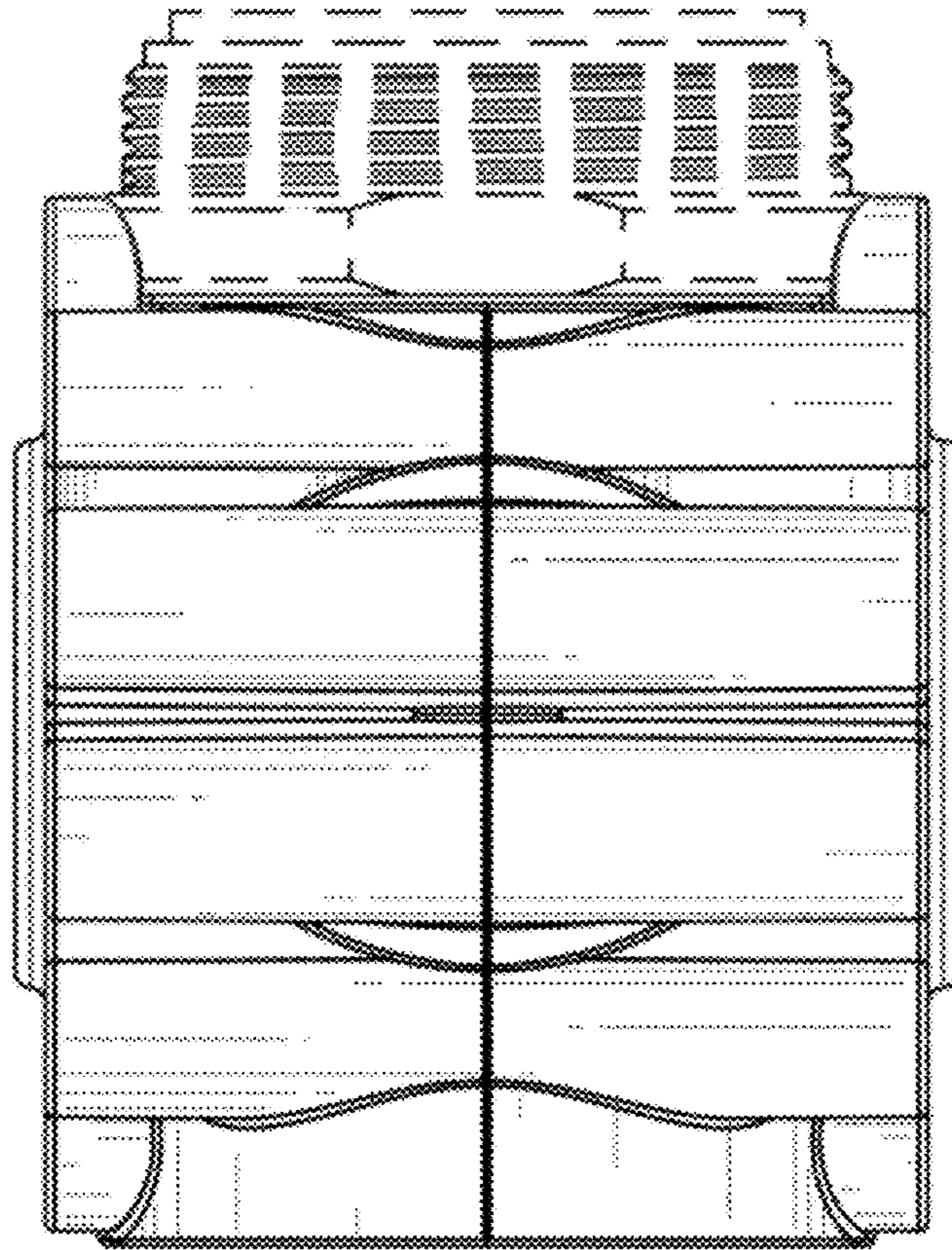




1.2

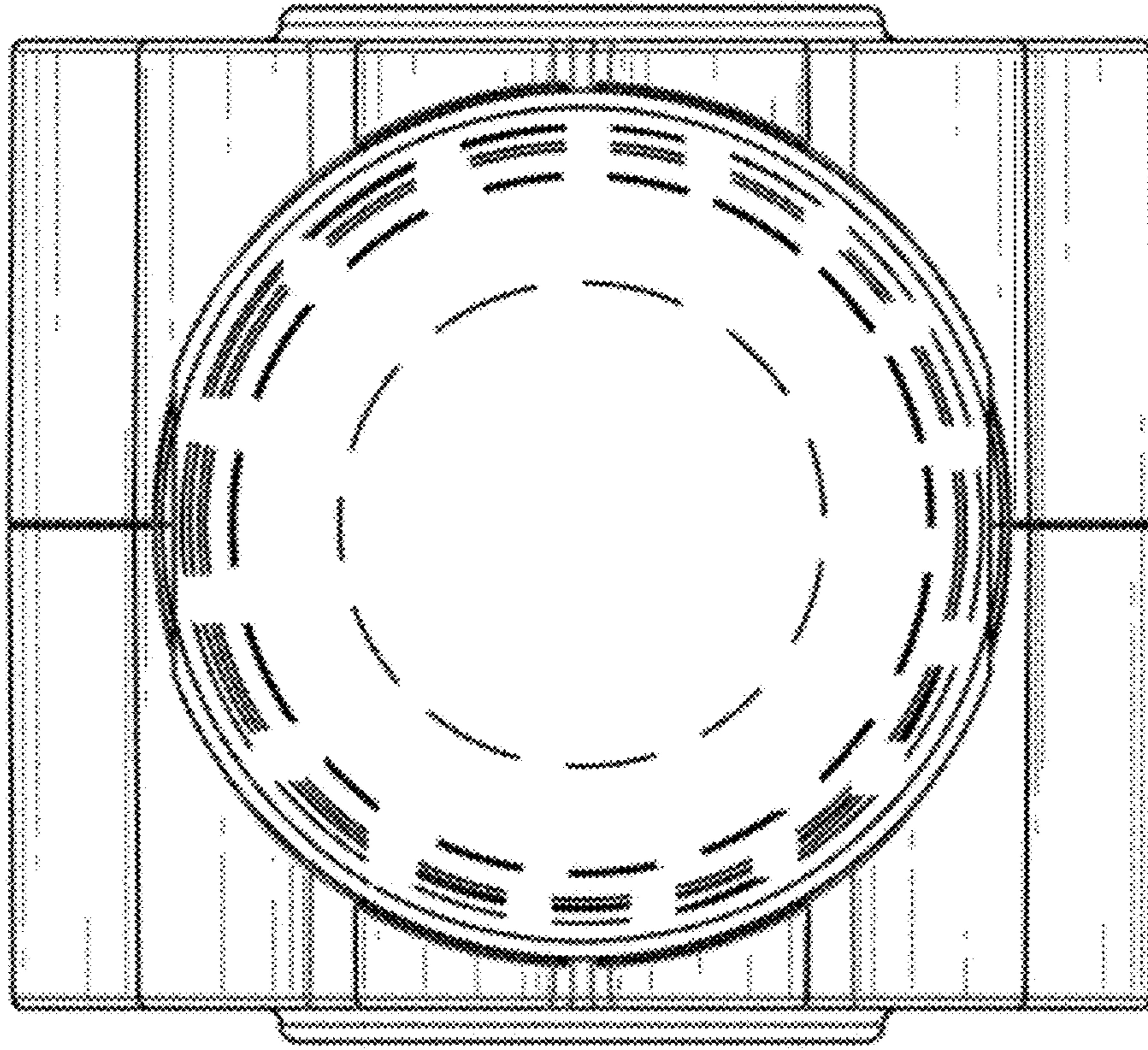


1.3

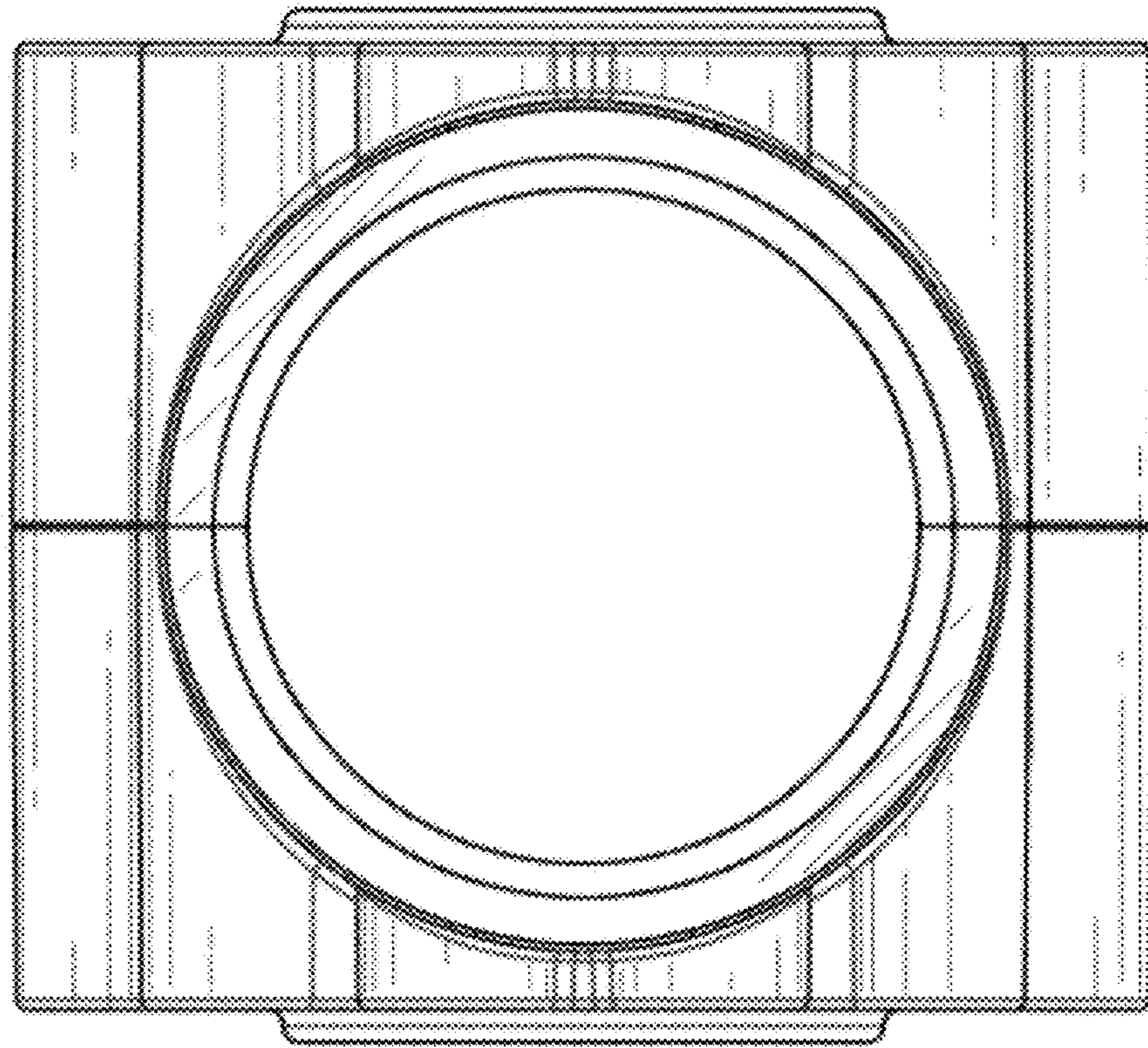


1.4





1.5



1.6