



US00D836752S

(12) **United States Design Patent**
Hsu et al.

(10) **Patent No.:** **US D836,752 S**
(45) **Date of Patent:** **** Dec. 25, 2018**

- (54) **SALTWATER SYSTEM** 7,897,019 B2 * 3/2011 Akers B01D 1/14
203/10
- (71) Applicant: **Intex Marketing Ltd.**, Tortola (VG) D682,387 S * 5/2013 Tseng D23/207
D682,985 S * 5/2013 Palmer D23/209
- (72) Inventors: **Yaw Yuan Hsu**, Fujian (CN); **Zhi Xiong Huang**, Fujian (CN); **Yonggui Chen**, Fujian (CN); **James Sener**, Glastonbury, CT (US); **Christopher David Hageman**, Glastonbury, CT (US); **Scott Herman Smith**, Hartford, CT (US) D706,386 S * 6/2014 Ambler D23/207
D707,792 S * 6/2014 Collins B01D 1/14
D23/209
D727,460 S * 4/2015 Collins B01D 1/0082
D23/207
D731,618 S * 6/2015 Yeh B01D 1/04
D23/209

(73) Assignee: **Intex Marketing Ltd.**, Tortola (VG)

(**) Term: **15 Years**

(21) Appl. No.: **29/655,937**

(22) Filed: **Jul. 9, 2018**

Related U.S. Application Data

(62) Division of application No. 29/613,746, filed on Aug. 13, 2017.

(30) **Foreign Application Priority Data**

Feb. 14, 2017 (CN) 2017 3 0039124

(51) **LOC (11) Cl.** **23-01**

(52) **U.S. Cl.**
USPC **D23/207**

(58) **Field of Classification Search**

USPC D23/207, 209; 202/232, 234
CPC . C02F 1/003; C02F 1/42; C02F 3/305; B01D 35/30; B01D 35/153; B01D 29/111; B01D 39/12; B29C 47/682

See application file for complete search history.

(56) **References Cited**

U.S. PATENT DOCUMENTS

- 4,537,039 A * 8/1985 Fearon B01D 1/04
202/233
- 5,645,693 A * 7/1997 Gode B01D 1/0082
202/173

OTHER PUBLICATIONS

Intex, Manual of "Krystal Clear Saltwater System", Model CS7110, Jun. 28, 2013.
Intex, Manual of "Saltwater System with E.C.O. (Electrocatalytic Oxidation)", Model EC7110 and 8110, May 15, 2015.

* cited by examiner

Primary Examiner — Robin V Webster

(74) *Attorney, Agent, or Firm* — Faegre Baker Daniels LLP

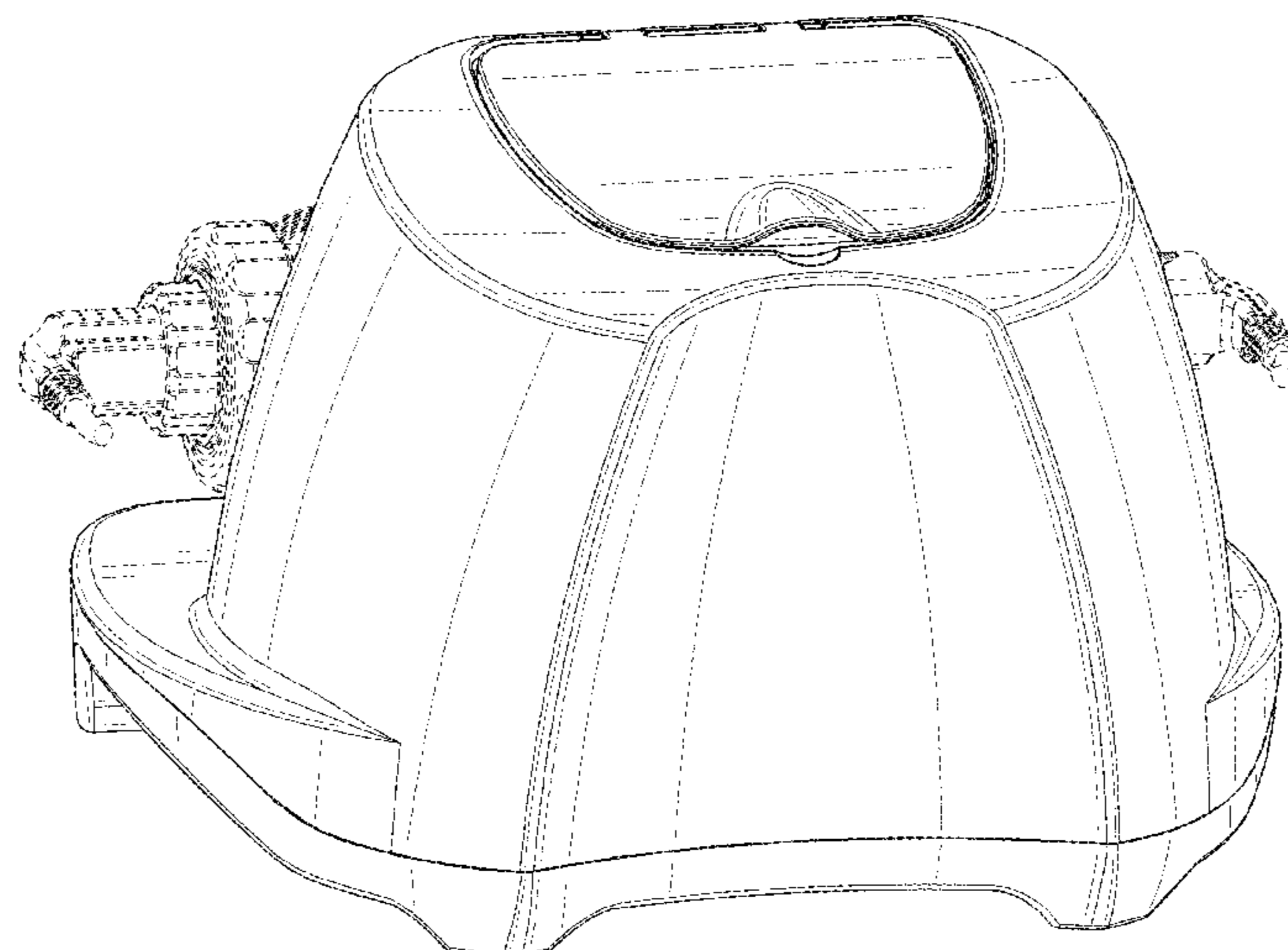
(57) **CLAIM**

We claim the ornamental design for a saltwater system, as shown and described.

DESCRIPTION

FIG. 1 is a front, perspective view of a saltwater system; FIG. 2 is a rear, perspective view thereof; FIG. 3 is a front, elevational view thereof; FIG. 4 is a rear, elevational view thereof; FIG. 5 is a left side elevational view thereof; FIG. 6 is a right side elevational view thereof; FIG. 7 is a top plan view thereof; and, FIG. 8 is a bottom plan view thereof. The broken lines in FIGS. 1-8 represent portions of the saltwater system that form no part of the claimed design.

1 Claim, 8 Drawing Sheets



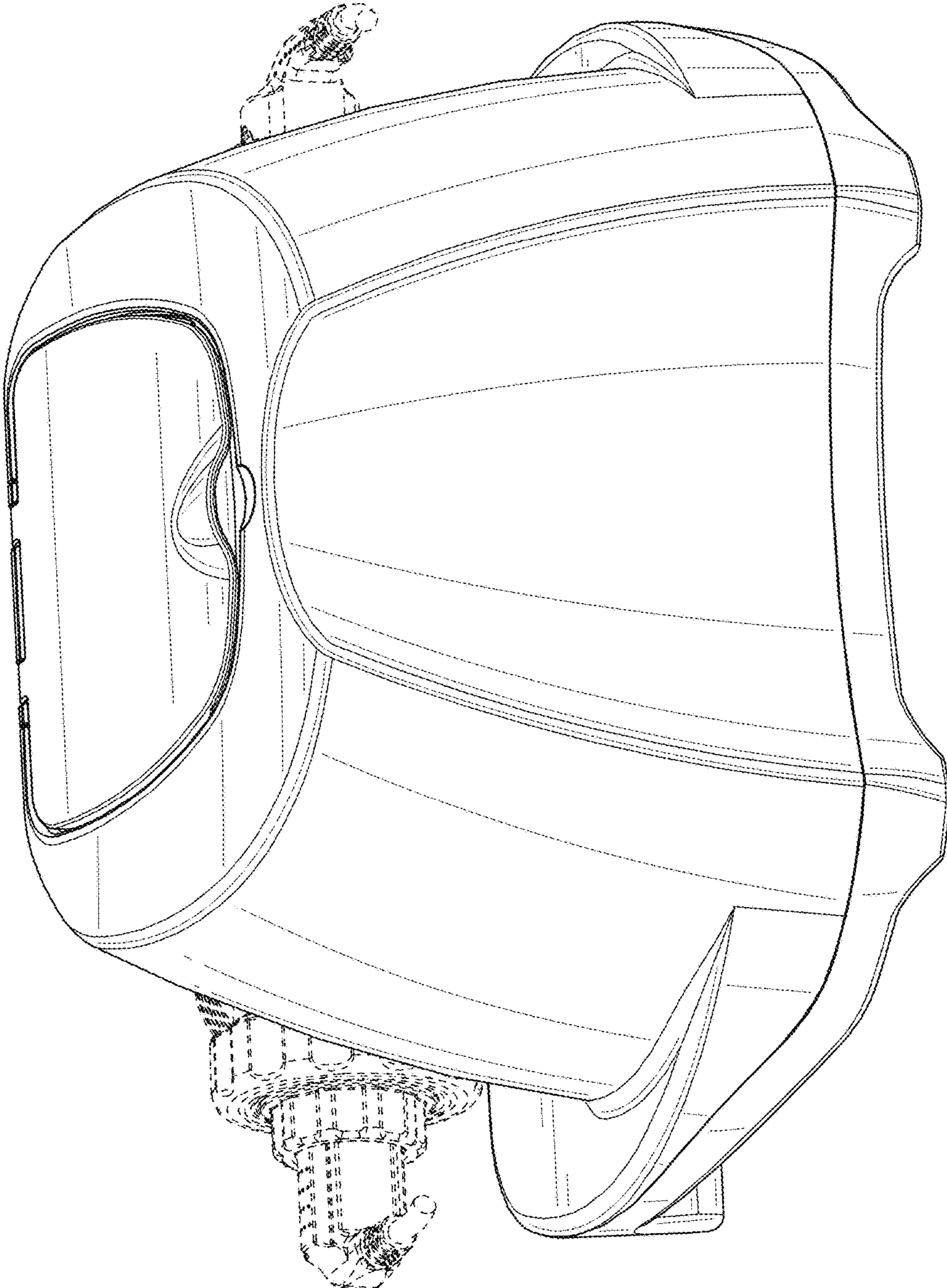


FIG. 1

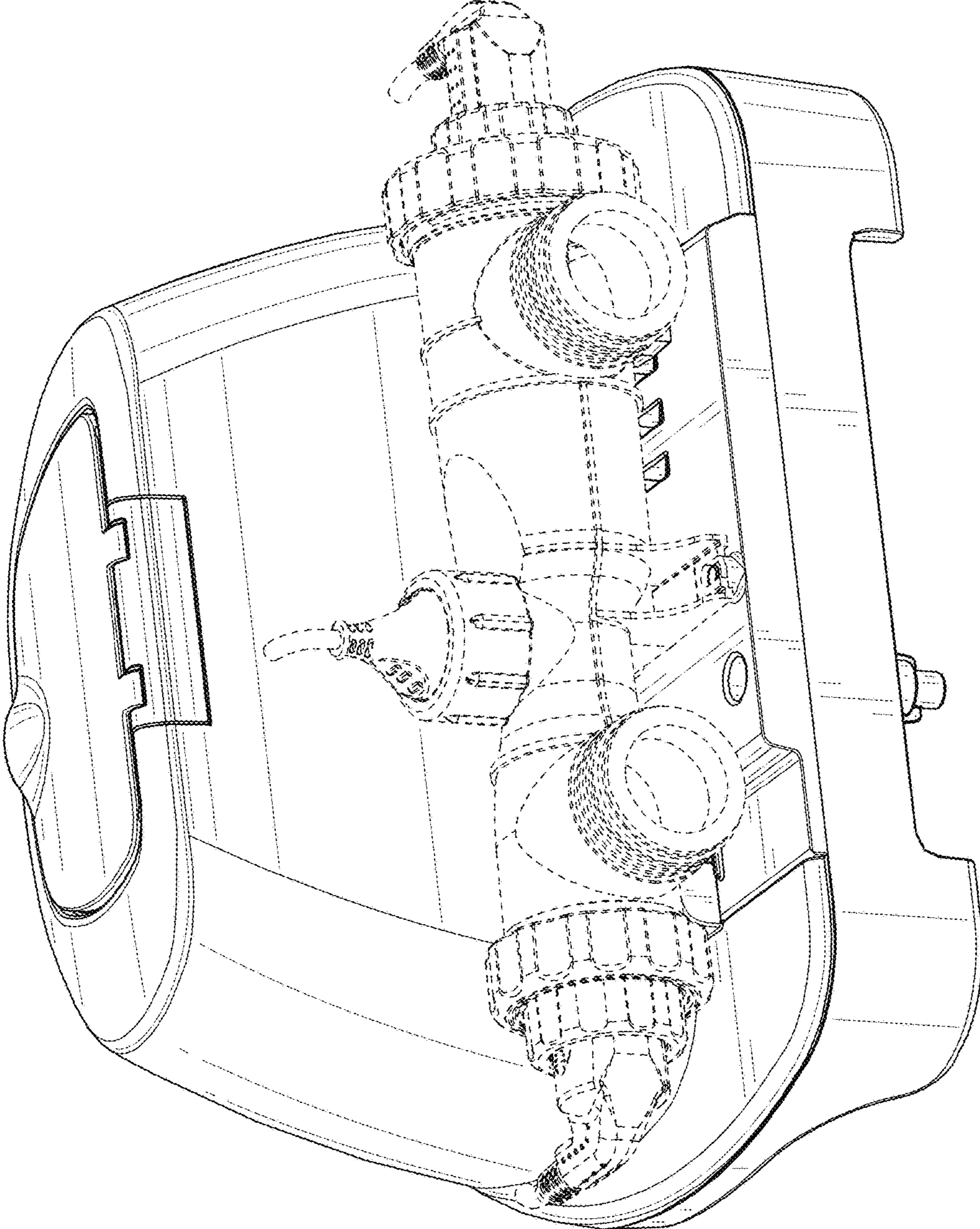


FIG. 2

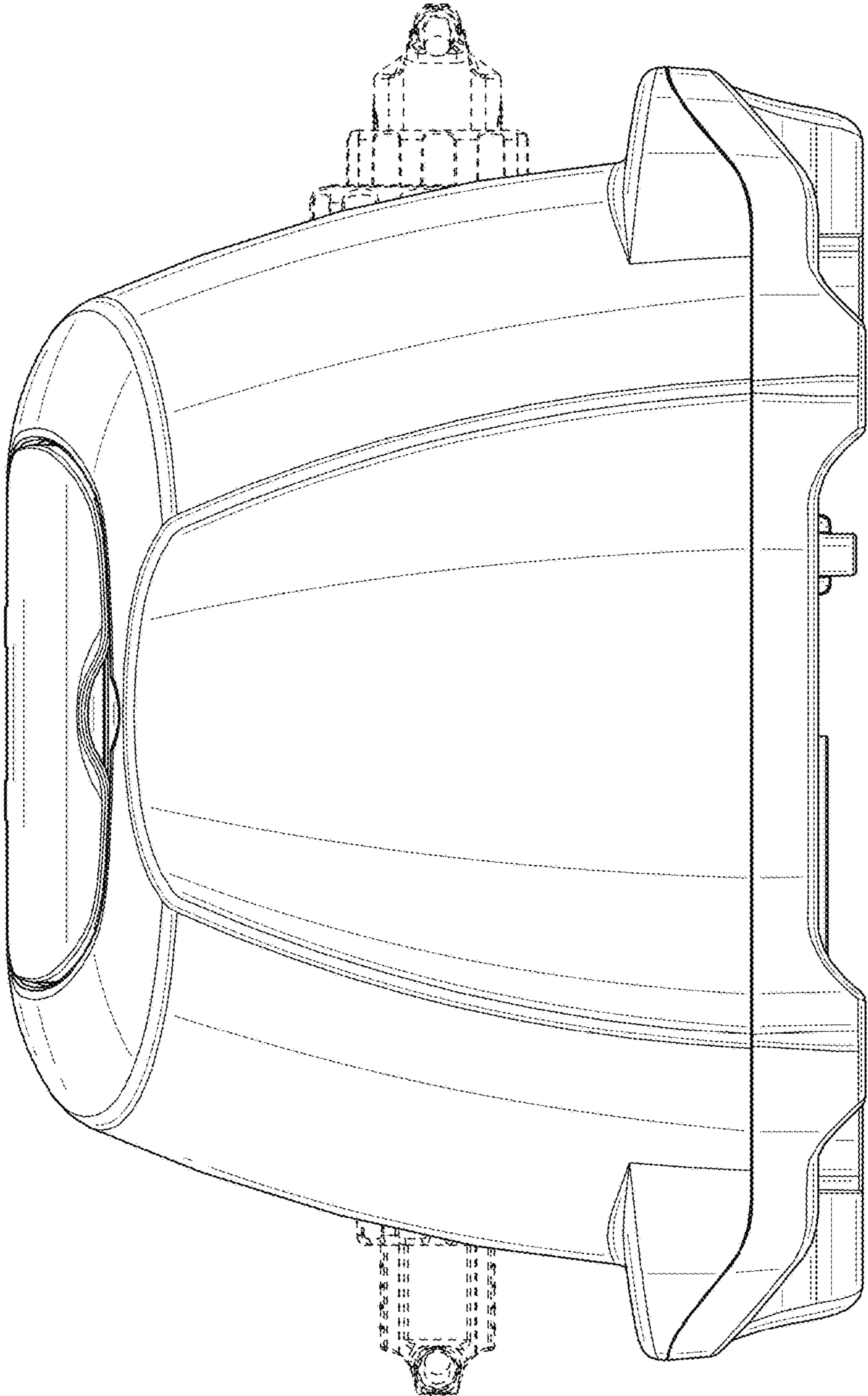


FIG. 3

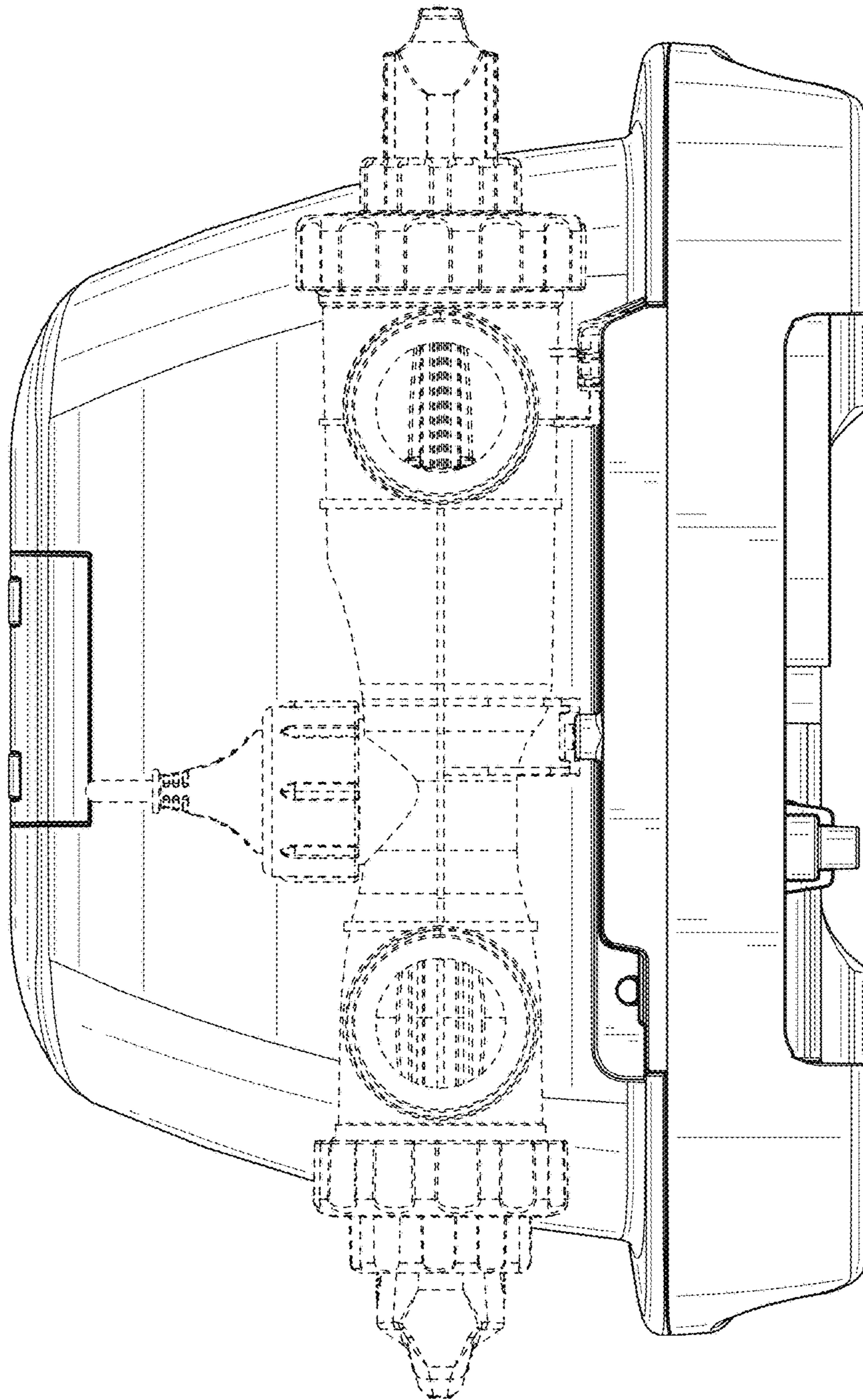


FIG. 4

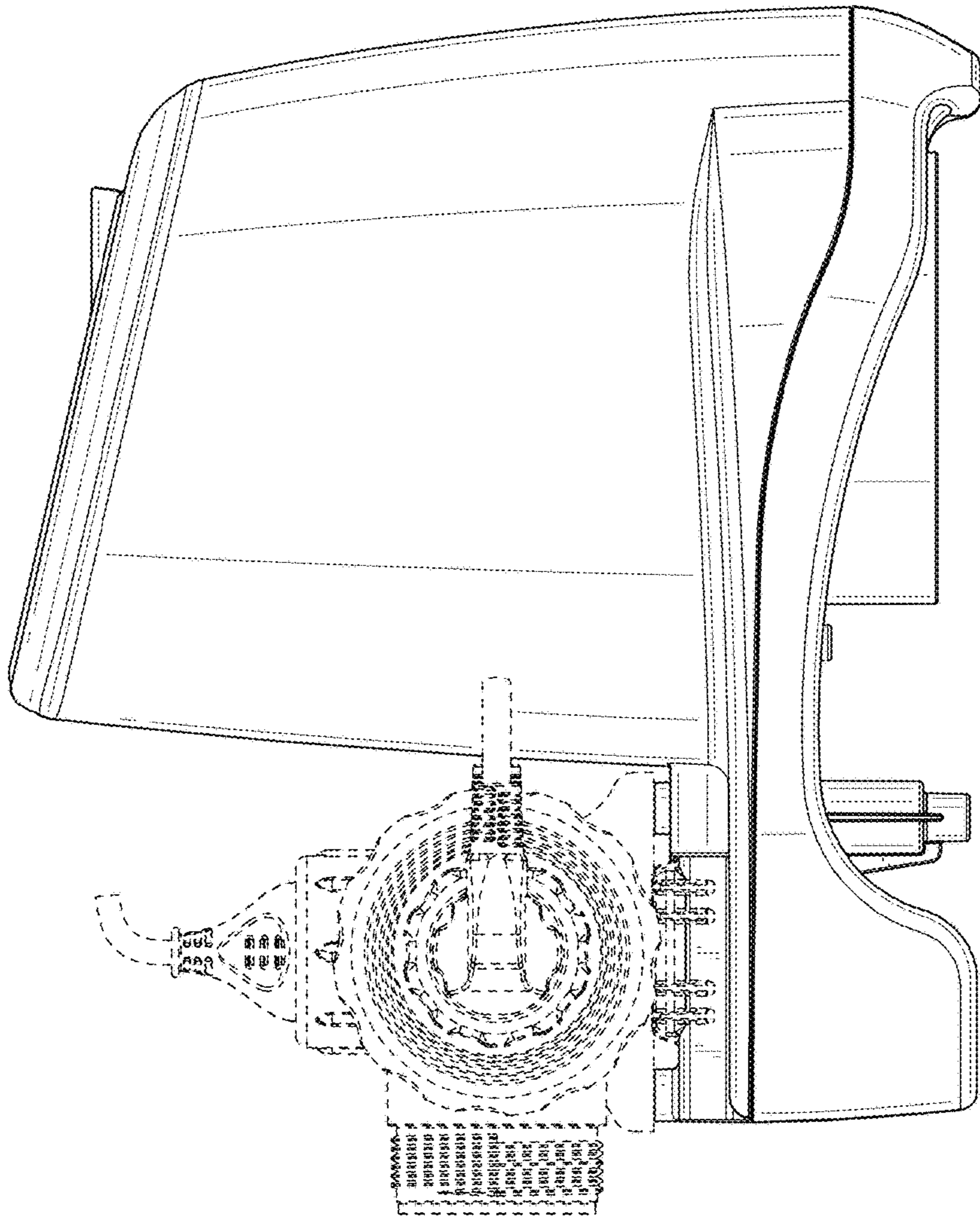


FIG. 5

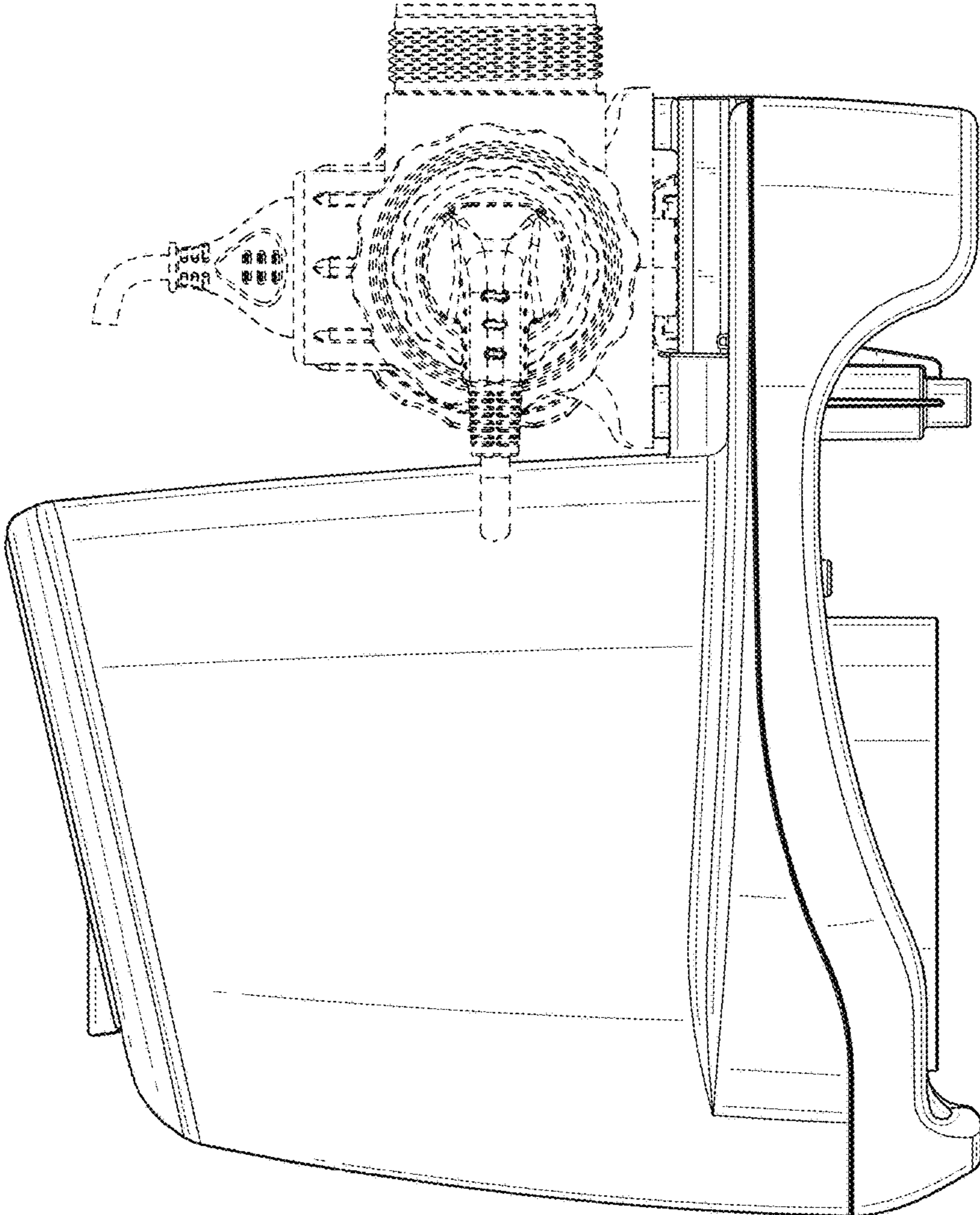


FIG. 6

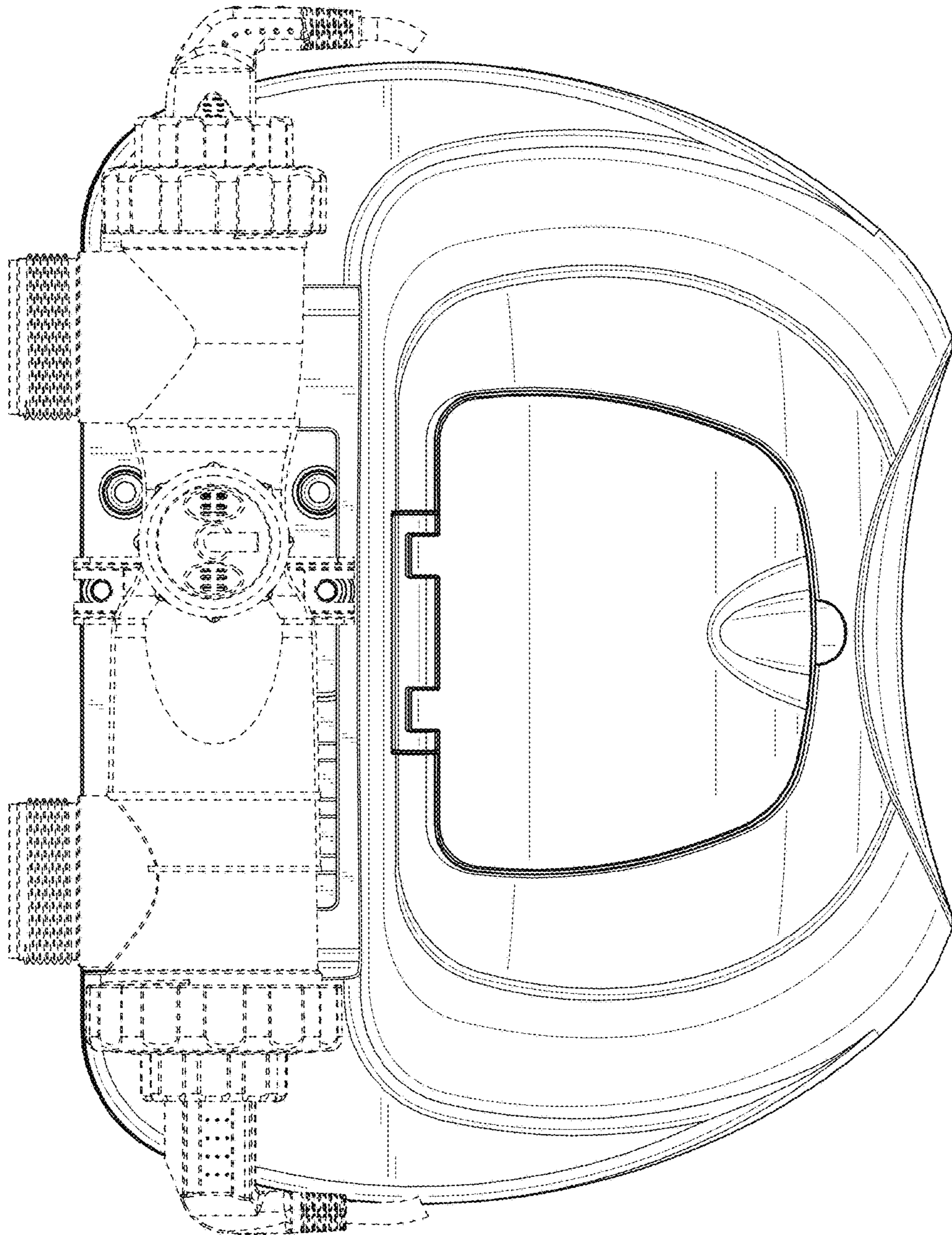


FIG. 7

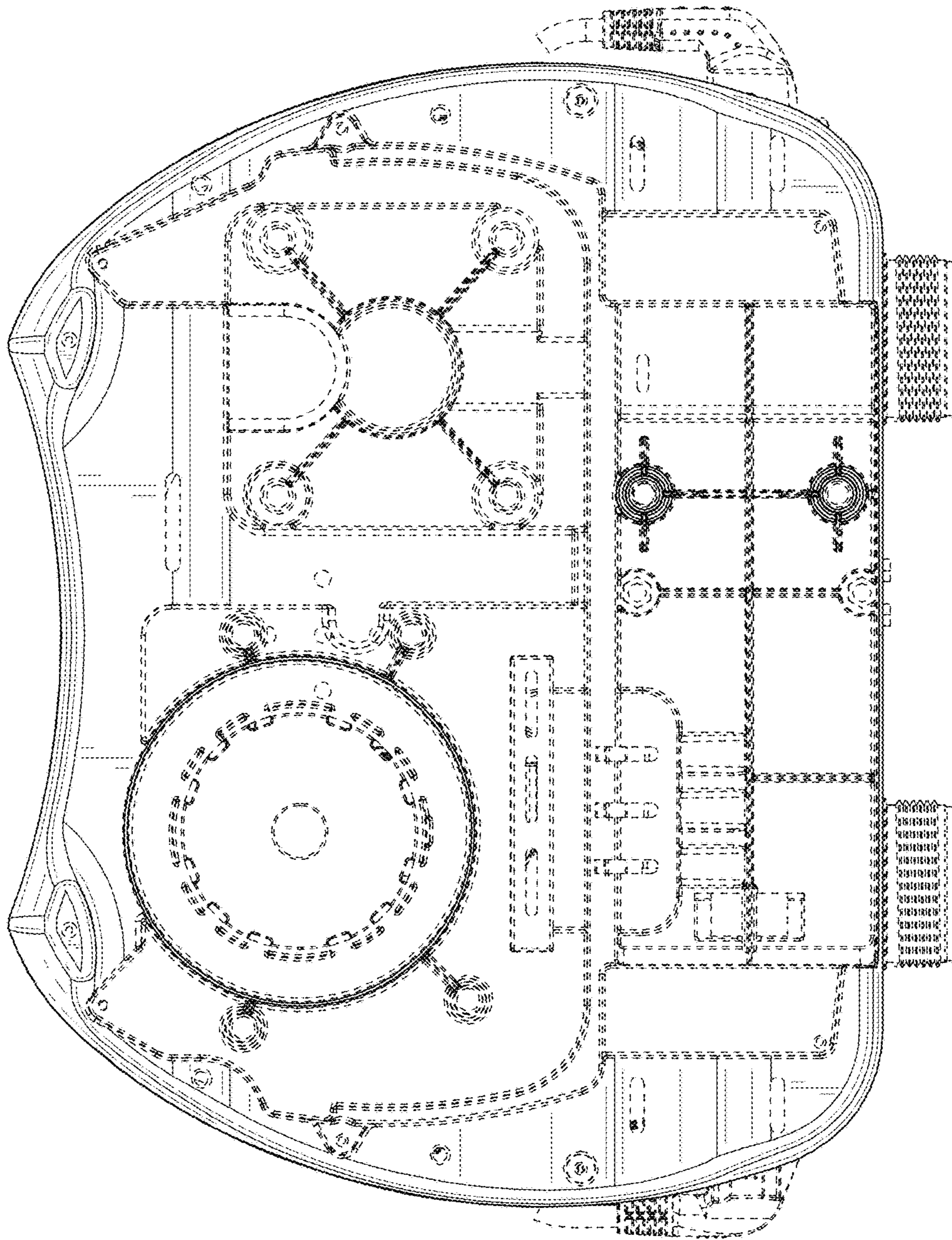


FIG. 8