



US00D836749S

(12) **United States Design Patent**  
**Mitchusson et al.**

(10) **Patent No.:** **US D836,749 S**

(45) **Date of Patent:** **\*\* \*Dec. 25, 2018**

(54) **DECOY SUPPORT DEVICE AND SYSTEM**

D675,700 S \* 2/2013 Saringer ..... D22/125  
D675,701 S \* 2/2013 Saringer ..... D22/125  
9,192,155 B2 \* 11/2015 Saringer ..... A01M 31/06

(71) Applicants: **Gary James Mitchusson**, Forrest City, AR (US); **Richard Shane Bledsoe**, Forrest City, AR (US)

\* cited by examiner

(72) Inventors: **Gary James Mitchusson**, Forrest City, AR (US); **Richard Shane Bledsoe**, Forrest City, AR (US)

*Primary Examiner* — Catherine R Oliver-Garcia  
(74) *Attorney, Agent, or Firm* — Schrantz Law Firm, PLLC; Stephen D. Schrantz

(\*) Notice: This patent is subject to a terminal disclaimer.

(57) **CLAIM**

The ornamental design for a decoy support device and system, as shown and described.

(\*\*) Term: **15 Years**

**DESCRIPTION**

(21) Appl. No.: **29/591,566**

FIG. 1 is a top perspective view showing my new design; FIG. 2 is a left side view thereof; FIG. 3 is a right side view thereof; FIG. 4 is a rear view thereof; FIG. 5 is a front view thereof; FIG. 6 is a top view thereof; FIG. 7 is a bottom view thereof; FIG. 8 is a left side view thereof; FIG. 9 is a left side view thereof; FIG. 10 is a rear view thereof; FIG. 11 is a rear view thereof; FIG. 12 is a top perspective view thereof; FIG. 13 is a top perspective view thereof; and, FIG. 14 is a top perspective view thereof. Portions shown in broken line are for illustrative purposes only and form no part of the claimed design.

(22) Filed: **Jan. 20, 2017**

(51) **LOC (11) Cl.** ..... **22-05**

(52) **U.S. Cl.**  
USPC ..... **D22/125**

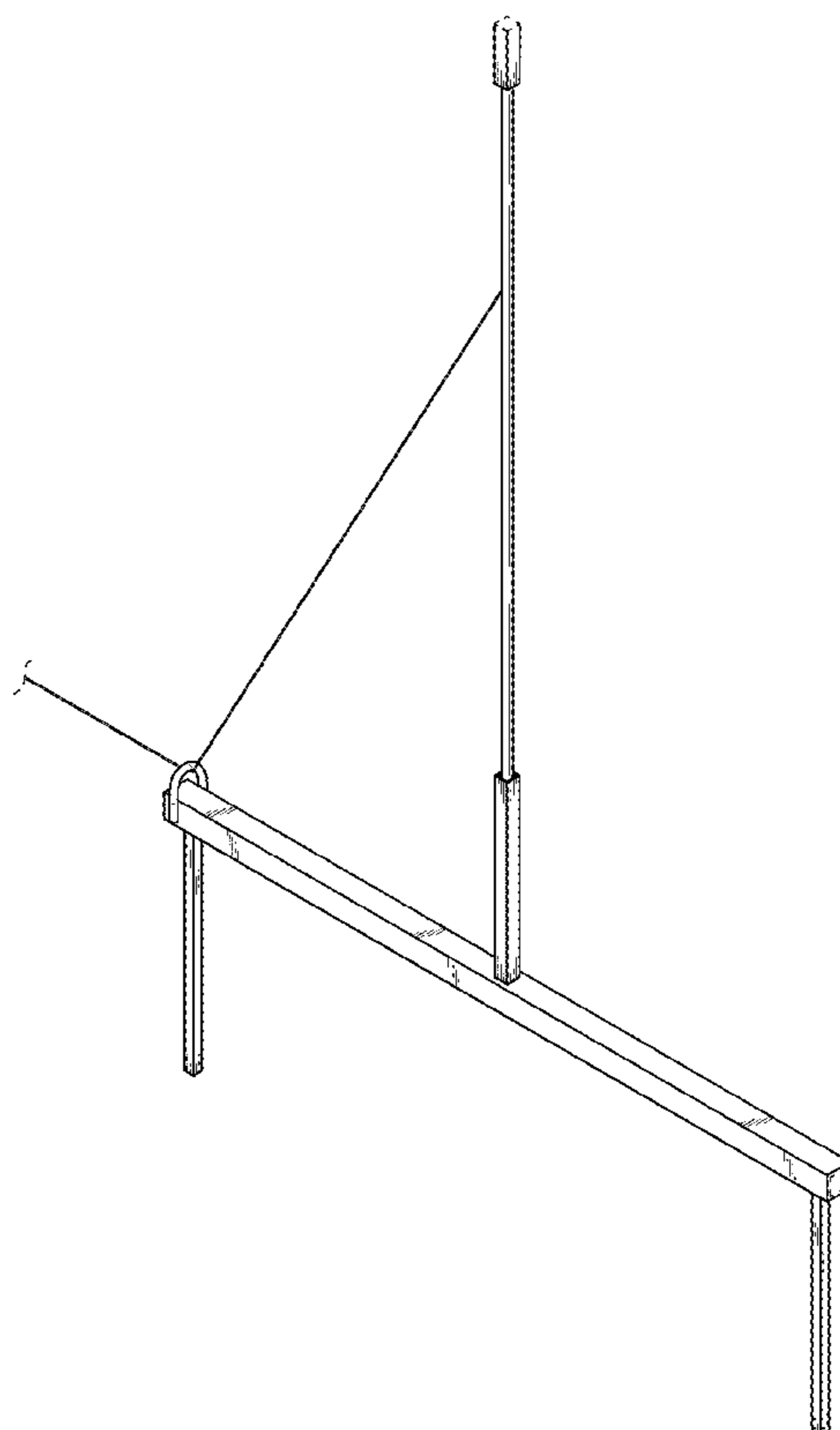
(58) **Field of Classification Search**  
USPC ..... D22/125; 43/1-3; 248/156, 175, 215, 248/530, 545; 47/42, 44, 47  
CPC ..... A01M 31/06  
See application file for complete search history.

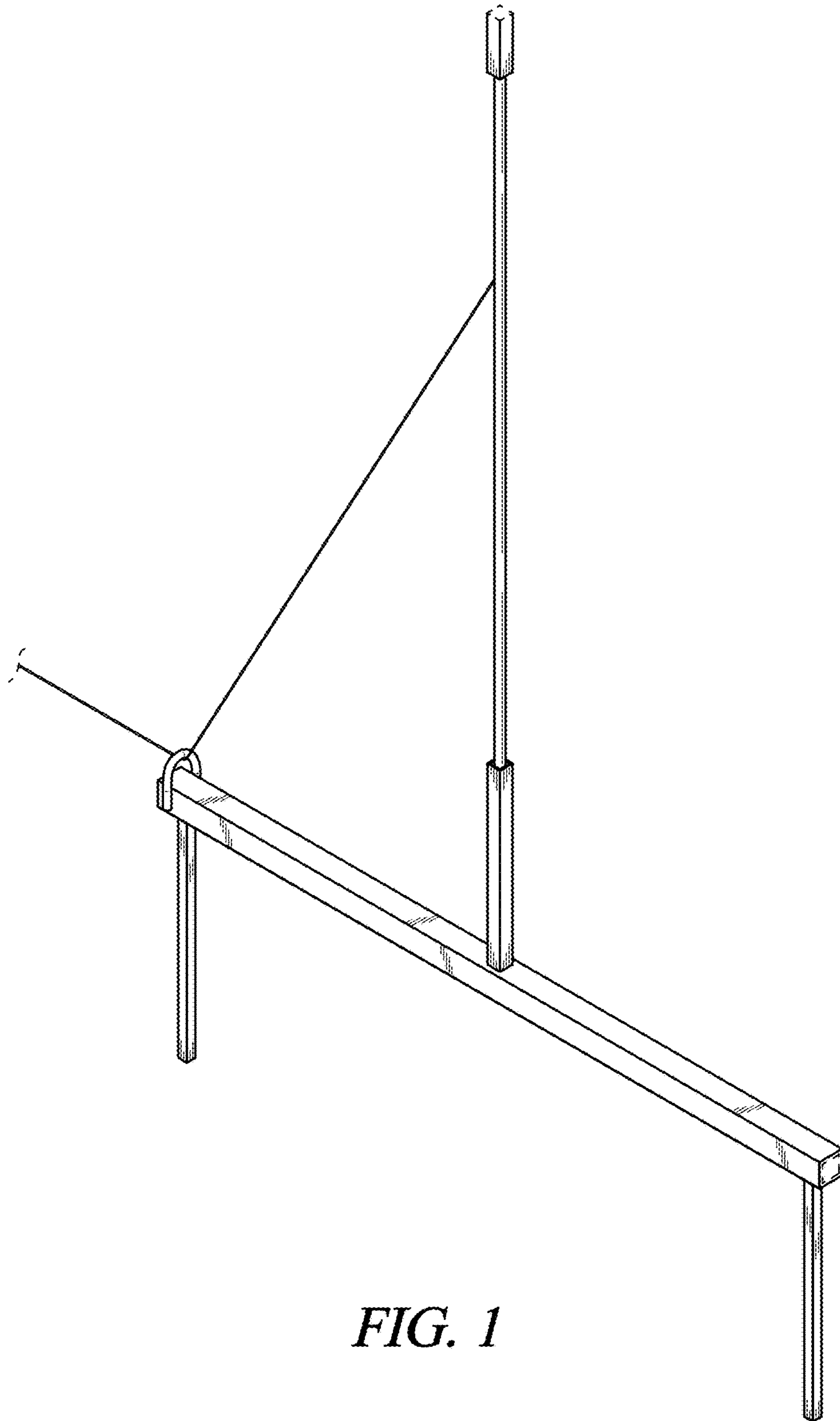
(56) **References Cited**

**U.S. PATENT DOCUMENTS**

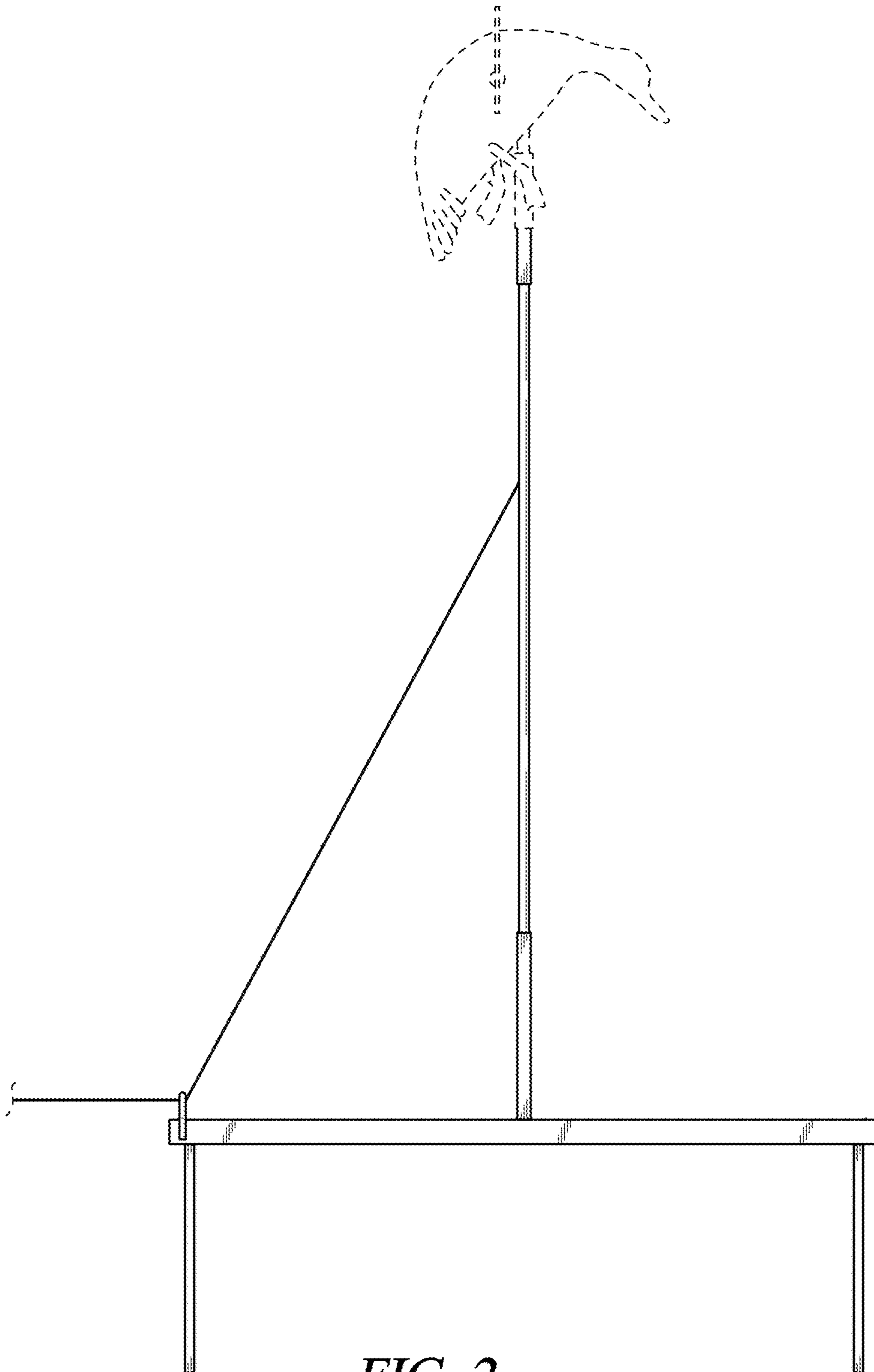
2,793,456 A \* 5/1957 Argo ..... A01M 31/06  
43/3  
D671,187 S \* 11/2012 Saringer ..... D22/125

**1 Claim, 11 Drawing Sheets**

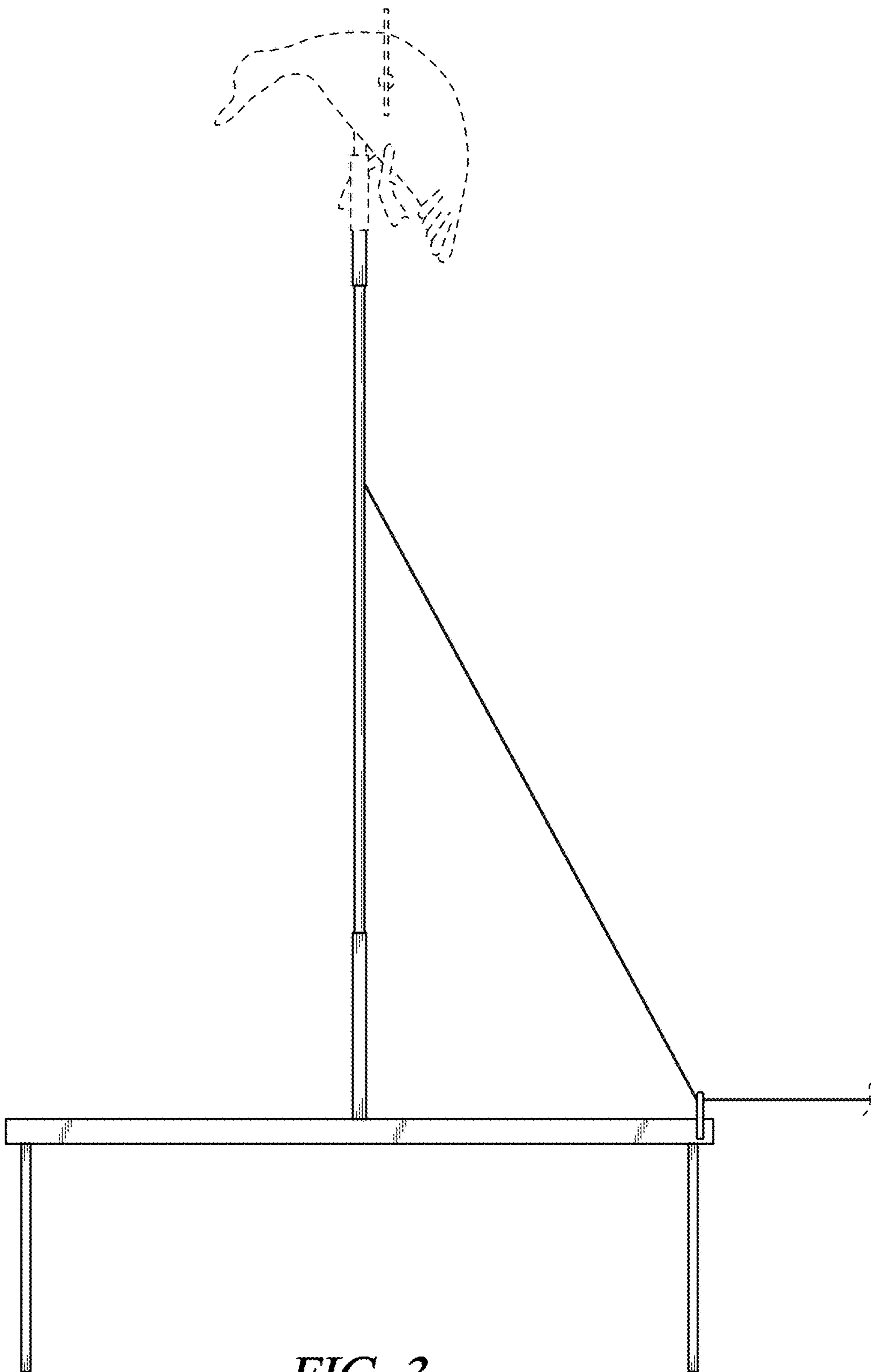




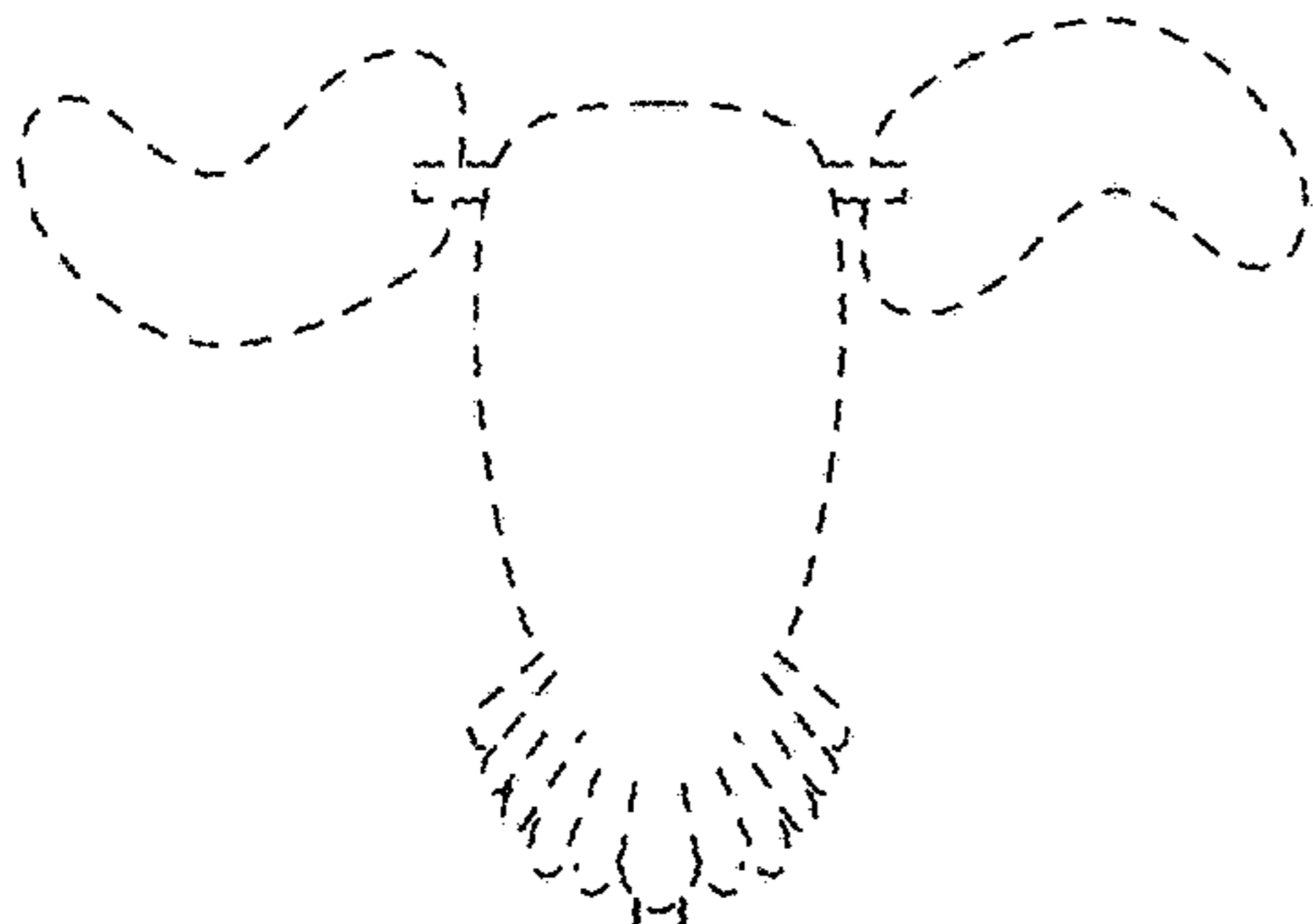
*FIG. 1*



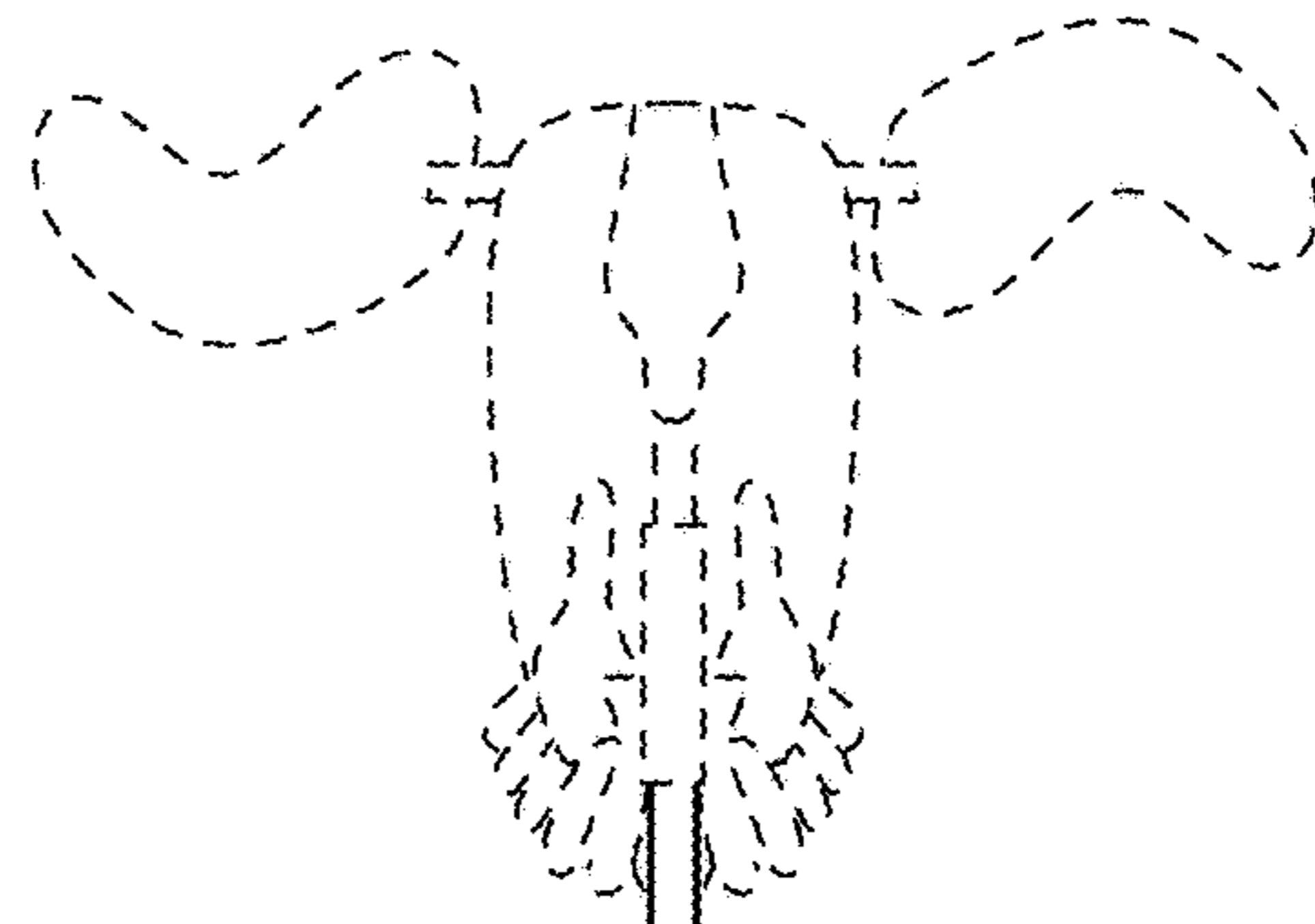
*FIG. 2*



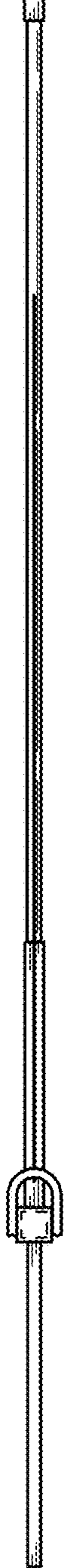
*FIG. 3*

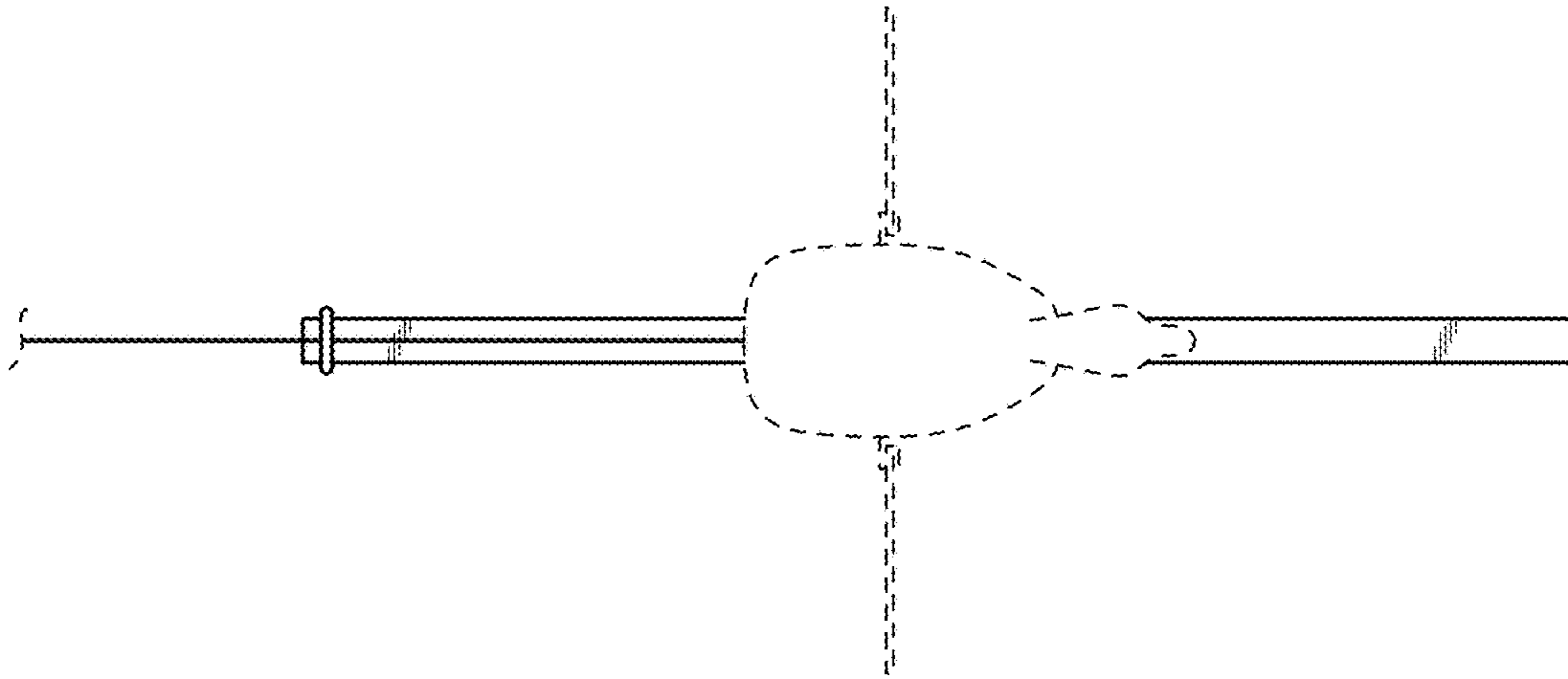


*FIG. 4*

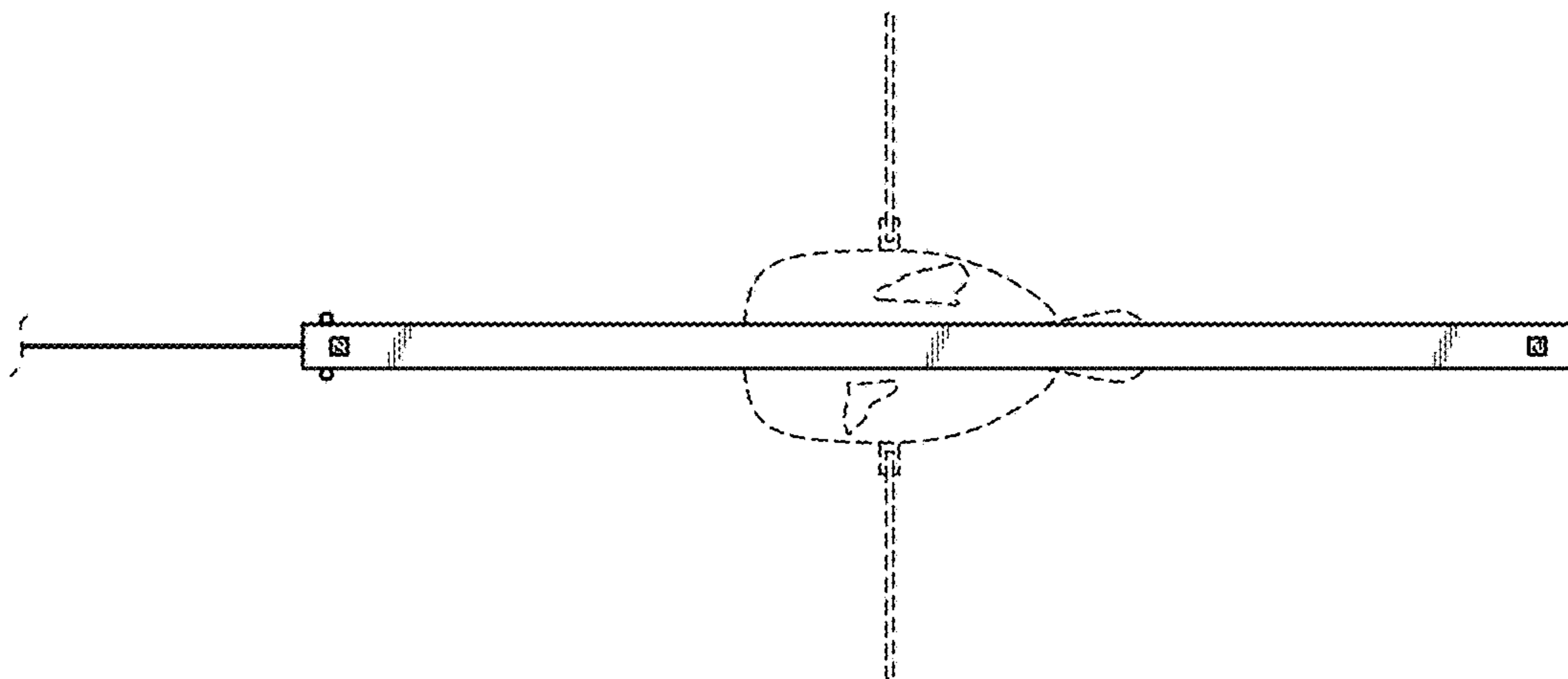


*FIG. 5*

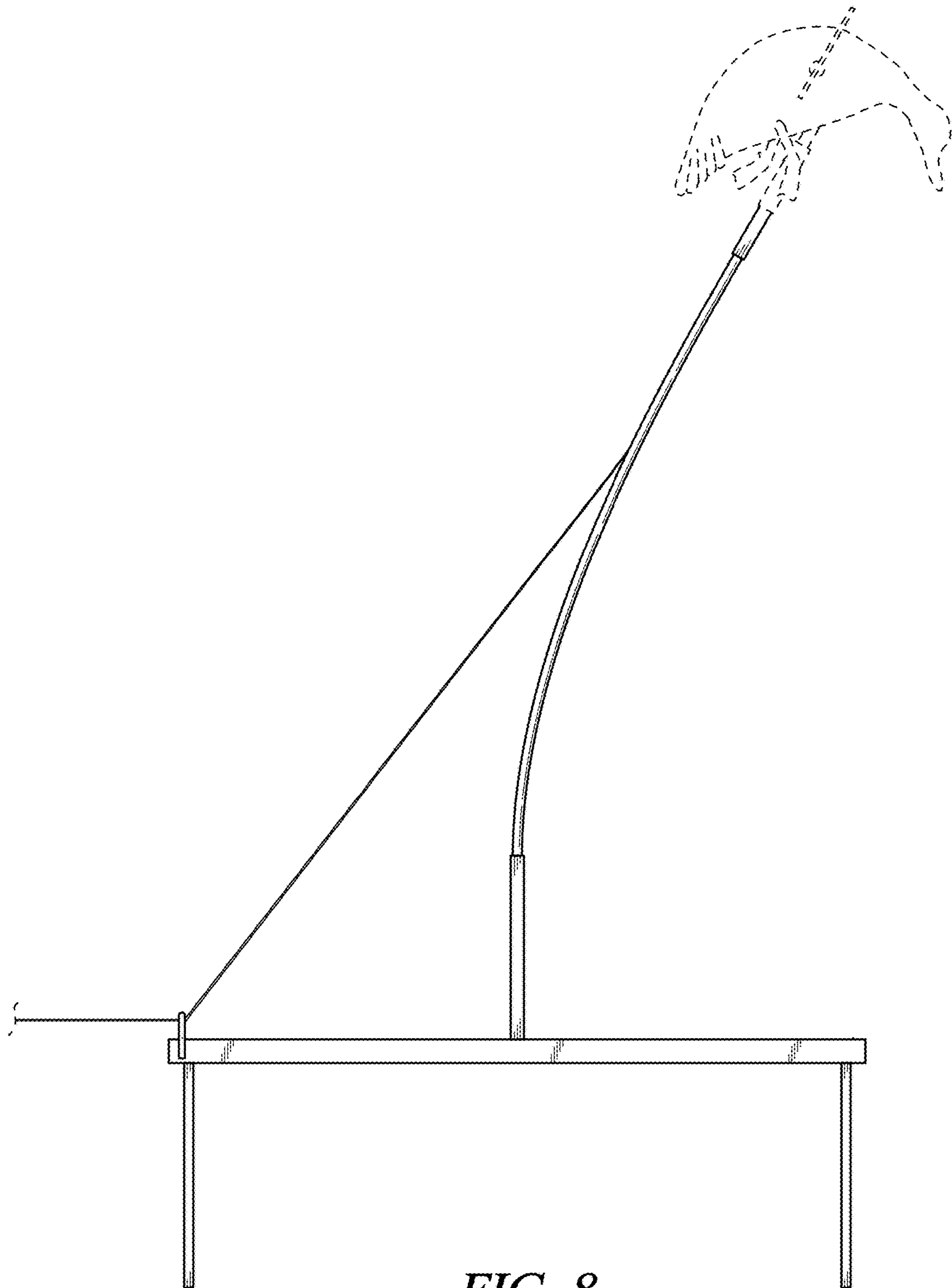




*FIG. 6*



*FIG. 7*



*FIG. 8*

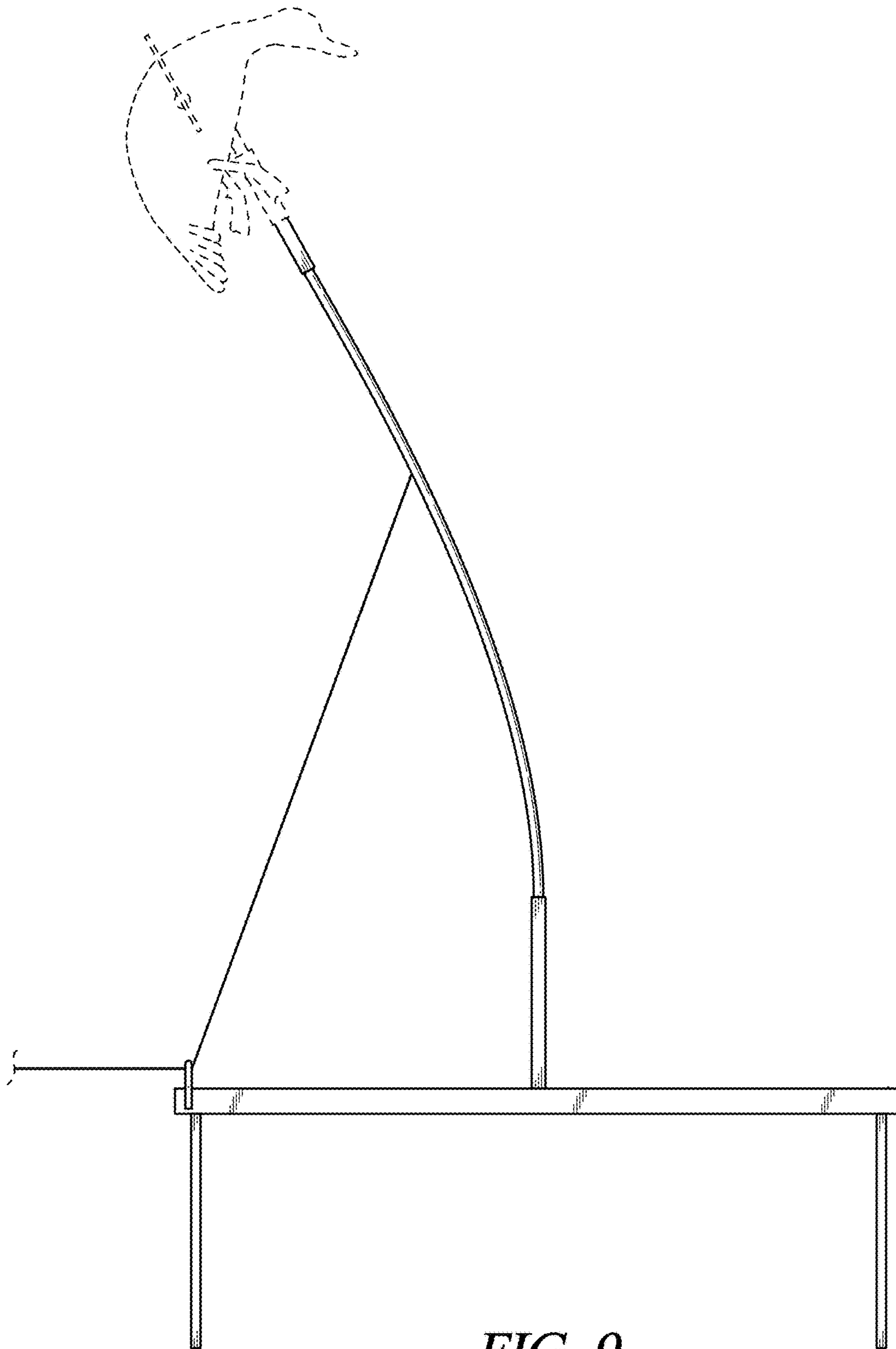
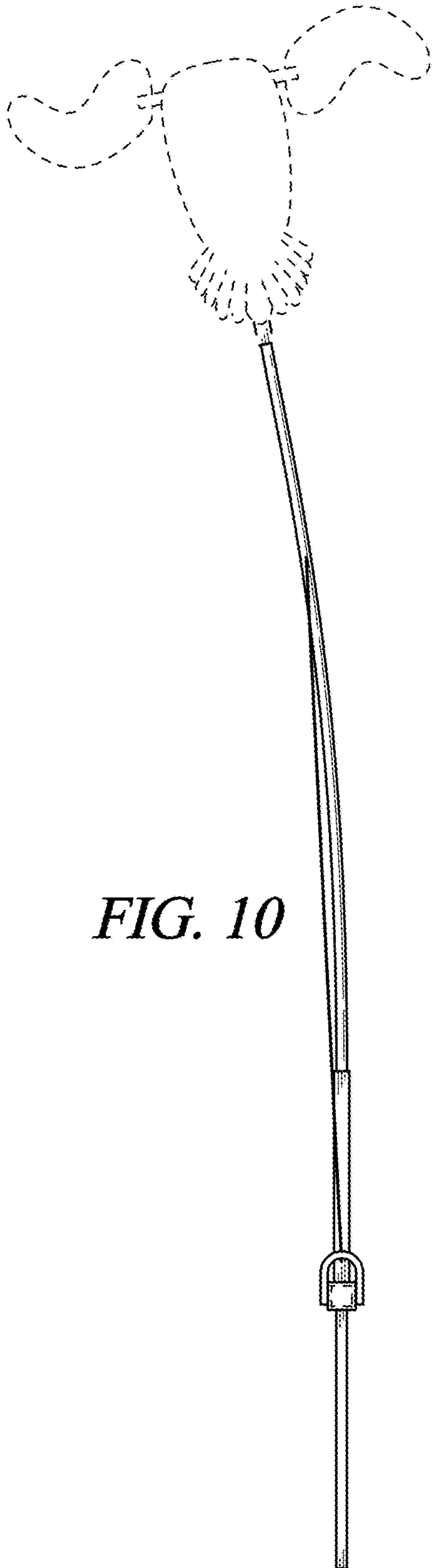


FIG. 9

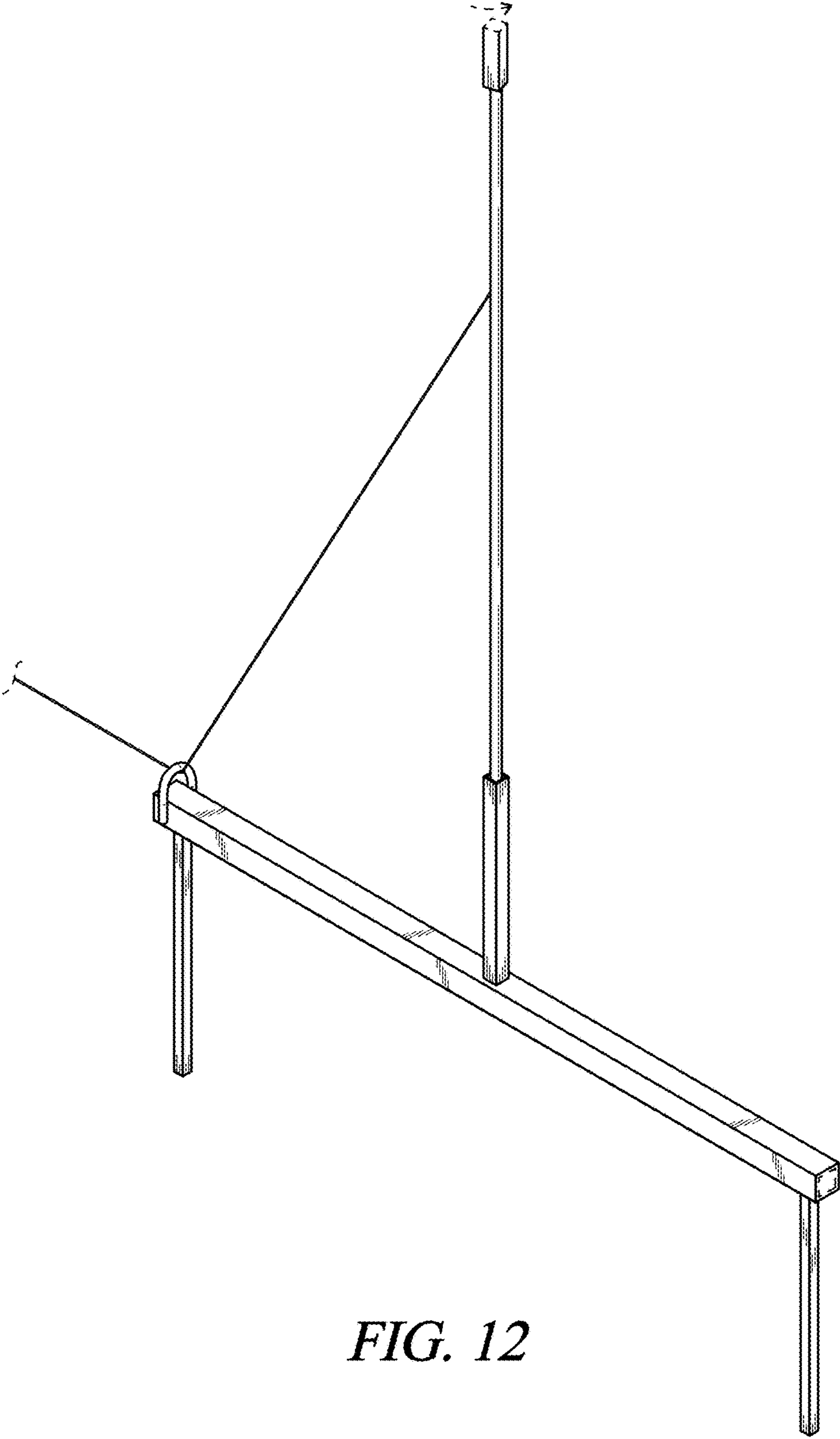




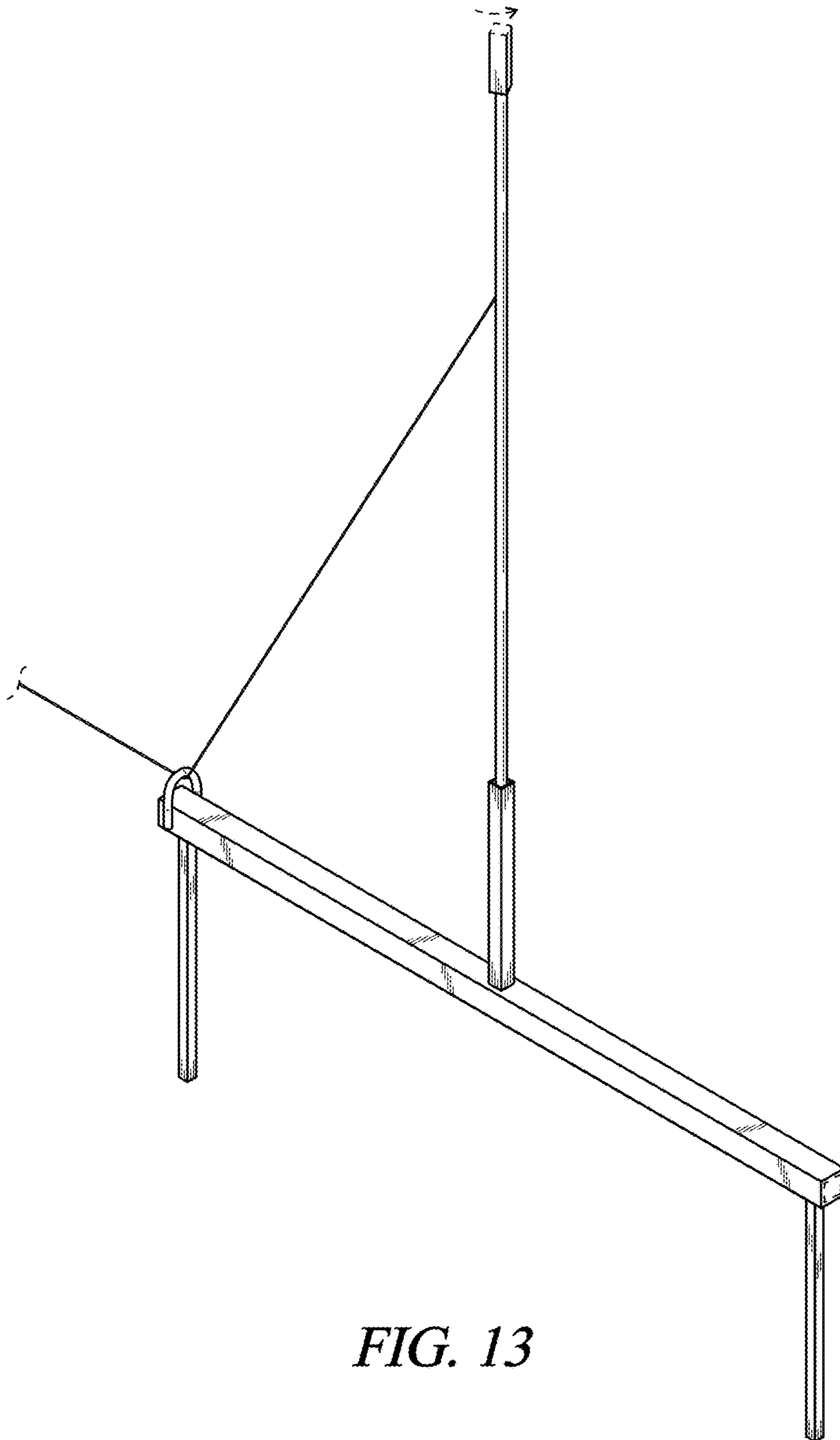
*FIG. 10*



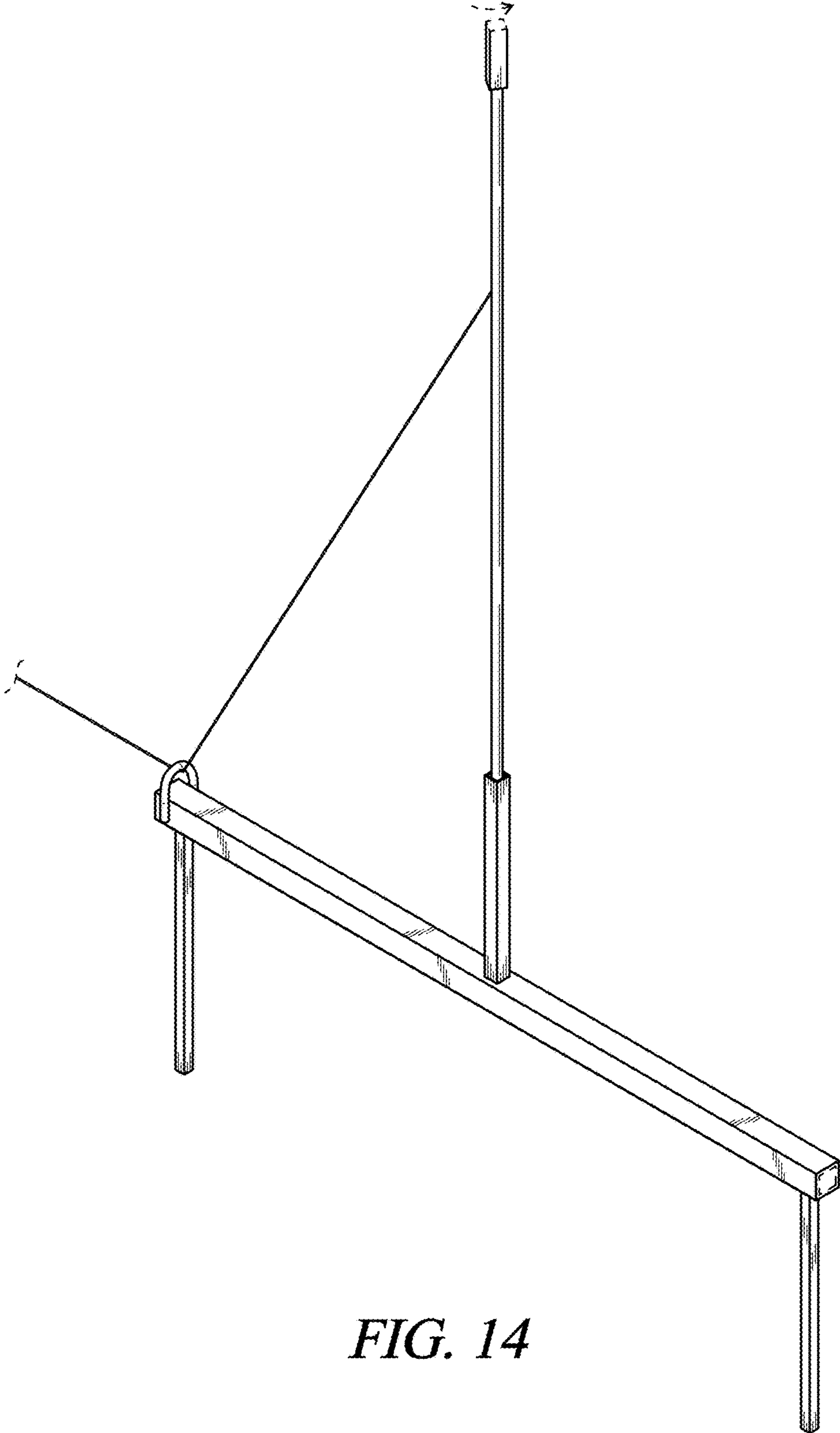
*FIG. 11*



*FIG. 12*



*FIG. 13*



*FIG. 14*