



US00D836748S

(12) **United States Design Patent** (10) **Patent No.:** **US D836,748 S**
Gu (45) **Date of Patent:** **** Dec. 25, 2018**

(54) **ELECTRONIC PEST REPELLER**

D638,507 S * 5/2011 Feuerstein D22/120
D779,026 S * 2/2017 Hou D22/120
D779,626 S * 2/2017 Hou D22/120

(71) Applicant: **Tijun Gu**, Shenzhen (CN)

* cited by examiner

(72) Inventor: **Tijun Gu**, Shenzhen (CN)

Primary Examiner — Catherine R Oliver-Garcia
(74) *Attorney, Agent, or Firm* — Novoclaims Patent Services LLC; Mei Lin Wong

(**) Term: **15 Years**

(21) Appl. No.: **29/628,861**

(22) Filed: **Dec. 8, 2017**

(57) **CLAIM**

(51) **LOC (11) Cl.** **22-06**

The ornamental design for an electronic pest repeller, as shown and described.

(52) **U.S. Cl.**

USPC **D22/120**

(58) **Field of Classification Search**

DESCRIPTION

USPC D22/119–124; D23/366–369; 43/65–66,
43/112–114, 120–121, 131, 132.1
CPC A01M 1/04; A01M 1/223; A01M 25/002;
A01M 2200/012; E04B 1/17; F16M
13/02

FIG. 1 is a perspective view of an electronic pest repeller, showing my new design.
FIG. 2 is a rear perspective view thereof.
FIG. 3 is a front view thereof.
FIG. 4 is a rear view thereof.
FIG. 5 is a left side end view thereof.
FIG. 6 is a right side end view thereof.
FIG. 7 is a top view thereof; and,
FIG. 8 is a bottom view thereof.

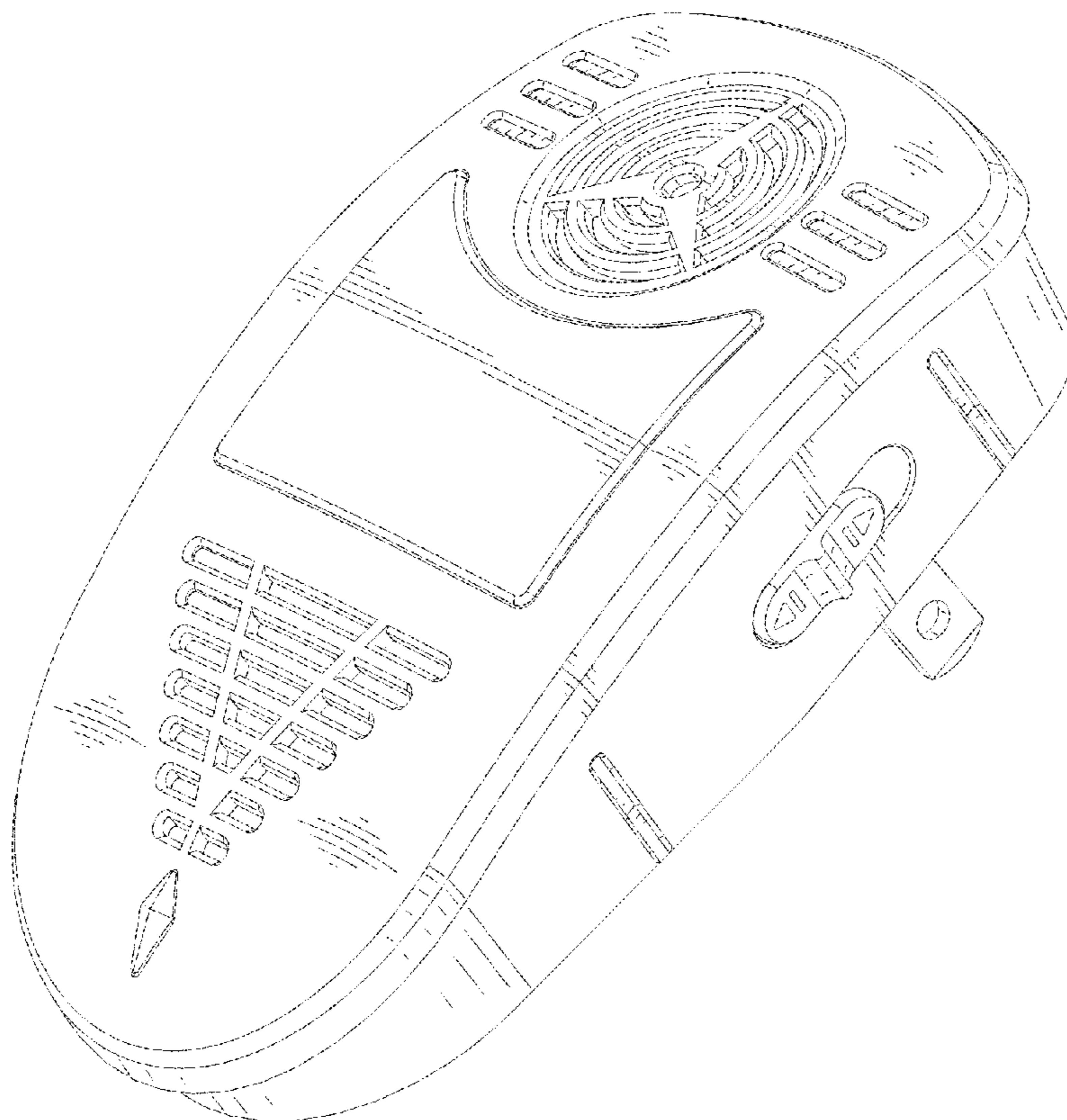
See application file for complete search history.

(56) **References Cited**

U.S. PATENT DOCUMENTS

1 Claim, 8 Drawing Sheets

D465,543 S * 11/2002 Bertani D22/123
D581,479 S * 11/2008 Caserta D22/123



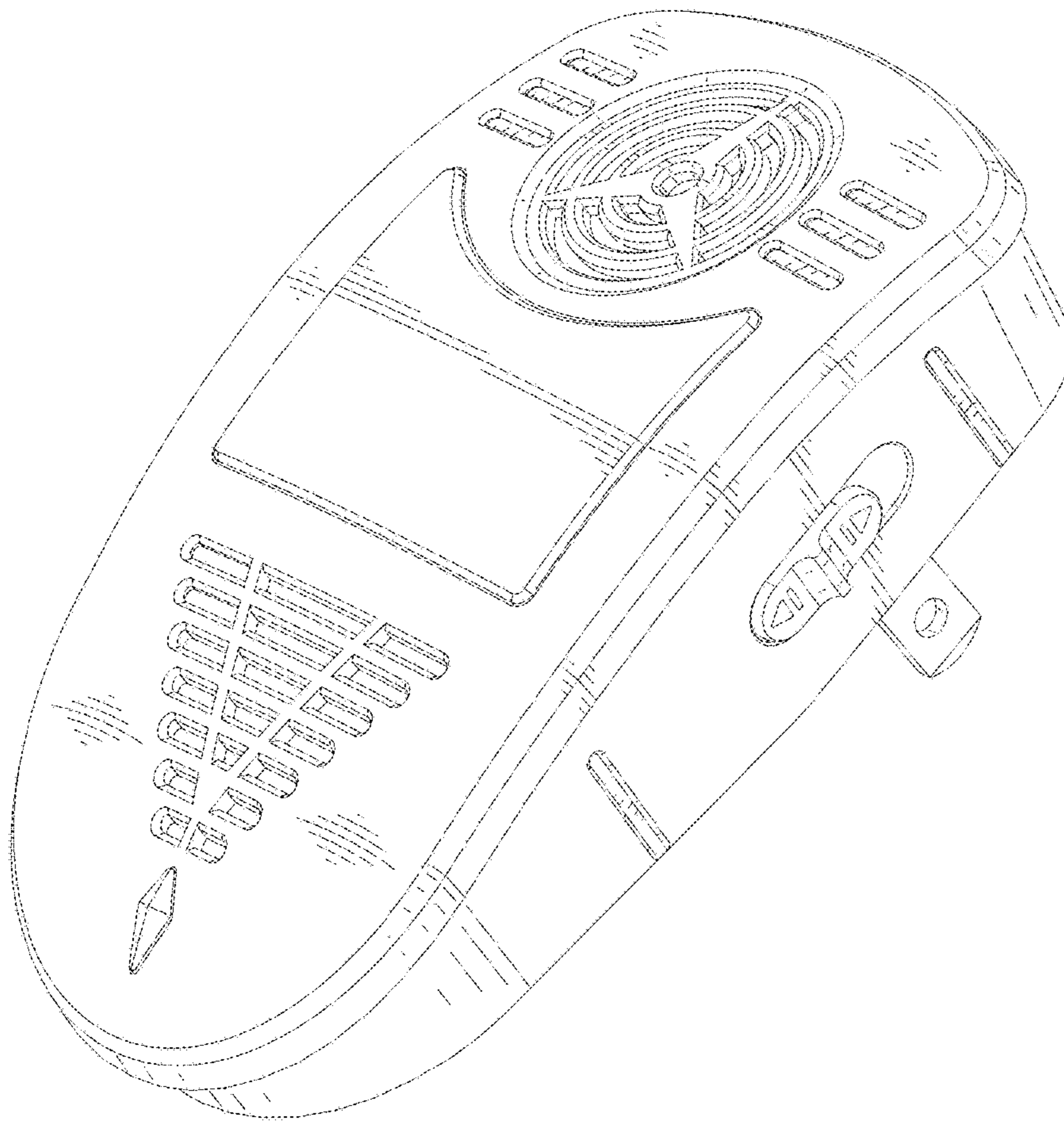


FIG.1

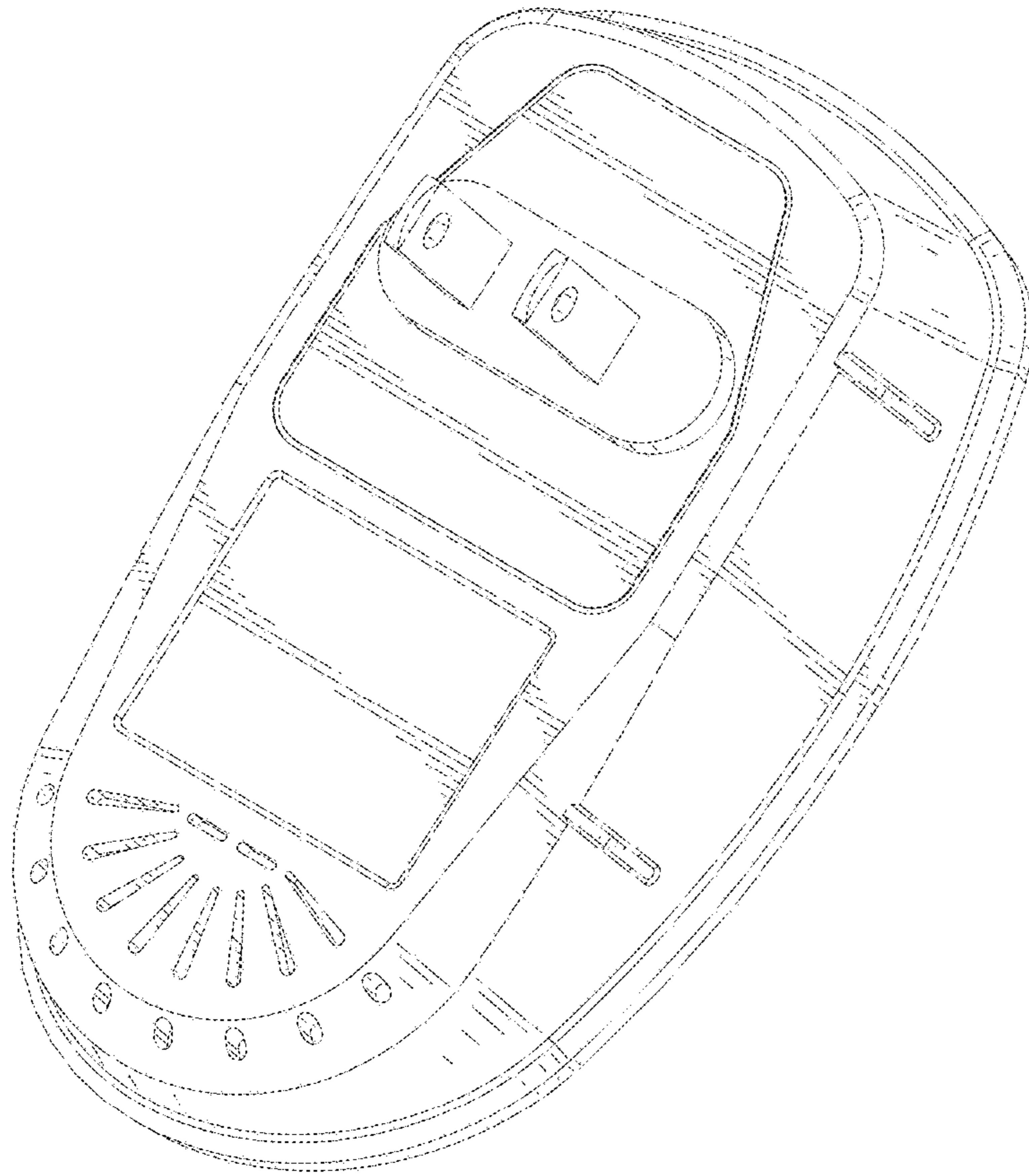


FIG.2

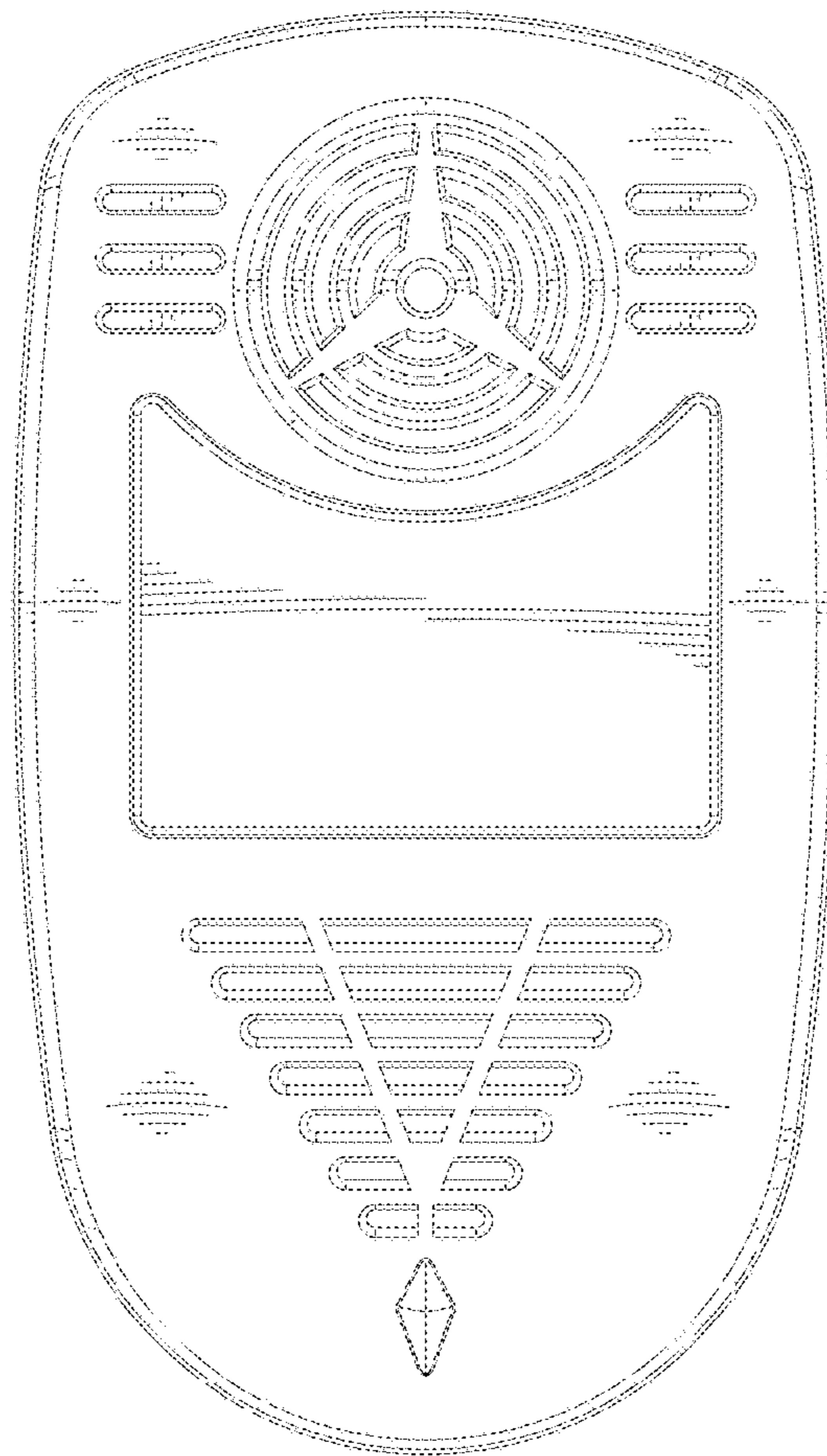


FIG.3

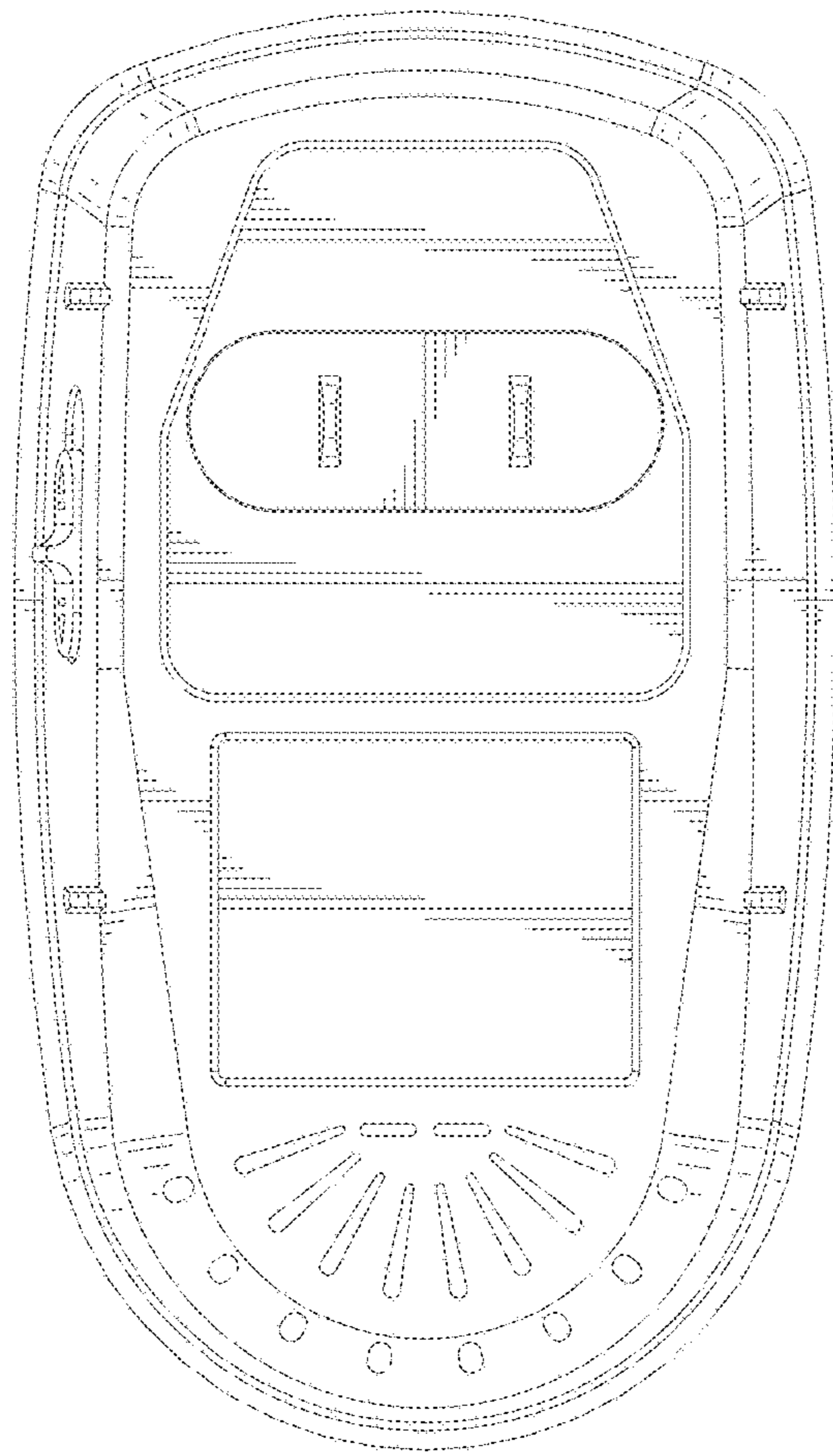


FIG.4

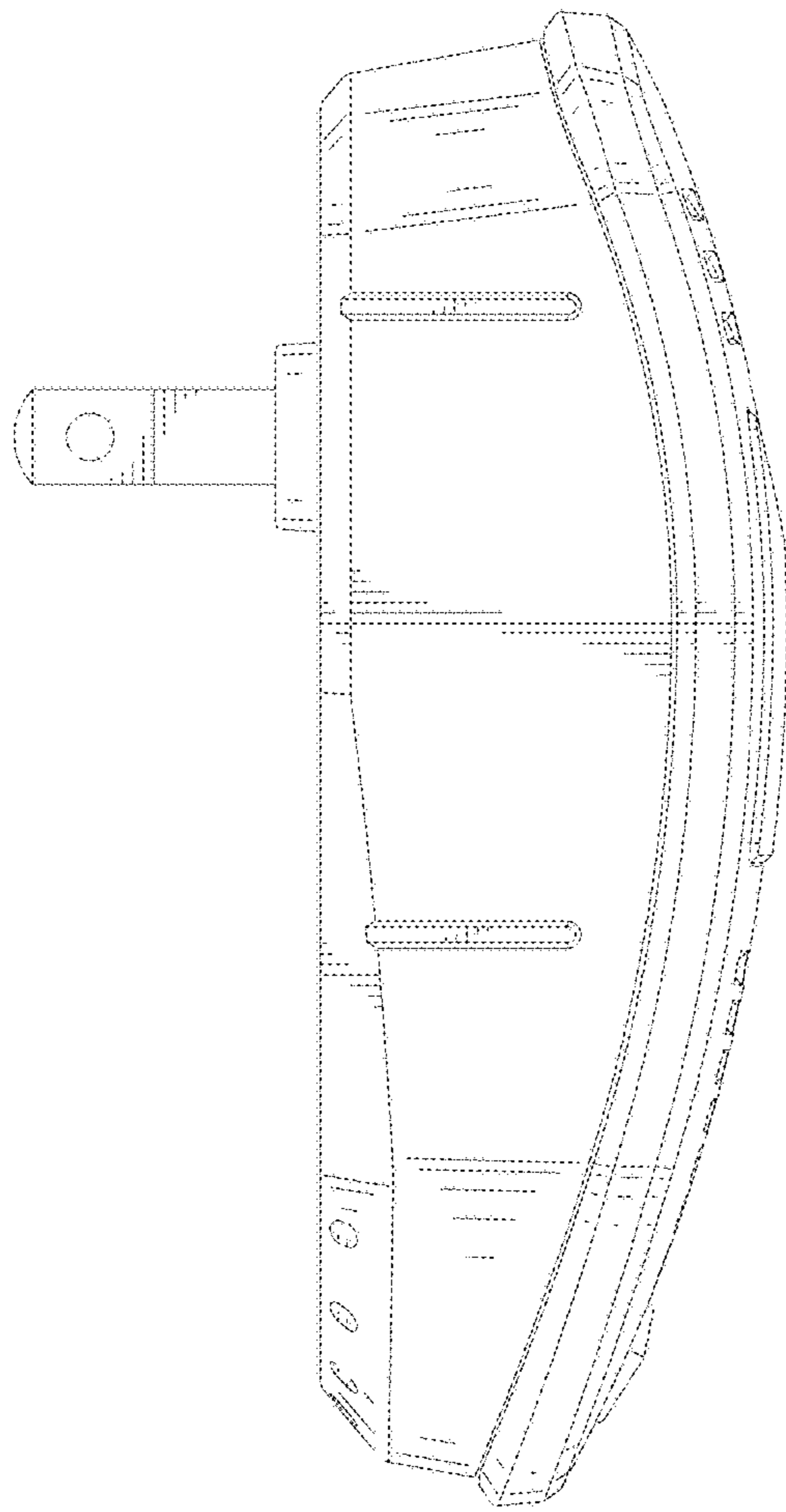


FIG.5

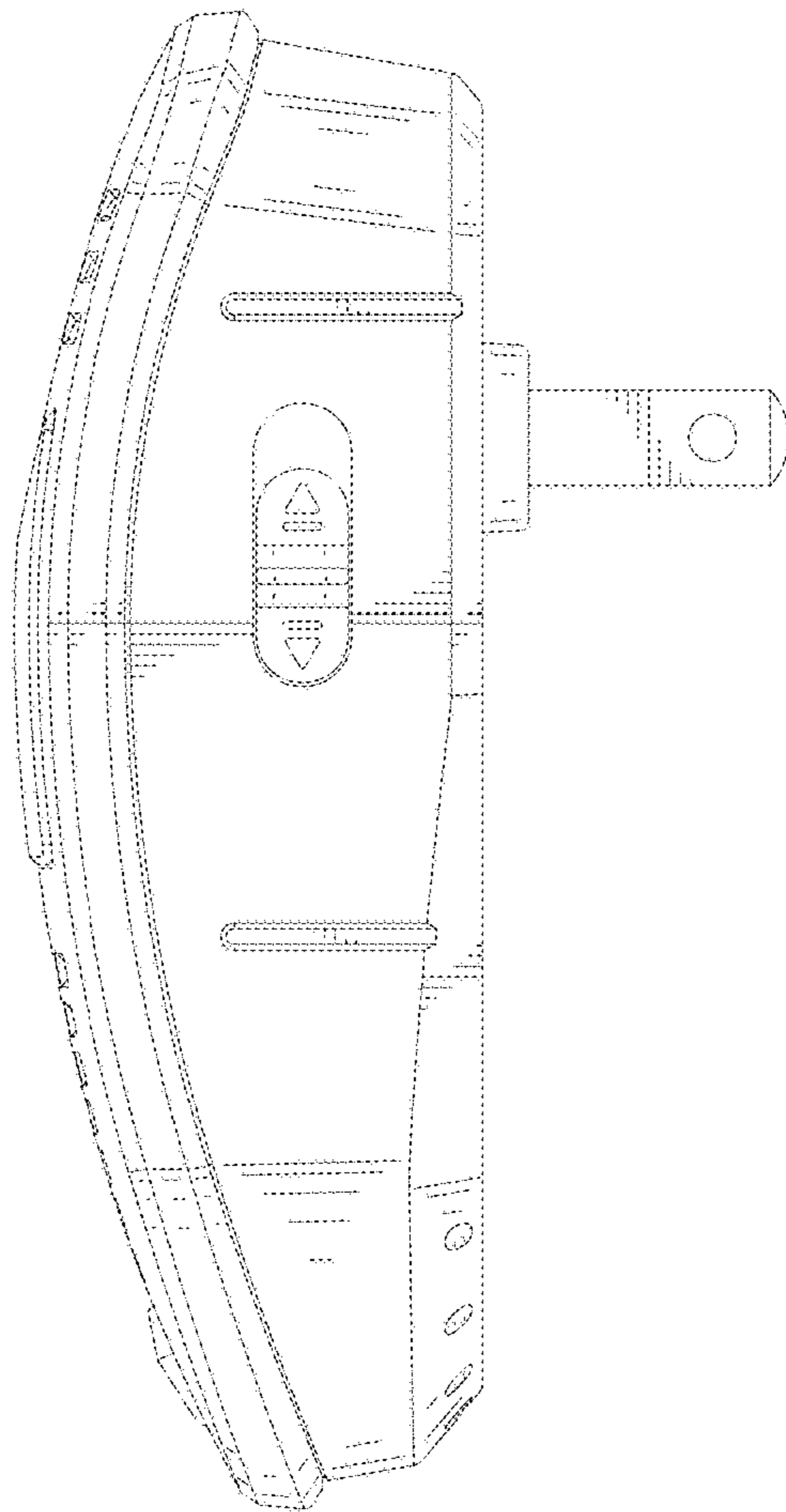


FIG.6

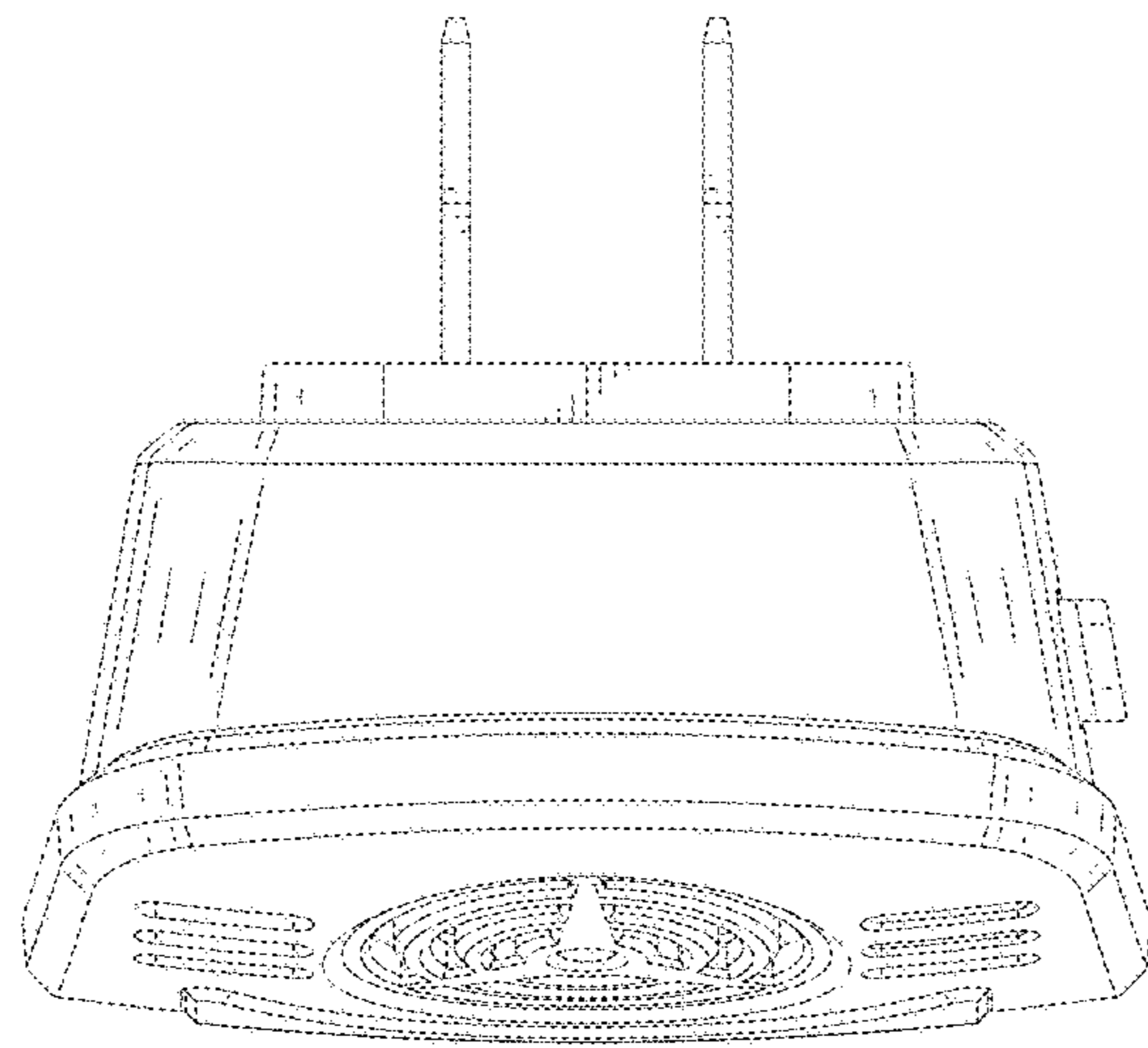


FIG.7

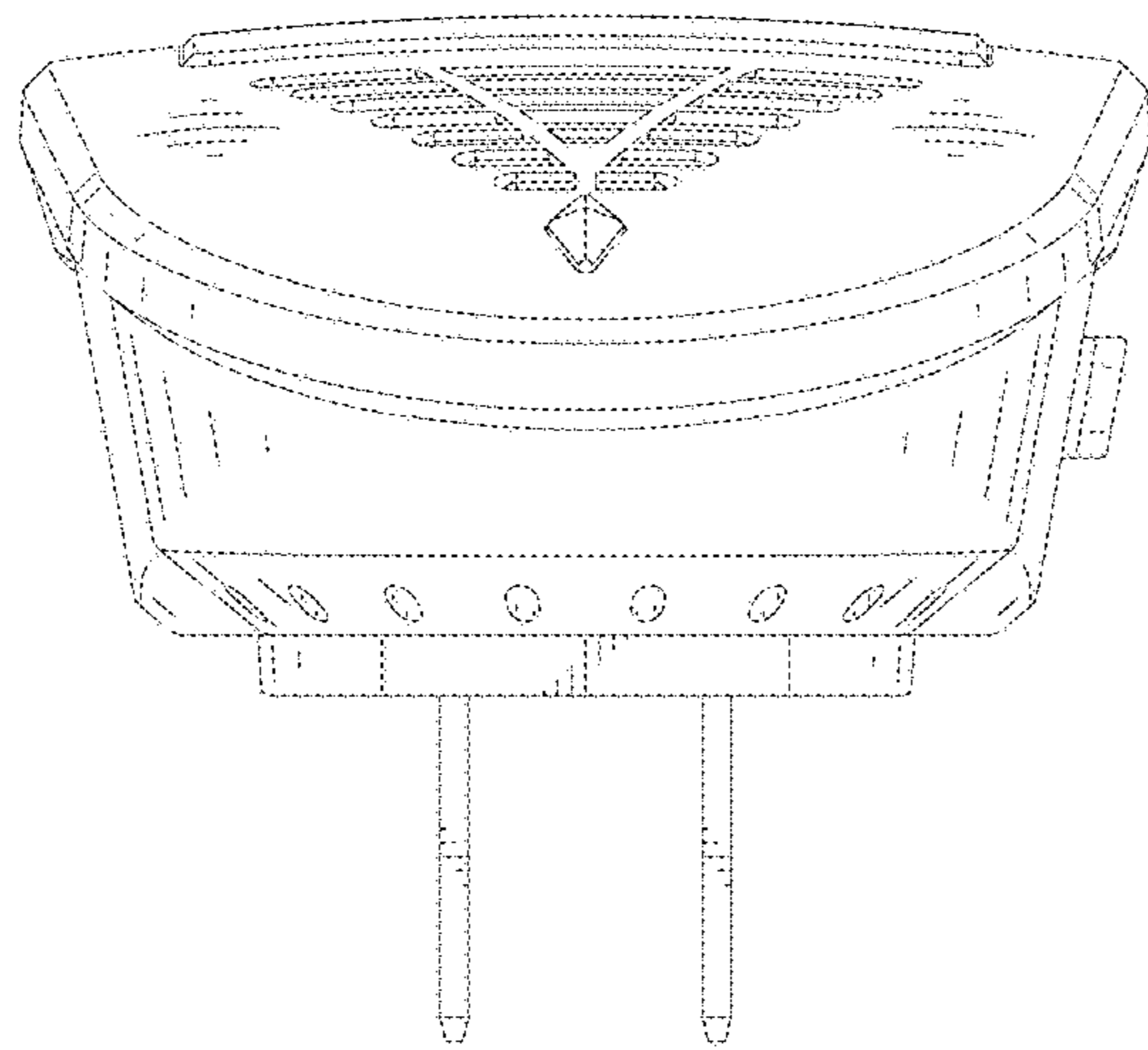


FIG.8