



US00D836747S

(12) **United States Design Patent** (10) **Patent No.:** **US D836,747 S**  
**Ambler et al.** (45) **Date of Patent:** **\*\* Dec. 25, 2018**

- (54) **RAT TRAP**
- (71) Applicant: **WOODSTREAM CORPORATION**,  
Lititz, PA (US)
- (72) Inventors: **Matthew Ambler**, Glenside, PA (US);  
**Luke Benjamin Haney**, Lititz, PA (US)
- (73) Assignee: **WOODSTREAM CORPORATION**,  
Lititz, PA (US)
- (\*\*) Term: **15 Years**
- (21) Appl. No.: **29/608,405**
- (22) Filed: **Jun. 21, 2017**
- (51) **LOC (11) Cl.** ..... **22-06**
- (52) **U.S. Cl.**  
USPC ..... **D22/119**
- (58) **Field of Classification Search**  
USPC ..... D22/119-124; 43/58, 60-61, 65-66, 70,  
43/77, 81, 98, 136-137  
CPC .... A01M 25/02; A01M 25/004; A01M 23/00;  
A01M 23/08; A01M 23/18; A01M 23/20;  
A01M 23/22; A01M 23/005; A01M  
21/00; A01M 23/38; A01M 23/04  
See application file for complete search history.

D346,199 S \* 4/1994 Spragins ..... D22/119  
D425,960 S \* 5/2000 O'Hara ..... D22/119  
6,609,328 B2 \* 8/2003 Swift ..... A01M 23/04  
43/98

\* cited by examiner

*Primary Examiner* — Catherine R Oliver-Garcia  
(74) *Attorney, Agent, or Firm* — Jacobson Holman,  
PLLC.

(57) **CLAIM**

We claim the ornamental design for a rat trap, as shown and described.

**DESCRIPTION**

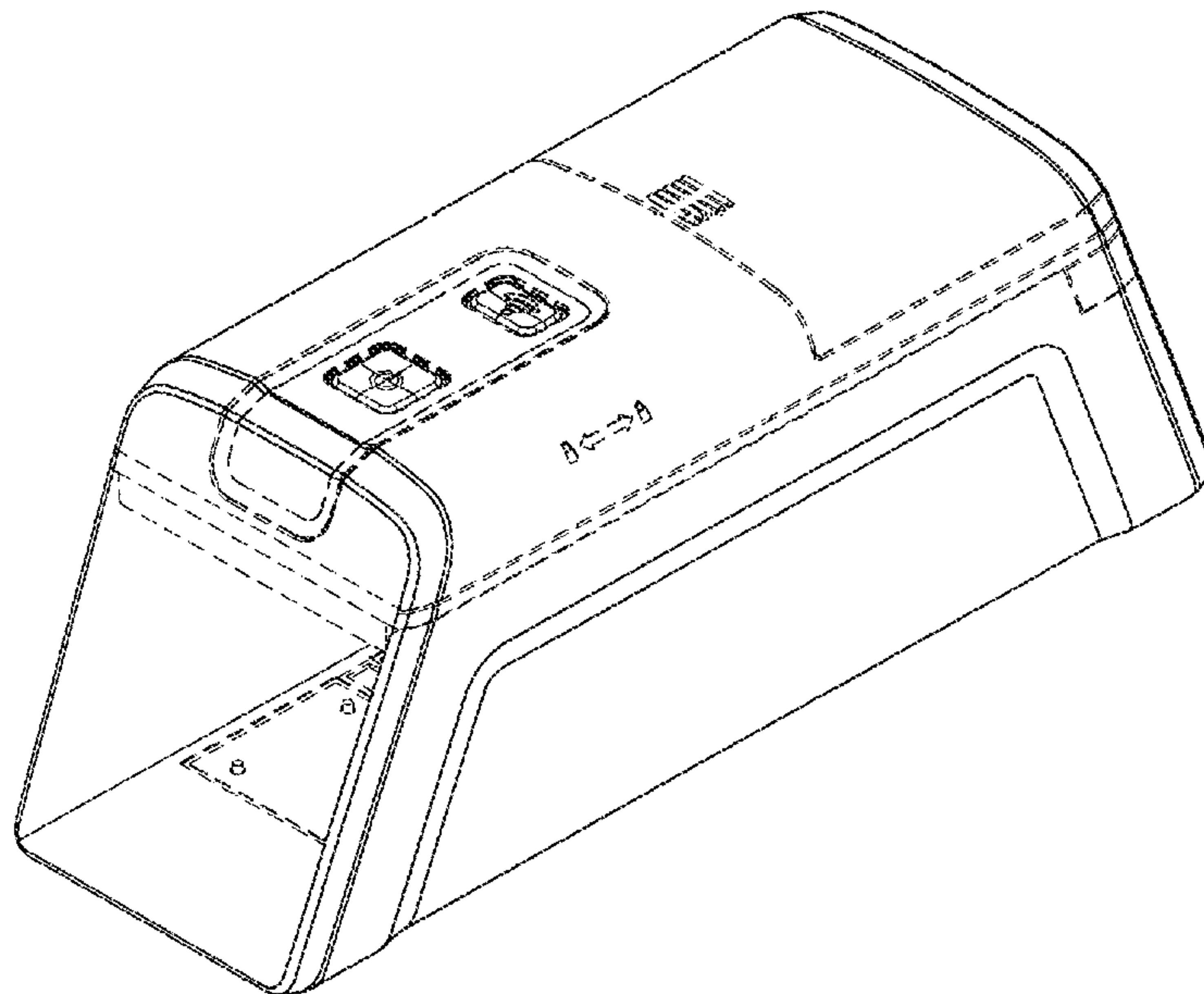
FIG. 1 is front perspective view of a rat trap according to the invention;  
FIG. 2 is a rear perspective view of FIG. 1;  
FIG. 3 is a top plan view of FIG. 1;  
FIG. 4 is a bottom view of FIG. 1;  
FIG. 5 is front elevational view of FIG. 1;  
FIG. 6 is rear elevational view of FIG. 1;  
FIG. 7 is a left side elevational view of FIG. 1 turned front to back;  
FIG. 8 is a right side elevational view of FIG. 1;  
FIG. 9 is a front perspective view of a second embodiment of a rat trap;  
FIG. 10 is a rear perspective view of FIG. 9;  
FIG. 11 is a top plan view of FIG. 9;  
FIG. 12 is a bottom view of FIG. 9;  
FIG. 13 is a front elevational view of FIG. 9;  
FIG. 14 is a rear elevational view of FIG. 9;  
FIG. 15 is a left side elevational view of FIG. 9 turned front to back; and,  
FIG. 16 is a right side elevational view of FIG. 9.  
The broken lines in the drawings illustrate portions of a rat trap that form no part of the claimed design.

**1 Claim, 10 Drawing Sheets**

(56) **References Cited**

U.S. PATENT DOCUMENTS

- 2,595,130 A \* 4/1952 Edwards ..... A01M 21/00  
43/77  
3,197,916 A \* 8/1965 Cole, Jr. .... A01M 23/38  
43/66  
D239,446 S \* 4/1976 Gilbert ..... D22/123  
D262,732 S \* 1/1982 Warren ..... D22/119  
D291,588 S \* 8/1987 Melton ..... D22/119  
4,780,985 A \* 11/1988 Coots ..... A01M 23/38  
43/98



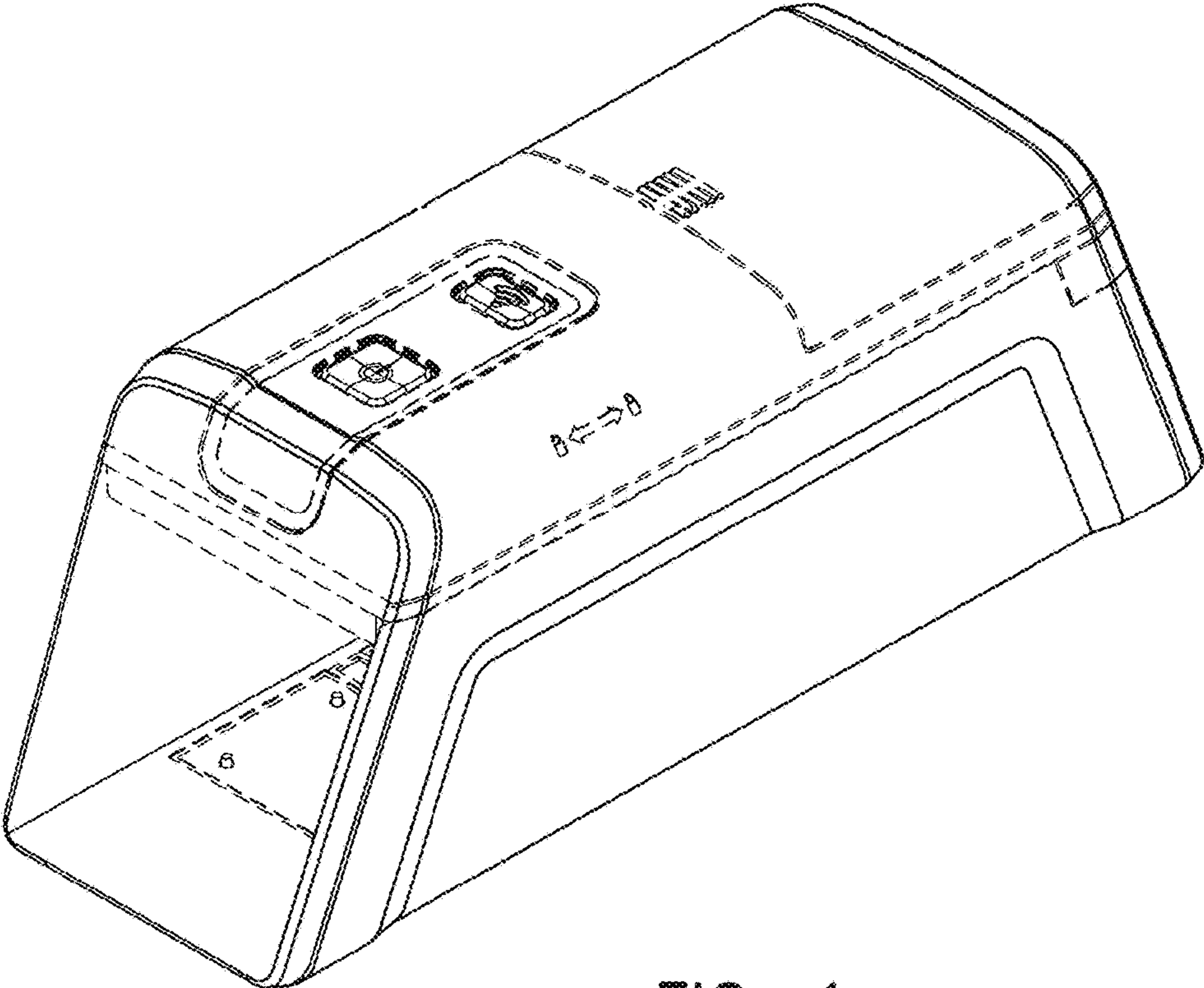


FIG. 1

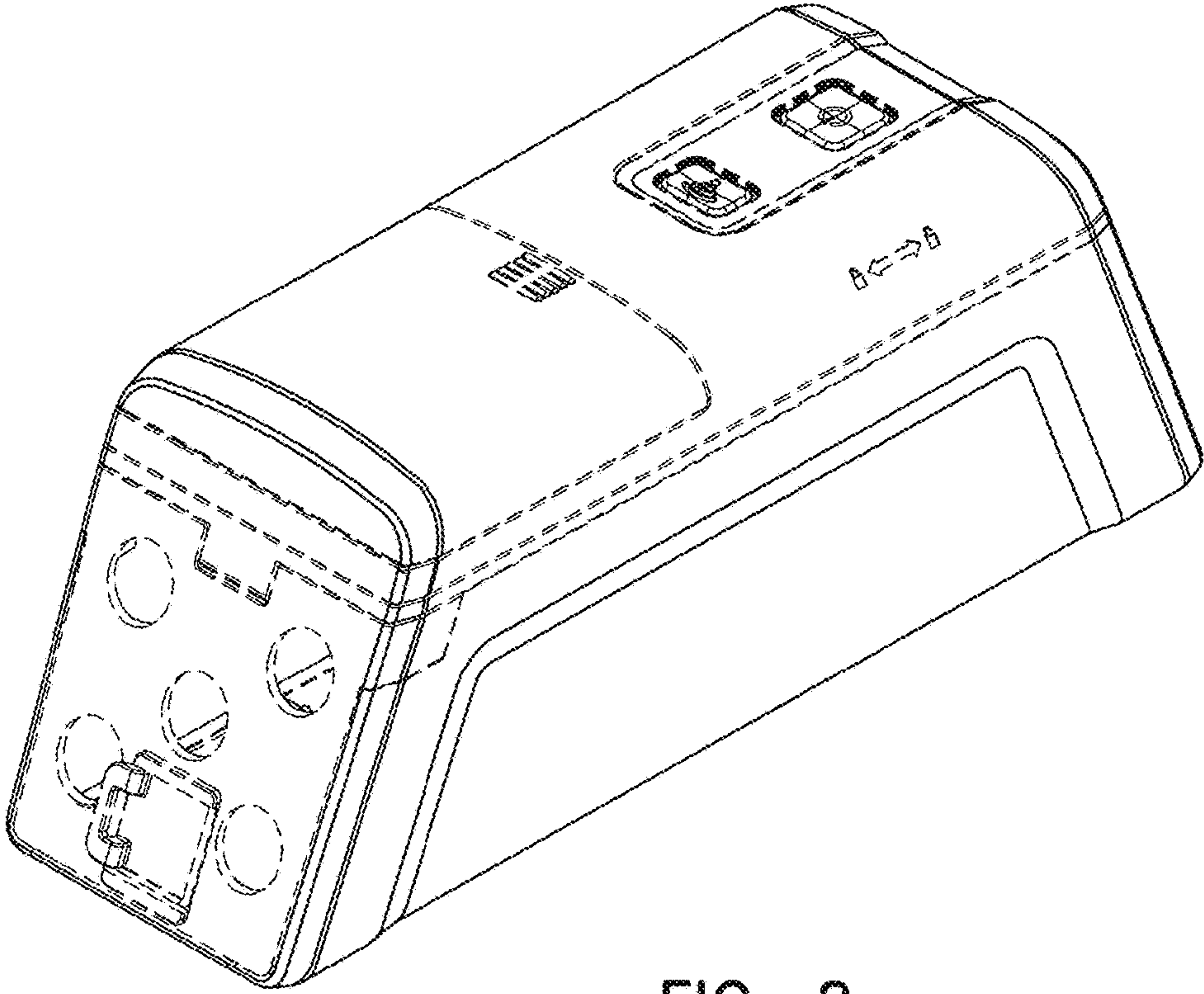


FIG. 2

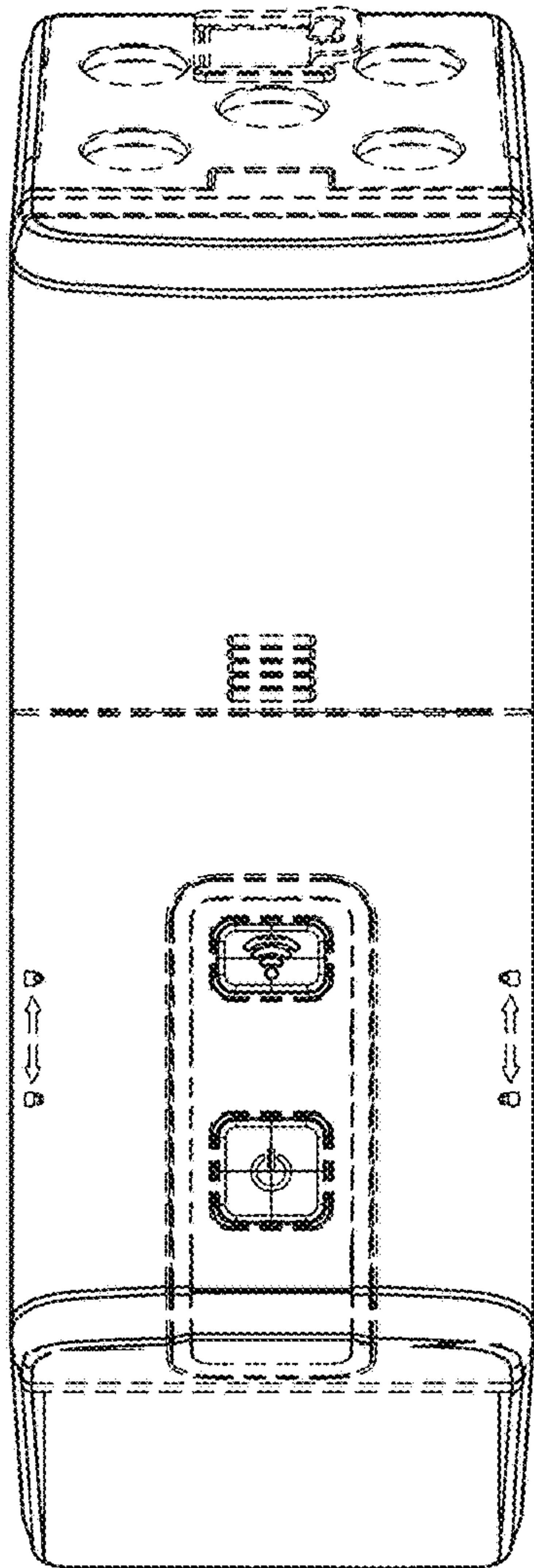


FIG. 3

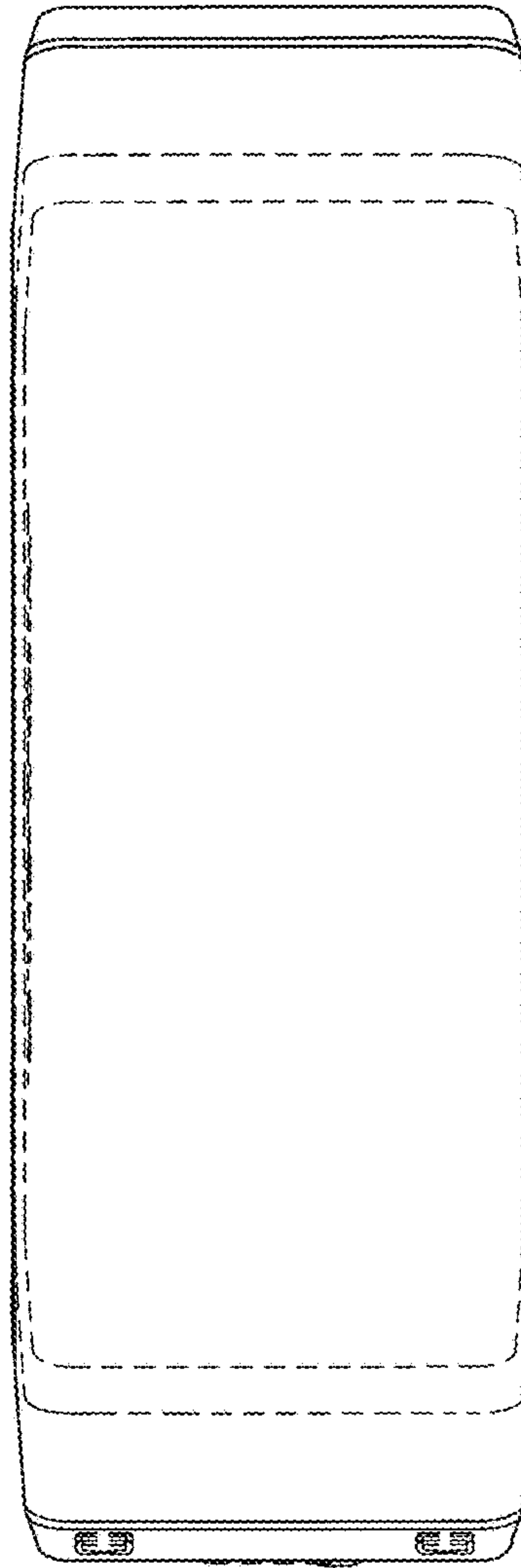


FIG. 4



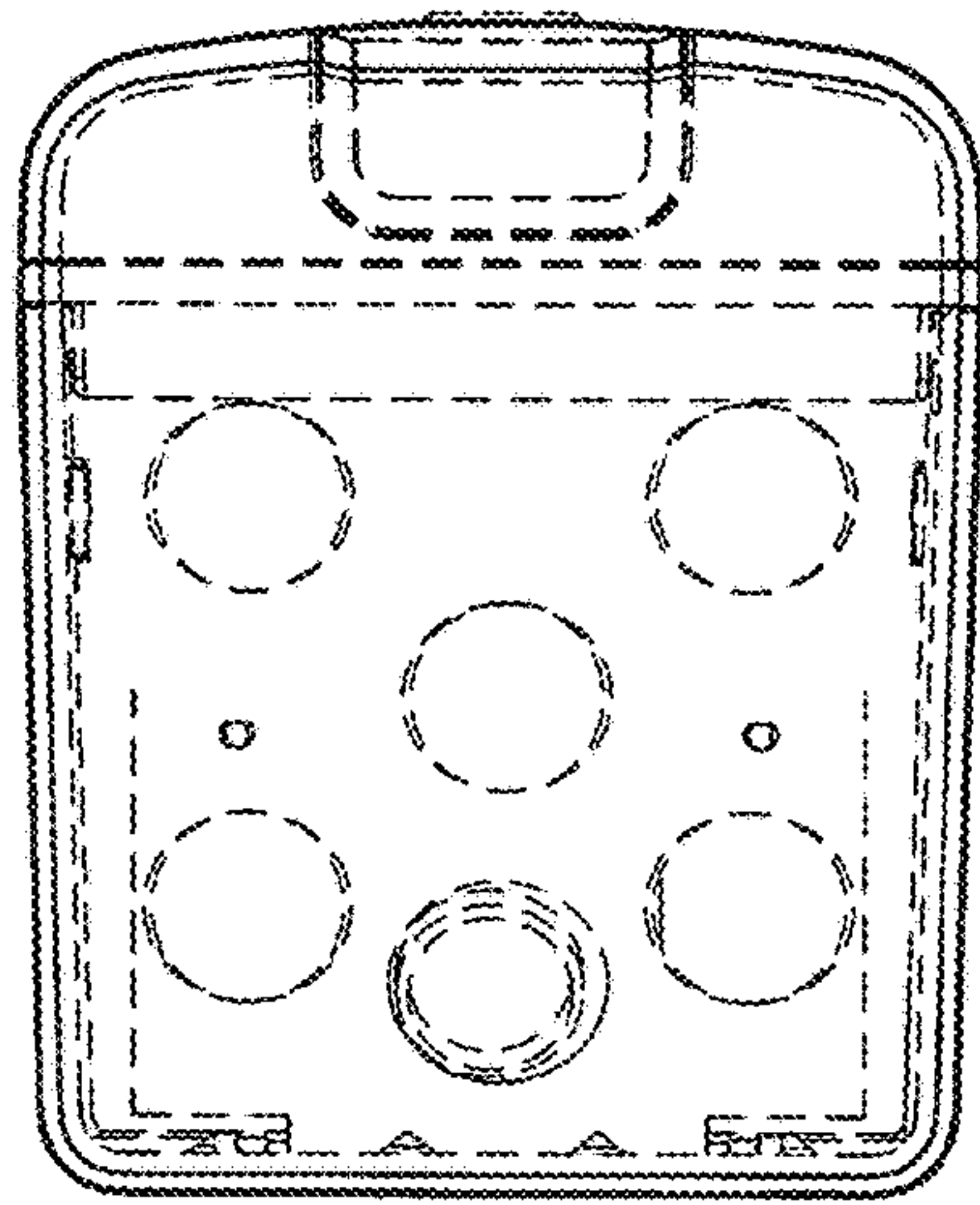


FIG. 5

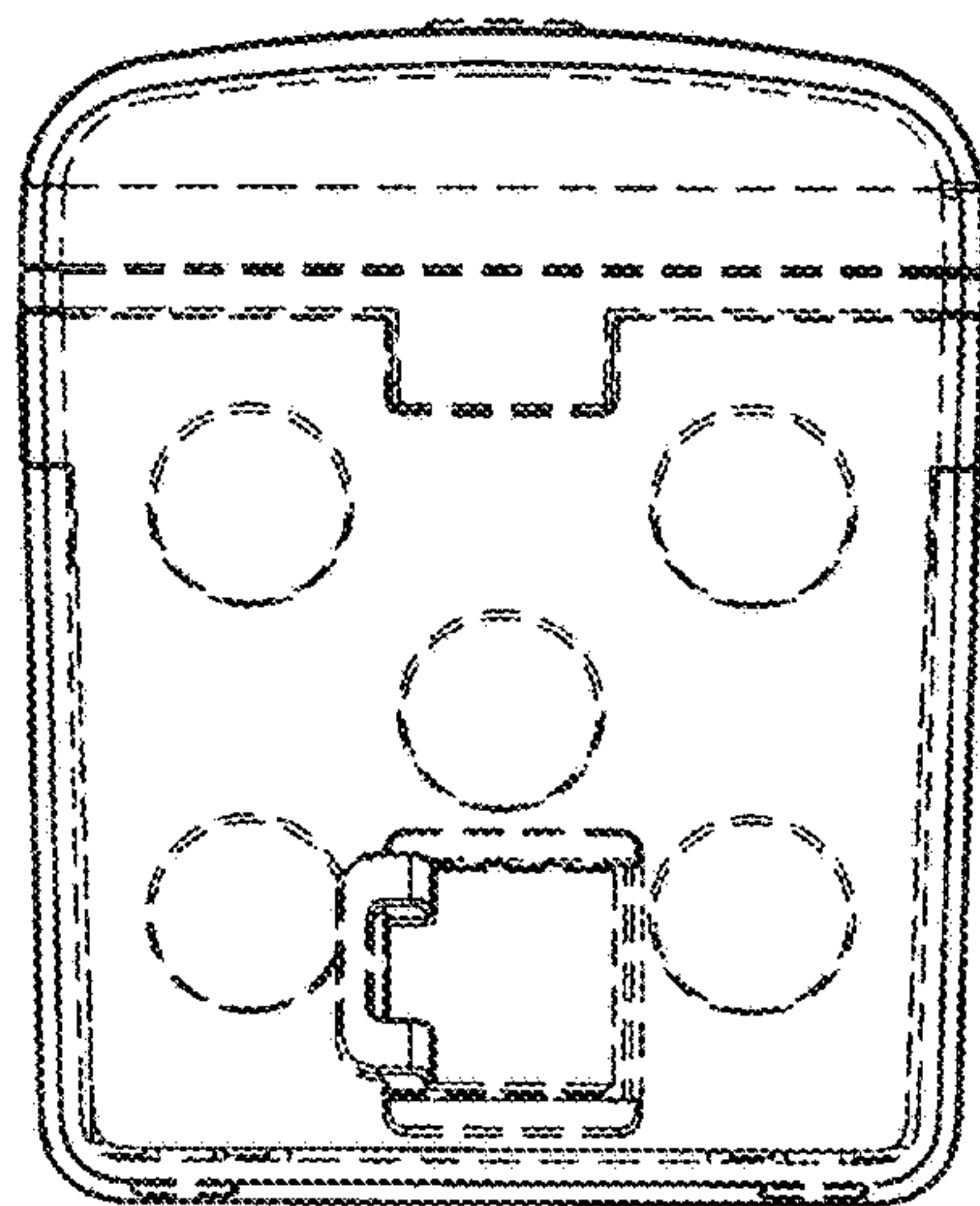


FIG. 6

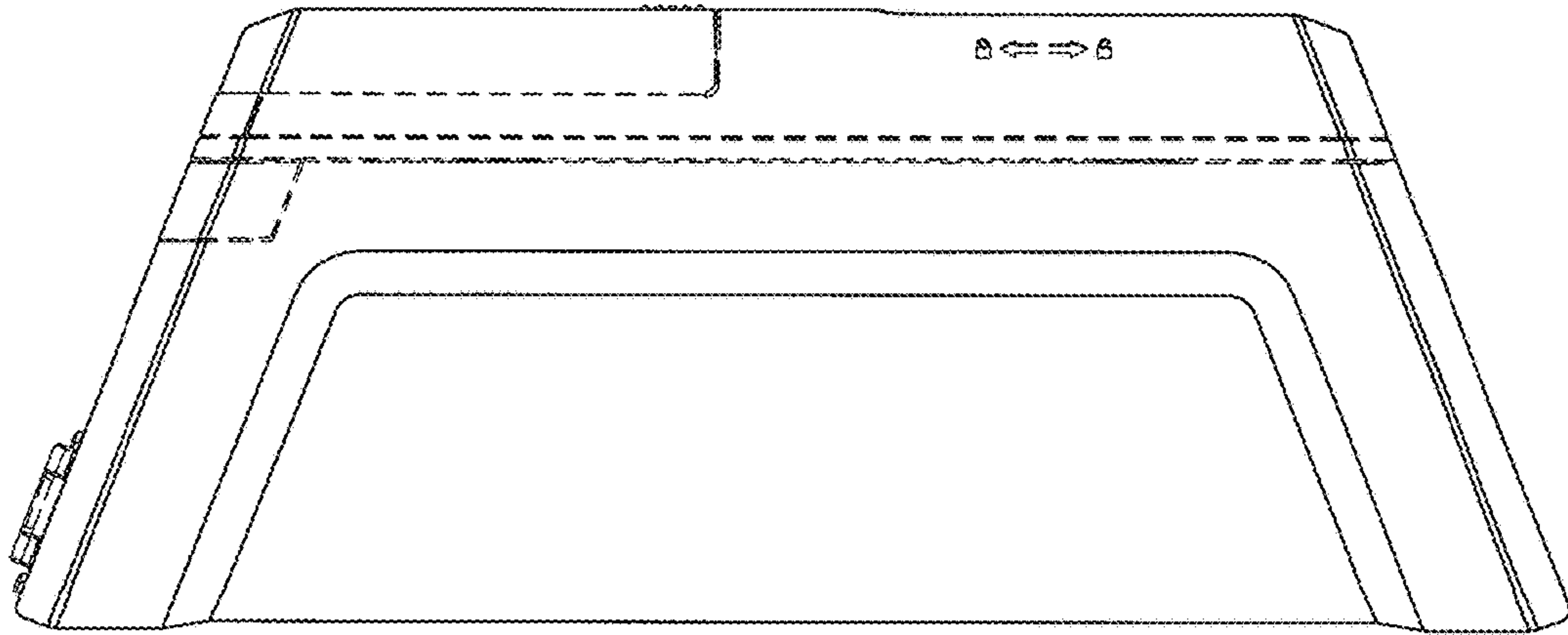


FIG. 7

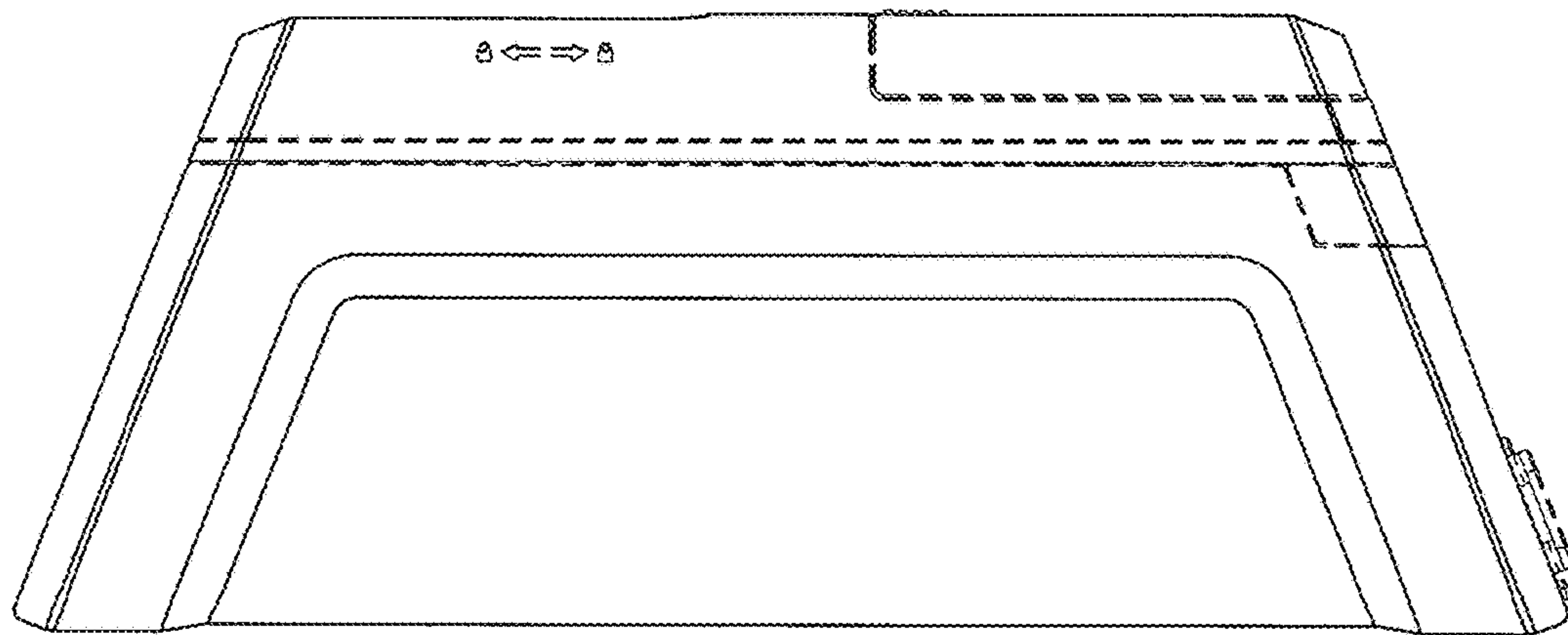


FIG. 8

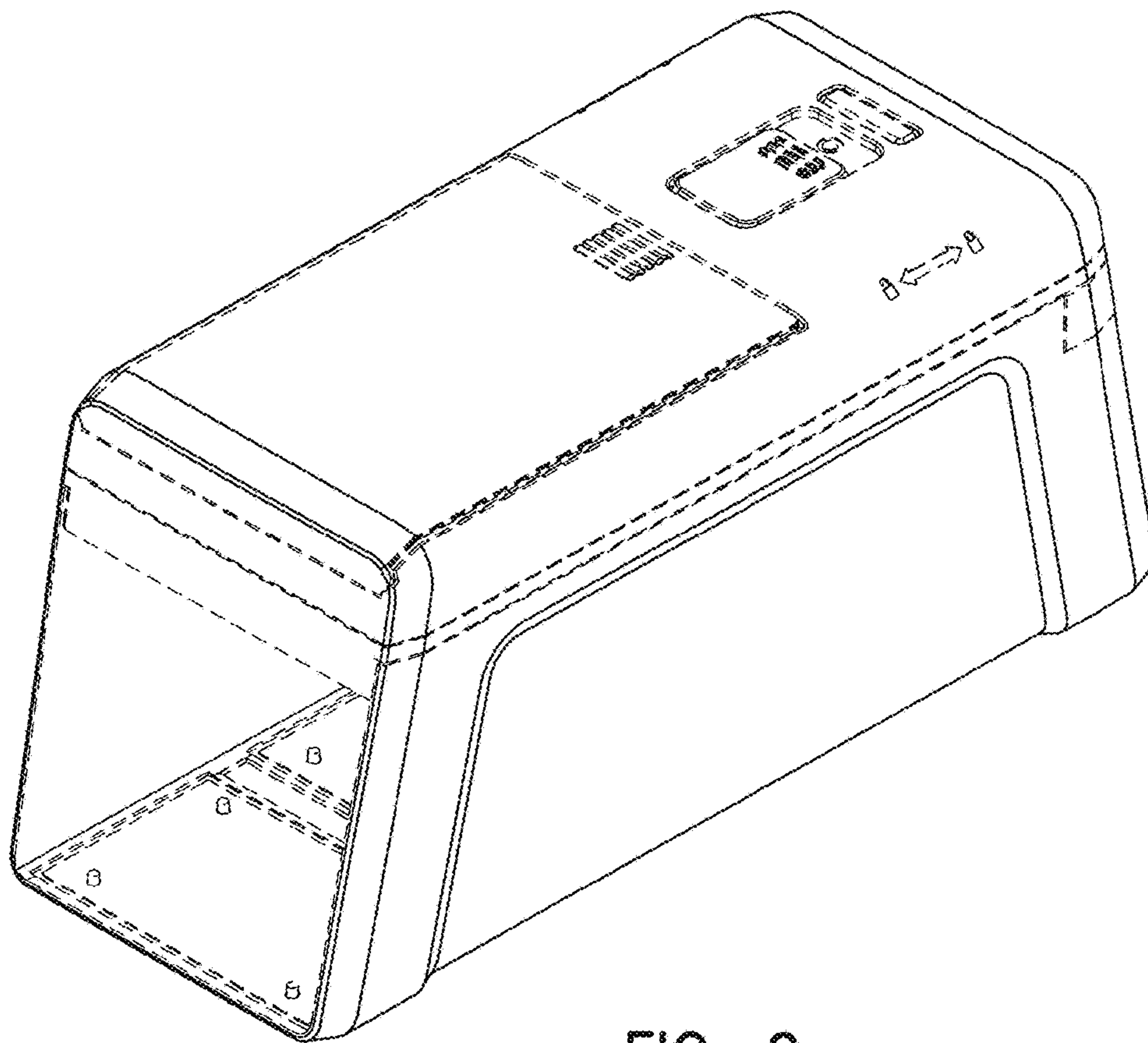


FIG. 9

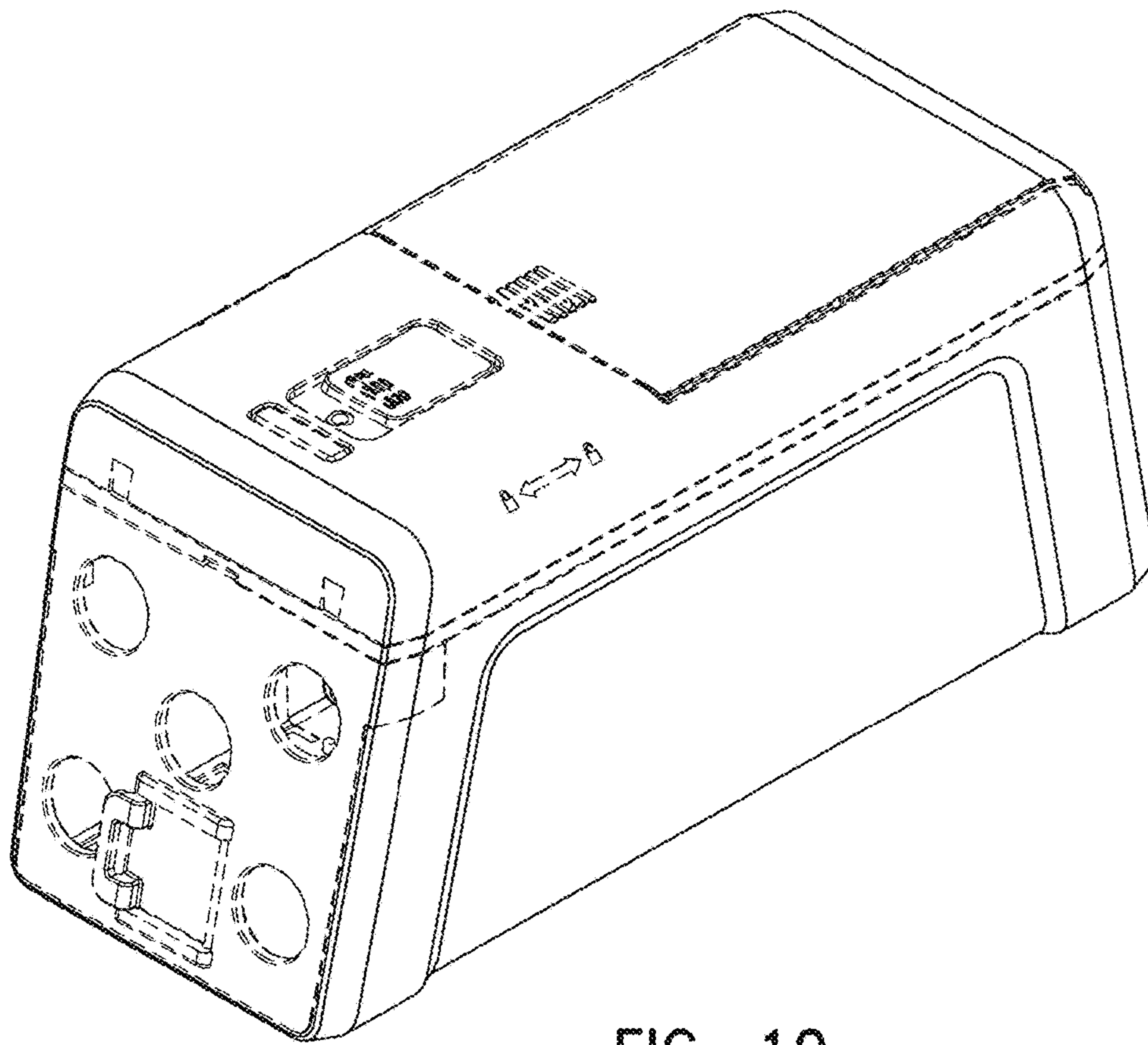


FIG. 10



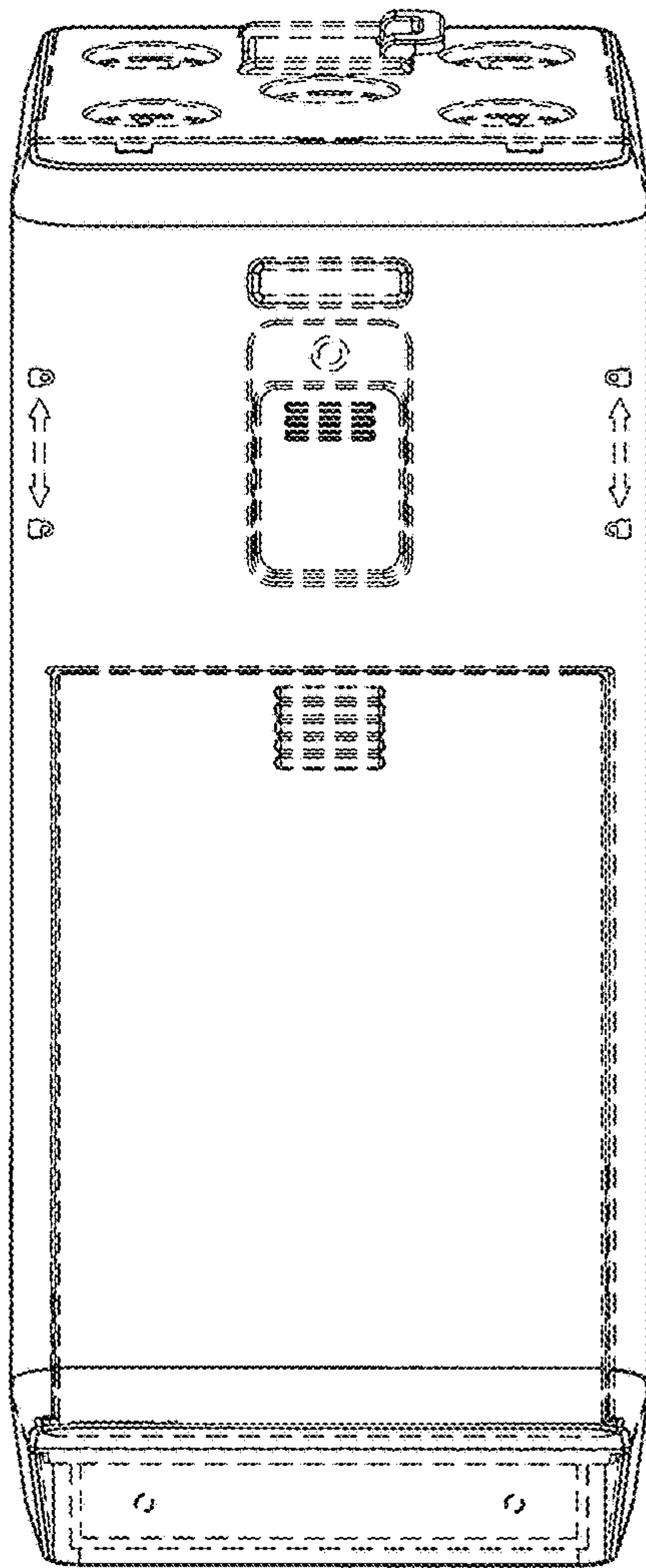


FIG. 11

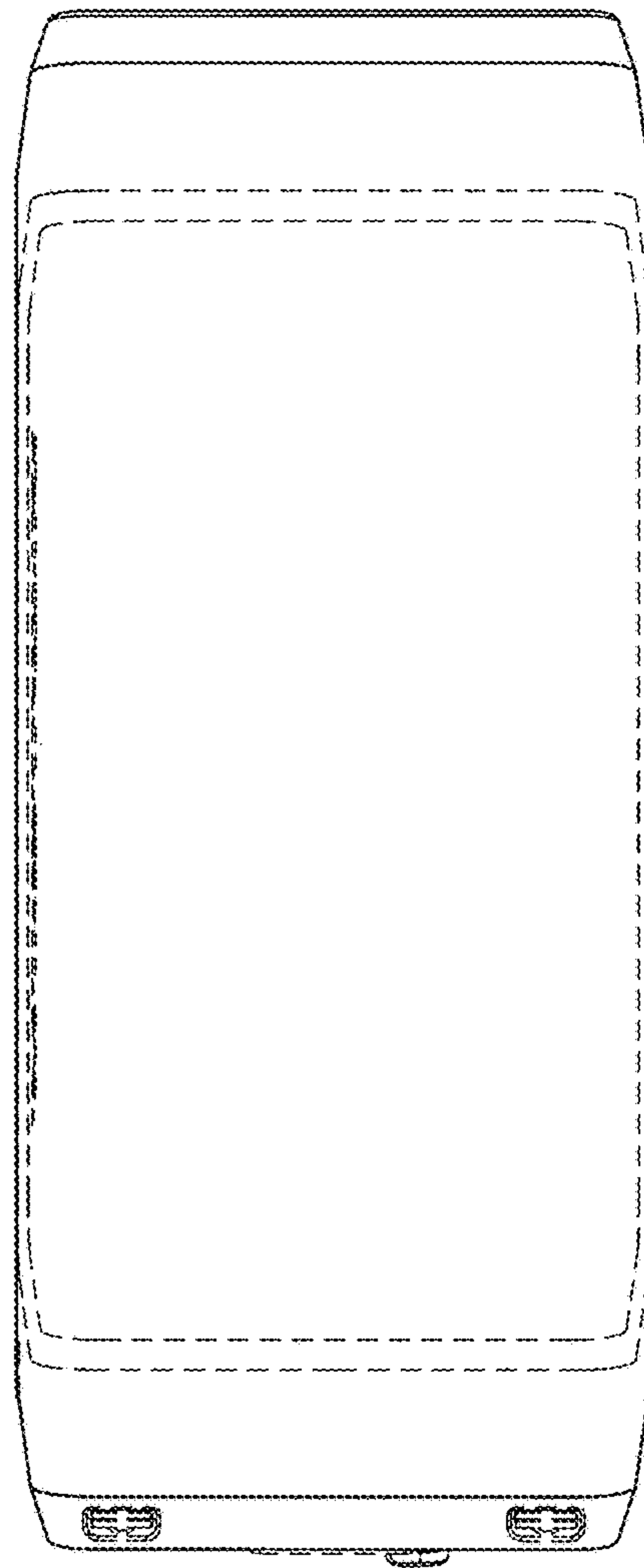


FIG. 12

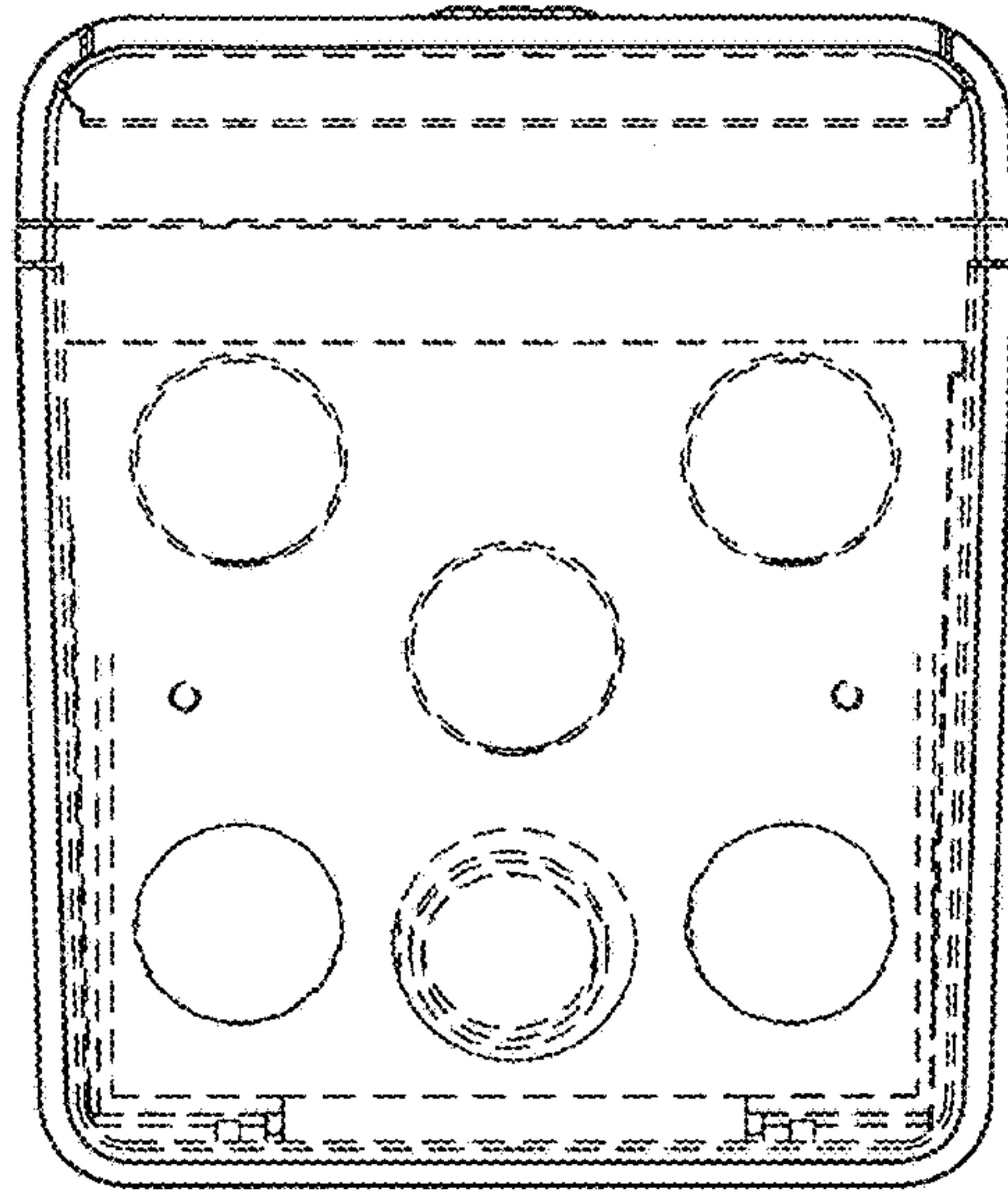


FIG. 13

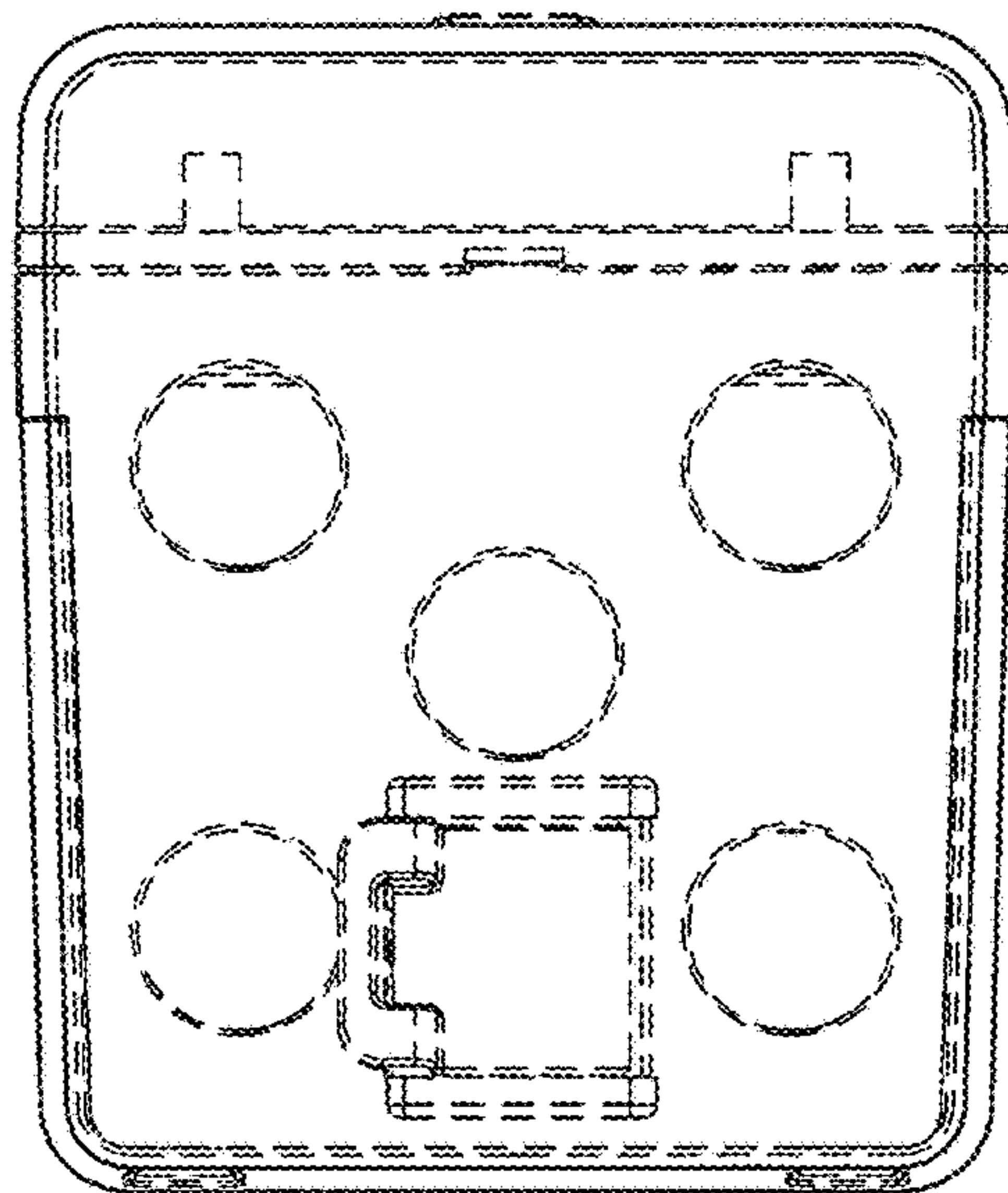


FIG. 14

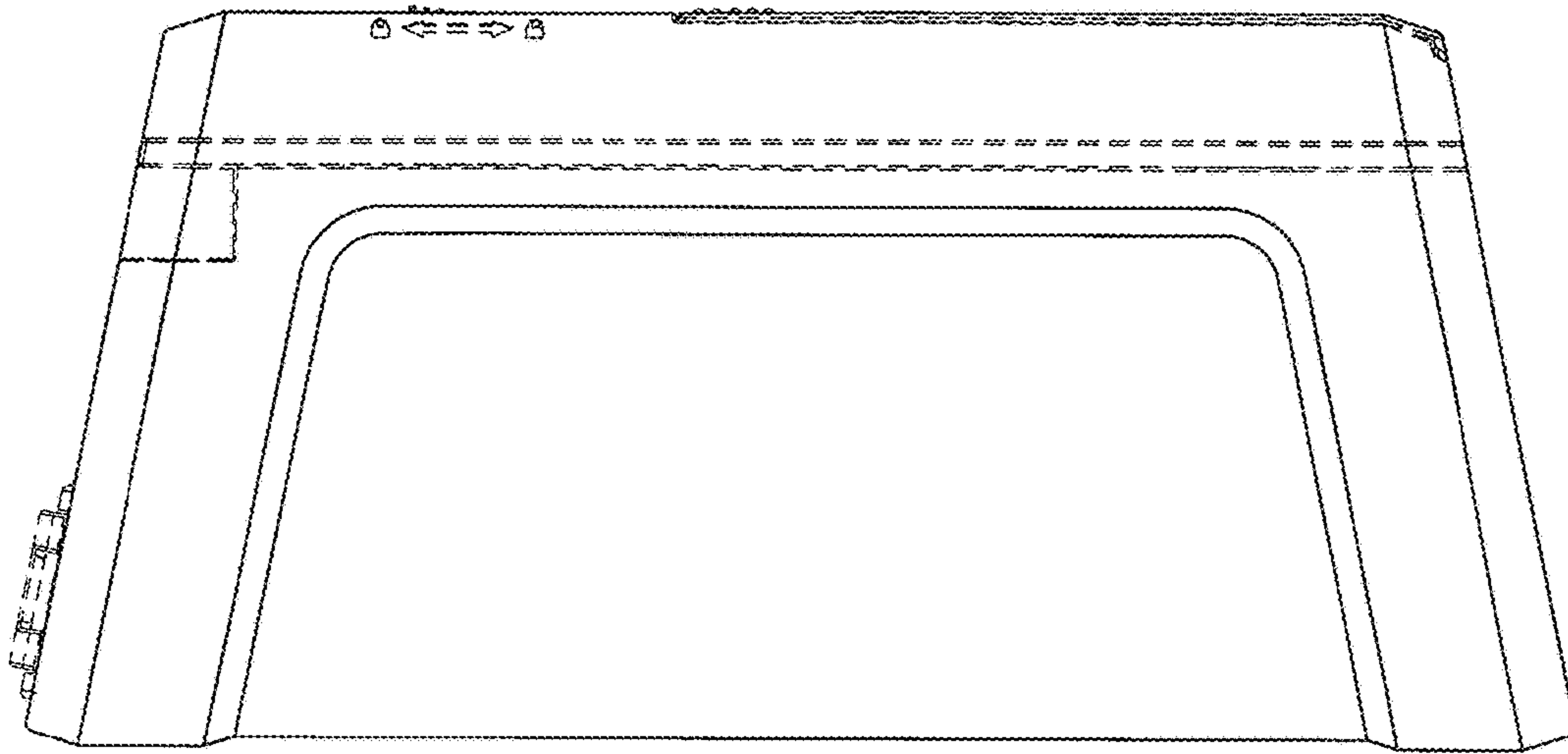


FIG. 15

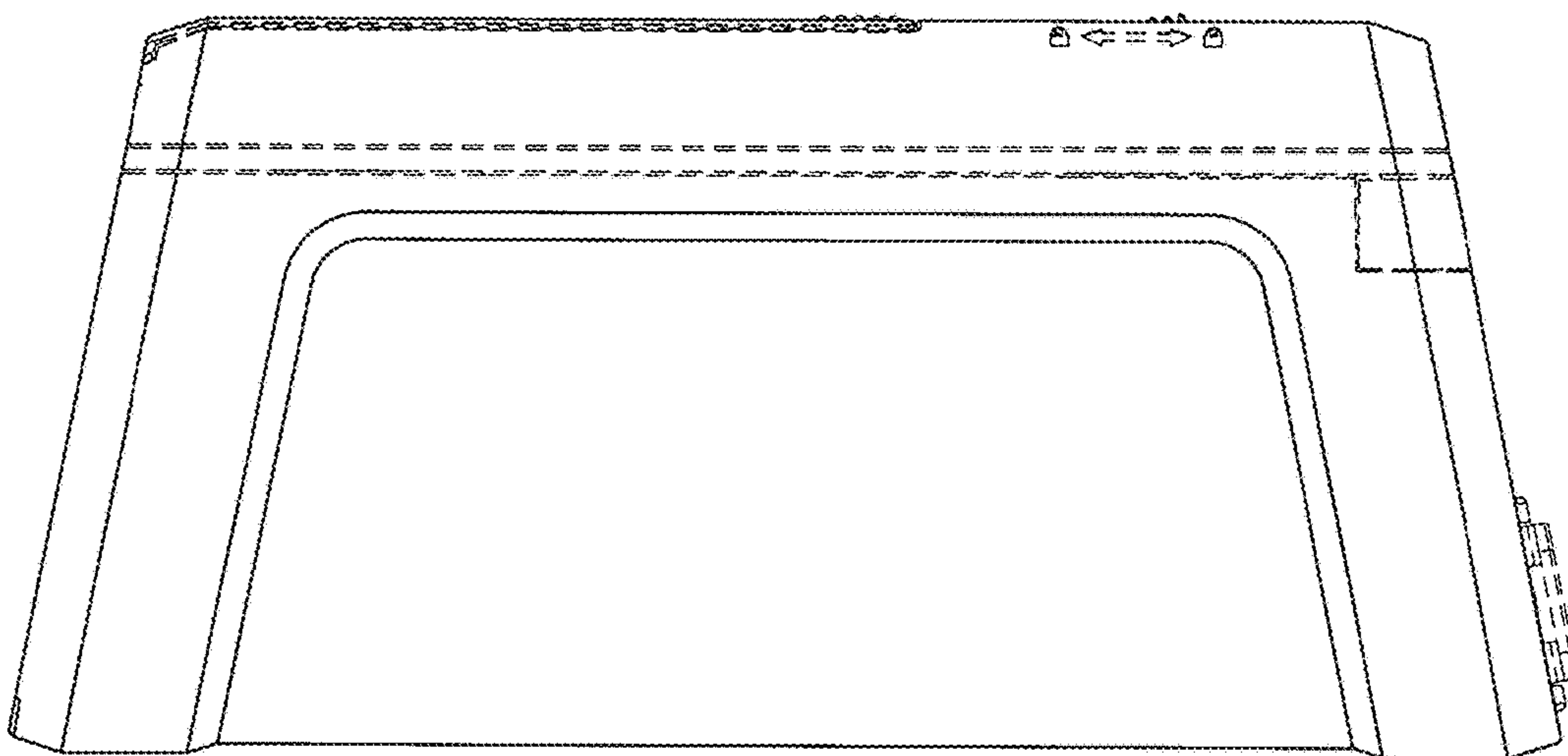


FIG. 16