



US00D836746S

(12) **United States Design Patent** (10) **Patent No.:** **US D836,746 S**
Tyrone (45) **Date of Patent:** **** Dec. 25, 2018**

(54) **ADJUSTABLE CHEEK RISER**
(71) Applicant: **John Tyrone**, West Peoria, IL (US)
(72) Inventor: **John Tyrone**, West Peoria, IL (US)
(**) Term: **15 Years**
(21) Appl. No.: **29/623,638**
(22) Filed: **Oct. 26, 2017**
(51) **LOC (11) Cl.** **22-01**
(52) **U.S. Cl.**
USPC **D22/108**
(58) **Field of Classification Search**
USPC D22/100, 101, 103, 106, 108, 109, 110,
D22/111, 117, 199; D21/300, 301, 570,
D21/573, 574, 575
CPC F41B 5/14; F41B 5/00; F41C 27/00; F41C
23/14; F41C 23/06; F41C 3/00; F41C
7/00; F41C 23/20; F41C 23/08; F41C
23/10; F41G 11/003; F41G 1/18; F41G
1/38; F41G 1/545
See application file for complete search history.

(56) **References Cited**
U.S. PATENT DOCUMENTS
7,124,529 B1 * 10/2006 Havelka, Jr. F41C 23/08
42/74
D634,388 S * 3/2011 Peterson D22/108
D639,891 S * 6/2011 Chvala D22/108
D643,085 S * 8/2011 Peterson D22/103
D645,532 S * 9/2011 Peterson D22/103
D645,533 S * 9/2011 Peterson D22/108
8,341,867 B2 * 1/2013 Criswell F41C 23/14
42/73
D685,873 S * 7/2013 Baker D22/108
D704,294 S * 5/2014 Jarboe D22/108
D707,323 S * 6/2014 Claeys D22/108
D733,247 S * 6/2015 Lewis D22/108
D742,470 S * 11/2015 Battaglia D22/108
D753,782 S * 4/2016 Vazquez D22/108

D787,620 S * 5/2017 Slater D22/108
D788,252 S * 5/2017 Slater D22/108
9,726,444 B1 * 8/2017 Sisk F41A 3/66
D819,769 S * 6/2018 Stevens D22/108
D823,979 S * 7/2018 Stevens D22/108
2006/0254111 A1 * 11/2006 Giauque F41C 23/04
42/72
2007/0101631 A1 * 5/2007 Bentley F41C 23/14
42/74
2008/0236016 A1 * 10/2008 Fitzpatrick F41C 23/14
42/71.01

(Continued)

OTHER PUBLICATIONS

<https://www.amazon.com/dp/B07CG5BWCN>—Earliest product review date of Jun. 4, 2018.*

(Continued)

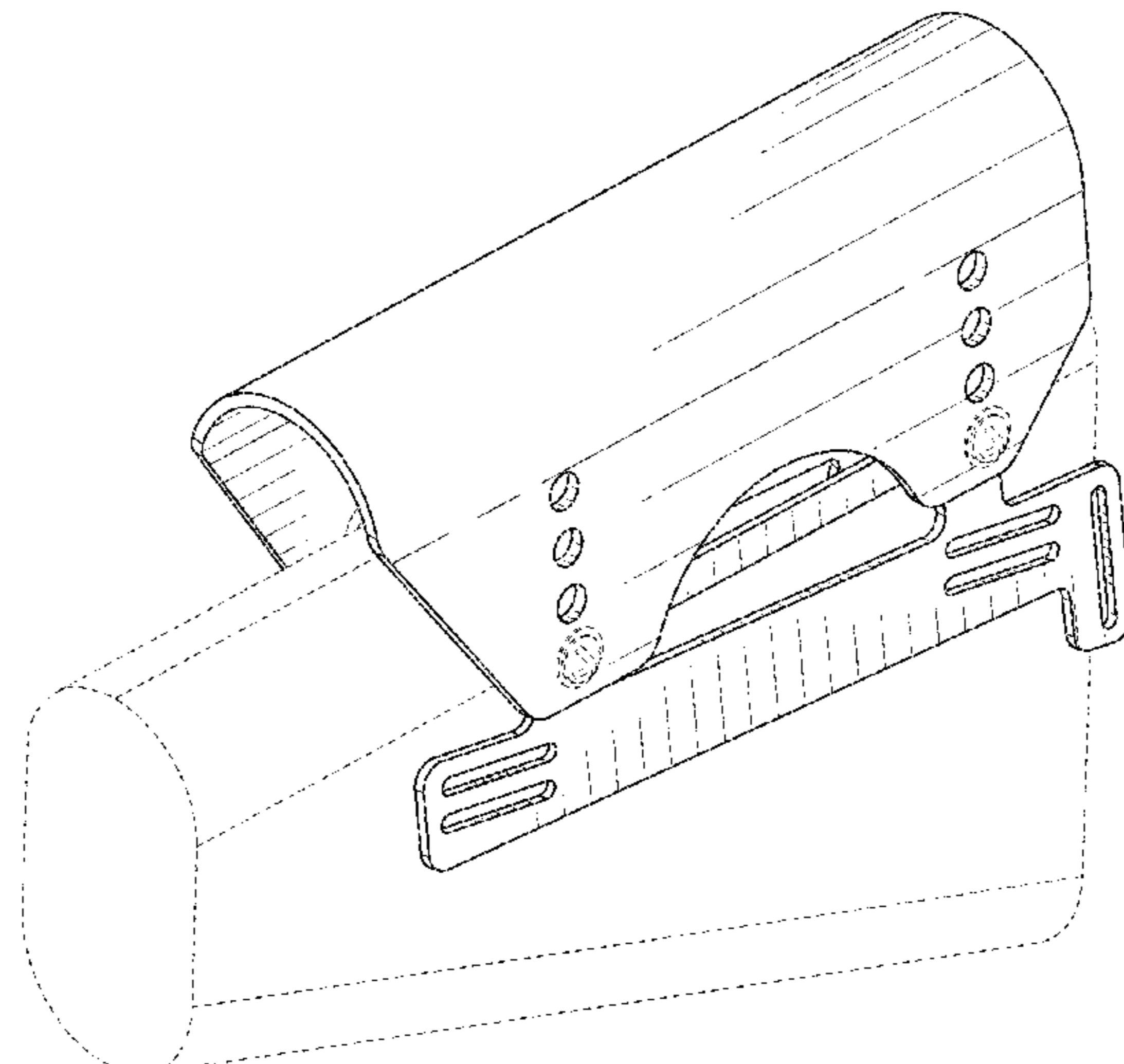
Primary Examiner — Manpreet S Matharu
Assistant Examiner — Mojtaba Tehrani
(74) *Attorney, Agent, or Firm* — McDonnell Boehnen Hulbert & Berghoff LLP

(57) **CLAIM**
The ornamental design for an adjustable cheek riser, as shown and described.

DESCRIPTION

FIG. 1 is a perspective view of an adjustable cheek riser showing my new design;
FIG. 2 is a left side view thereof;
FIG. 3 is a right side view thereof;
FIG. 4 is a rear view thereof;
FIG. 5 is a front view thereof;
FIG. 6 is a top view thereof;
FIG. 7 is a bottom view thereof; and,
FIG. 8 is another perspective view thereof.
The broken lines illustrate portions of the drawings that form no part of the claimed design.

1 Claim, 4 Drawing Sheets



(56)

References Cited

U.S. PATENT DOCUMENTS

2009/0288324 A1* 11/2009 Peterson F41A 11/02
42/75.03
2011/0016764 A1* 1/2011 Cales F41C 23/14
42/90
2014/0196343 A1* 7/2014 Wilson F41C 23/14
42/71.01
2014/0245649 A1* 9/2014 Fluhr F41C 23/14
42/73
2014/0283428 A1* 9/2014 Slater F41C 23/14
42/71.01

OTHER PUBLICATIONS

<https://www.amazon.com/dp/B01B3UL4NM>—Retrieved on Aug. 1, 2018.*

Cheek Rest, M14/M1A, Adjustable, Ambidextrous, Kydex, FA by Tac Pro Gen II, Fulton Armory, <http://www.fulton-armory.com/cheek-rest-adjustable-kydex-m14-m1a-fa-by-tacpro-1.aspx>, Retrieved on Oct. 10, 2017.

Karsten Adjustable Cheek Piece, Sniper Central, <http://www.snipercentral.com/karsten-adjustable-cheek-piece/>, Retrieved on Oct. 10, 2017.

Russian adjustable cheek rest for polymer stocks, Russian Surplus, http://www.russiansurplus.net/product_p/ca-poly-adj-cheek-rest.htm, Retrieved on Oct. 10, 2017.

Voodoo Tactical Adjustable Cheek Rest with Ammo Carrier, LA Police Gear, <http://www.lapolicgear.com/voodoo-cheek-piece.html>, Retrieved on Oct. 10, 2017.

* cited by examiner

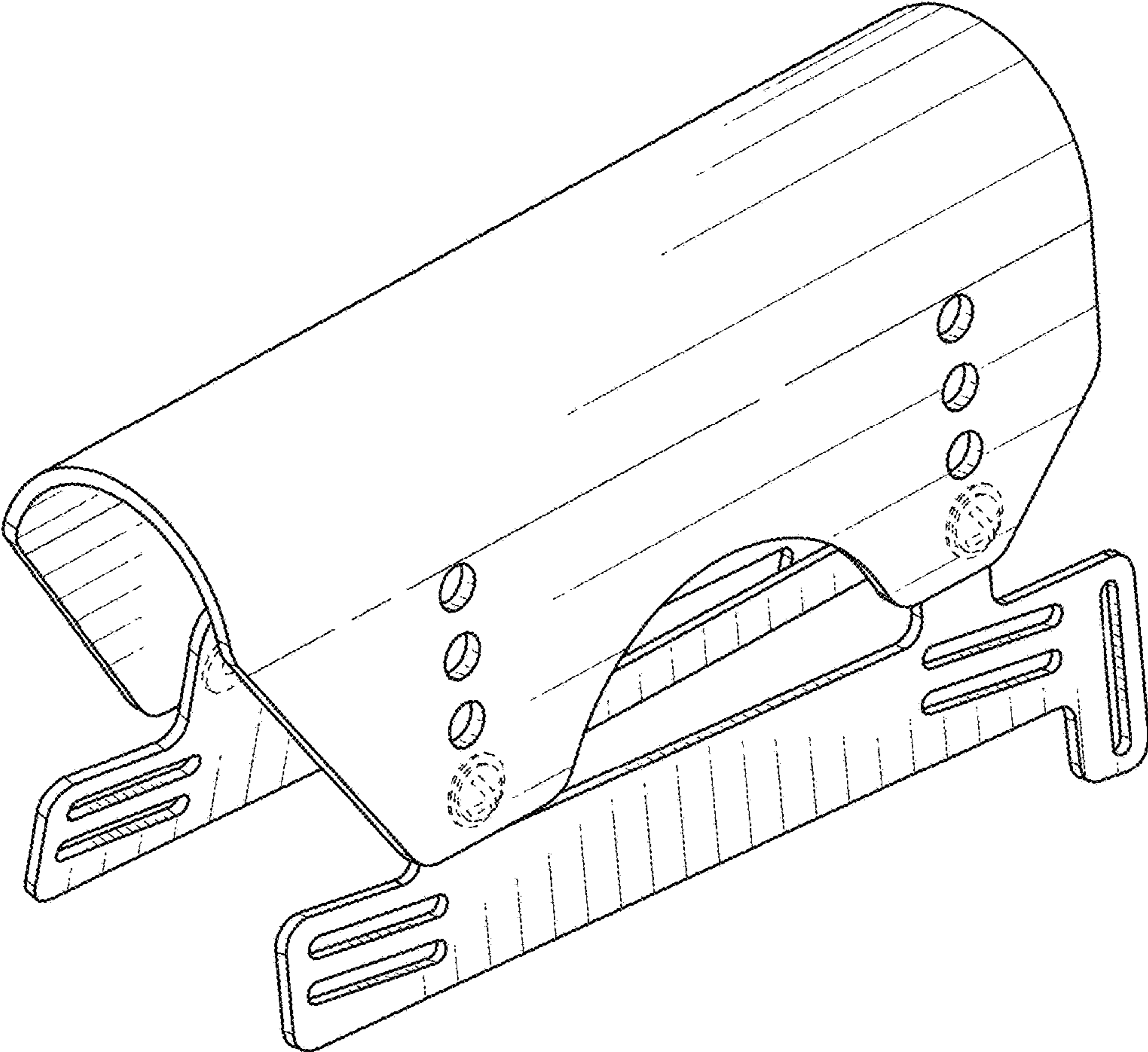


FIG. 1

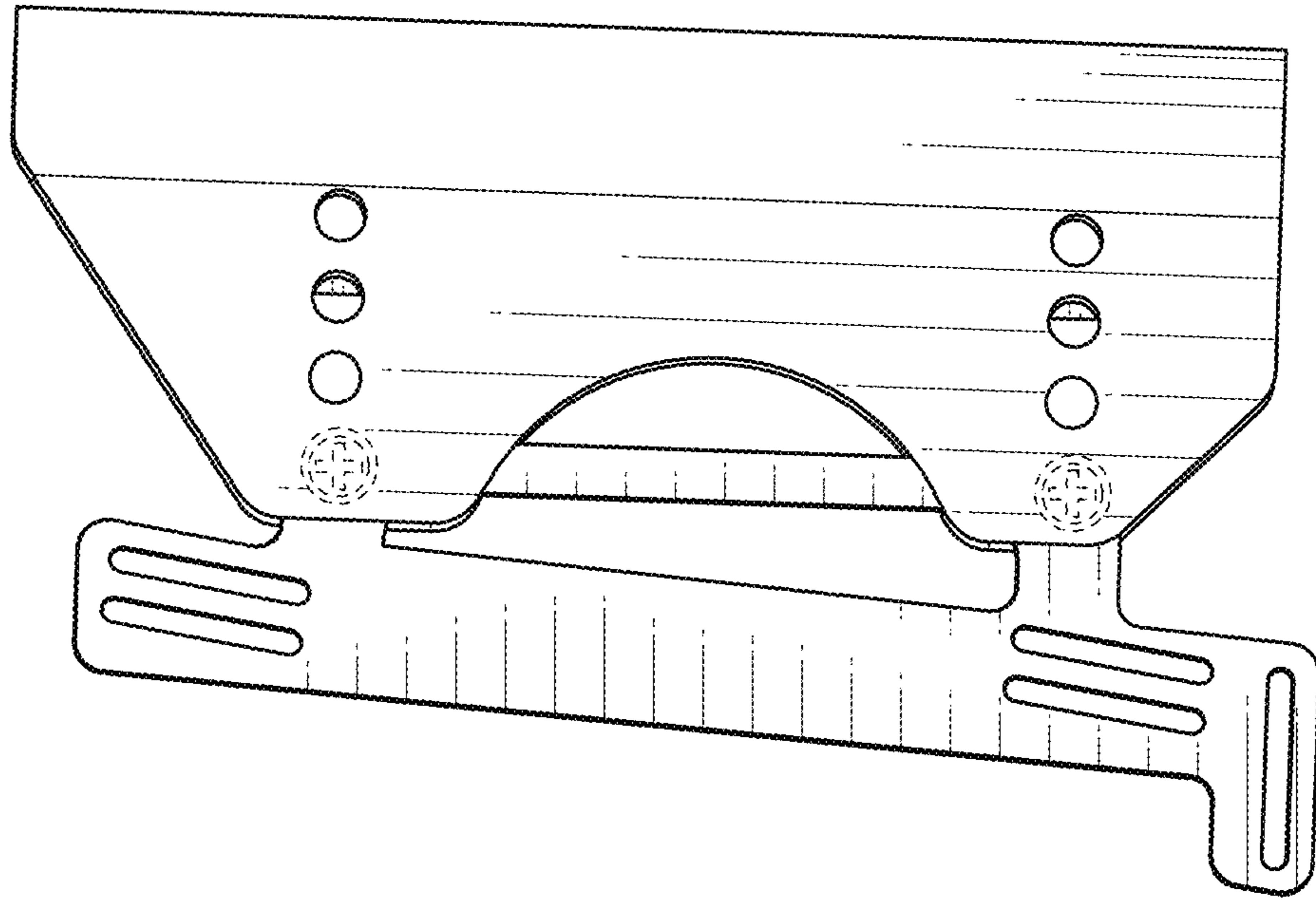


FIG. 2

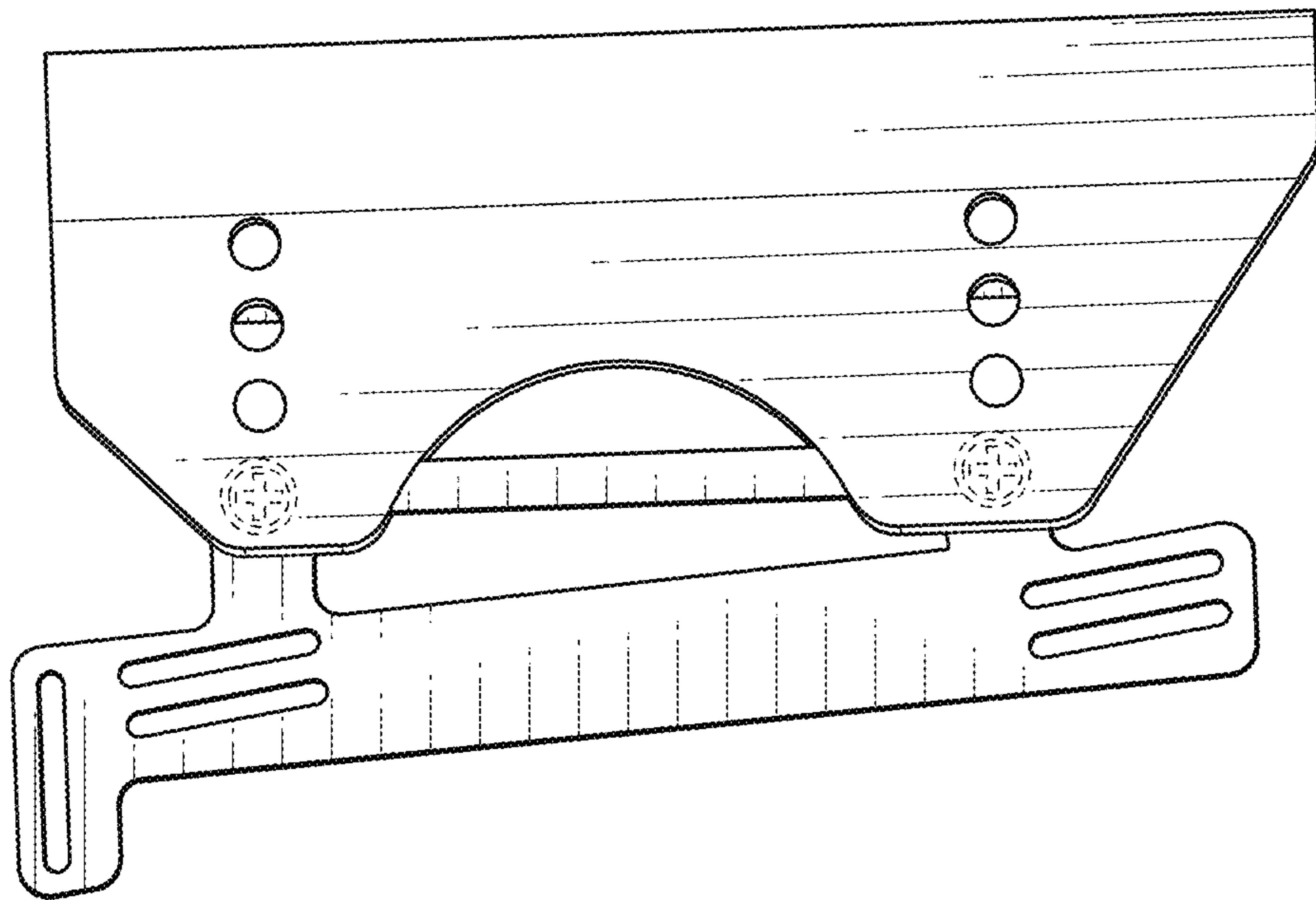


FIG. 3

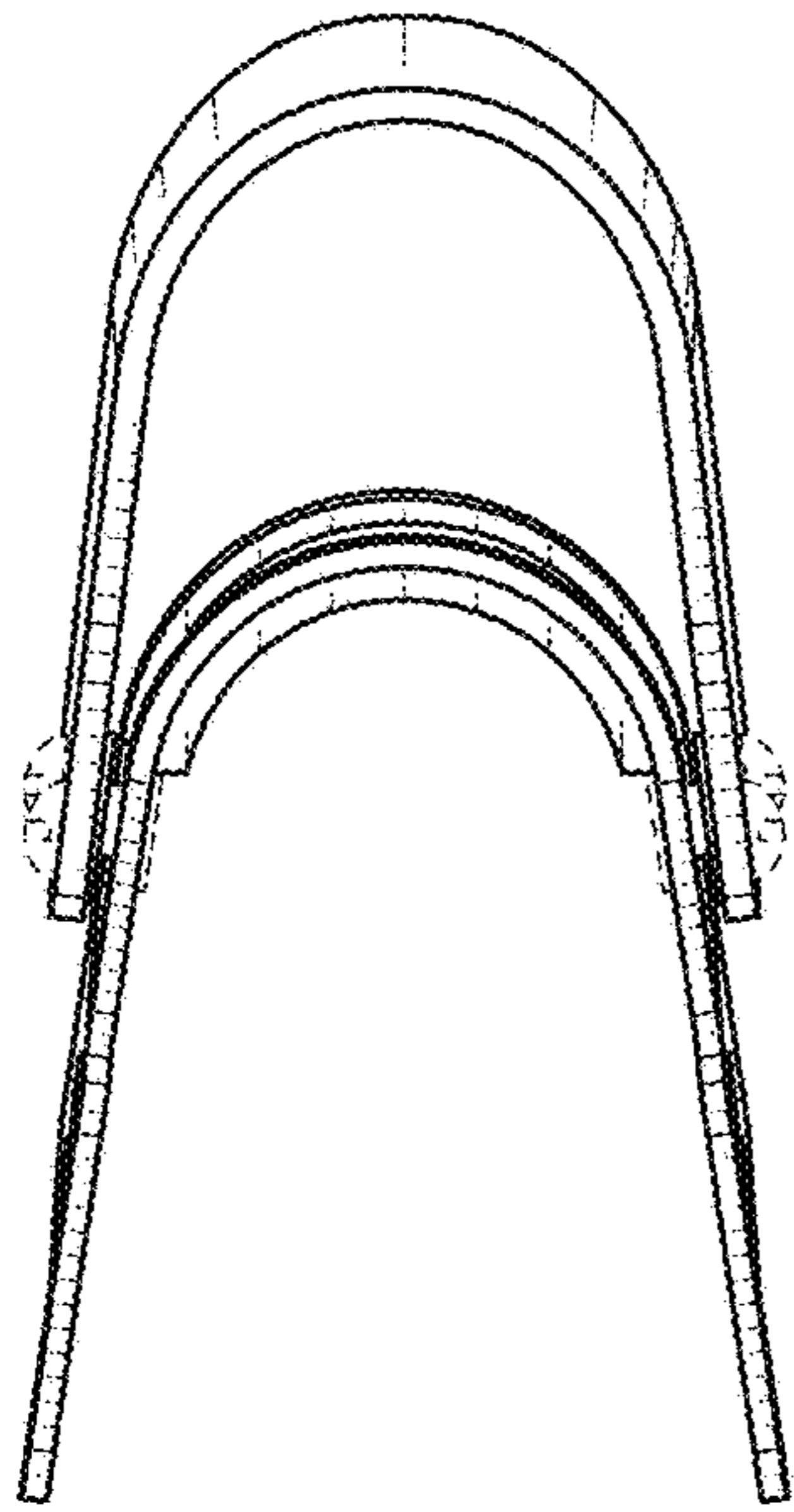


FIG. 4

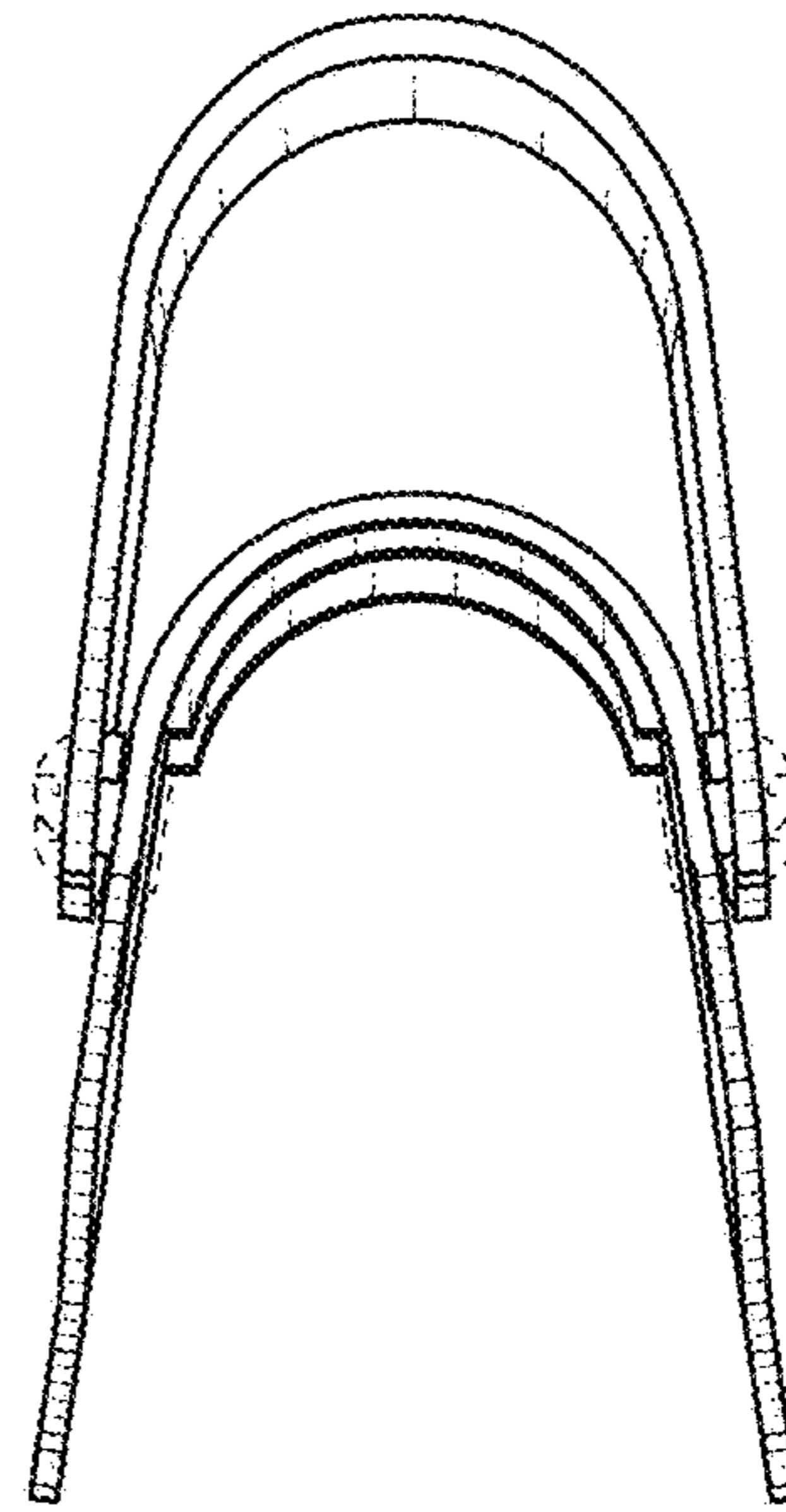


FIG. 5

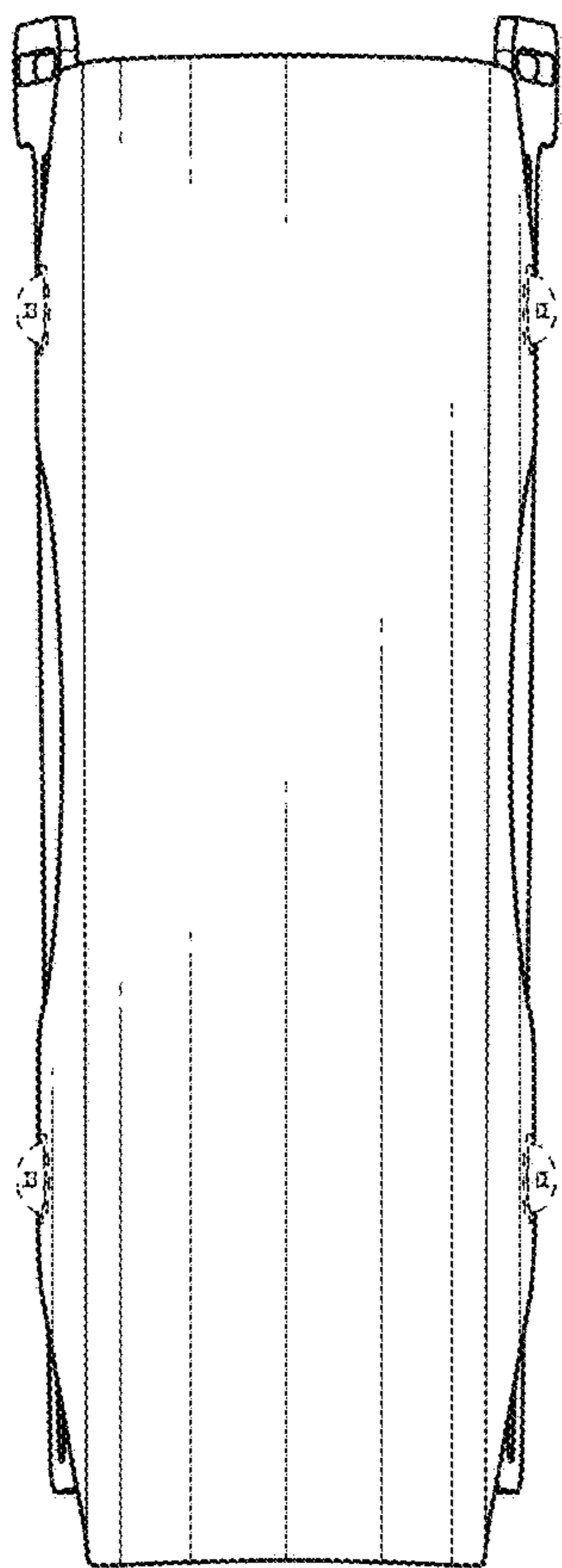


FIG. 6

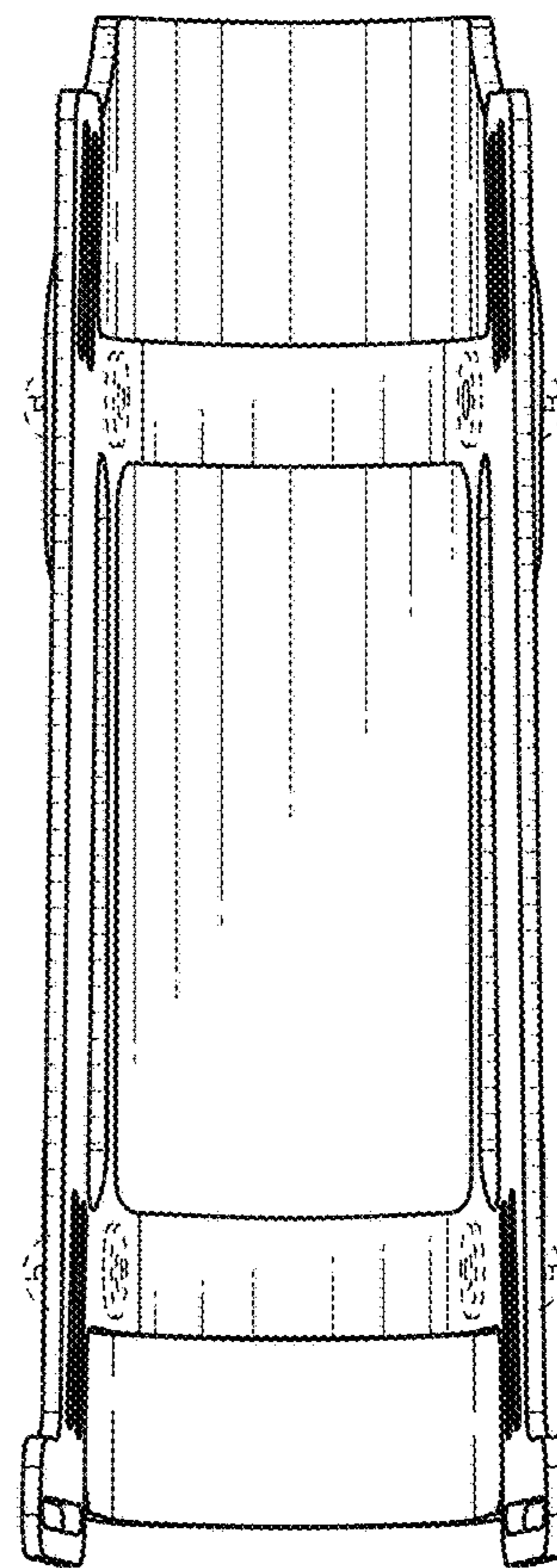


FIG. 7

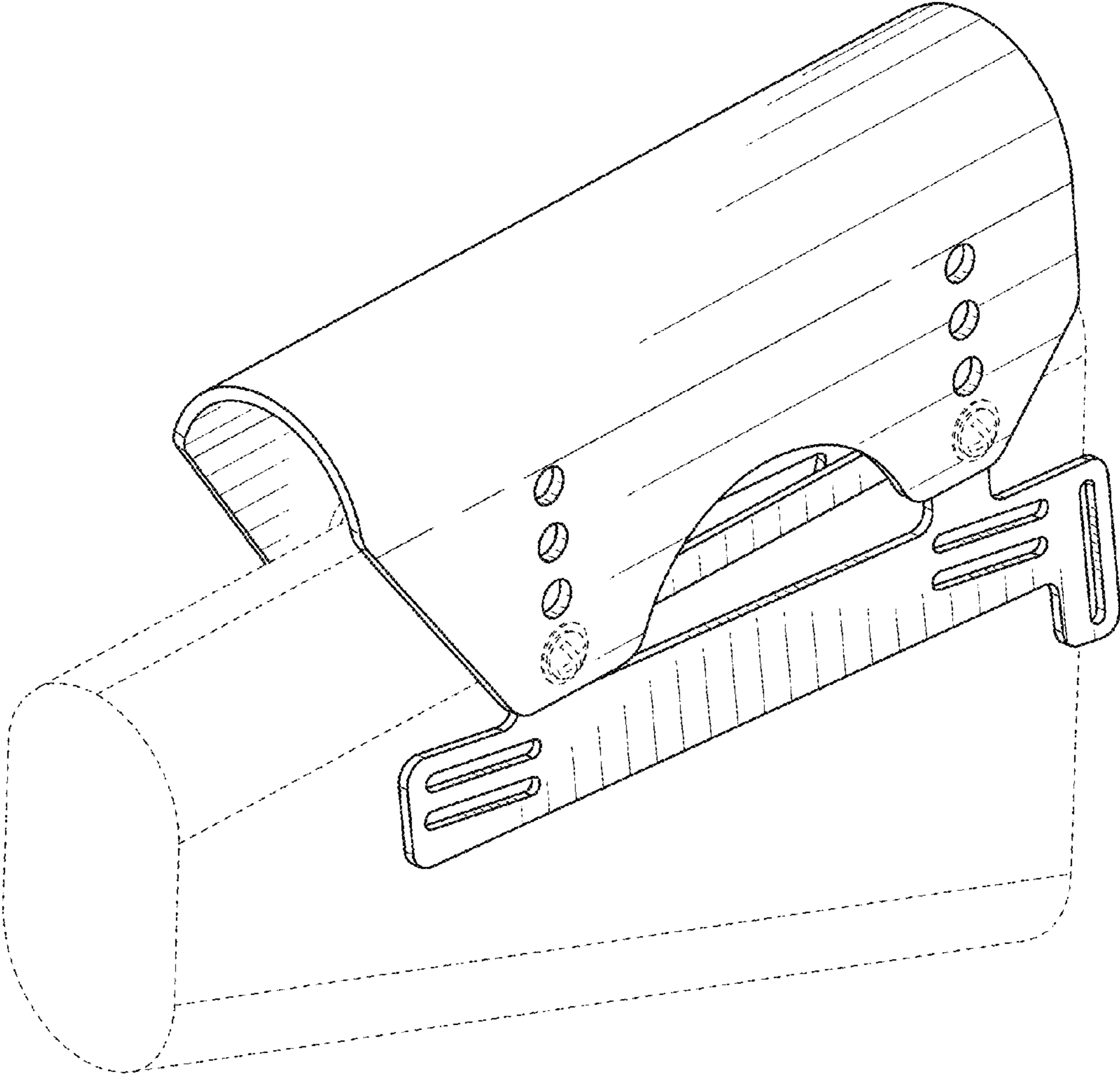


FIG. 8