



US00D836744S

(12) **United States Design Patent**
Hubbard

(10) **Patent No.:** **US D836,744 S**

(45) **Date of Patent:** **** Dec. 25, 2018**

(54) **BARREL STRAP AND RIFLE HOLSTER SET FOR SECURING A RIFLE WHEN SEATED**

(71) Applicant: **Brent R. Hubbard**, Chino Valley, AZ (US)

(72) Inventor: **Brent R. Hubbard**, Chino Valley, AZ (US)

(**) Term: **15 Years**

(21) Appl. No.: **29/595,907**

(22) Filed: **Mar. 2, 2017**

(51) **LOC (11) Cl.** **22-01**

(52) **U.S. Cl.**
USPC **D22/108**

(58) **Field of Classification Search**
USPC D22/100, 103, 108, 109; D3/101–106,
D3/215, 220–222, 225, 228, 230, 254,
(Continued)

(56) **References Cited**

U.S. PATENT DOCUMENTS

2,576,559 A * 11/1951 Bennek F41C 33/002
224/149
3,627,181 A * 12/1971 Bianchi A41F 9/002
2/247

(Continued)

OTHER PUBLICATIONS

Eyourlife Tactical 2 Point Gun Sling Strap Rifle Strap, Amazon.com, [online], [site visited Jun. 14, 2018]. <URL: <https://www.amazon.com/Eyourlife-Tactical-Point-Sling-Adjustable/dp/B01BBLYEOY>> (Year: 2018).*

(Continued)

Primary Examiner — T Chase Nelson

Assistant Examiner — Jonathan J. Han

(74) *Attorney, Agent, or Firm* — Mark V. Loen

(57) **CLAIM**

The ornamental design for a barrel strap and rifle holster set for securing a rifle when seated, as shown and described.

DESCRIPTION

FIG. 1 is a top view of a barrel strap of the barrel strap and rifle holster set for securing a rifle when seated;

FIG. 2 is a right side view thereof, the left side view being a mirror image thereof;

FIG. 3 is a bottom view thereof;

FIG. 4 is an isometric view thereof;

FIG. 5 is a front view of the rifle holster of the barrel strap and rifle holster set for securing a rifle when seated;

FIG. 6 is a right side view thereof, the left side view being a mirror thereof;

FIG. 7 is a top view thereof;

FIG. 8 is a rear view thereof;

FIG. 9 is a bottom view thereof;

FIG. 10 is an isometric view thereof; and,

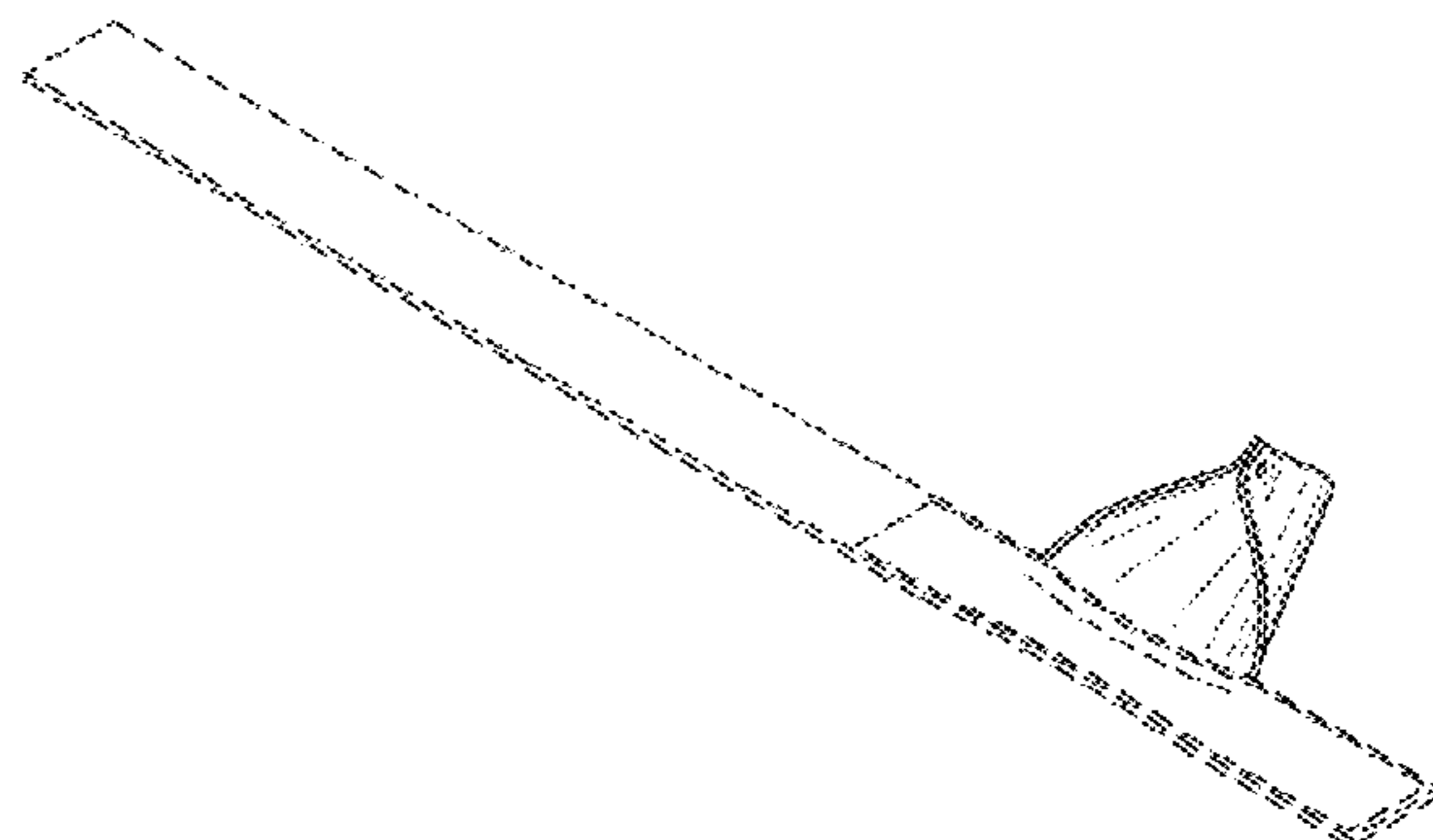
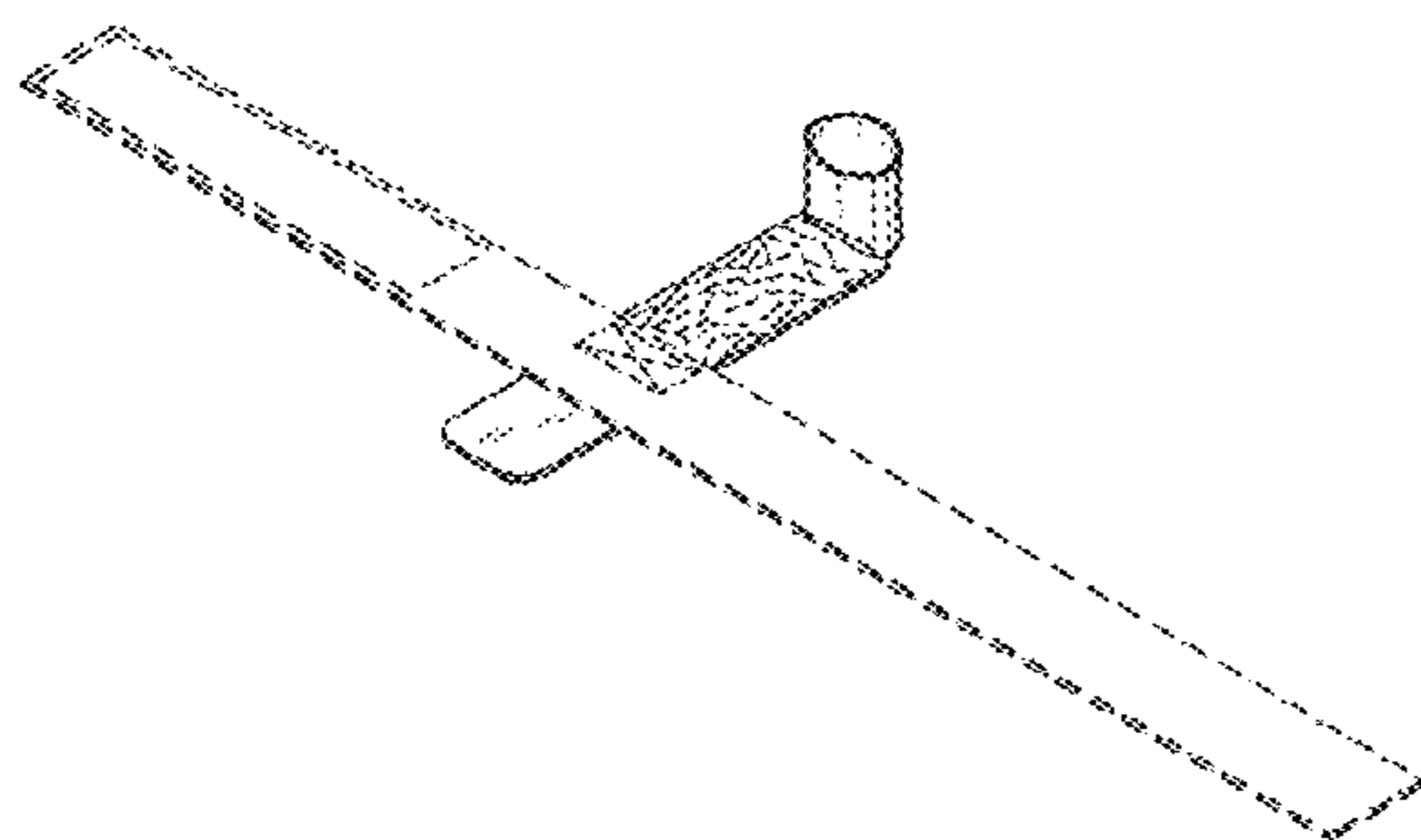
FIG. 11 is an isometric view thereof showing the barrel strap and rifle holster set for securing a rifle when seated in condition of use, illustrating the rifle holster rotation when the rifle is inserted into the rifle holster.

The broken lines in FIGS. 1-4 illustrate unclaimed sewing, unclaimed hook and loop fastener, and an unclaimed leg strap, and which form no part of the claimed invention.

The broken lines in FIGS. 5-10 illustrate unclaimed sewing, unclaimed hook and loop fastener, and an unclaimed leg strap, and which form no part of the claimed invention.

The broken lines shown in FIG. 11 are for purposes of illustrating environmental structure associated with the claimed design in condition of use, and which forms no part of the claimed design.

1 Claim, 4 Drawing Sheets



(58) **Field of Classification Search**

USPC D3/262, 269, 299–300, 904; 43/26;
 206/314, 315.11, 317; 224/913, 150, 602,
 224/603, 190, 191, 192; D14/496, 156,
 D14/138, 250, 253; 604/263
 CPC A45F 5/02; A45F 5/021; A45F 2200/0575;
 A45F 2200/0566; A45F 3/14; A45F
 2003/025; A45F 3/04; A45F 3/047; A45F
 3/06; A45F 2003/148; A45F 2003/007;
 A45F 2200/0591; B25H 3/006
 See application file for complete search history.

(56) **References Cited**

U.S. PATENT DOCUMENTS

D271,608 S * 11/1983 Finley D22/108
 5,302,302 A * 4/1994 Shelley A45F 5/02
 224/148.4
 5,303,860 A * 4/1994 Serafini, Jr. F41C 33/0218
 220/324
 D349,188 S * 8/1994 Powers D3/221
 5,400,935 A * 3/1995 Farmer F41C 33/0227
 224/198
 5,513,785 A 5/1996 Campagna, Jr.
 D370,776 S * 6/1996 Frey 224/624
 D378,954 S * 4/1997 Daigle D3/262
 D395,359 S * 6/1998 Olsen D3/221
 5,915,607 A * 6/1999 Newbould, Jr. B26B 29/025
 224/232
 D420,216 S * 2/2000 Birkbeck, III D3/215
 D447,864 S * 9/2001 Casparian D3/218
 D461,307 S * 8/2002 Loyd D3/222
 D500,591 S * 1/2005 Greene D3/218
 D500,592 S * 1/2005 Thayer D3/228
 D532,639 S * 11/2006 Snell D6/567

D539,531 S * 4/2007 Clark D3/223
 D541,933 S * 5/2007 White D11/146
 D542,029 S * 5/2007 Schmidt D3/220
 D542,525 S * 5/2007 Schmidt D3/220
 D562,549 S * 2/2008 Bodnar D3/222
 7,389,899 B2 * 6/2008 Johnson A45F 5/02
 224/675
 D576,275 S * 9/2008 White D24/128
 D578,642 S * 10/2008 White D24/128
 7,913,959 B2 * 3/2011 White A61C 19/00
 248/314
 8,381,953 B2 * 2/2013 Vennemeyer F41C 33/048
 224/192
 D680,735 S * 4/2013 Itabashi D3/220
 D690,504 S * 10/2013 Tyybakinoja D3/222
 D788,452 S * 6/2017 DiLeo D3/222
 D789,078 S * 6/2017 Paniwozik D3/222
 D789,681 S * 6/2017 Grisamore D3/215
 9,833,677 B2 * 12/2017 Ross A63B 60/16
 9,846,008 B1 * 12/2017 DiLeo F41C 33/046
 D807,031 S * 1/2018 Madrid D3/222

OTHER PUBLICATIONS

Bungee Weapon Retention Strap, Velye.com, [online], [site visited Jun. 14, 2018]. <URL: <https://www.velye.com/product/bungee-weapon-retention-strap/>> (Year: 2018).*

Harnessing Power: Top 13 Tactical Slings & Carry Systems, Tactical-Life.com, Apr. 29, 2015, by David Maccar, [online], [site visited Jun. 14, 2018]. <URL: <https://www.tactical-life.com/gear/top-13-tactical-slings-carry-systems/>> (Year: 2015).*

Only—Bad Azz Sling Strap Mounting Adapters, ColdSteelTactical.com, [online], [site visited Jun. 14, 2018]. <URL: <https://coldsteeltactical.com/product/only-bad-azz-rifle-sling-strap-mounting-adapters/>> (Year: 2018).*

* cited by examiner

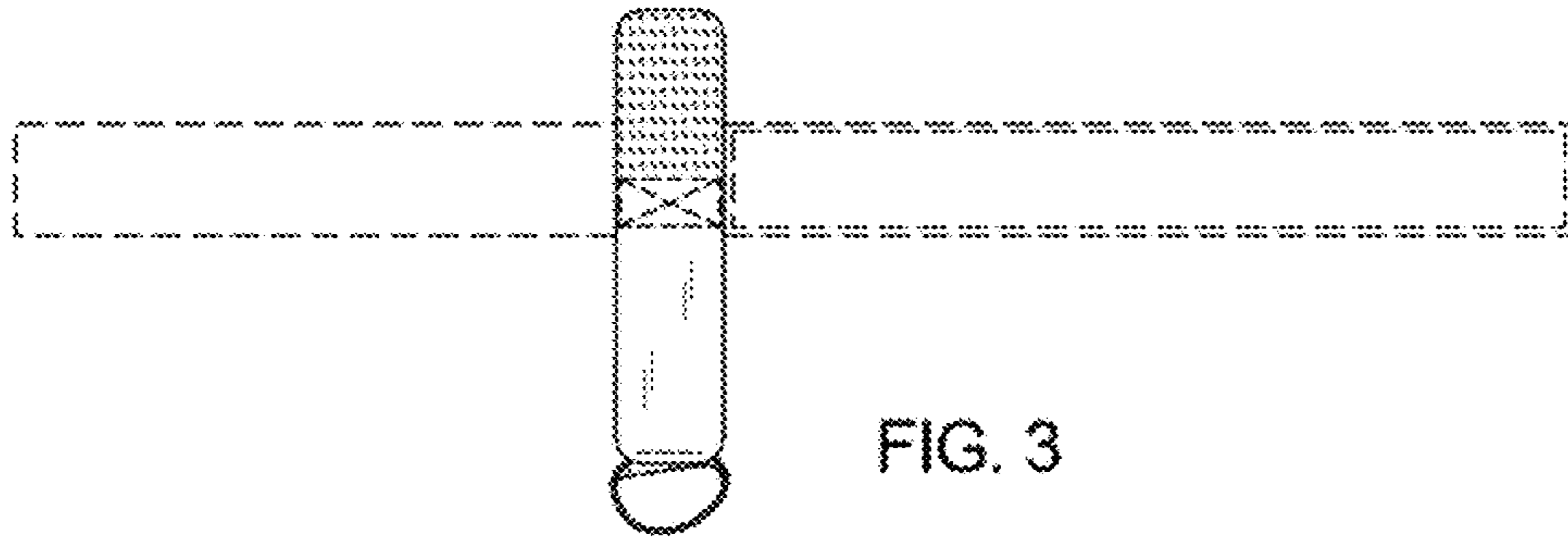


FIG. 3

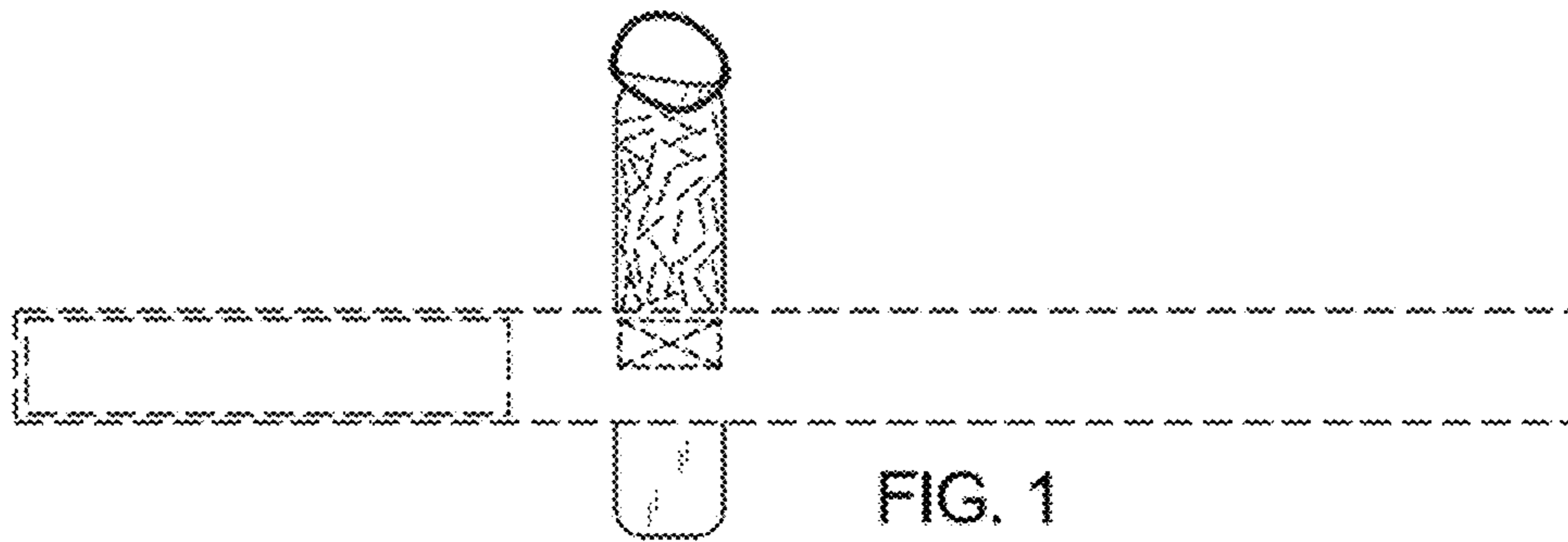


FIG. 1



FIG. 2

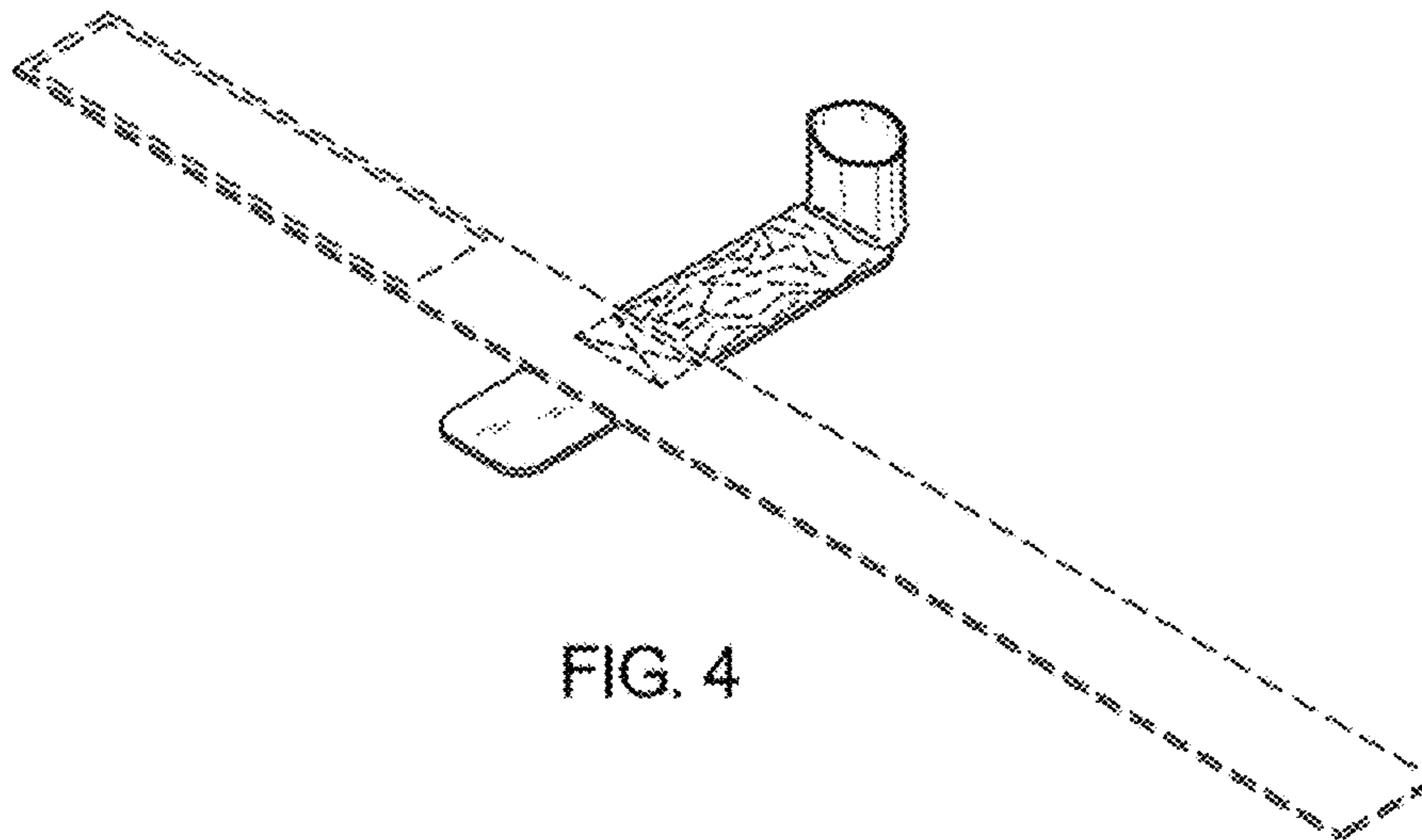


FIG. 4



FIG. 9

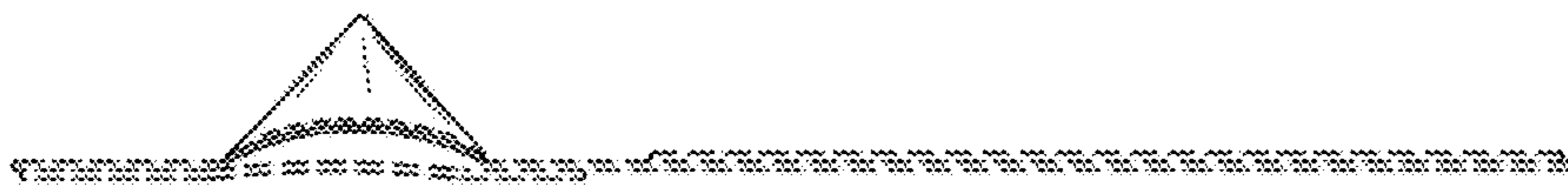


FIG. 8

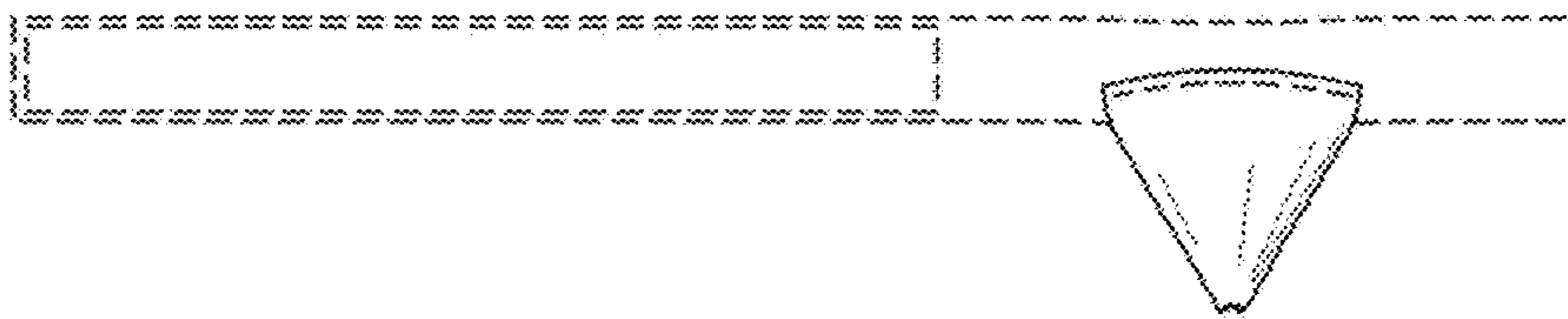


FIG. 7



FIG. 5



FIG. 6

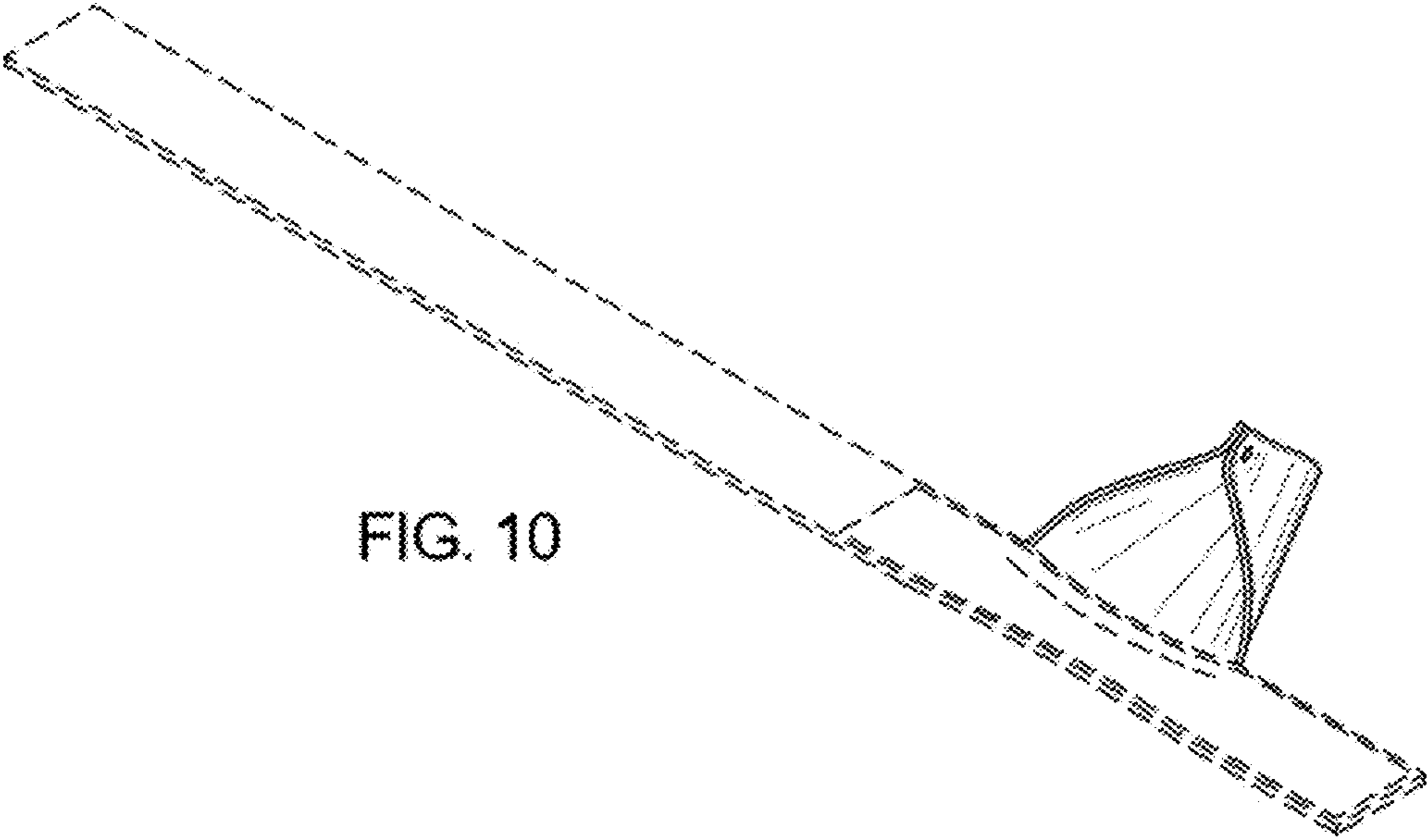


FIG. 10

