



US00D836742S

(12) **United States Design Patent**
Hill et al.

(10) **Patent No.:** **US D836,742 S**

(45) **Date of Patent:** **** Dec. 25, 2018**

(54) **INFLATABLE VEHICLE ROOF TENT AND ANNEXE**

(71) Applicant: **Opus RV Pty Ltd**, Braeside Vic (AU)

(72) Inventors: **Malcolm Hill**, Braeside Vic (AU);
Jason Dodd, Braeside Vic (AU); **Ben Liu**, Braeside Vic (AU)

(73) Assignee: **Opus RV Pty Ltd**, Braeside, Victoria (AU)

(**) Term: **15 Years**

(21) Appl. No.: **29/631,177**

(22) Filed: **Dec. 28, 2017**

(30) **Foreign Application Priority Data**

Jun. 29, 2017 (AU) 201713971

(51) **LOC (11) Cl.** **21-04**

(52) **U.S. Cl.**
USPC **D21/834**

(58) **Field of Classification Search**
USPC D21/834, 835, 836, 837, 838, 839, 840
CPC E04H 15/00; E04H 15/02; E04H 15/18;
E04H 15/28; E04H 15/32; E04H 15/34;
E04H 15/40; E04H 15/42; E04H 15/425;
E04H 15/50

See application file for complete search history.

(56) **References Cited**

U.S. PATENT DOCUMENTS

D220,176 S * 3/1971 Lambert D12/403
4,657,299 A * 4/1987 Mahan B62D 33/0207
135/88.13

5,205,089 A * 4/1993 Cunningham E04H 15/06
135/132
6,067,676 A * 5/2000 Carnahan A47D 13/06
135/116
D503,143 S * 3/2005 Napieraj D12/403
6,905,162 B2 * 6/2005 Lester 296/100.16
D516,497 S * 3/2006 Napieraj D12/403
D777,344 S * 1/2017 Hill D21/834

* cited by examiner

Primary Examiner — Robin V Webster

Assistant Examiner — Keith J Wilson

(74) *Attorney, Agent, or Firm* — Sand & Sebolt

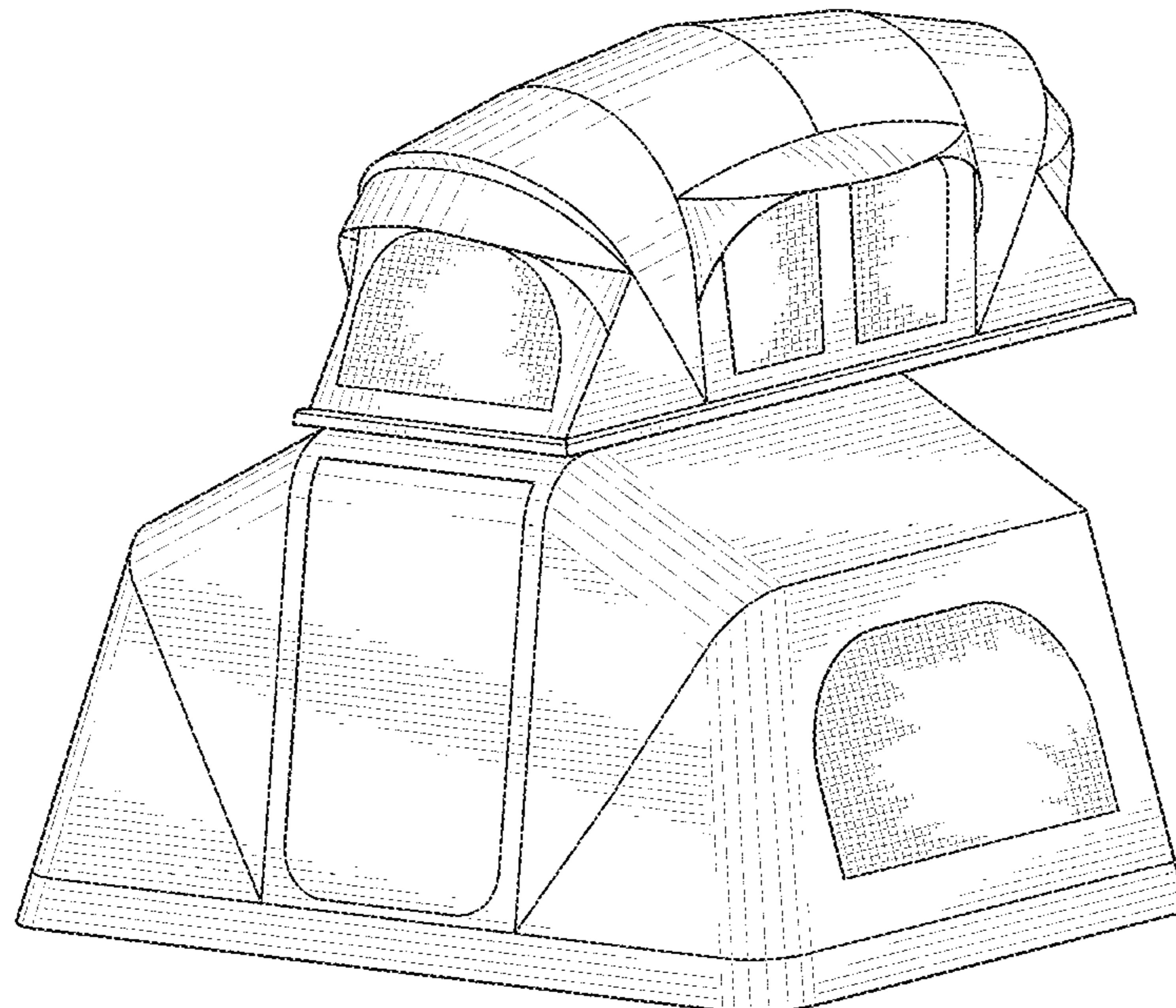
(57) **CLAIM**

The ornamental designs for an inflatable vehicle roof tent and annexe, as shown and described.

DESCRIPTION

FIG. 1 is a top, front, right side perspective view of an inflatable vehicle roof tent and annexe in accordance with our design;
FIG. 2 is a top, rear, left perspective view thereof;
FIG. 3 is a front elevation view thereof;
FIG. 4 is a rear elevation view thereof;
FIG. 5 is a left side elevation view thereof;
FIG. 6 is a right side elevation view thereof; and,
FIG. 7 is a top, front, right side perspective view of our inflatable vehicle roof tent and annexe with a door thereof in a rolled-up position.

1 Claim, 7 Drawing Sheets



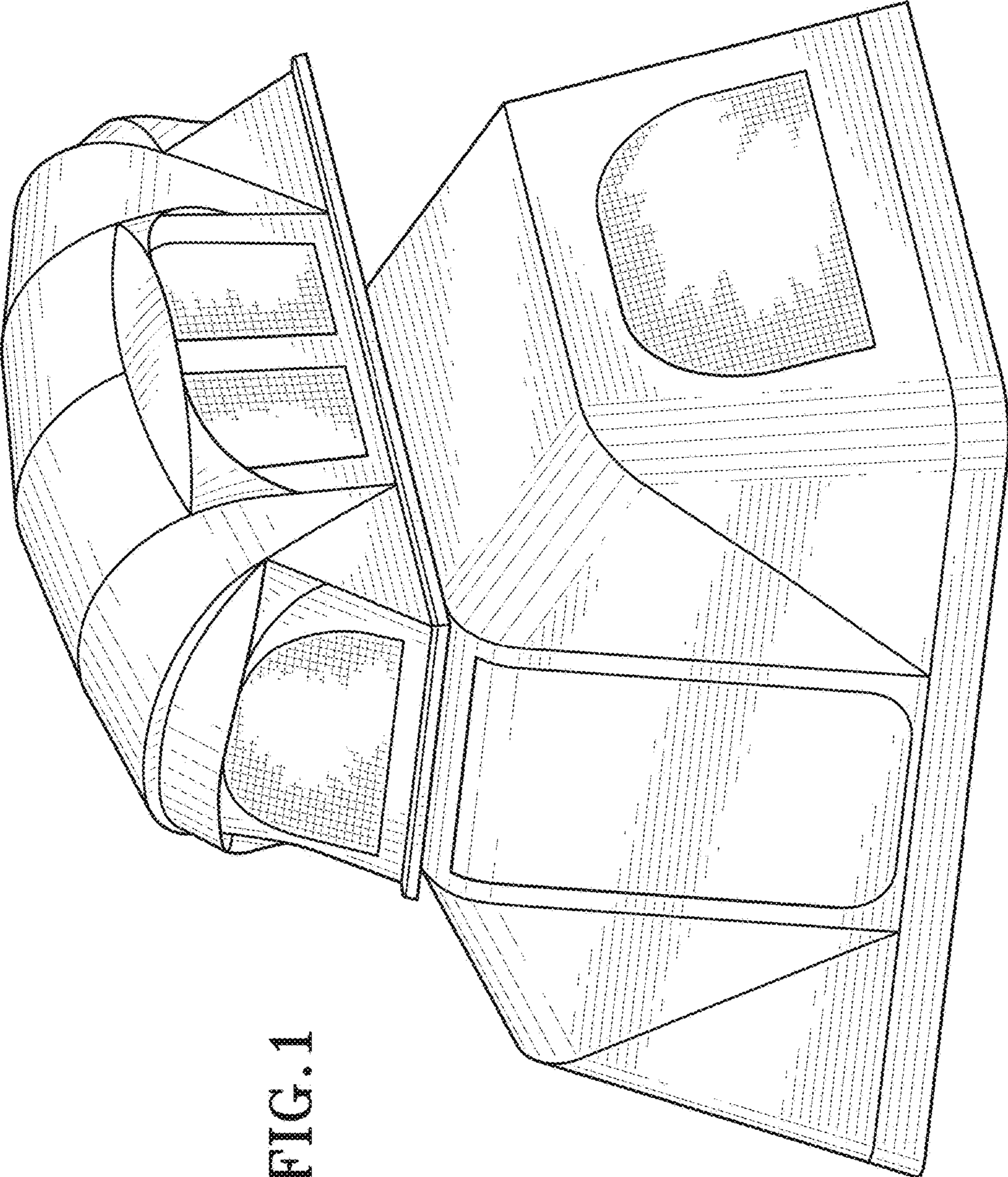
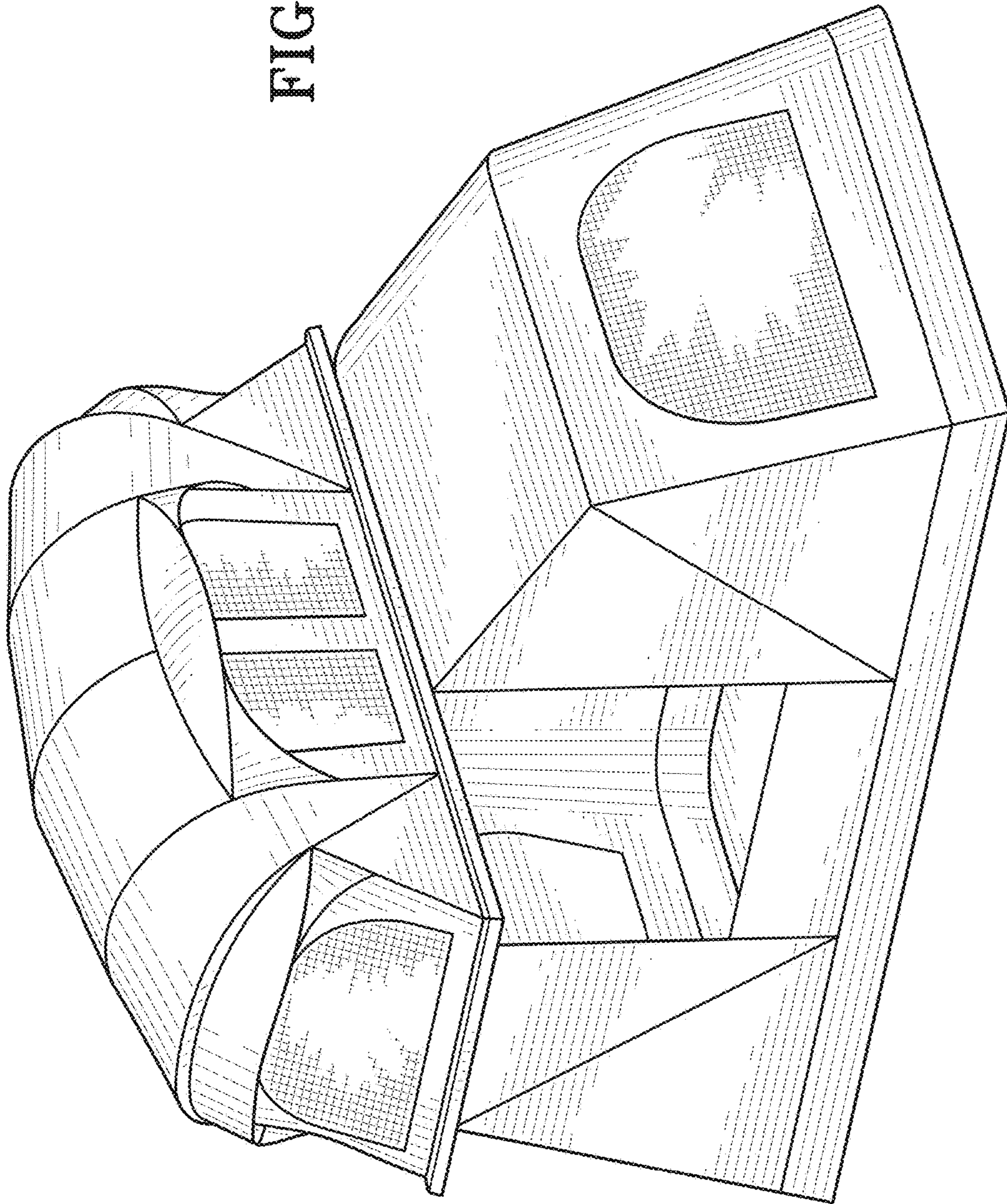


FIG. 1

FIG. 2



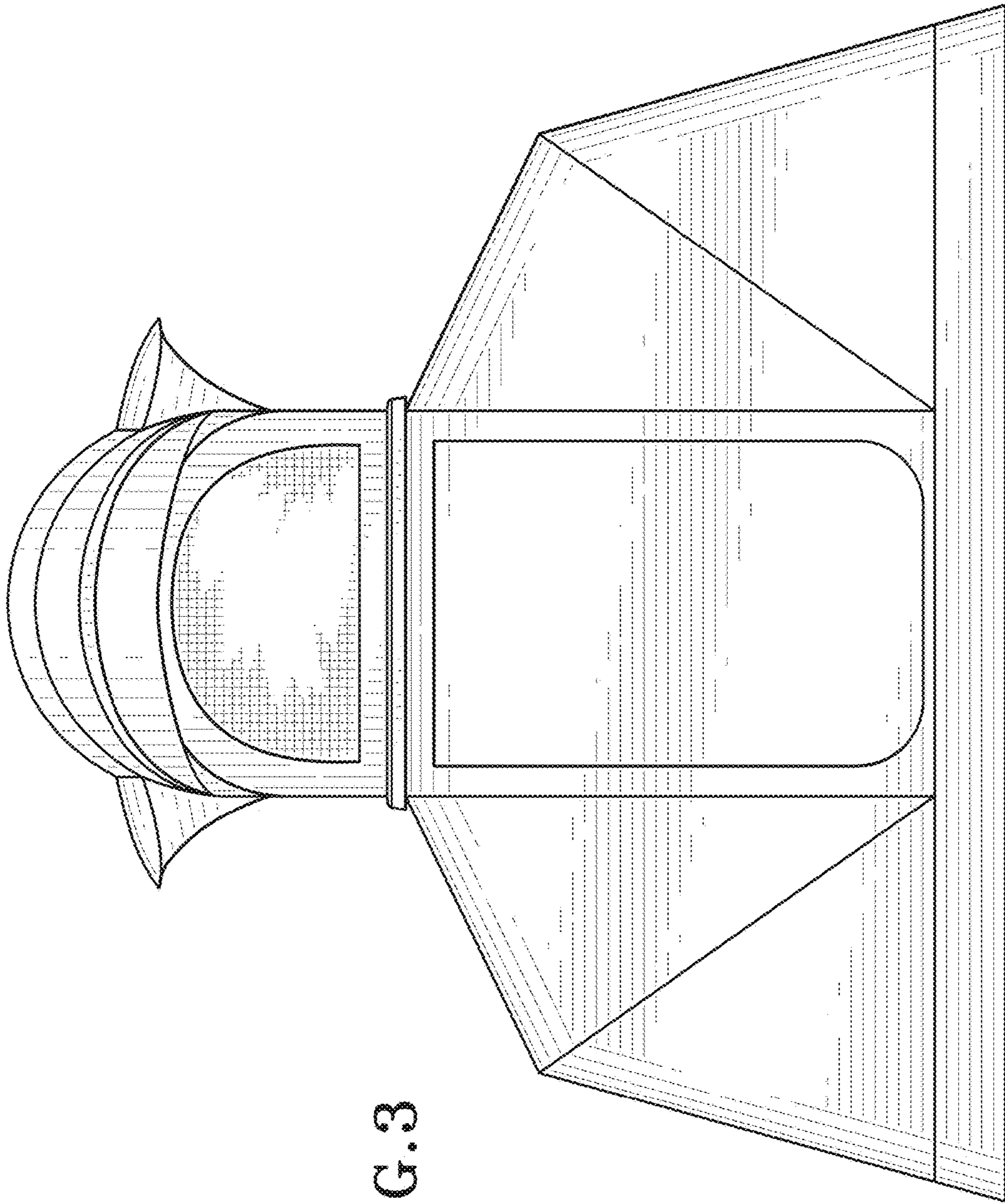


FIG. 3

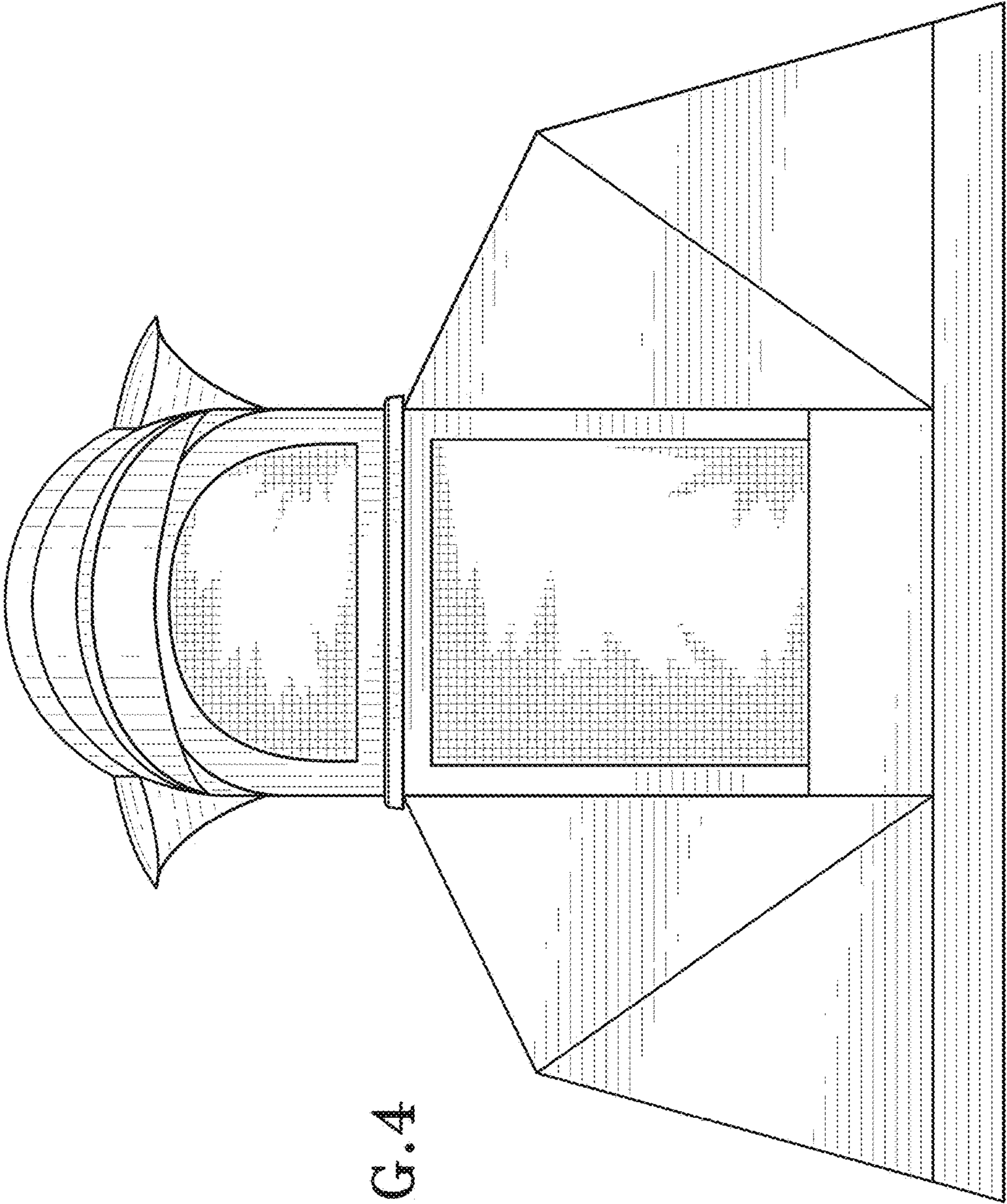


FIG. 4

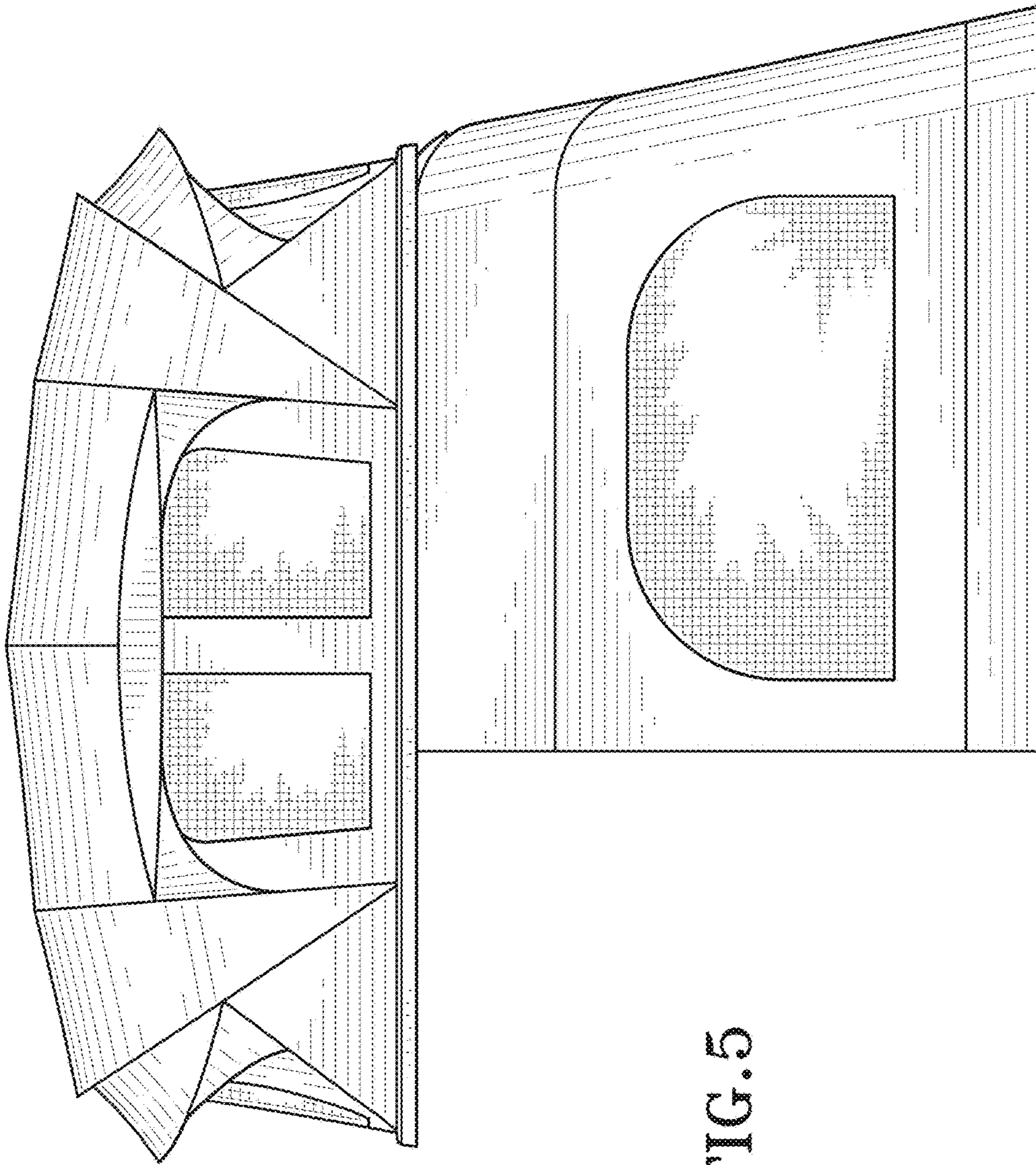


FIG. 5

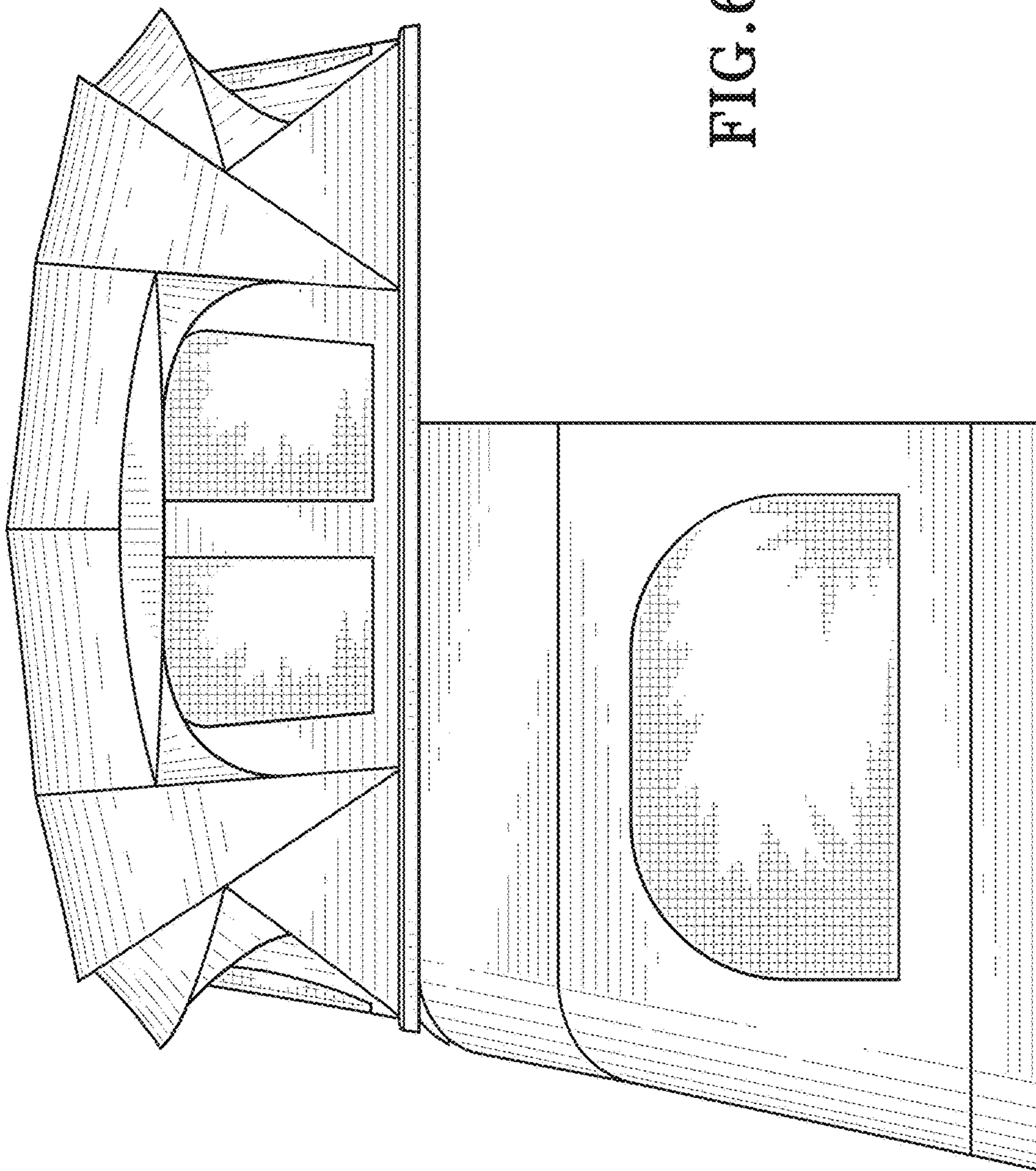


FIG. 6

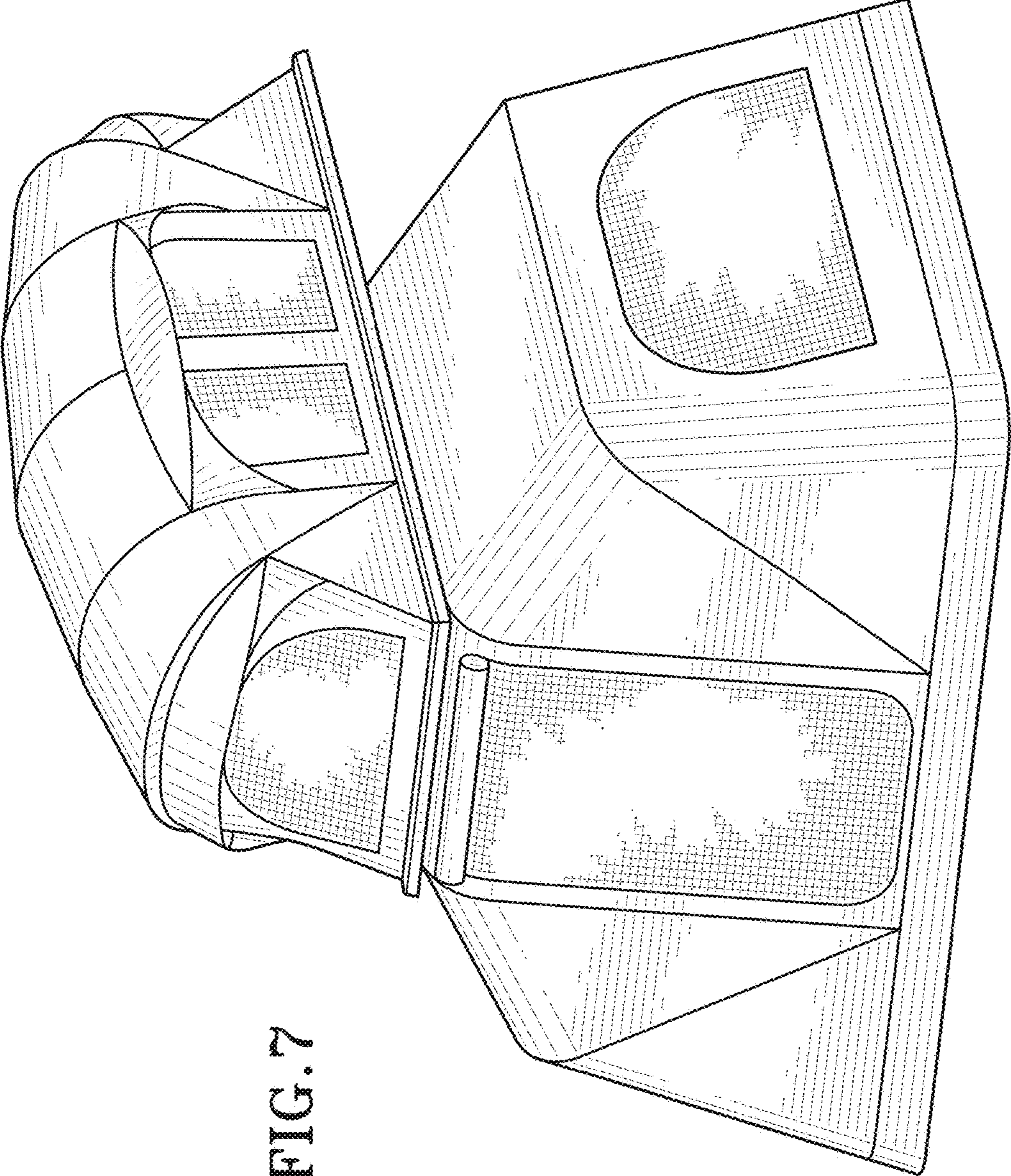


FIG. 7