



US00D836740S

(12) **United States Design Patent** (10) **Patent No.:** **US D836,740 S**
Cameron (45) **Date of Patent:** **** Dec. 25, 2018**

(54) **PORTION OF A SHAFT BAND FOR A GOLF CLUB**

(71) Applicant: **Acushnet Company**, Fairhaven, MA (US)

(72) Inventor: **Don T. Cameron**, Carlsbad, CA (US)

(73) Assignee: **Acushnet Company**, Fairhaven, MA (US)

(**) Term: **15 Years**

(21) Appl. No.: **29/605,977**

(22) Filed: **May 31, 2017**

(51) **LOC (11) Cl.** **21-02**

(52) **U.S. Cl.**
USPC **D21/753**

(58) **Field of Classification Search**
USPC D21/733-752, 753, 756, 757, 759, 789,
D21/791, 722, 725, 679-682
CPC A63B 53/10; A63B 53/12; A63B 60/00;
A63B 60/46; A63B 53/00; A63B
2053/002
See application file for complete search history.

(56) **References Cited**

U.S. PATENT DOCUMENTS

D339,621 S *	9/1993	Briden	D21/725
5,711,728 A *	1/1998	Marcelo	A63B 60/54 473/520
D432,613 S *	10/2000	Lewallen, Jr.	D21/791
D457,929 S *	5/2002	Ciesar	D21/725
D461,214 S *	8/2002	Luciano	D21/725
D480,122 S *	9/2003	Ciesar	D21/780
D483,827 S *	12/2003	Ciesar	D21/725
D498,806 S *	11/2004	Sims	D21/753

D499,159 S *	11/2004	Sims	D21/753
D504,479 S *	4/2005	Sims	D21/753
6,949,036 B2 *	9/2005	Ciesar	A63B 15/00 473/457
D629,479 S *	12/2010	Chen	D21/756
8,118,693 B2 *	2/2012	Tande	A63B 15/005 473/457
D784,467 S *	4/2017	Hess	D21/725
D808,484 S *	1/2018	Oyler	D21/791

* cited by examiner

Primary Examiner — Mitchell I. Siegel

(74) *Attorney, Agent, or Firm* — Randy K. Chang

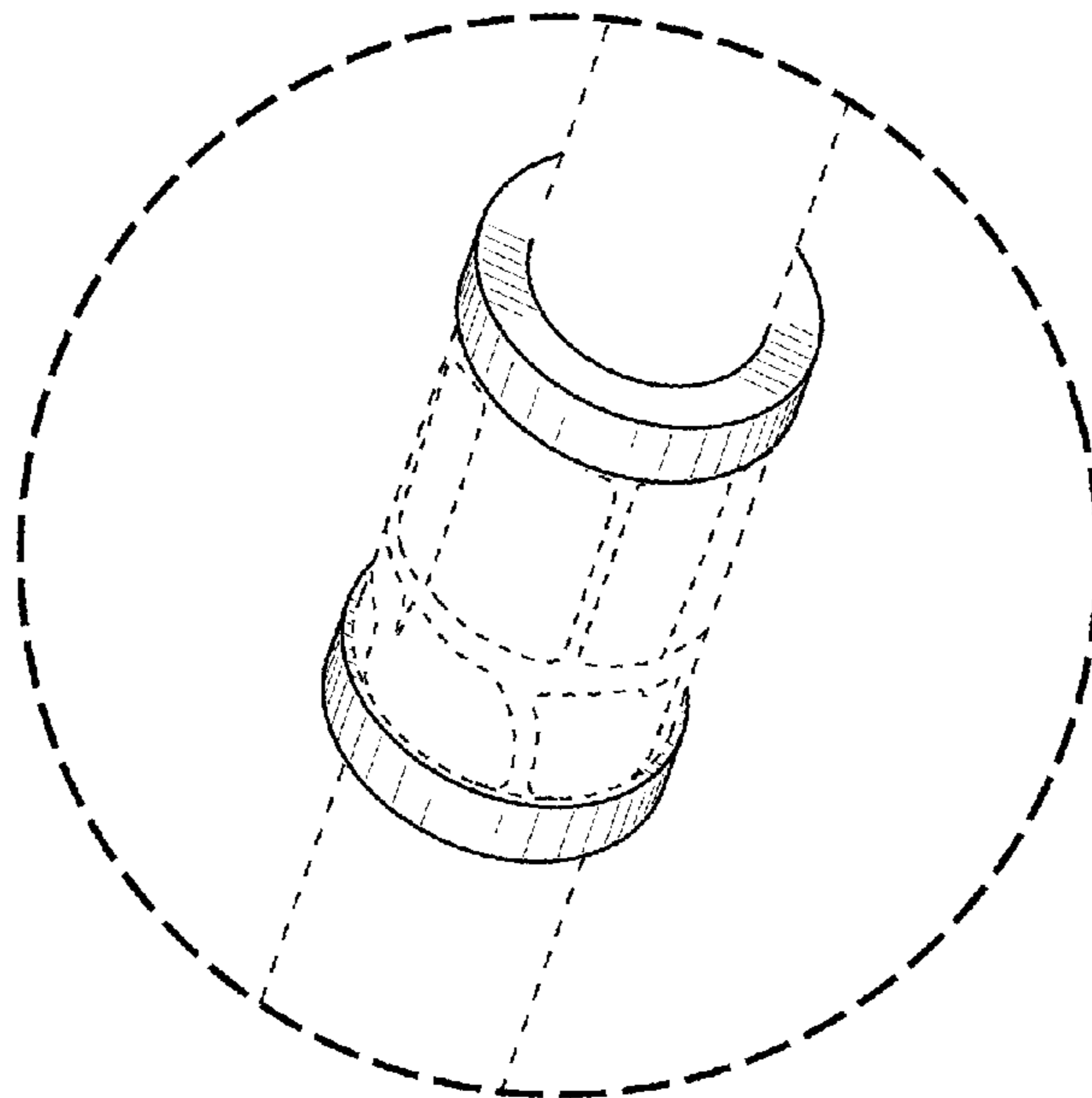
(57) **CLAIM**

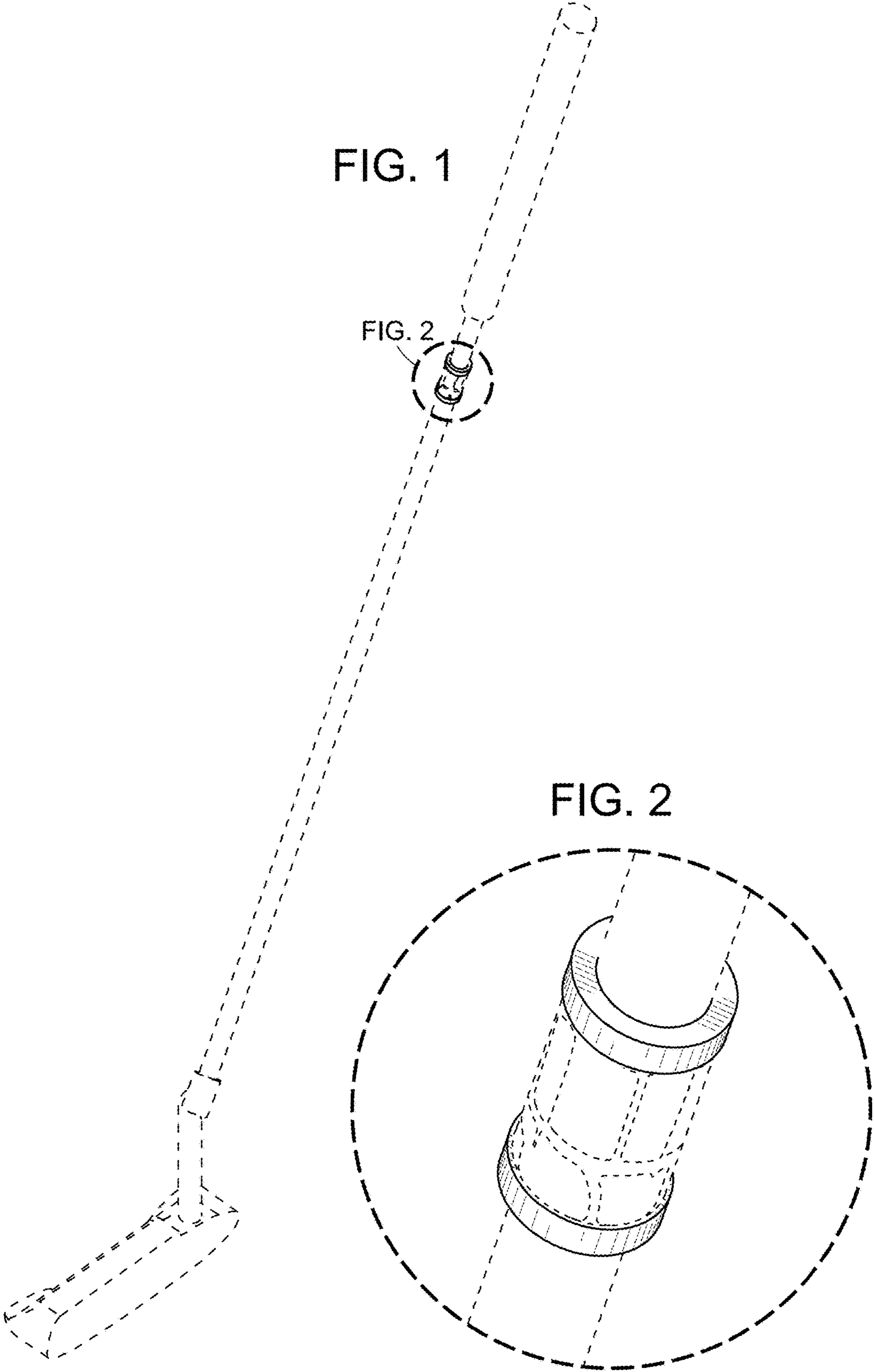
The ornamental design for portion of a shaft band for a golf club, as shown and described.

DESCRIPTION

FIG. 1 is a perspective view of my new design for a portion of a shaft band for a golf club;
FIG. 2 is an enlarged perspective view taken from circle 2 of FIG. 1;
FIG. 3 is a frontal view of FIG. 1;
FIG. 4 is an enlarged detailed frontal view taken from circle 4 of FIG. 3;
FIG. 5 is a cross-sectional view taken on line 5-5 of FIG. 4;
FIG. 6 is a back view of FIG. 1;
FIG. 7 is a right side toe view of FIG. 1;
FIG. 8 is a left side heel view of FIG. 1;
FIG. 9 is a top view of FIG. 1; and,
FIG. 10 is a bottom view of FIG. 1.
The broken line showing of unclaimed shaft and club head is included for the purpose of illustrating environment and forms no part of the claimed design.

1 Claim, 6 Drawing Sheets





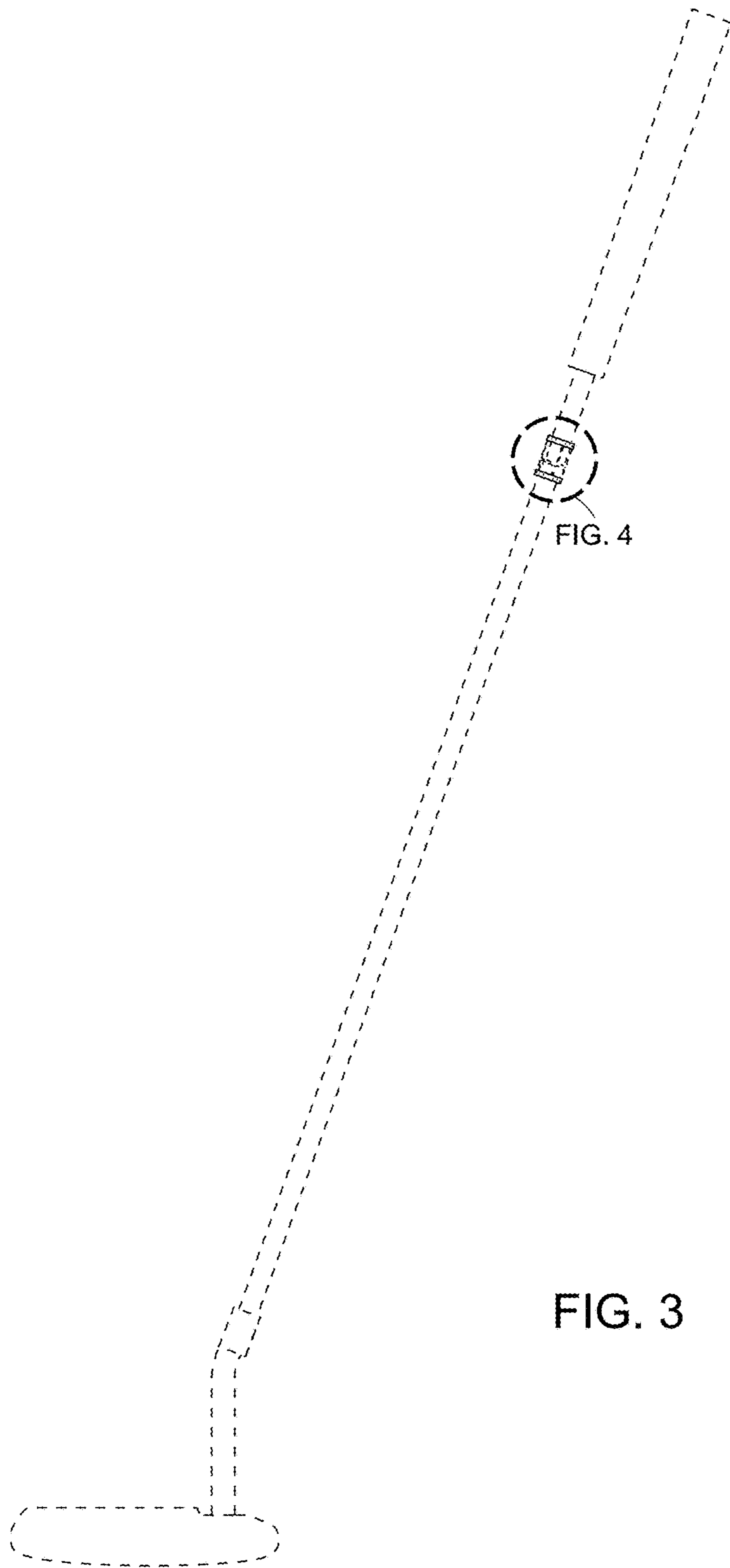


FIG. 3

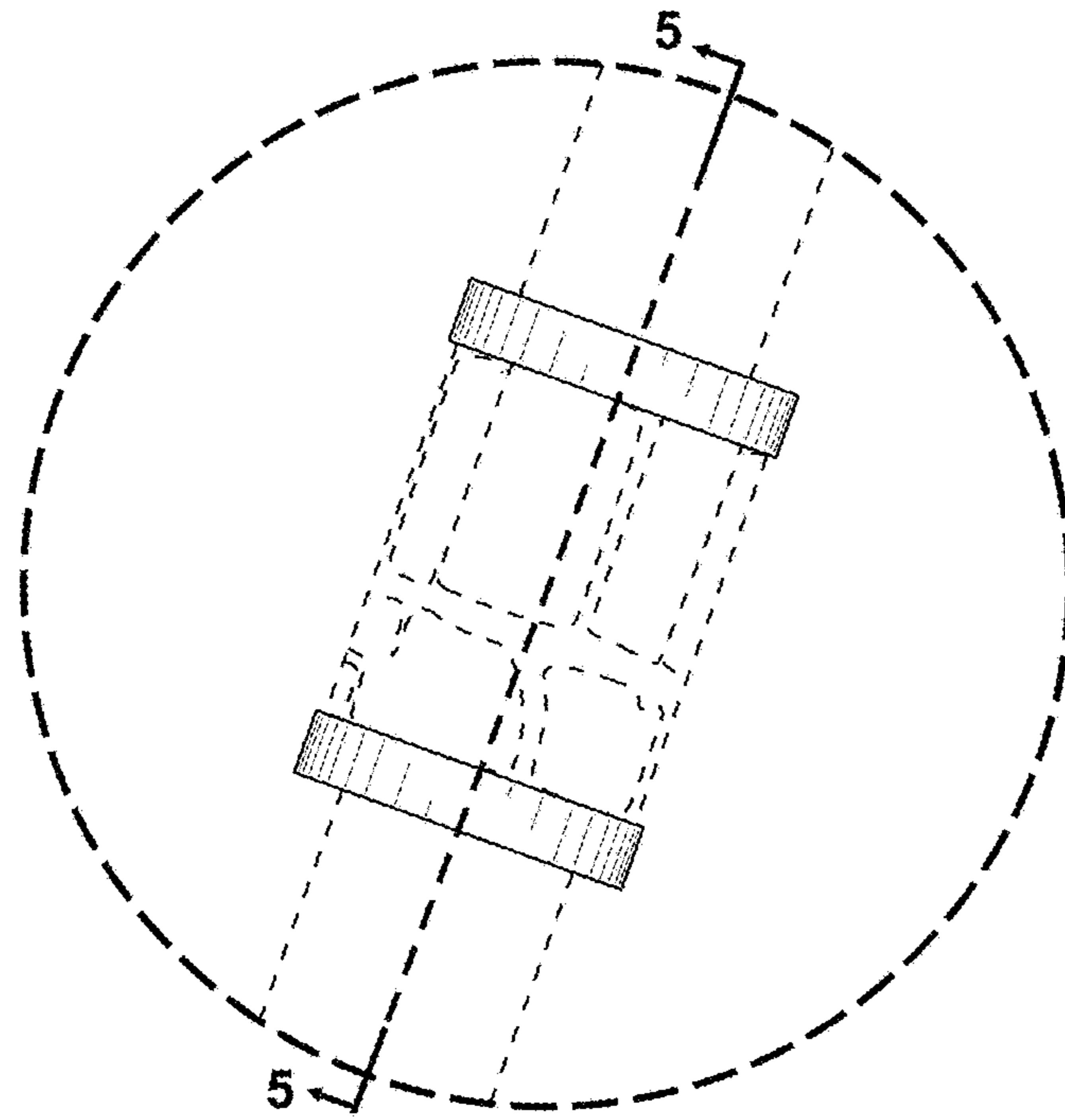


FIG. 4

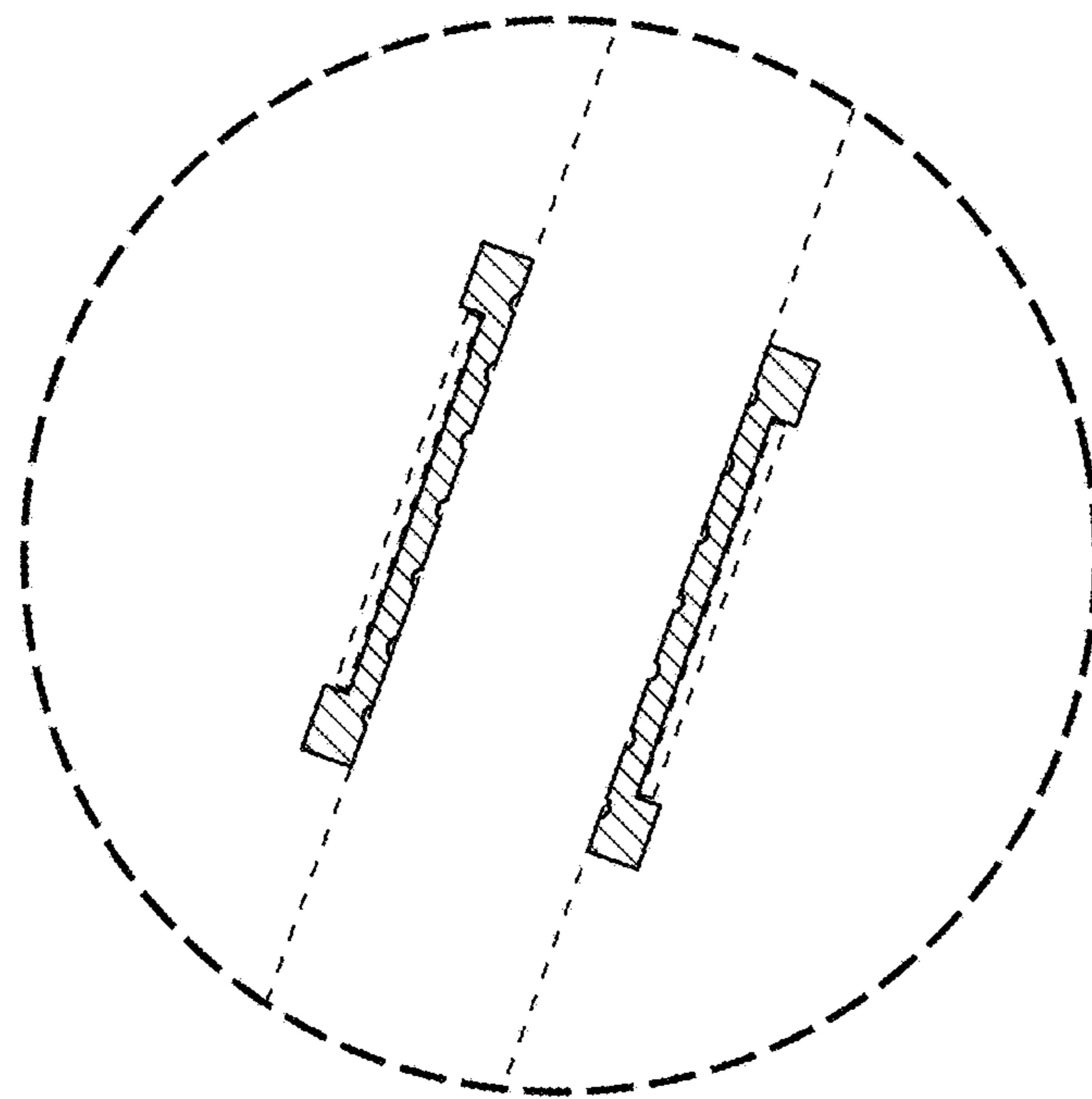


FIG. 5

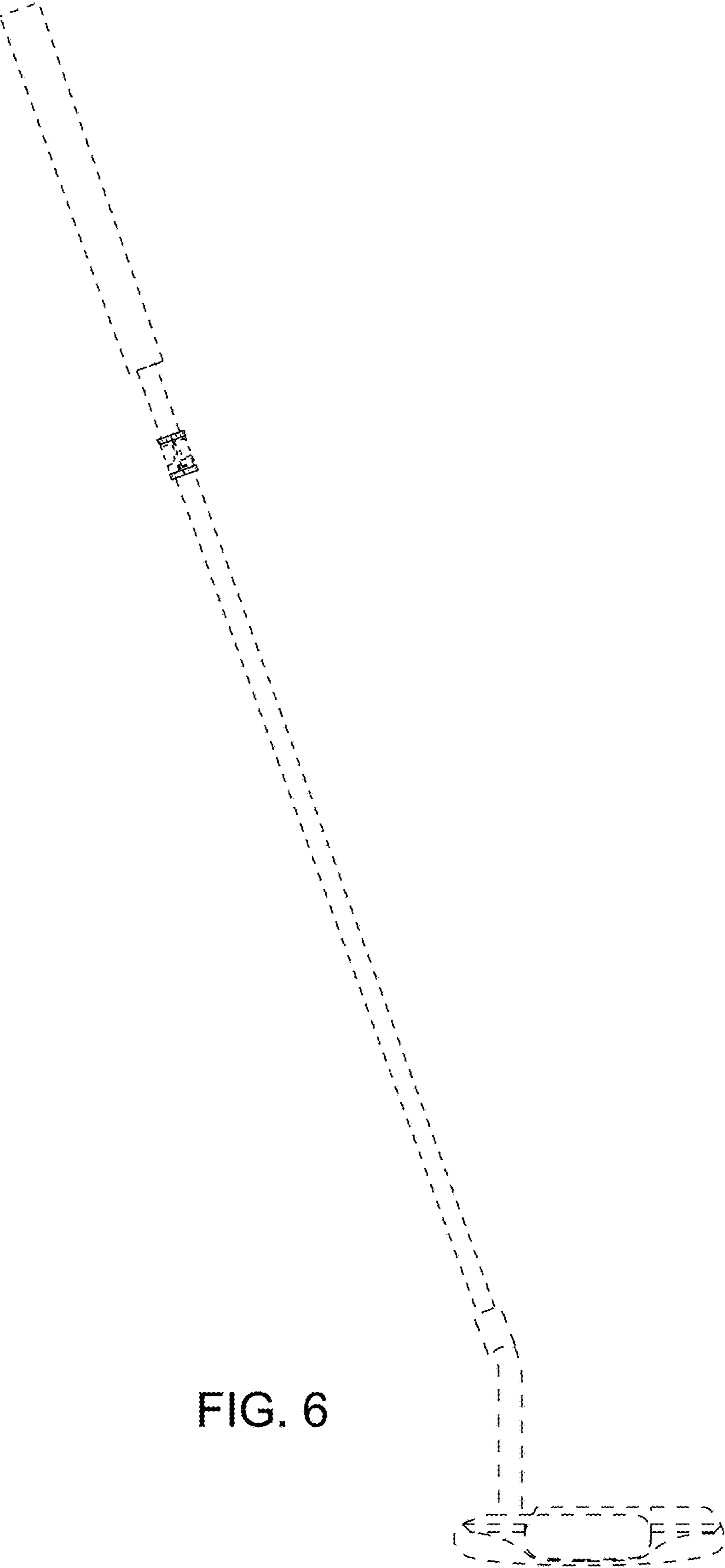


FIG. 6

FIG. 7

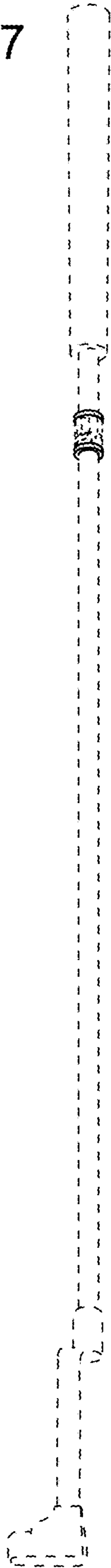
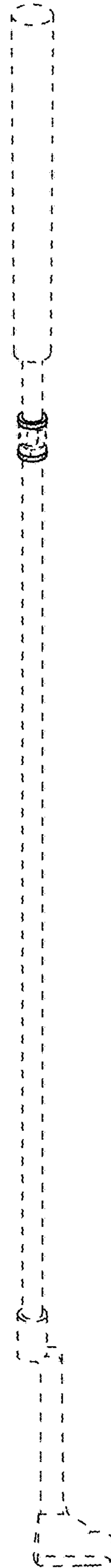


FIG. 8



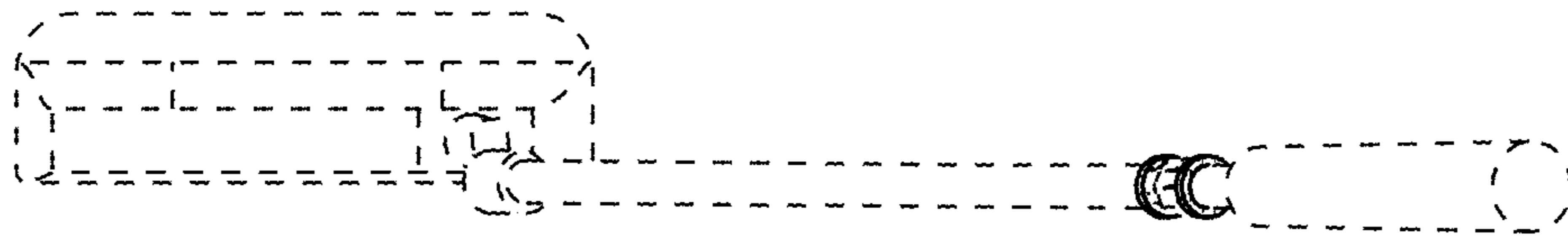


FIG. 9

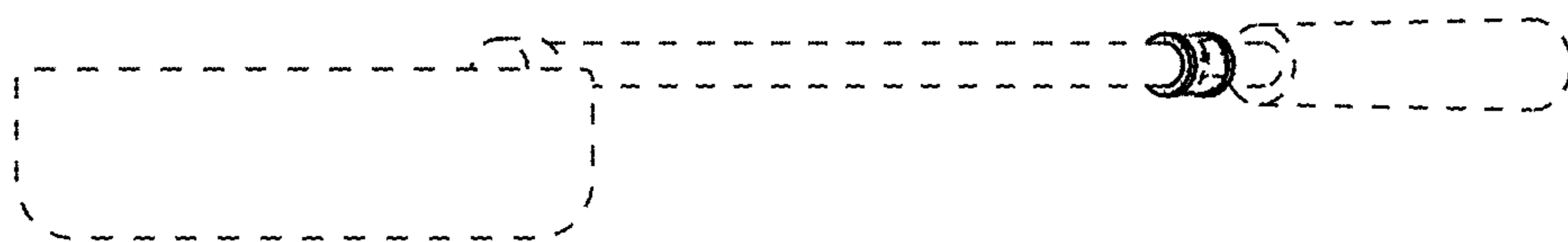


FIG. 10