



US00D836736S

(12) **United States Design Patent** (10) **Patent No.:** **US D836,736 S**
Kowalke et al. (45) **Date of Patent:** **** Dec. 25, 2018**

(54) **TABLE TENNIS PADDLE**

FOREIGN PATENT DOCUMENTS

(71) Applicant: **coconut LLC**, Madison, WI (US)
(72) Inventors: **Thomas F. Kowalke**, Verona, WI (US);
Alexander J. Evans, Madison, WI (US)

CN 2348879 Y 11/1999
CN 2626549 Y 7/2004
(Continued)

(73) Assignee: **coconut LLC**, Madison, WI (US)

OTHER PUBLICATIONS

(**) Term: **15 Years**

Printout dated Jan. 2, 2014, from <http://www.pistolpaddle.com/>,
“Pistol Paddle—Never Stop Playing.”, 3 pages.

(21) Appl. No.: **29/616,424**

(Continued)

(22) Filed: **Sep. 6, 2017**

Primary Examiner — Mitchell I. Siegel
(74) *Attorney, Agent, or Firm* — Boardman & Clark LLP

Related U.S. Application Data

(63) Continuation-in-part of application No. 14/176,942,
filed on Feb. 10, 2014.

(57) **CLAIM**

(51) **LOC (11) Cl.** **21-02**

The ornamental design for a table tennis paddle, as shown
and described herein.

(52) **U.S. Cl.**

USPC **D21/729**

(58) **Field of Classification Search**

USPC D21/729–732

See application file for complete search history.

DESCRIPTION

(56) **References Cited**

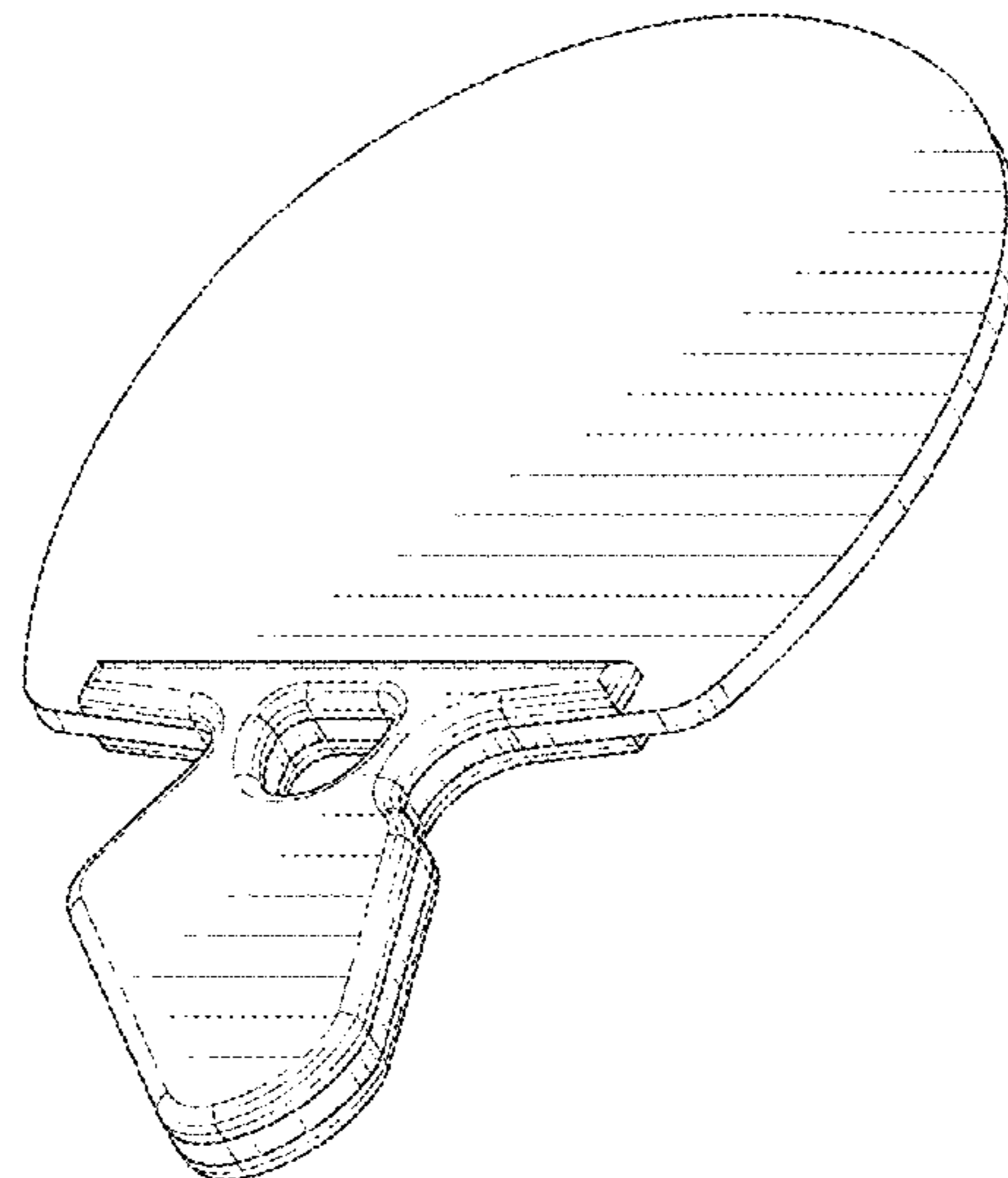
U.S. PATENT DOCUMENTS

717,504	A	12/1902	Longfellow	
D164,883	S *	10/1951	Schmid	D21/731
D168,192	S *	11/1952	Schmid	D21/731
D191,405	S *	9/1961	Wagner	D21/731
3,239,224	A *	3/1966	Finn	A63B 49/08 473/526
3,674,268	A *	7/1972	Shellman, Sr.	A63B 59/40 473/526
D249,733	S *	9/1978	Zabaldo	D21/731
D252,888	S *	9/1979	Jones	D21/731
D255,137	S *	5/1980	Bowen	473/527
4,360,201	A *	11/1982	Biehl	A63B 49/02 473/526

FIG. 1 is a perspective view of a design of a table tennis paddle.
FIG. 2 is a first elevation view of the table tennis paddle of FIG. 1.
FIG. 3 is a second elevation view of the table tennis paddle of FIG. 1.
FIG. 4 is a first side elevation view of the table tennis paddle of FIG. 1.
FIG. 5 is a second side elevation view of the table tennis paddle of FIG. 1.
FIG. 6 is a top end elevation view of the table tennis paddle of FIG. 1; and,
FIG. 7 is a bottom end elevation view of the table tennis paddle of FIG. 1.
The broken lines shown are for illustrative purposes only and form no part of the claimed design.

(Continued)

1 Claim, 7 Drawing Sheets



(56)

References Cited

U.S. PATENT DOCUMENTS

D279,496 S * 7/1985 Gibello D21/730
 D291,222 S * 8/1987 Kiraly D21/730
 4,721,305 A 1/1988 Cudlip
 4,759,546 A 7/1988 Steele
 D307,930 S * 5/1990 Sokol D21/731
 D315,586 S * 3/1991 Edelstein D21/732
 D316,125 S * 4/1991 Poulakis D21/731
 D316,126 S * 4/1991 Poulakis D21/731
 D344,314 S * 2/1994 Malkoun D21/731
 D359,328 S * 6/1995 Nida D21/732
 D363,099 S * 10/1995 Cudlip D21/730
 D364,432 S * 11/1995 Cudlip D21/729
 6,083,125 A 7/2000 West
 D501,521 S * 2/2005 Reynolds D21/731
 6,969,329 B2 * 11/2005 Popovich A63B 60/34
 473/527
 D591,805 S * 5/2009 Harms D21/729
 D620,061 S * 7/2010 Morrison D21/731
 D678,440 S * 3/2013 Williams D21/731
 8,894,516 B2 11/2014 Tillery

2003/0145804 A1 8/2003 Vaccari
 2010/0317468 A1 12/2010 Tang
 2015/0224377 A1 8/2015 Kowalke

FOREIGN PATENT DOCUMENTS

CN 200995042 Y 12/2007
 DE 2610872 A1 9/1977
 DE 3239076 A1 4/1984
 DE 3516700 A1 11/1985
 DE 3929972 A1 3/1991
 DE 4006390 A1 9/1991
 FR 2407725 A1 6/1979
 WO WO 91/16545 12/1991
 WO WO 93/00969 1/1993
 WO WO 2012/106988 8/2012

OTHER PUBLICATIONS

International Search Report and Written Opinion of the International Search Authority dated Apr. 2, 2015, for Int'l. Appln. No. PCT/US2015/011234 filed Jan. 13, 2015.

* cited by examiner

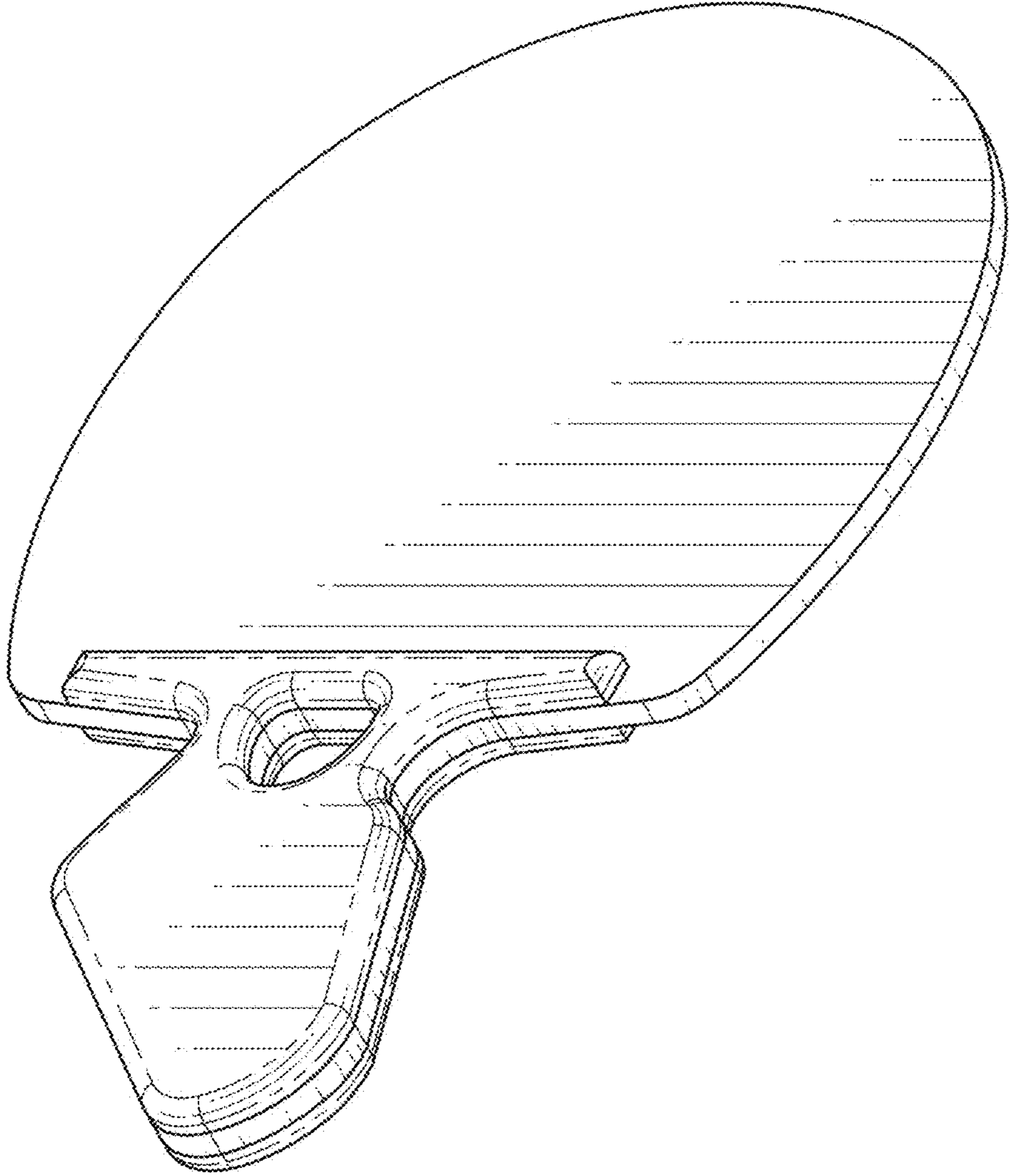


FIG. 1

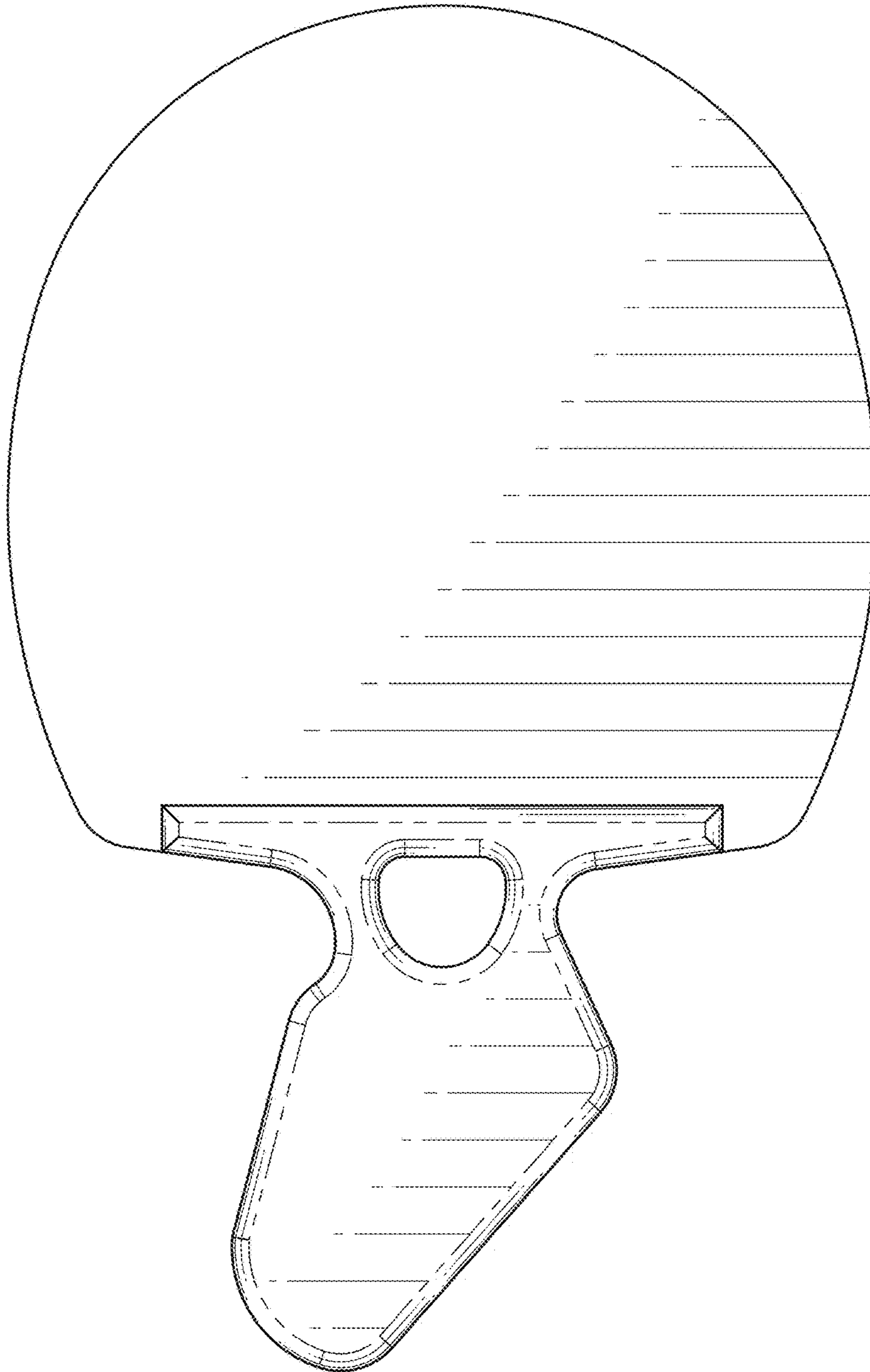


FIG. 2

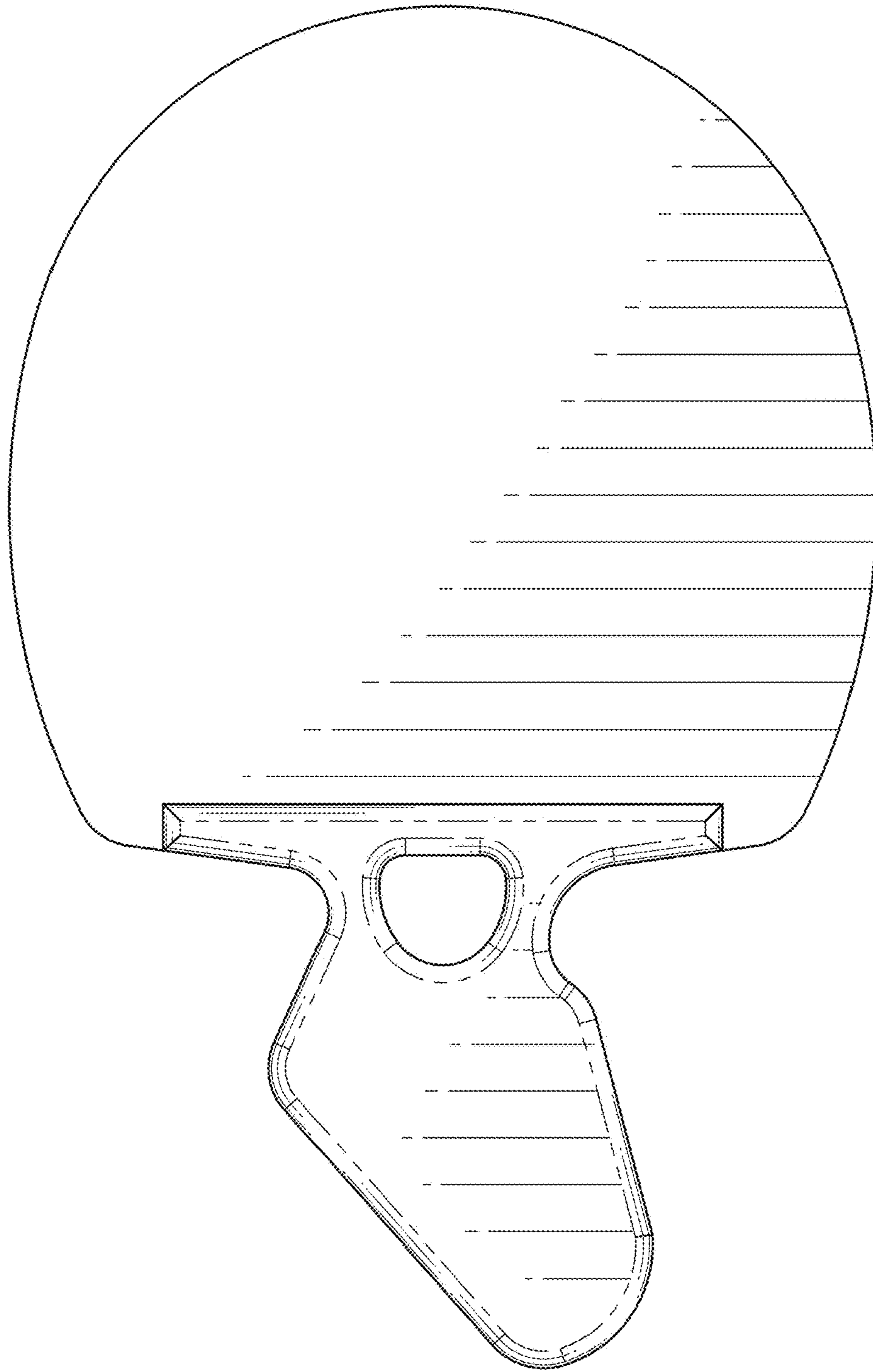


FIG. 3

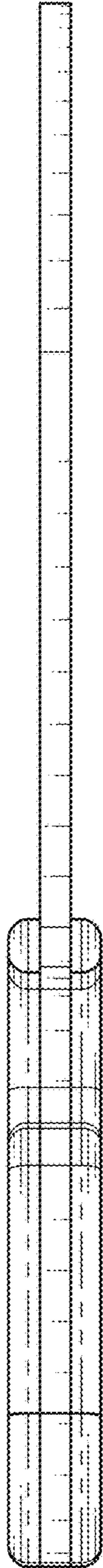


FIG. 4

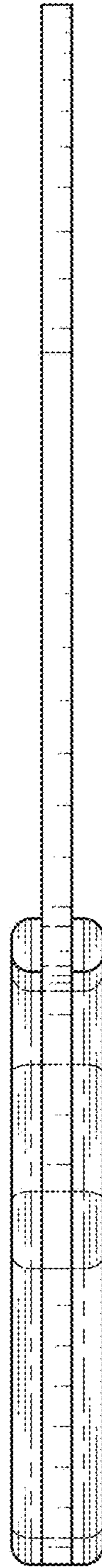


FIG. 5

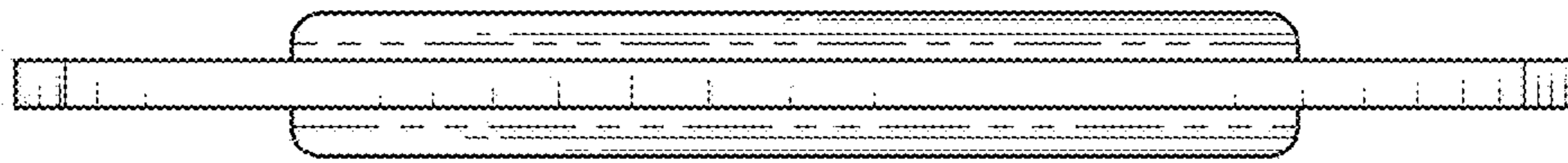


FIG. 6



FIG. 7