



US00D836733S

(12) **United States Design Patent** (10) **Patent No.:** **US D836,733 S**
Curbbun et al. (45) **Date of Patent:** **** Dec. 25, 2018**

(54) **EXERCISE BICYCLE TRAINER**
(71) Applicant: **Hoist Fitness Systems, Inc.**, Poway, CA (US)
(72) Inventors: **Charles Curbbun**, Encinitas, CA (US); **Matthew Kranz**, Encinitas, CA (US)
(73) Assignee: **HOIST FITNESS SYSTEMS, INC.**, Poway, CA (US)
(**) Term: **15 Years**
(21) Appl. No.: **29/558,983**
(22) Filed: **Mar. 23, 2016**
(51) **LOC (11) Cl.** **21-02**
(52) **U.S. Cl.**
USPC **D21/667**
(58) **Field of Classification Search**
USPC D21/662, 668, 669, 670, 671, 667
CPC A63B 24/0062; A63B 24/0087; A63B 24/0075; A63B 22/0605; A63B 2024/0065; A63B 21/225; A63B 21/4034; A63B 21/4035; A63B 2220/12; A63B 22/02; A63B 22/0664; A63B 71/0622; A63B 2024/0068; A63B 2024/0093
See application file for complete search history.

D515,152 S * 2/2006 Corbalis D21/666
D521,085 S * 5/2006 Kuo D21/666
D524,384 S * 7/2006 Nagano D21/663
D579,989 S * 11/2008 Bingham, Jr. D21/667
(Continued)

OTHER PUBLICATIONS

Revmaster Pro Cycling Bike, [online], [site visited Sep. 11, 2017]. Available from Internet, URL:http://www.hoistfitness.com/lemond/equipment/revmaster-pro_cycling-bike.*

Primary Examiner — Caron D Veynar
Assistant Examiner — Katrina N Gonzalez
(74) *Attorney, Agent, or Firm* — Gordon Rees Scully Mansukhani LLP; David R. Heckadon

(57) **CLAIM**

The ornamental design for the exercise bicycle trainer, as shown and described.

DESCRIPTION

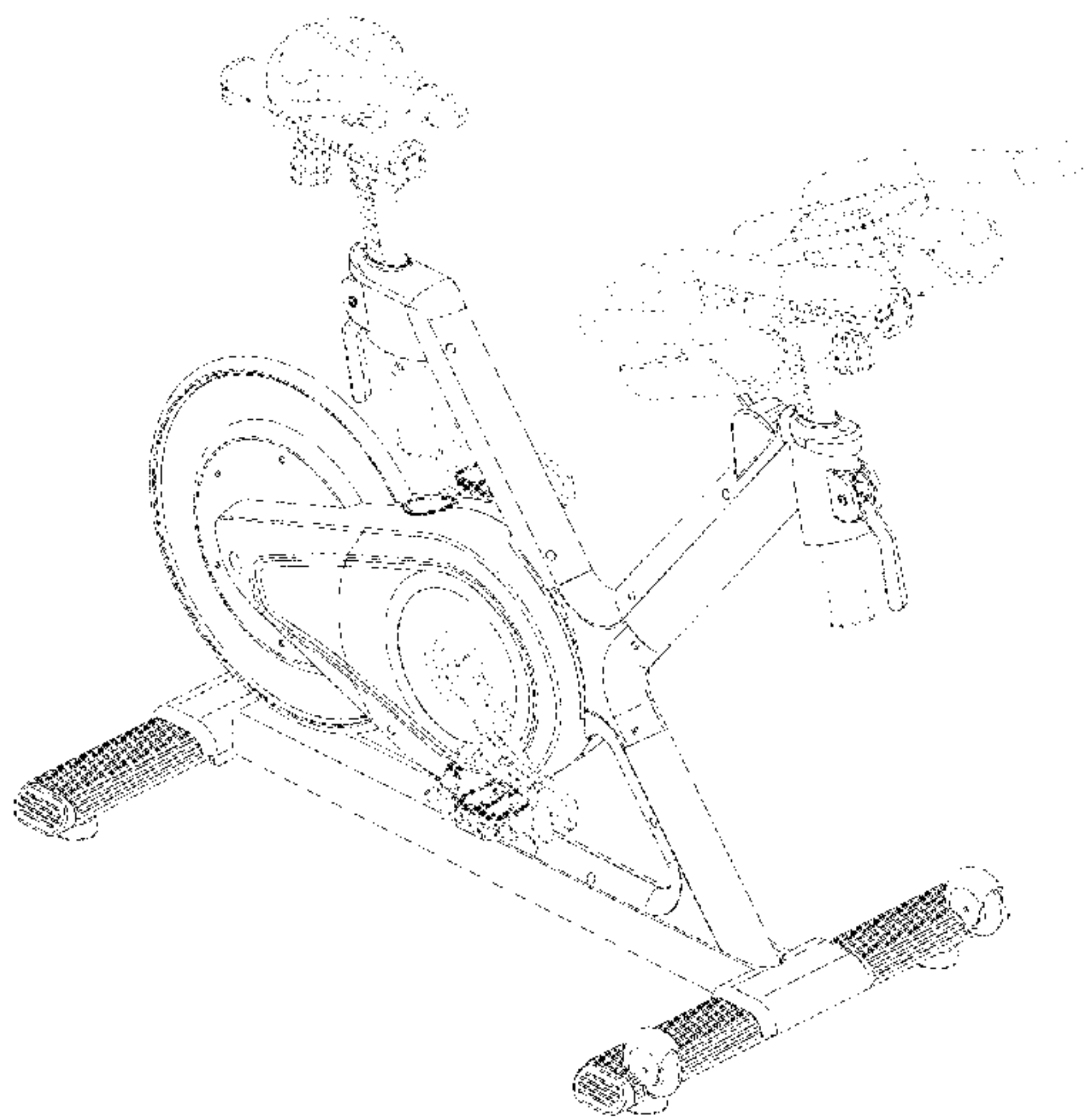
FIG. 1 is an isometric, right-front view of an exercise bicycle trainer;
FIG. 2 is an isometric, right-rear view of an exercise bicycle trainer;
FIG. 3 is an isometric, left-front view of an exercise bicycle trainer;
FIG. 4 is an isometric, left-rear view of an exercise bicycle trainer;
FIG. 5 is a front side view of an exercise bicycle trainer;
FIG. 6 is a rear side view of an exercise bicycle trainer;
FIG. 7 is a left side view of an exercise bicycle trainer;
FIG. 8 is a right side view of an exercise bicycle trainer;
FIG. 9 is a top side view of an exercise bicycle trainer; and,
FIG. 10 is a bottom side view of an exercise bicycle trainer. The broken lines are shown for the purpose of illustrating parts of the exercise bicycle trainer that form no part of the claimed design.

(56) **References Cited**

U.S. PATENT DOCUMENTS

D316,887 S * 5/1991 Lo D21/666
D319,675 S * 9/1991 Byrd D21/665
D320,826 S * 10/1991 Hildebrandt D21/666
D330,236 S * 10/1992 Jarriel D21/665
D372,060 S * 7/1996 Wang D21/666
D461,210 S * 8/2002 Fon D21/666
D473,602 S * 4/2003 Baudhuin D21/667
D482,416 S * 11/2003 Yang D21/663
D483,821 S * 12/2003 Yang D12/112
6,669,603 B1 * 12/2003 Forcillo A63B 21/015
482/51

1 Claim, 10 Drawing Sheets



(56)

References Cited

U.S. PATENT DOCUMENTS

D586,409	S	*	2/2009	Keiser	D21/667
D599,863	S	*	9/2009	Quijada	D21/665
D616,050	S	*	5/2010	Lull	D21/667
D624,612	S	*	9/2010	Watt	D21/667
D625,370	S	*	10/2010	Huber	D21/662
D625,762	S	*	10/2010	Fon	D21/667
D636,449	S	*	4/2011	Wu	D21/667
D649,204	S	*	11/2011	Zhang	D21/667
D667,513	S	*	9/2012	Lee	D15/199
D675,687	S	*	2/2013	Fischer	D21/663
D676,508	S	*	2/2013	Wu	D21/667
D682,371	S	*	5/2013	Baudhuin	D21/667
D699,795	S	*	2/2014	Rauwerdink	D21/665
D699,796	S	*	2/2014	Flick	D21/665
D709,566	S	*	7/2014	Baudhuin	D21/667
D717,889	S	*	11/2014	Alessandri	D21/663
2006/0201522	A1	*	9/2006	Sato	A61B 17/1322 128/898

* cited by examiner

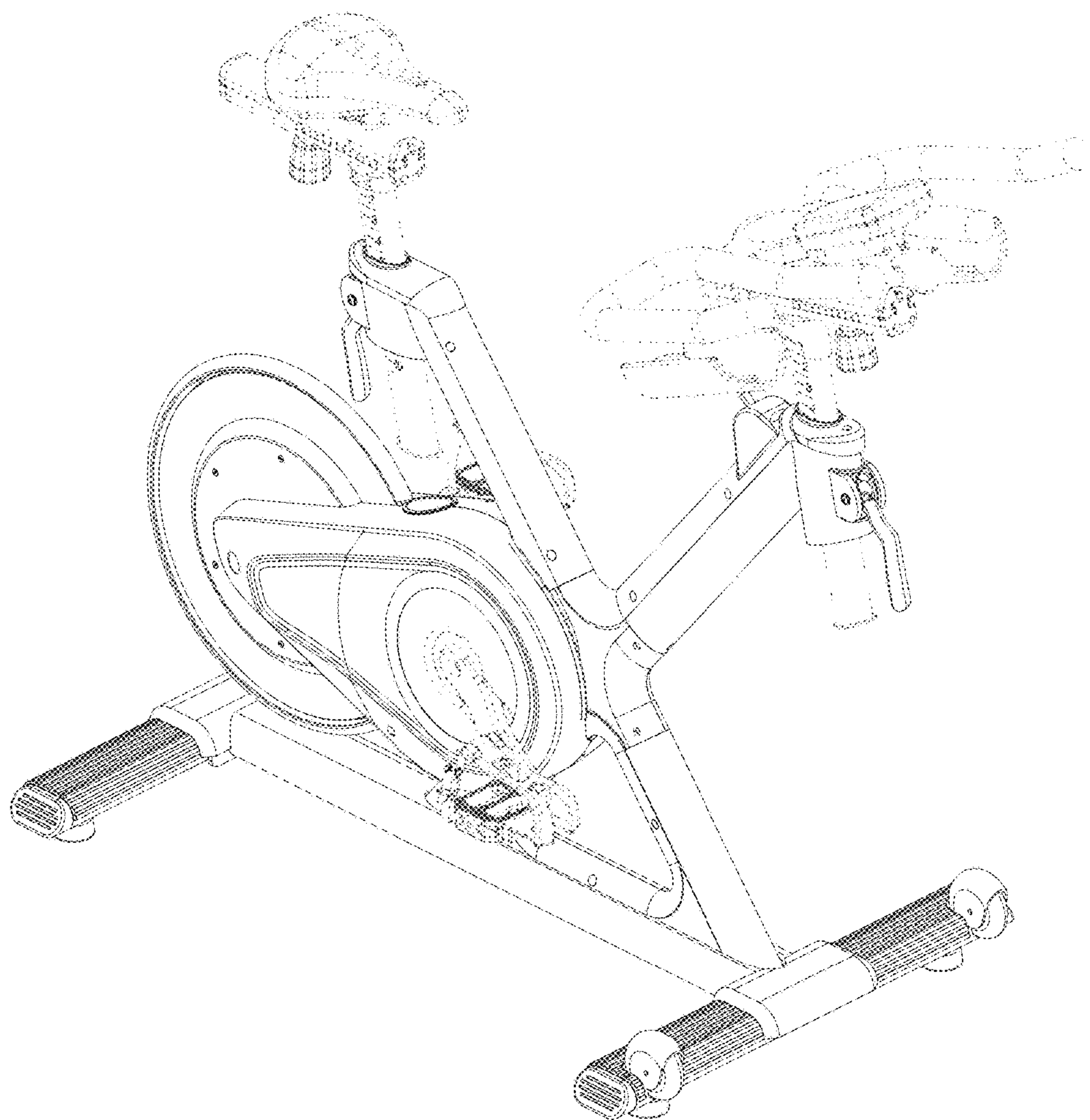


FIG. 1

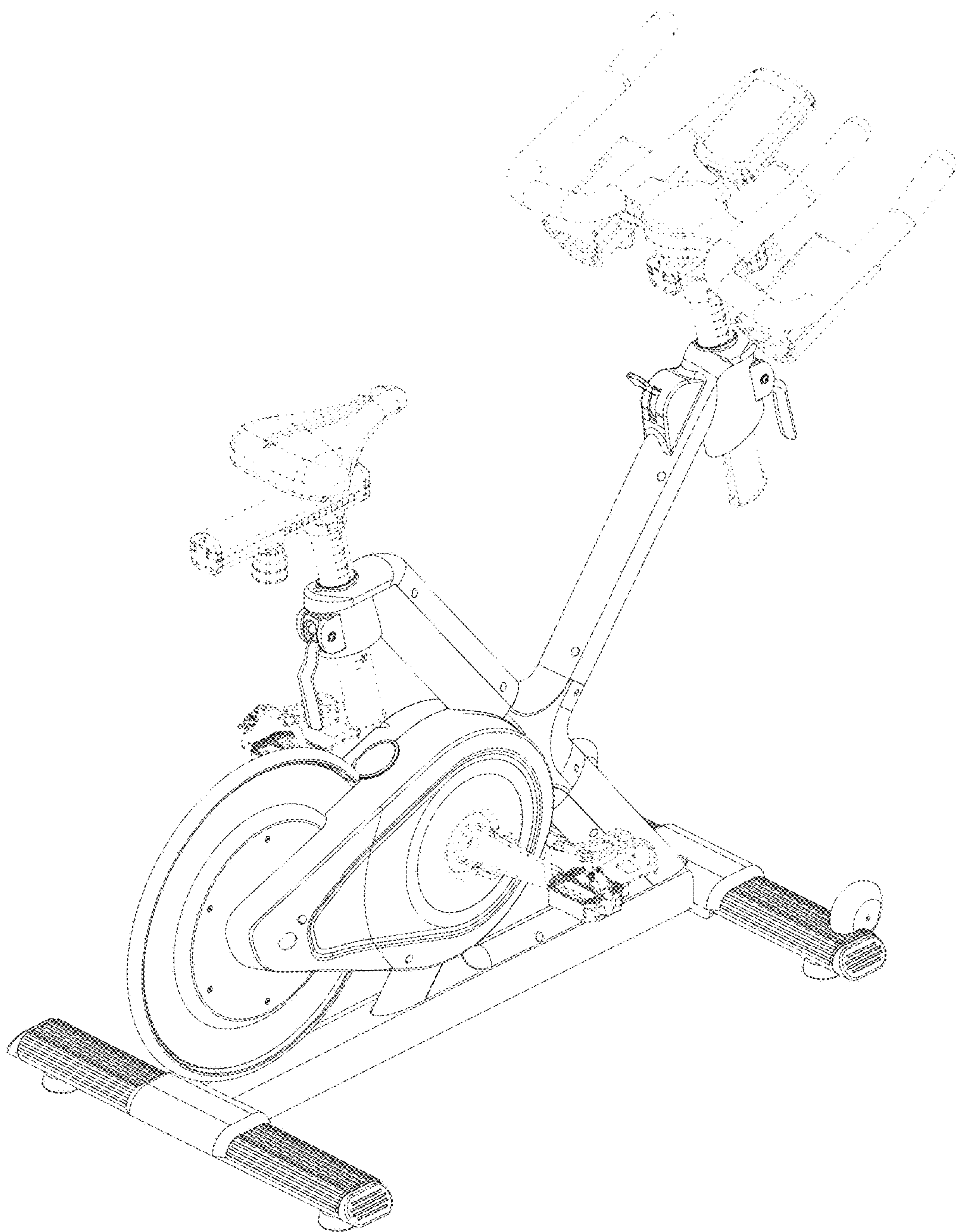


FIG. 2

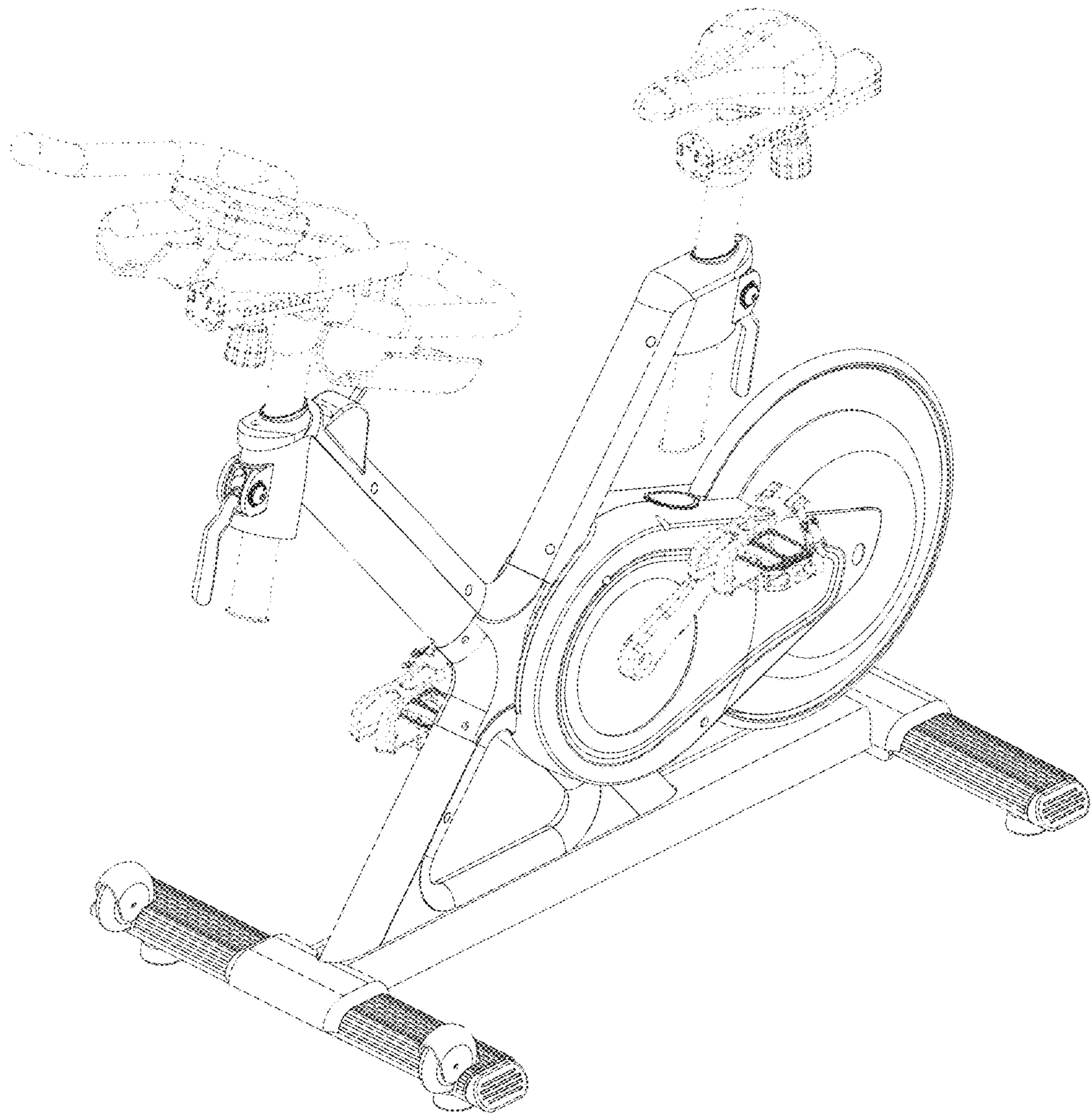


FIG. 3

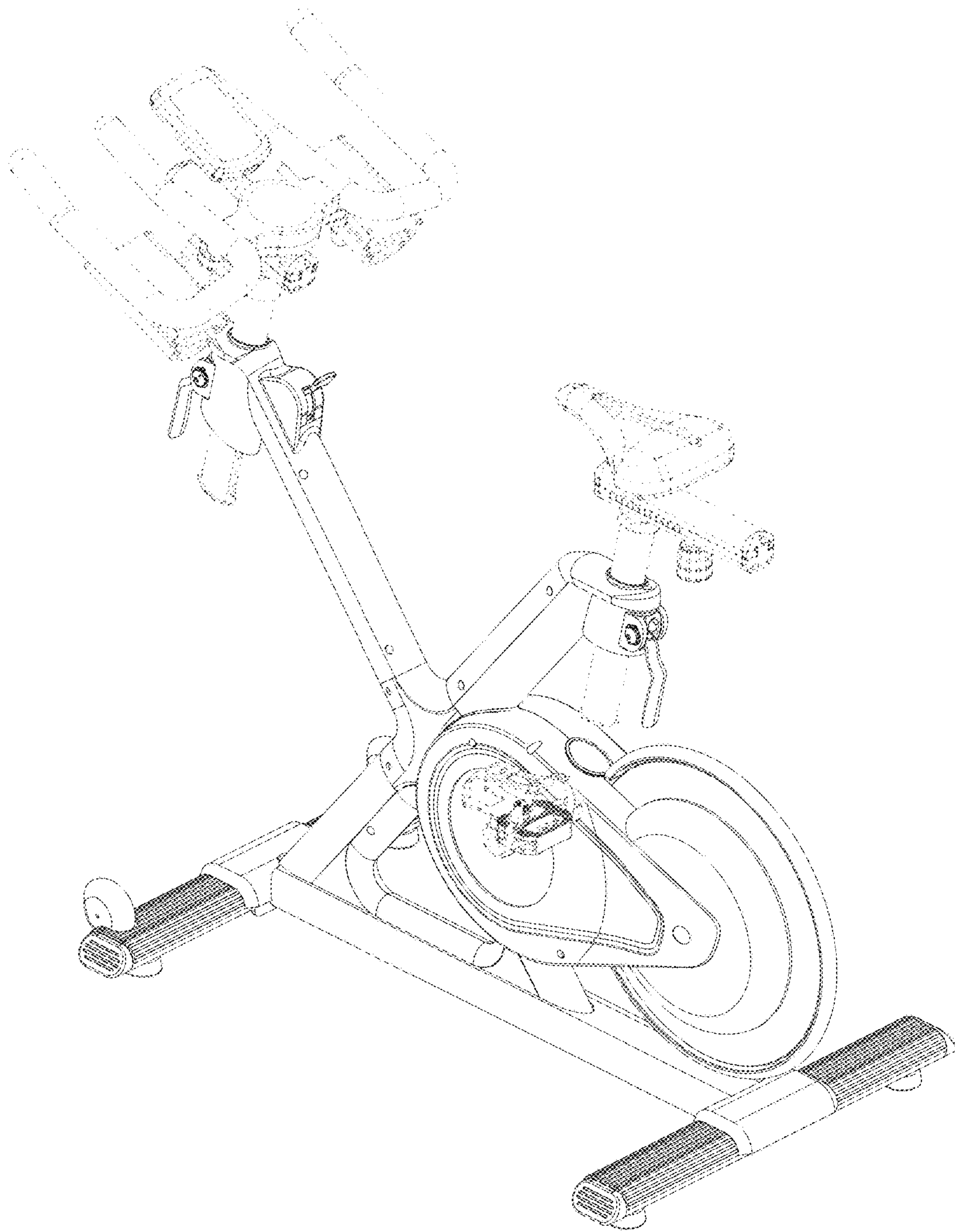


FIG. 4

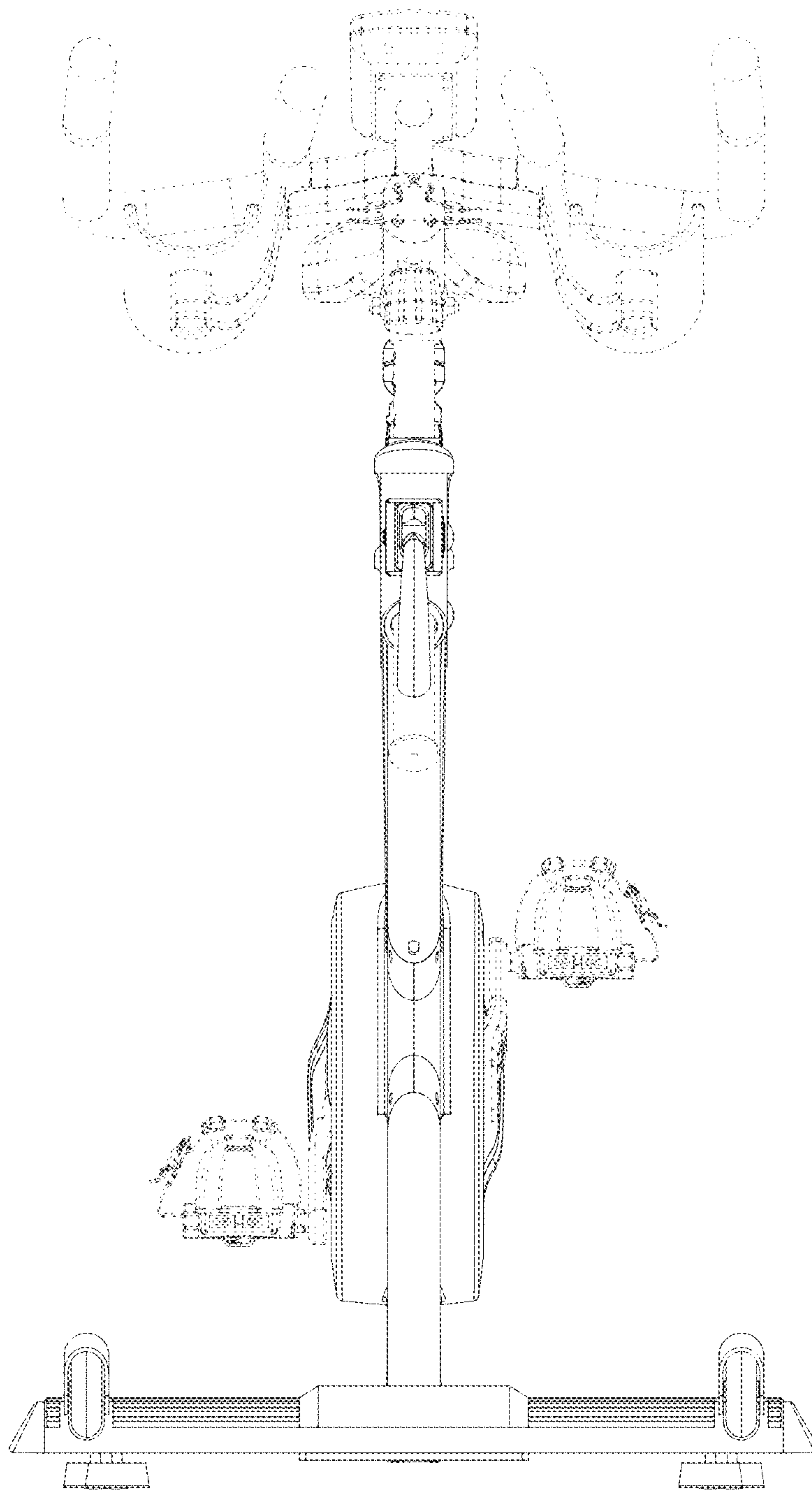


FIG. 5

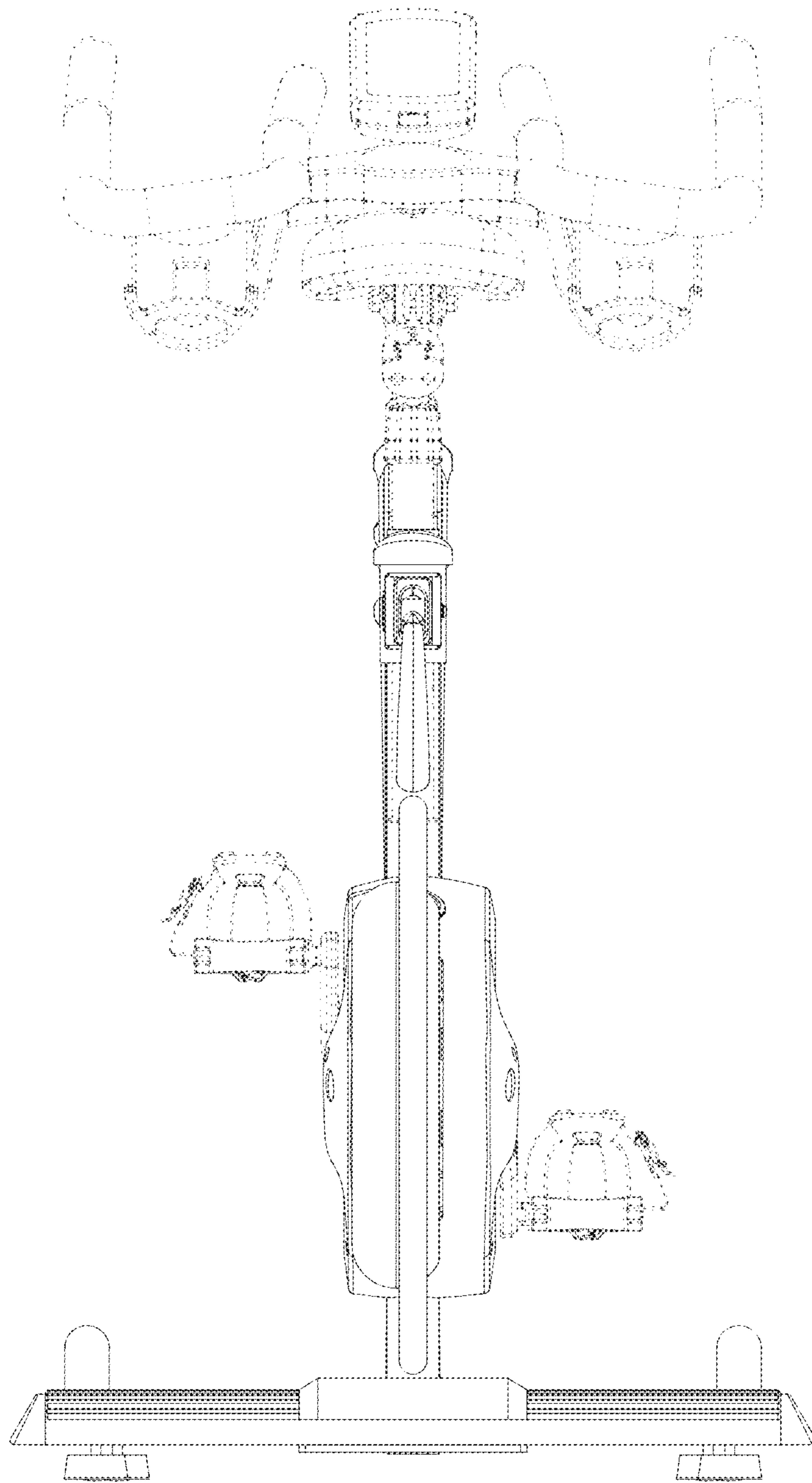


FIG. 6

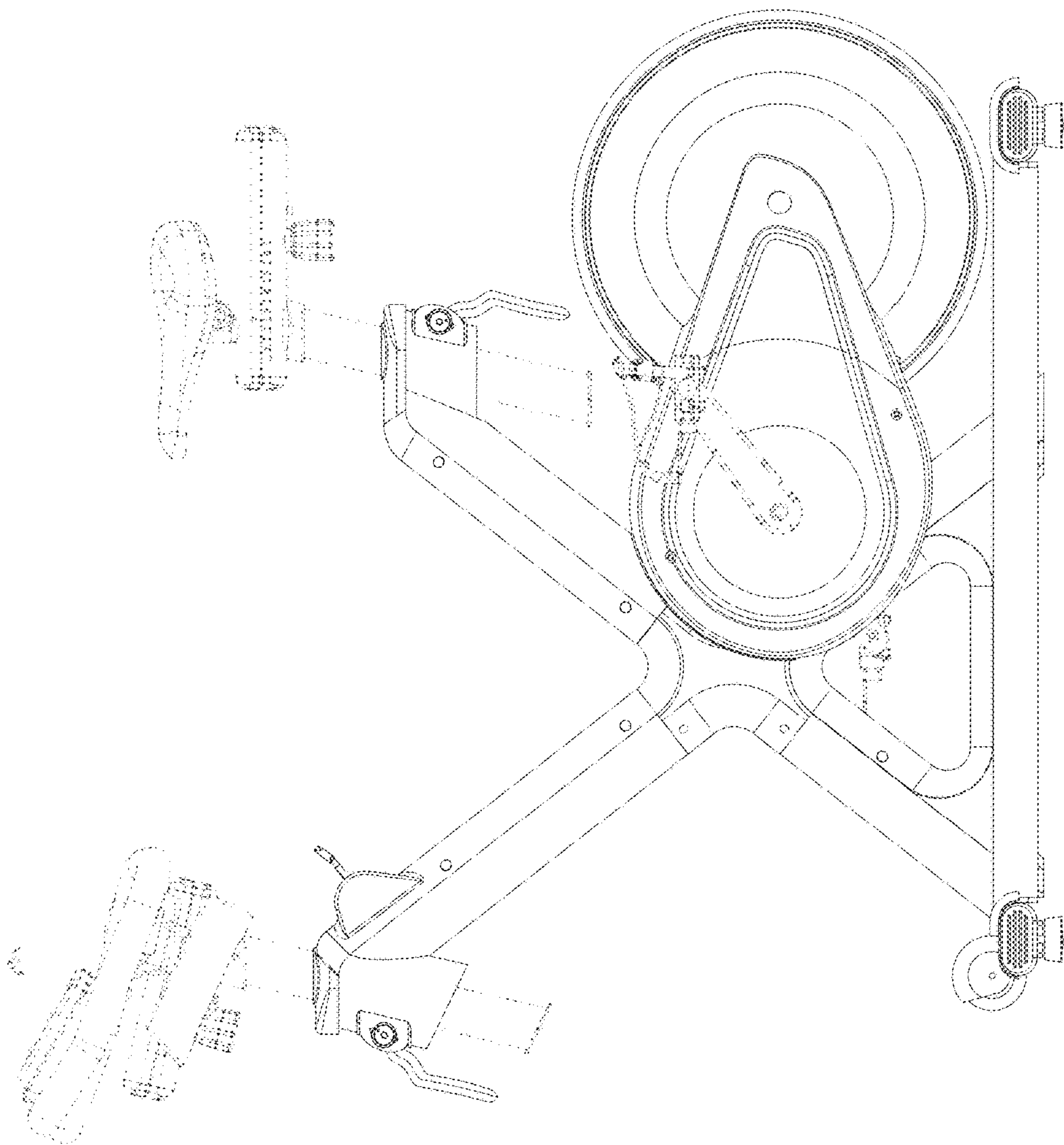


FIG. 7

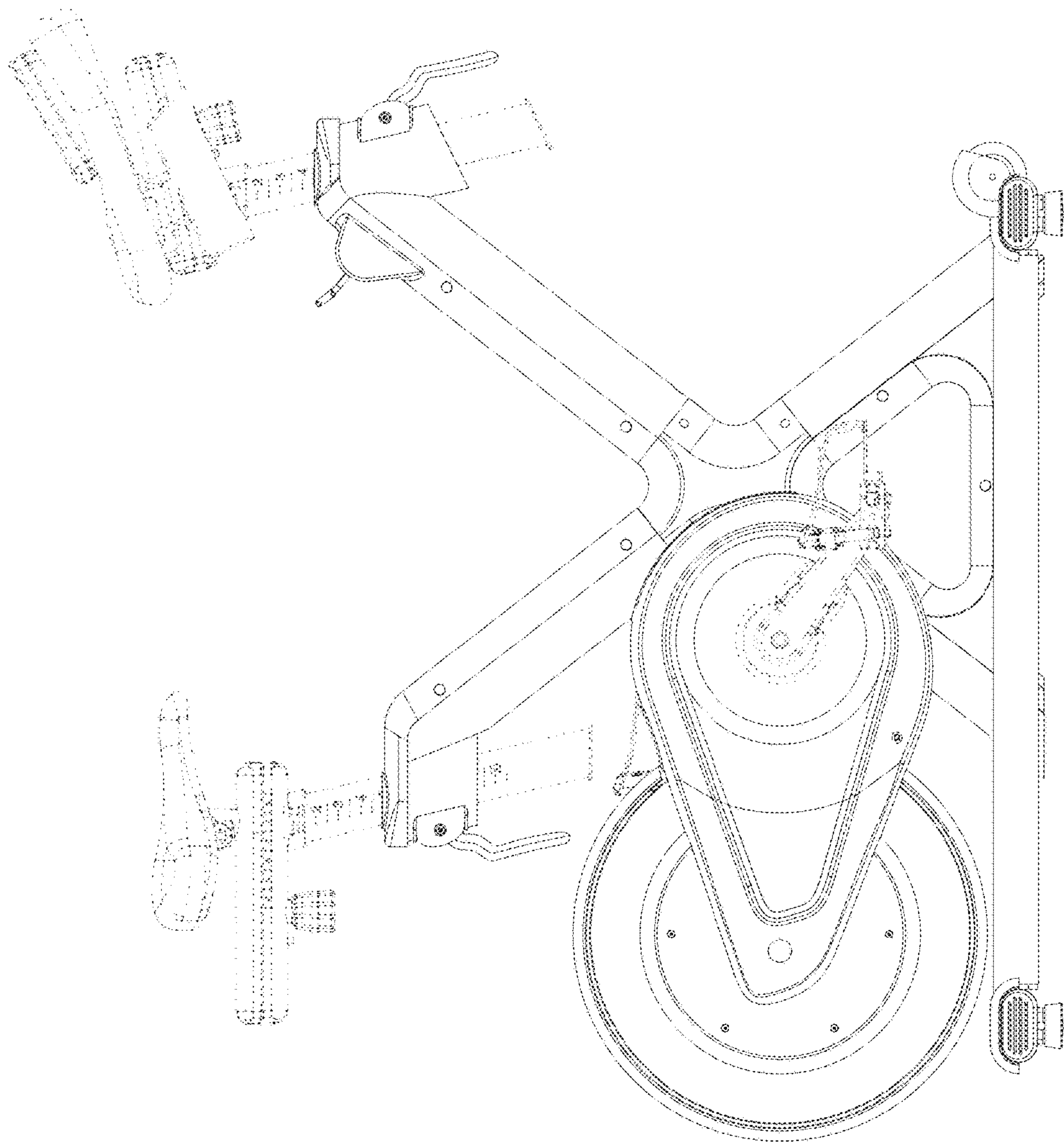


FIG. 8

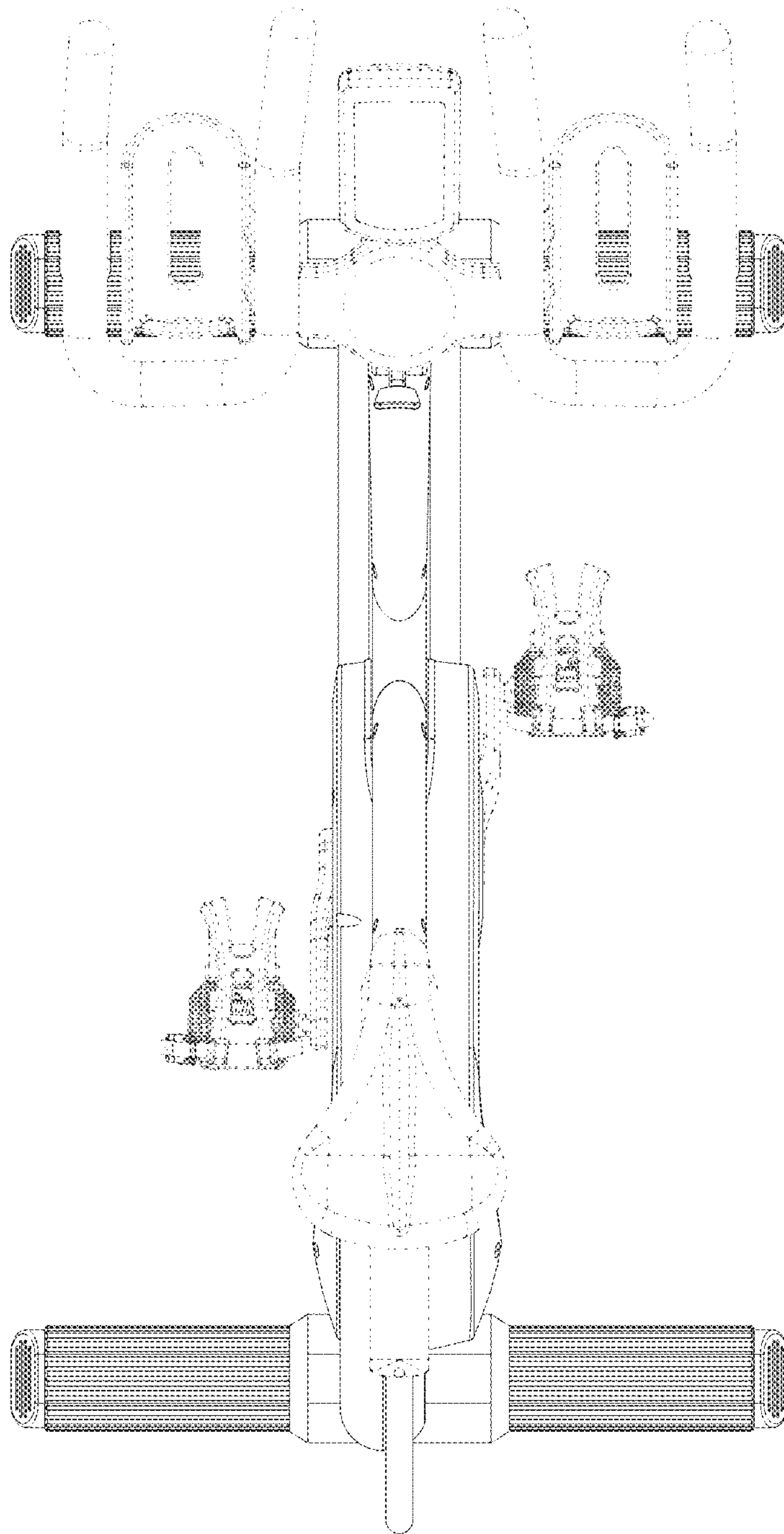


FIG. 9

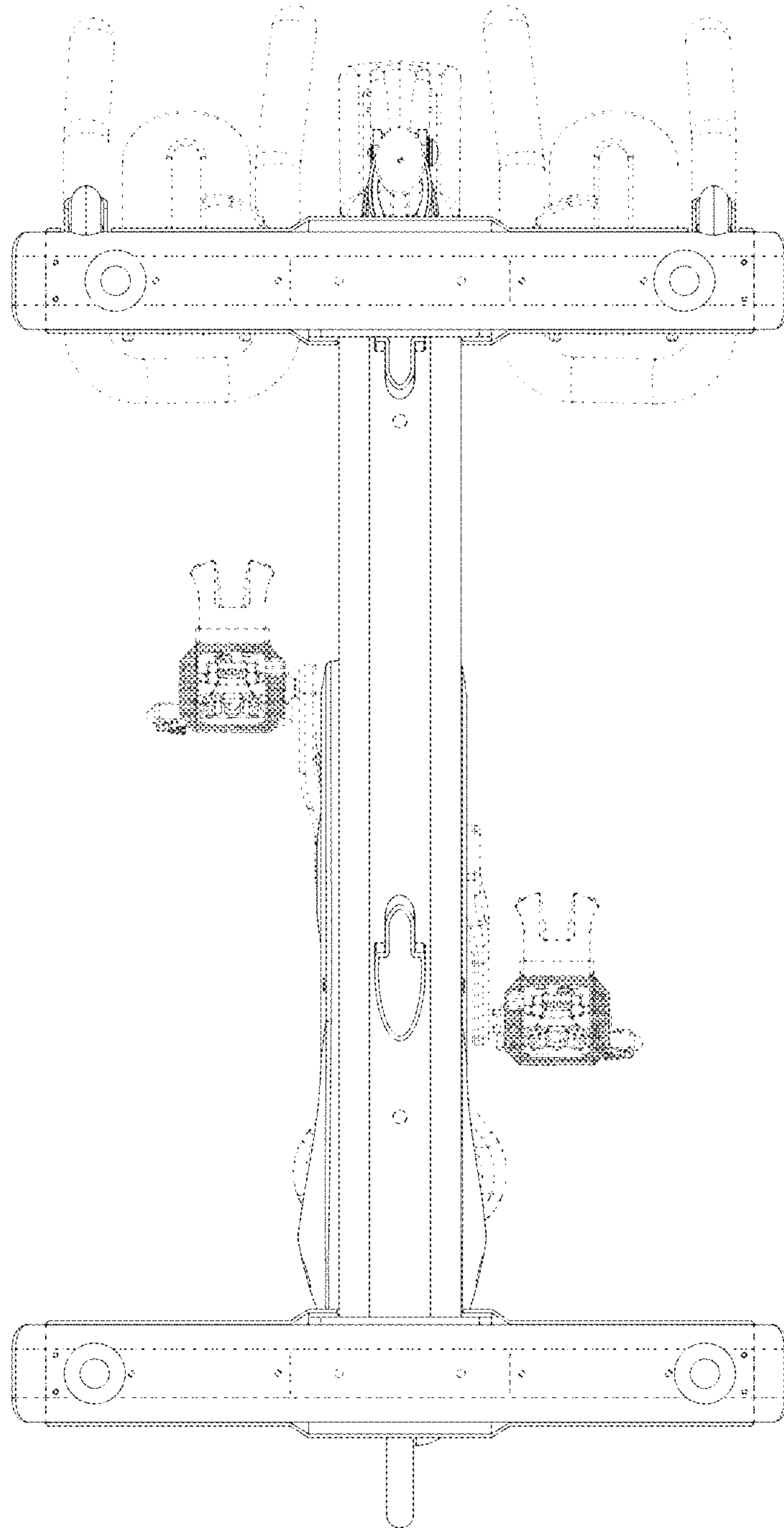


FIG. 10