



US00D836729S

(12) **United States Design Patent** (10) **Patent No.:** **US D836,729 S**
Lee (45) **Date of Patent:** **** Dec. 25, 2018**

(54) **TOY TRAIN**

(74) *Attorney, Agent, or Firm* — WPAT, PC

(71) Applicant: **Wen-Hsien Lee**, New Taipei (TW)

(57) **CLAIM**

(72) Inventor: **Wen-Hsien Lee**, New Taipei (TW)

The ornamental design for a toy train, as shown and described.

(**) Term: **15 Years**

DESCRIPTION

(21) Appl. No.: **29/582,000**

(22) Filed: **Oct. 24, 2016**

(51) **LOC (11) Cl.** **21-01**

(52) **U.S. Cl.**
USPC **D21/541**; D12/36

(58) **Field of Classification Search**

USPC D12/37-41; D21/530-541, 833

CPC A63H 21/00; A63H 21/04; A63H 19/00;
A63H 19/02; A63H 19/04; A63H 19/10;
A63H 19/16; A63H 19/18; Y10S 104/01

See application file for complete search history.

FIG. 1 is a perspective view of a toy train showing my new design;

FIG. 2 is another perspective view thereof;

FIG. 3 is a front view thereof;

FIG. 4 is a rear view thereof;

FIG. 5 is a left side view thereof;

FIG. 6 is a right side view thereof;

FIG. 7 is a top view thereof;

FIG. 8 is a bottom view thereof;

FIG. 9 is an enlarged detailed view according to Area 9 circumscribed within FIG. 2;

FIG. 10 is an enlarged detailed view according to Area 10 circumscribed within FIG. 2;

FIG. 11 is an enlarged detailed view according to Area 11 circumscribed within FIG. 2;

FIG. 12 is an enlarged detailed view according to Area 12 circumscribed within FIG. 8;

FIG. 13 is an enlarged detailed view according to Area 13 circumscribed within FIG. 8; and,

FIG. 14 is an enlarged detailed view according to Area 14 circumscribed within FIG. 8.

The evenly-spaced broken lines depict environmental subject matter, are for illustration only and form no part of the claimed design.

The dot-dot-line broken lines that circumscribe the Area on FIGS. 2 and 8 to 14 depict environmental subject matter, are for illustration only and form no part of the claimed design.

(56) **References Cited**

U.S. PATENT DOCUMENTS

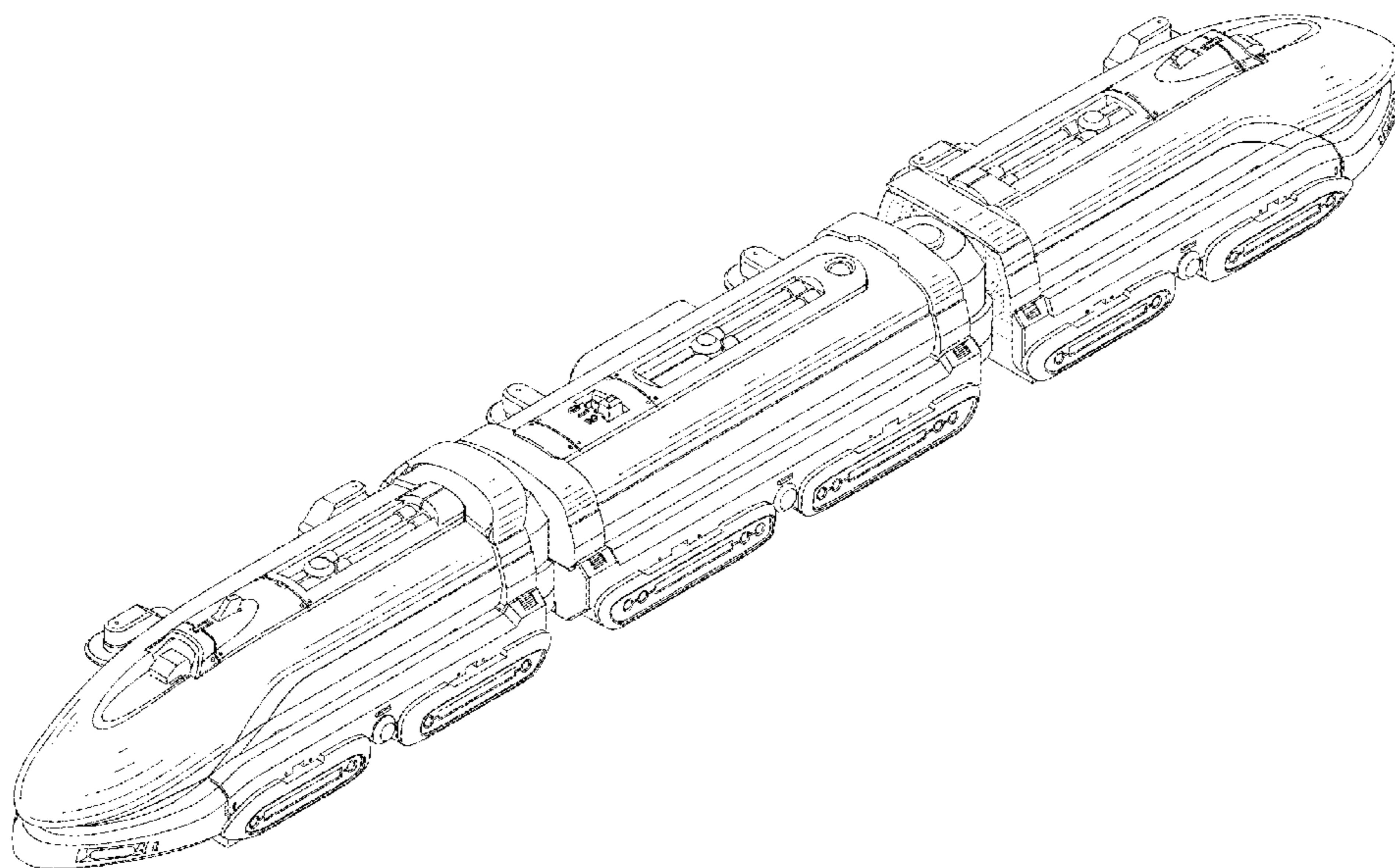
D138,113 S *	6/1944	Baron	D21/541
D205,105 S *	6/1966	Clary	D12/36
D592,999 S *	5/2009	Chomiak	D12/36
D596,988 S *	7/2009	Chomiak	D12/36
D646,605 S *	10/2011	Okuyama	D12/36
D647,575 S *	10/2011	Inoue	D21/541
D751,653 S *	3/2016	Champ	D21/541
D758,243 S *	6/2016	Greenway	D12/36
D758,244 S *	6/2016	Greenway	D12/36
D758,920 S *	6/2016	Greenway	D12/36

* cited by examiner

Primary Examiner — Robin V Webster

Assistant Examiner — Keith J Wilson

1 Claim, 14 Drawing Sheets



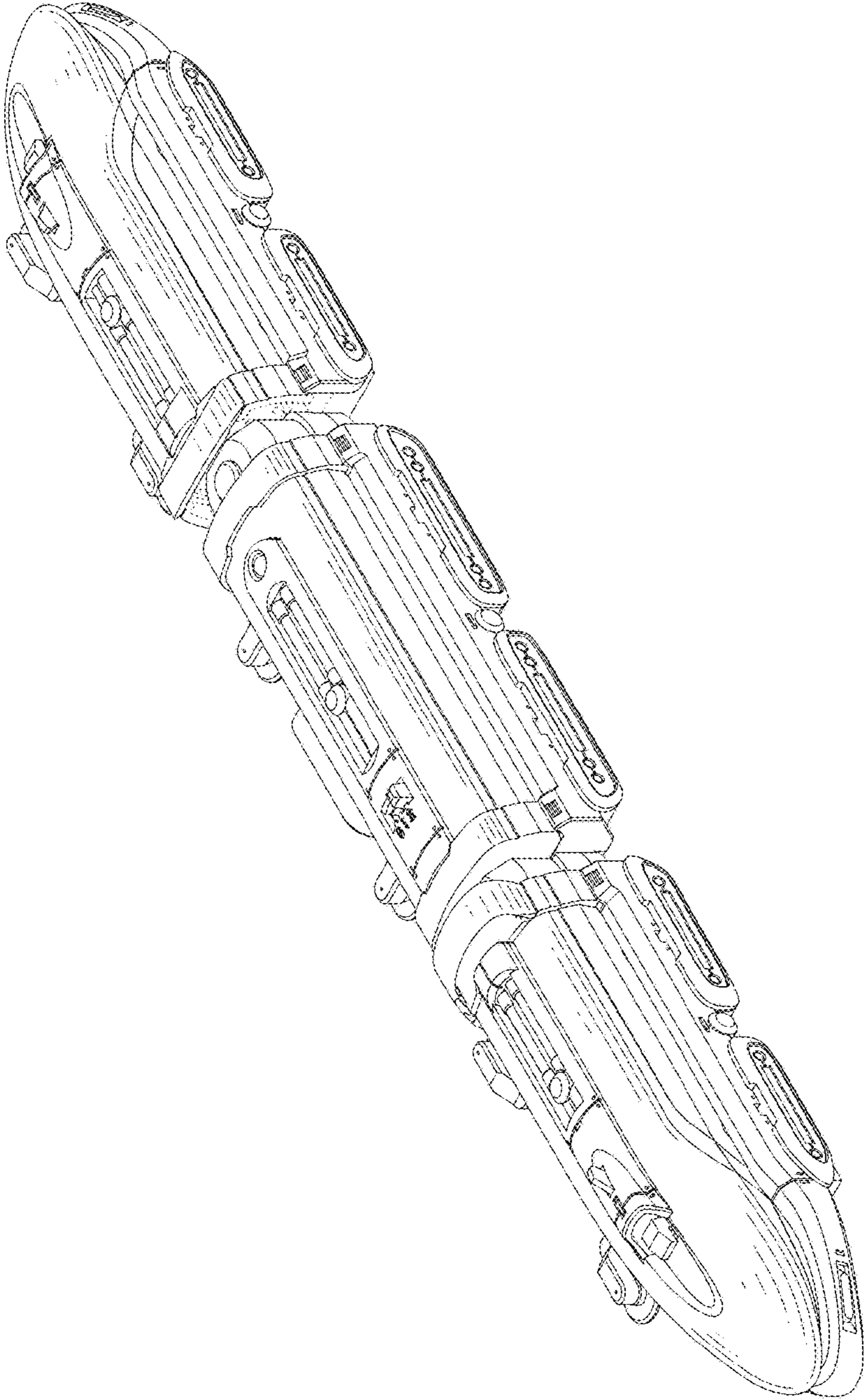


FIG.1

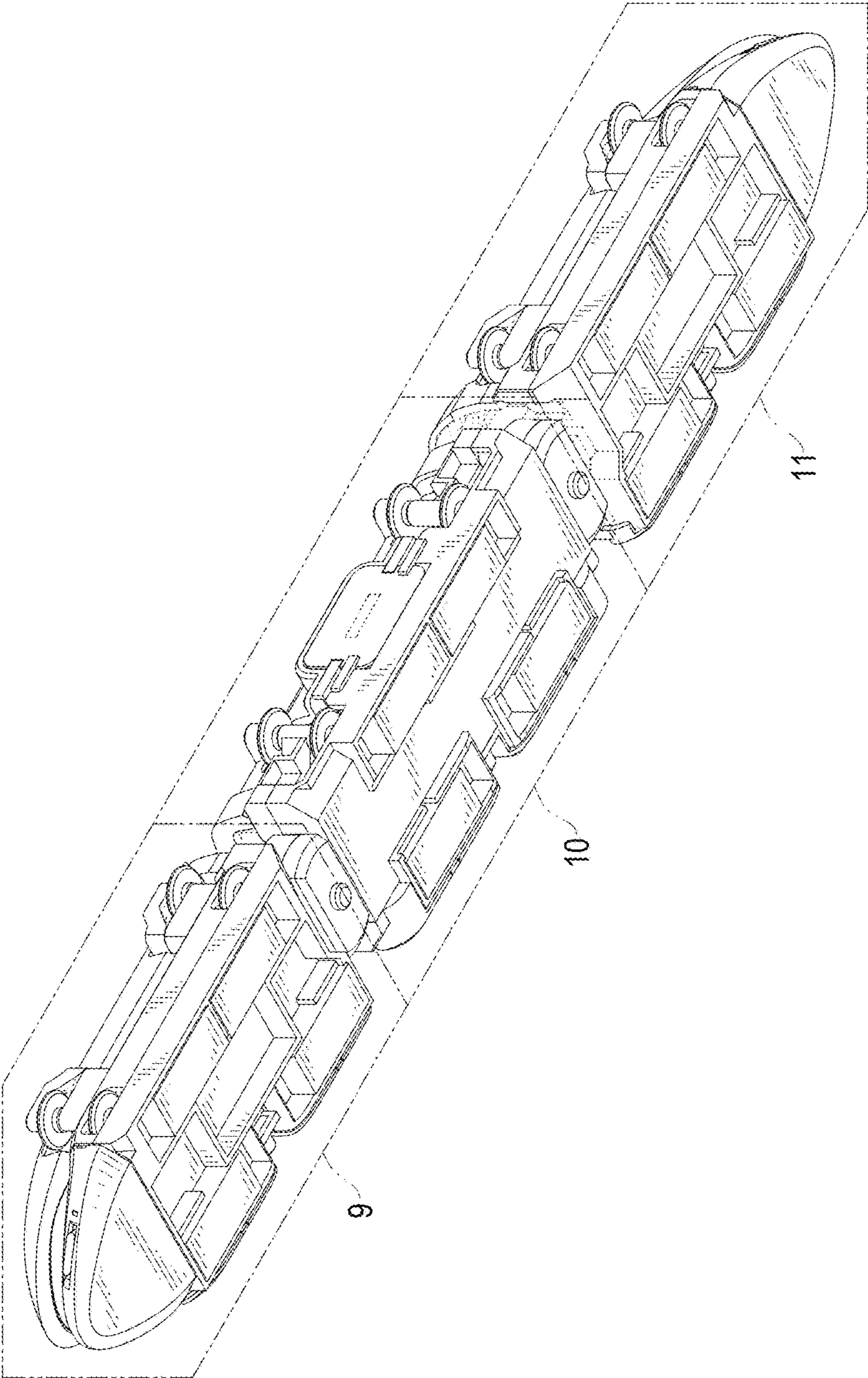


FIG.2

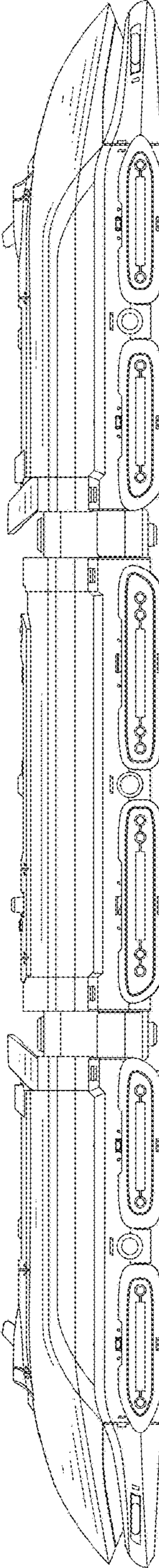


FIG.3

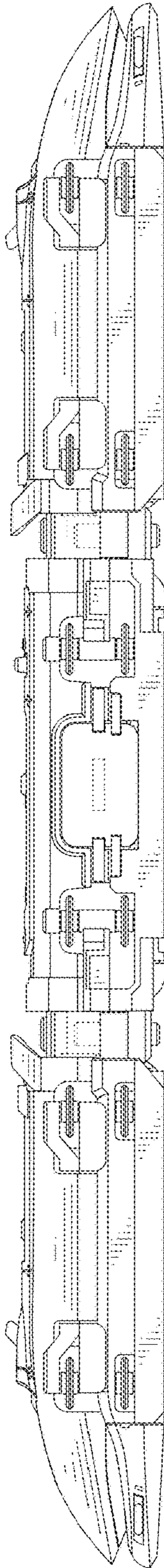


FIG.4

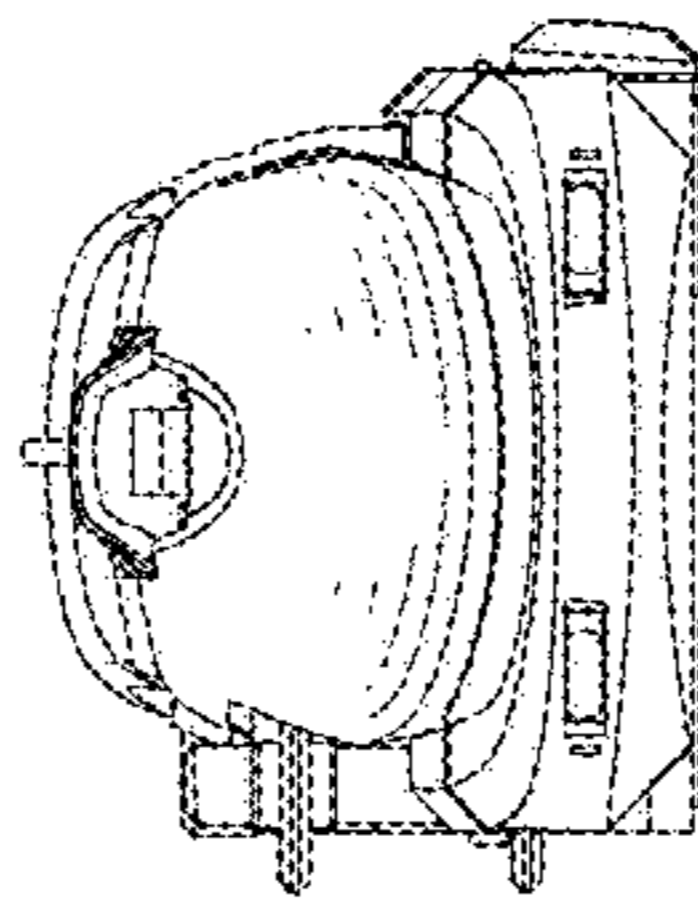


FIG.5

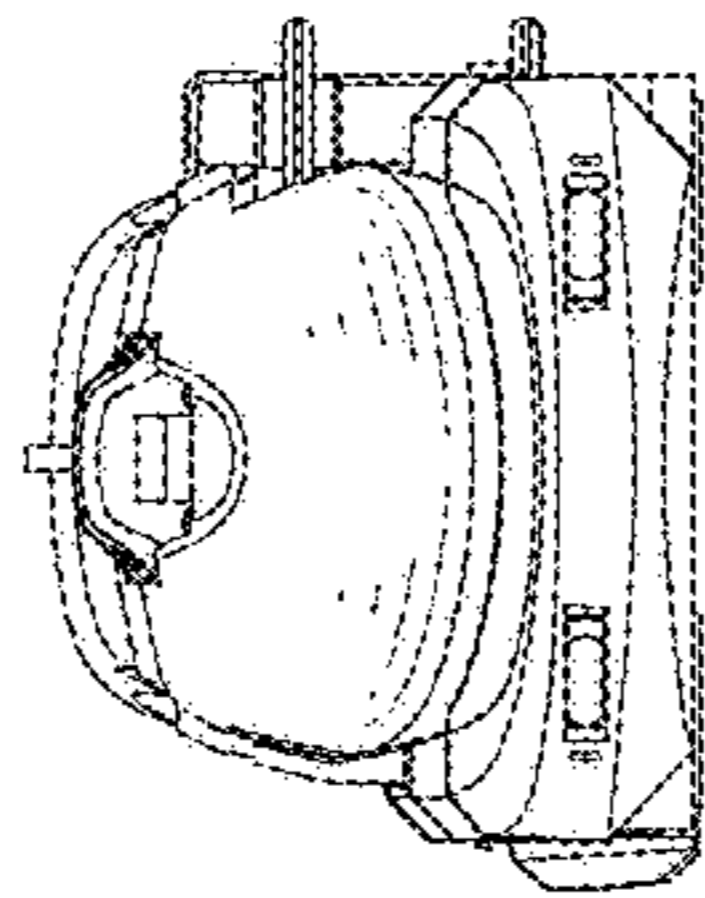


FIG.6

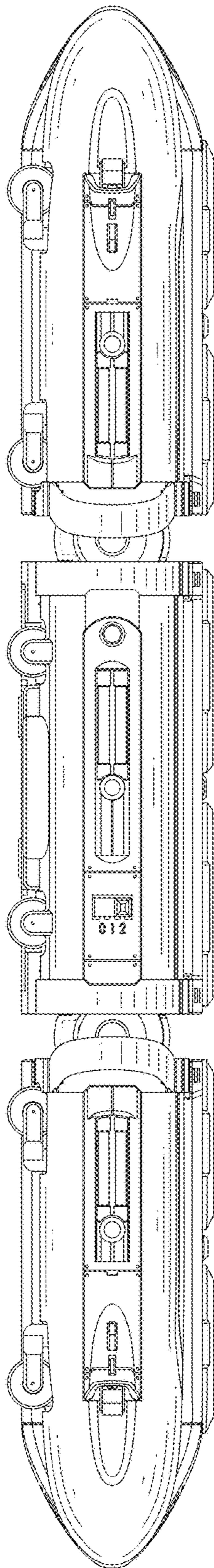


FIG. 7

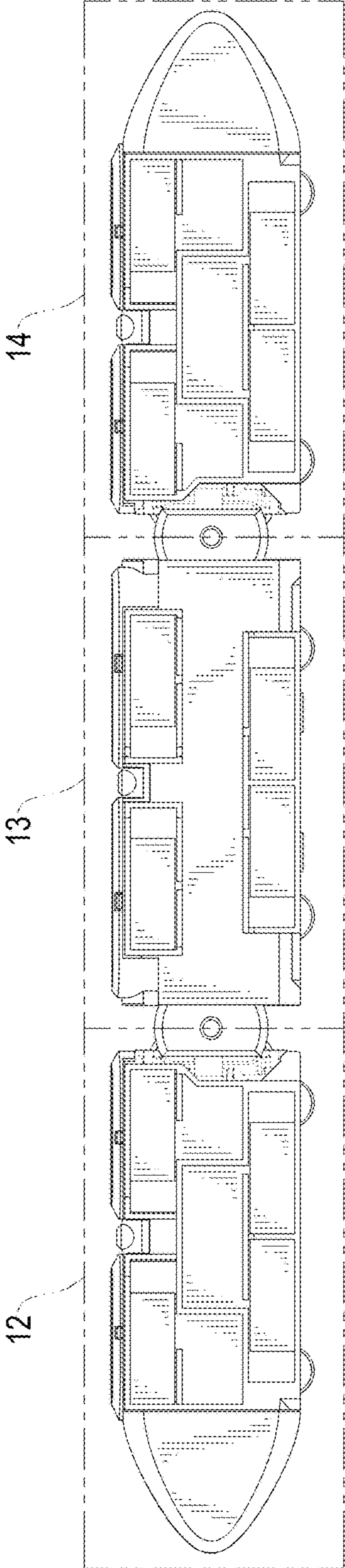


FIG.8

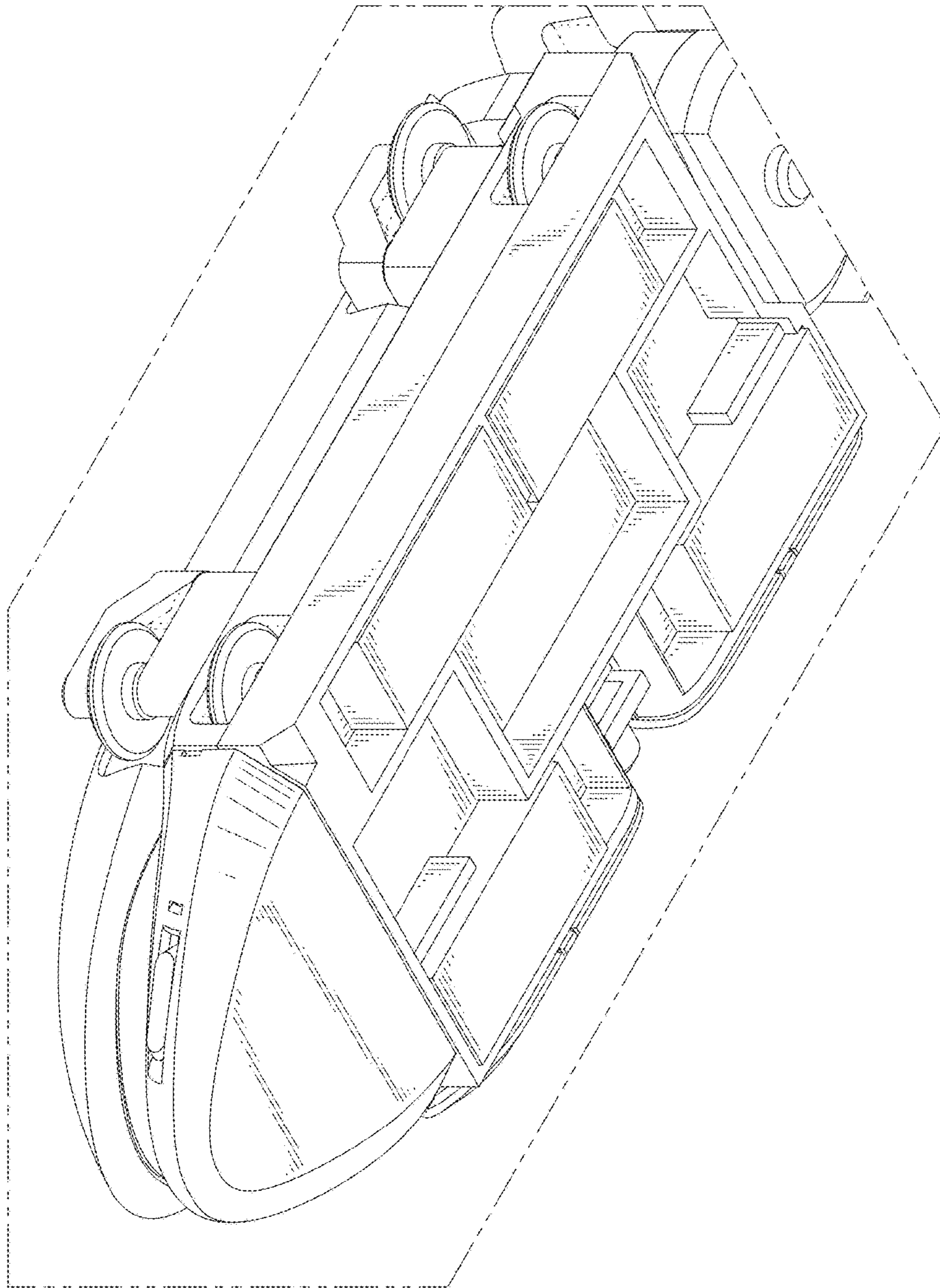


FIG.9

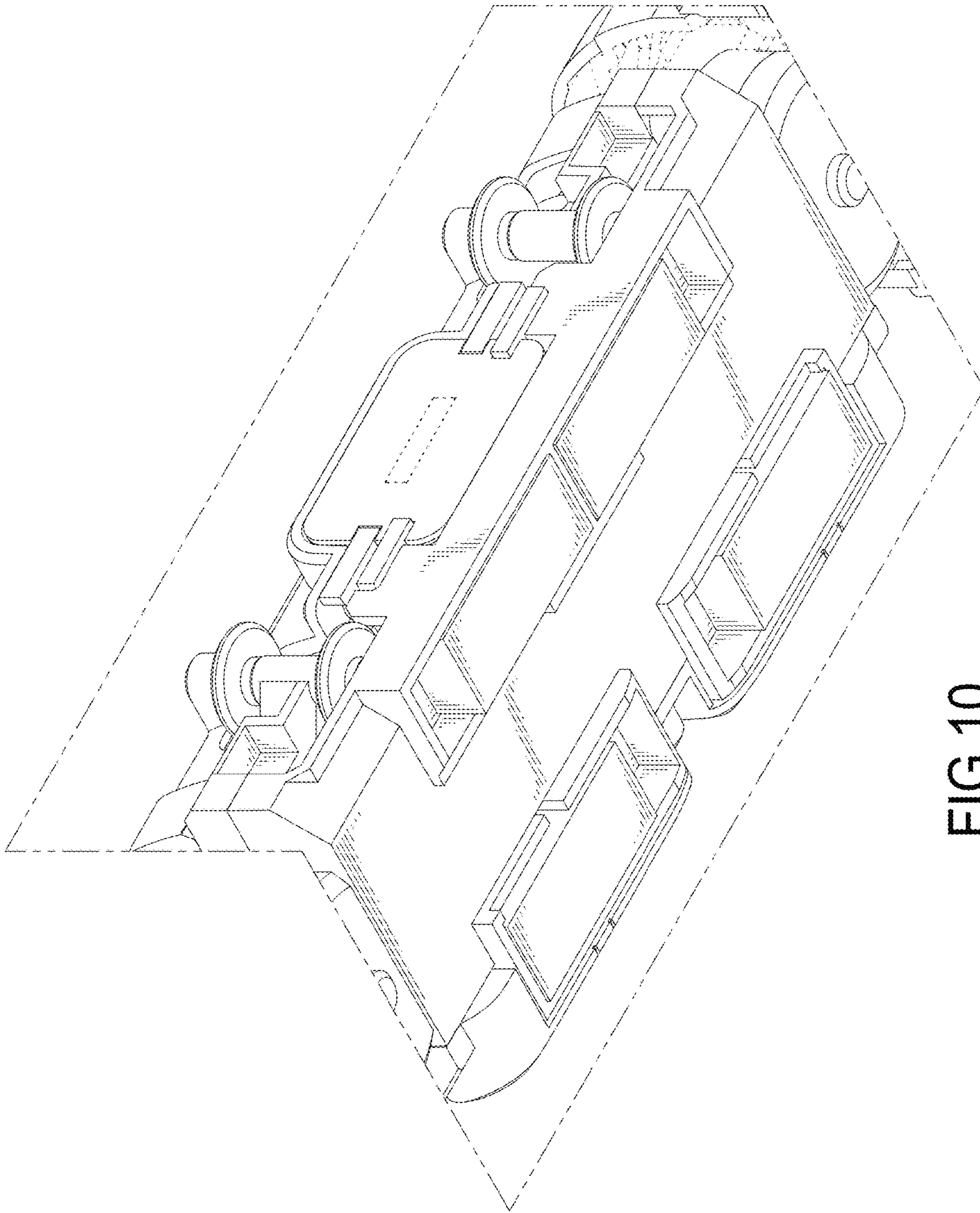


FIG.10

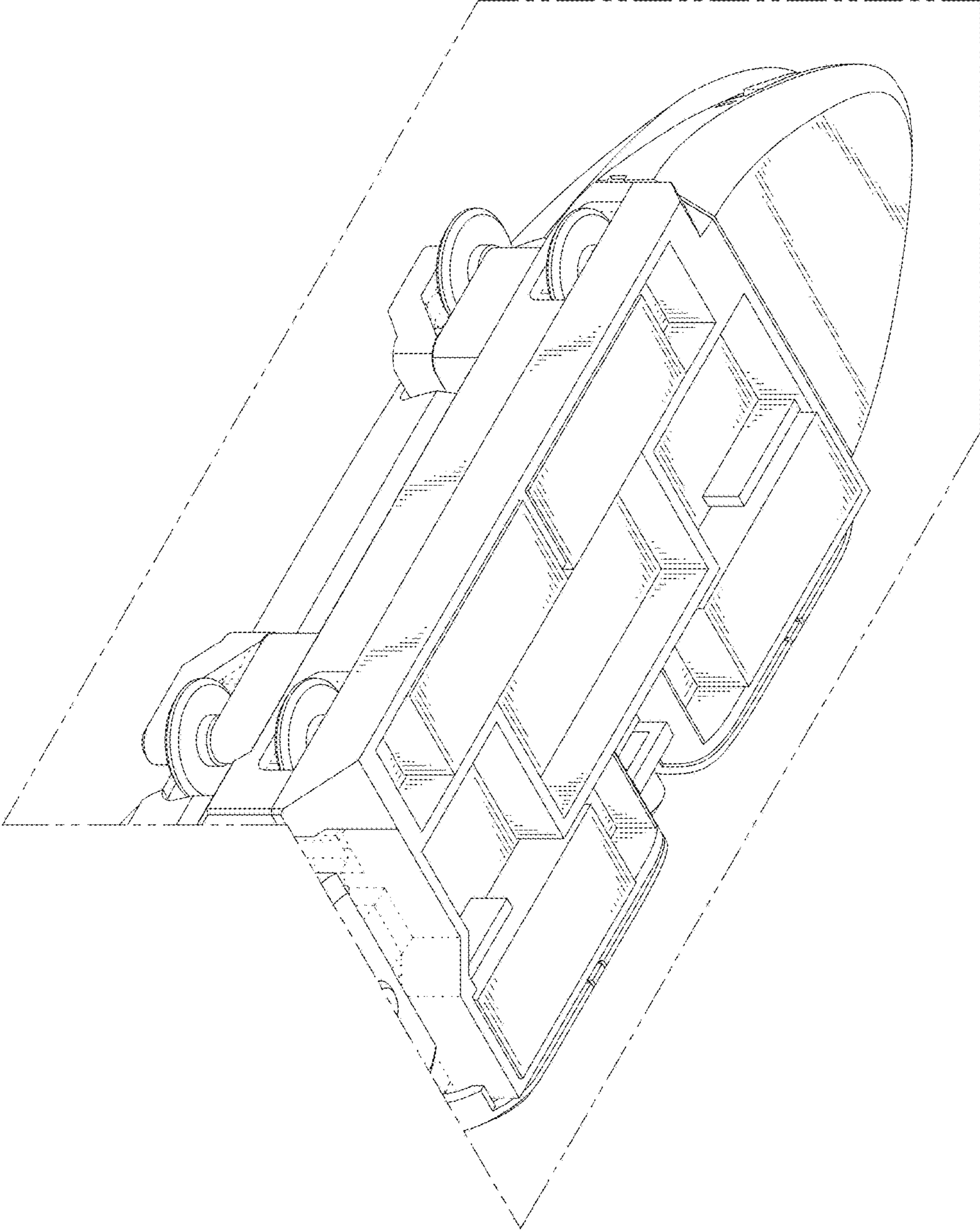


FIG.11

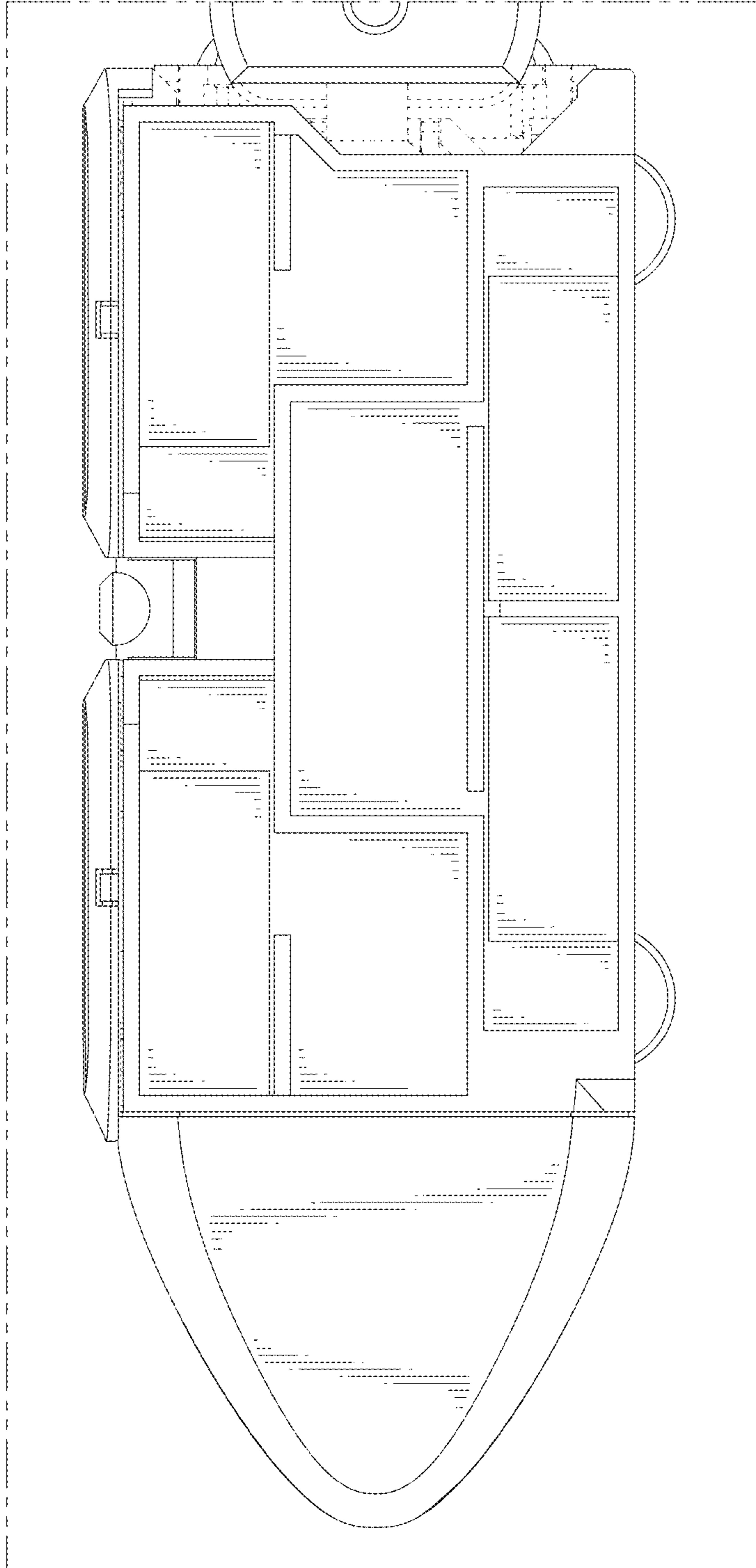


FIG.12

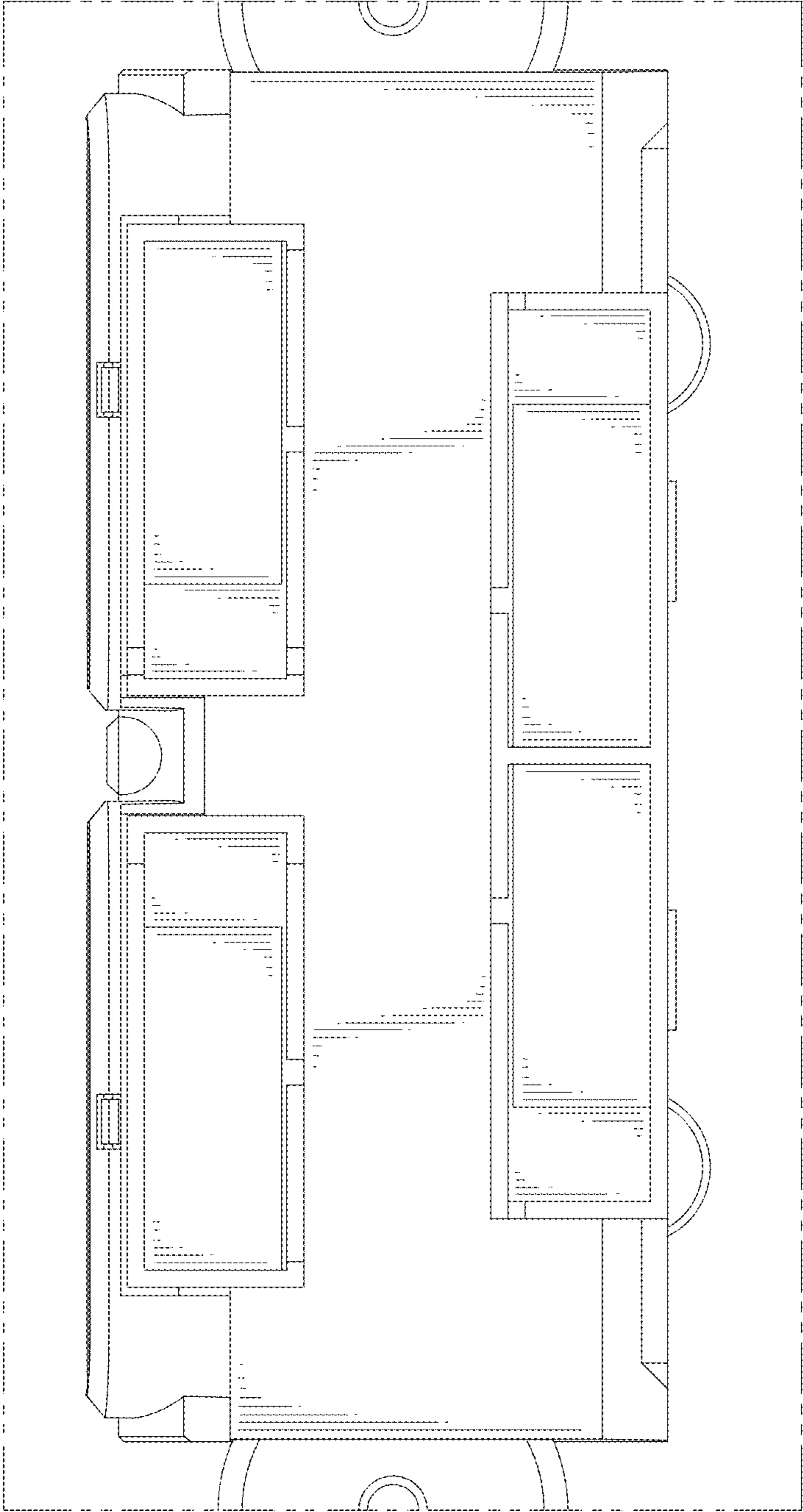


FIG.13

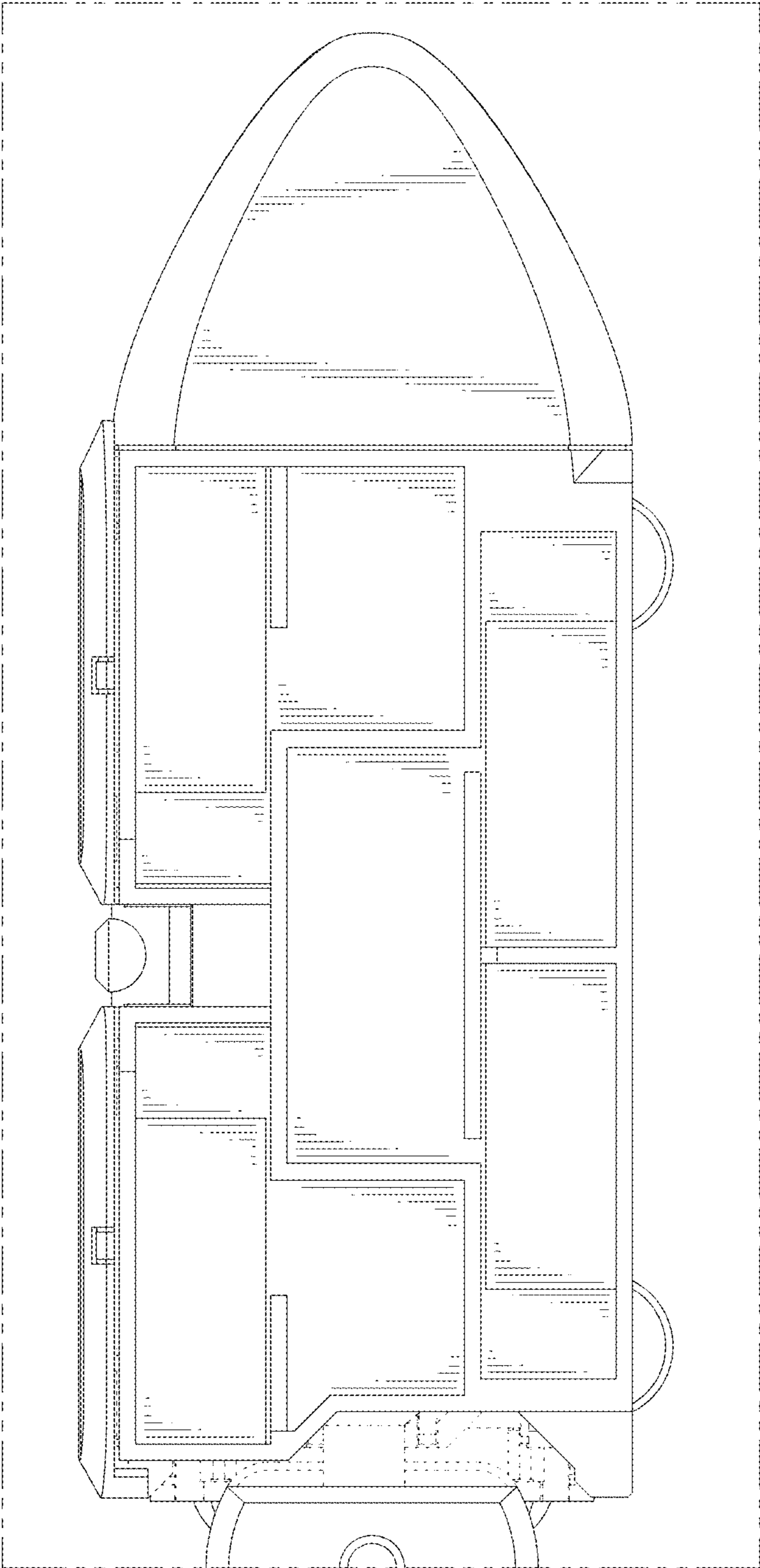


FIG.14