



US00D836728S

(12) **United States Design Patent** (10) **Patent No.:** **US D836,728 S**
Liu (45) **Date of Patent:** **** Dec. 25, 2018**

(54) **ELECTRIC BALANCE SCOOTER**

FOREIGN PATENT DOCUMENTS

(71) Applicant: **NINEBOT (BEIJING) TECH. CO., LTD**, Beijing (CN)

CN 302908898 S 8/2014
CN 303541333 S 1/2016

(Continued)

(72) Inventor: **Xiaoying Liu**, Beijing (CN)

OTHER PUBLICATIONS

(73) Assignee: **NINEBOT (BEIJING) TECH, CO., LTD**, Beijing (CN)

Design U.S. Appl. No. 35/501,473, filed May 12, 2016.

(**) Term: **15 Years**

Primary Examiner — George D. Kirschbaum

(21) Appl. No.: **35/503,123**

(74) *Attorney, Agent, or Firm* — Margaret Polson; Polson Intellectual Property Law, PC

(22) Filed: **Feb. 28, 2017**

(80) **Hague Agreement Data**

(57) **CLAIM**

Int. Filing Date: **Feb. 28, 2017**

The ornamental design for an electric balance scooter, as shown and described.

Int. Reg. No.: **DM/096164**

Int. Reg. Date: **Feb. 28, 2017**

Int. Reg. Pub. Date: **Jun. 9, 2017**

(30) **Foreign Application Priority Data**

Aug. 30, 2016 (CN) 2016 3 0448829

(51) **LOC (11) Cl.** **21-01**

(52) **U.S. Cl.**
USPC **D21/423**

(58) **Field of Classification Search**
USPC D21/421, 423; D12/1; D15/1
CPC B62M 7/12; B62K 21/00; B62D 51/001;
B62D 51/02; B60N 2/002
See application file for complete search history.

DESCRIPTION

The patent or application file contains at least one drawing executed in color. Copies of this patent or patent application publication with color drawing(s) will be provided by the Office upon request and payment of the necessary fee.

1.-2. Electric balance scooters

1.1 : Front

1.2 : Back

1.3 : Left

1.4 : Right

1.5 : Top

1.6 : Bottom

1.7 : Perspective

2.1 : Front

2.2 : Back

2.3 : Left

2.4 : Right

2.5 : Top

2.6 : Bottom

2.7 : Perspective

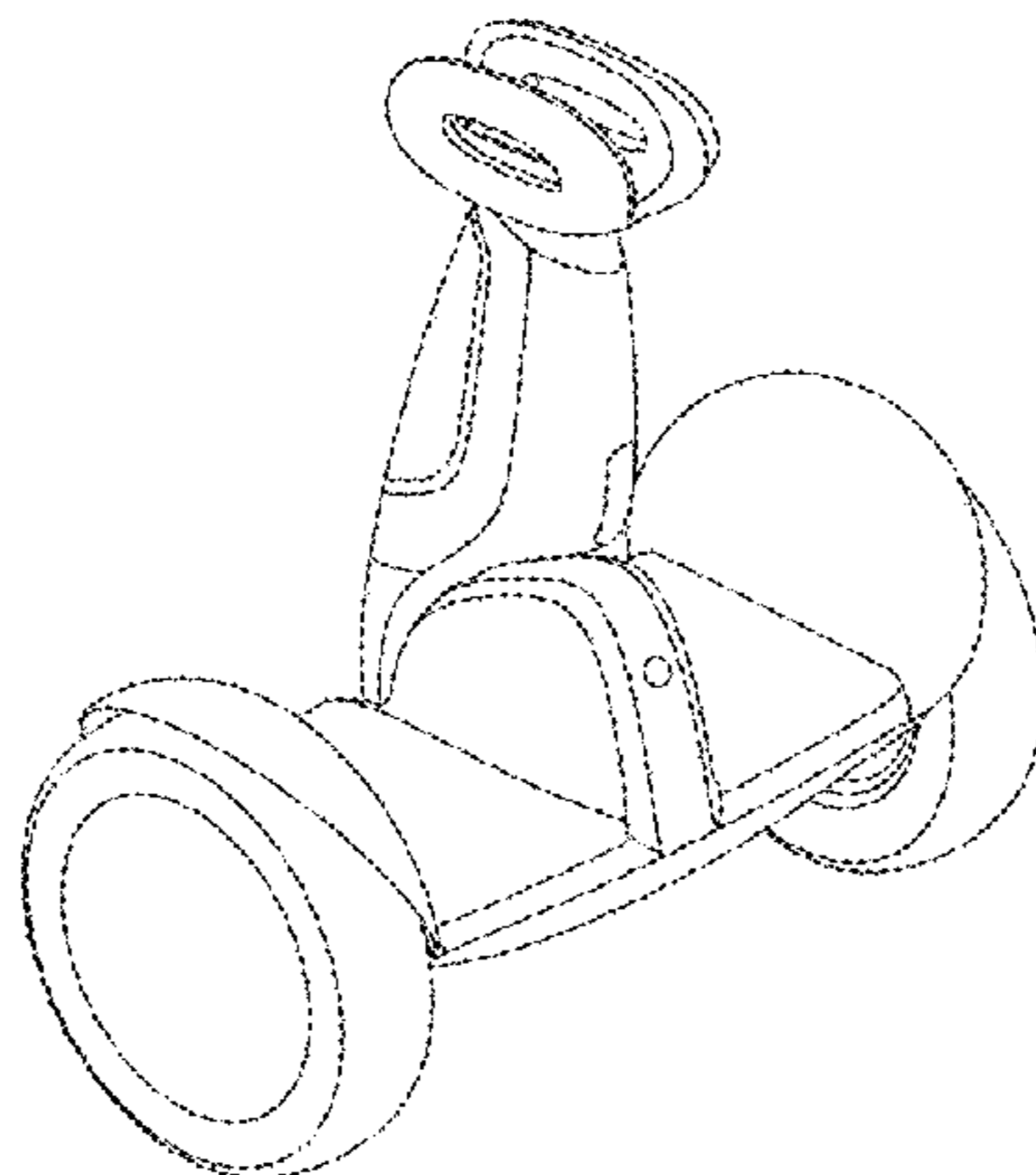
(56) **References Cited**

U.S. PATENT DOCUMENTS

D355,148 S 2/1995 Orsolini
6,561,294 B1 5/2003 Kamen et al.
D489,027 S 4/2004 Waters
D493,128 S 7/2004 Waters et al.
D494,099 S 8/2004 Maurer et al.
6,907,949 B1 * 6/2005 Wang B62D 51/02
180/19.1

(Continued)

1 Claim, 14 Drawing Sheets
(7 of 14 Drawing Sheet(s) Filed in Color)



(56)

References Cited

U.S. PATENT DOCUMENTS

D507,206 S 7/2005 Wang
 D528,468 S * 9/2006 Arling D12/1
 7,192,040 B2 * 3/2007 Xie B62D 51/001
 180/216
 D549,756 S 8/2007 Park
 D551,592 S 9/2007 Chang et al.
 D551,722 S 9/2007 Chang et al.
 D563,443 S 3/2008 Ahn
 D569,308 S 5/2008 Bergeron et al.
 D579,035 S 10/2008 Kim
 D587,173 S 2/2009 Laymaster
 D594,492 S 6/2009 Stratton et al.
 D601,922 S 10/2009 Imai et al.
 7,703,568 B2 4/2010 Ishii
 7,784,206 B2 8/2010 Trainer
 D626,031 S 10/2010 Doran
 8,201,653 B2 * 6/2012 Strassman B60N 2/002
 180/218
 D699,626 S 2/2014 Nam
 8,800,697 B2 8/2014 Hoffmann et al.
 D725,166 S 3/2015 Paik
 D726,836 S 4/2015 Song
 9,085,334 B2 7/2015 Hoffmann et al.
 D735,608 S 8/2015 Cao et al.
 D739,307 S 9/2015 Hoffmann et al.
 D743,843 S 11/2015 Guo et al.
 9,188,984 B2 11/2015 Kamen et al.
 D748,533 S 2/2016 Collins et al.
 D774,600 S 12/2016 Tao
 D774,940 S 12/2016 de la Gandara

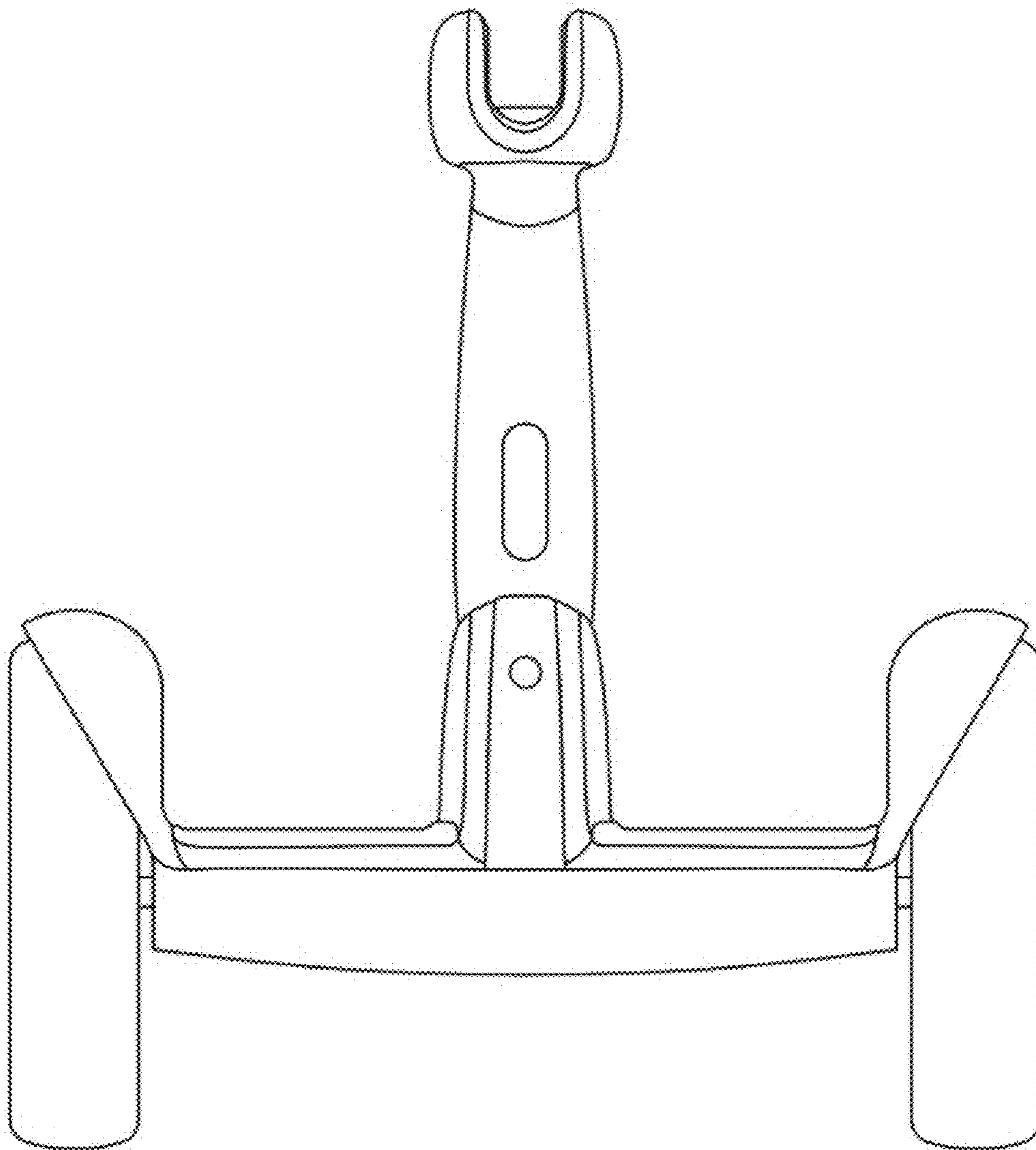
9,545,963 B2 1/2017 Kamen et al.
 9,598,136 B1 * 3/2017 Kim B62K 21/00
 9,611,004 B2 4/2017 Hoffmann et al.
 D788,639 S 6/2017 Constin
 D792,715 S 7/2017 Liu et al.
 D793,107 S 8/2017 Liu et al.
 D793,905 S 8/2017 Liu et al.
 D794,345 S 8/2017 Liu et al.
 D795,134 S * 8/2017 Liu D12/1
 D806,177 S 12/2017 Liu
 D810,167 S 2/2018 Yang
 D810,800 S 2/2018 Wang
 D811,458 S 2/2018 Wang
 D812,694 S * 3/2018 Nissen D21/423
 9,919,762 B2 * 3/2018 Kim B62M 7/12
 D816,119 S * 4/2018 Pu D15/1
 D816,778 S * 5/2018 Yang D21/421
 D820,157 S 6/2018 Chen
 2005/0134014 A1 6/2005 Xie
 2006/0202439 A1 9/2006 Kahlert

FOREIGN PATENT DOCUMENTS

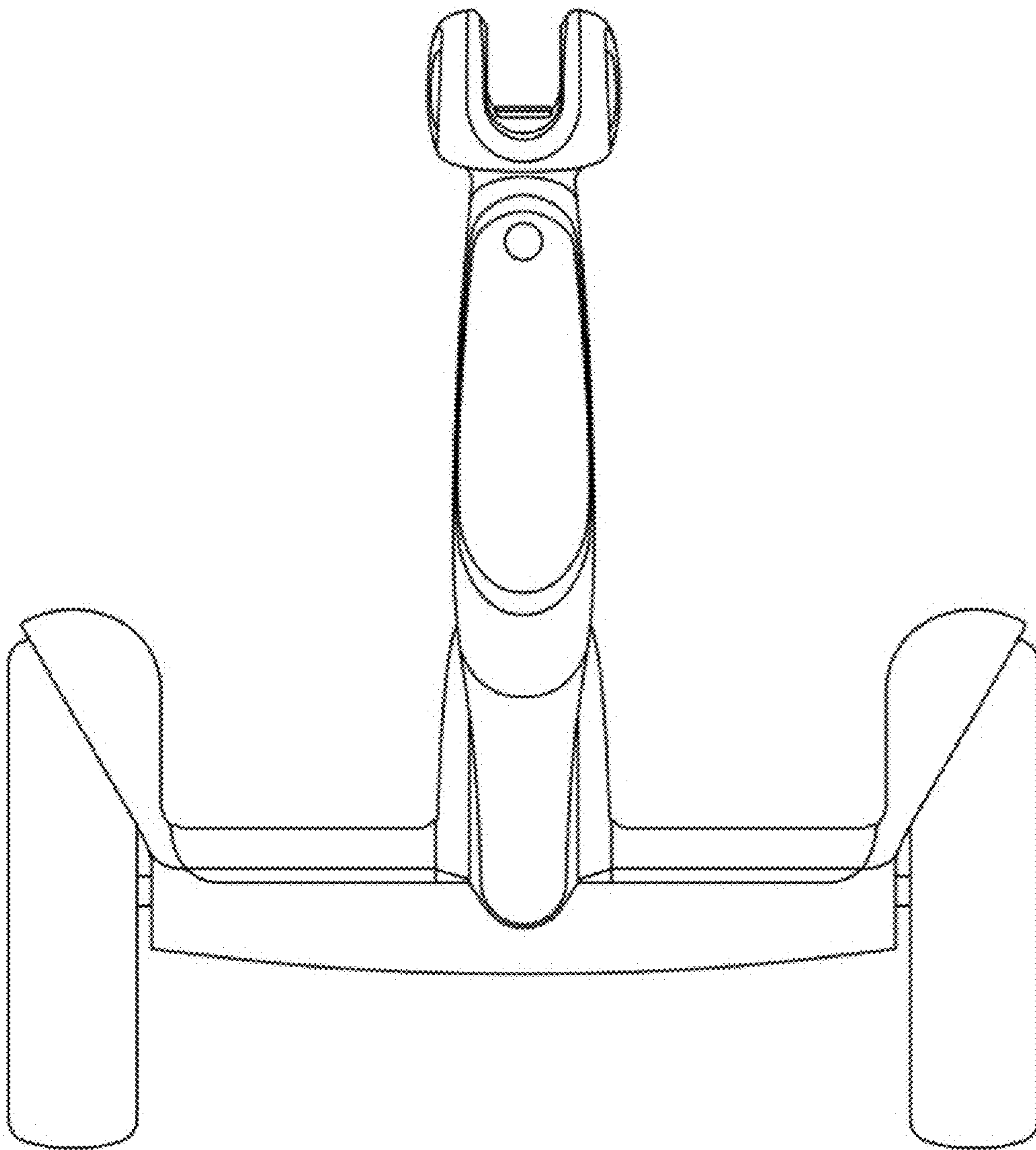
CN 303578493 S 2/2016
 CN 303590654 S 2/2016
 CN 303647045 S 4/2016
 CN 303754724 S 7/2016
 CN 303754725 S 7/2016
 CN 303754756 S 7/2016
 CN 303804691 S 8/2016
 WO DM090011 4/2016

* cited by examiner

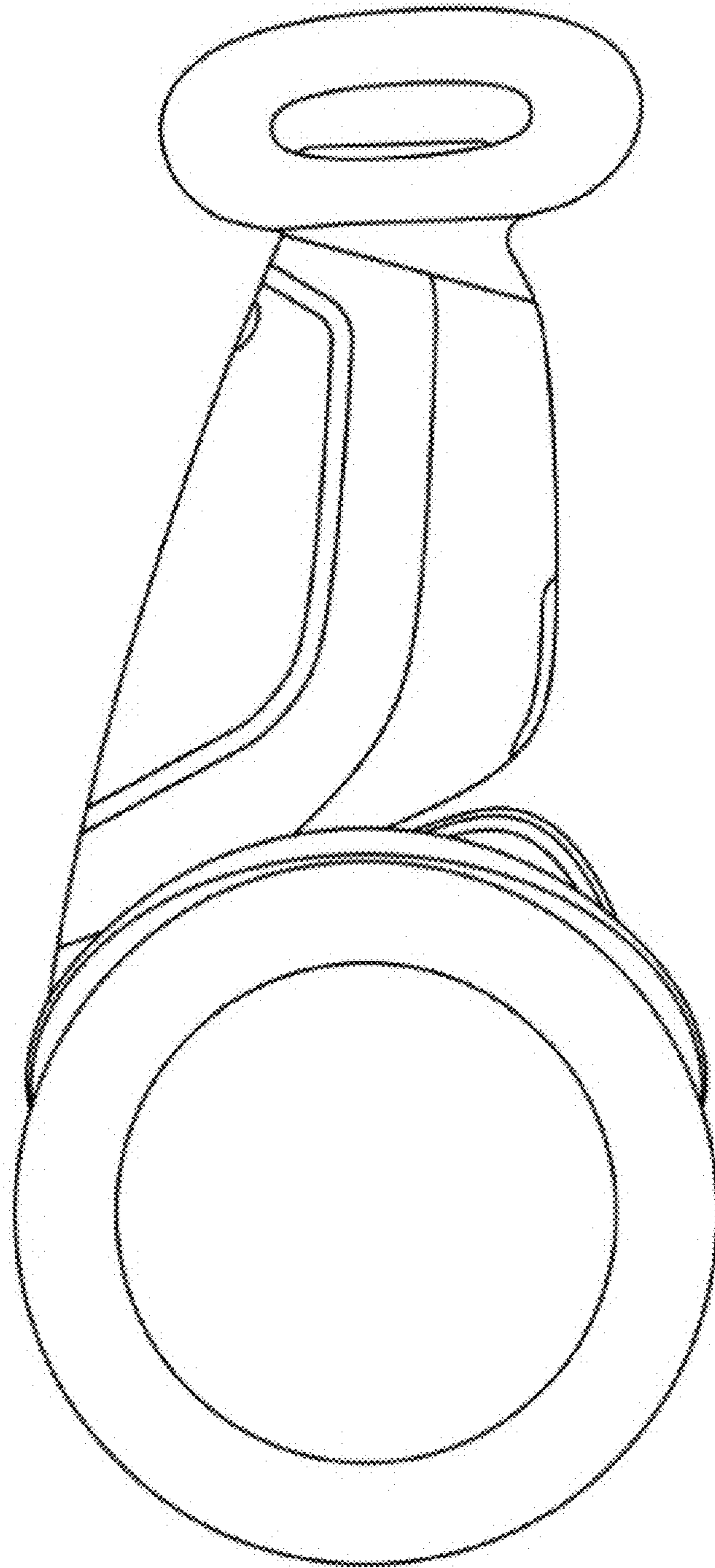
1.1



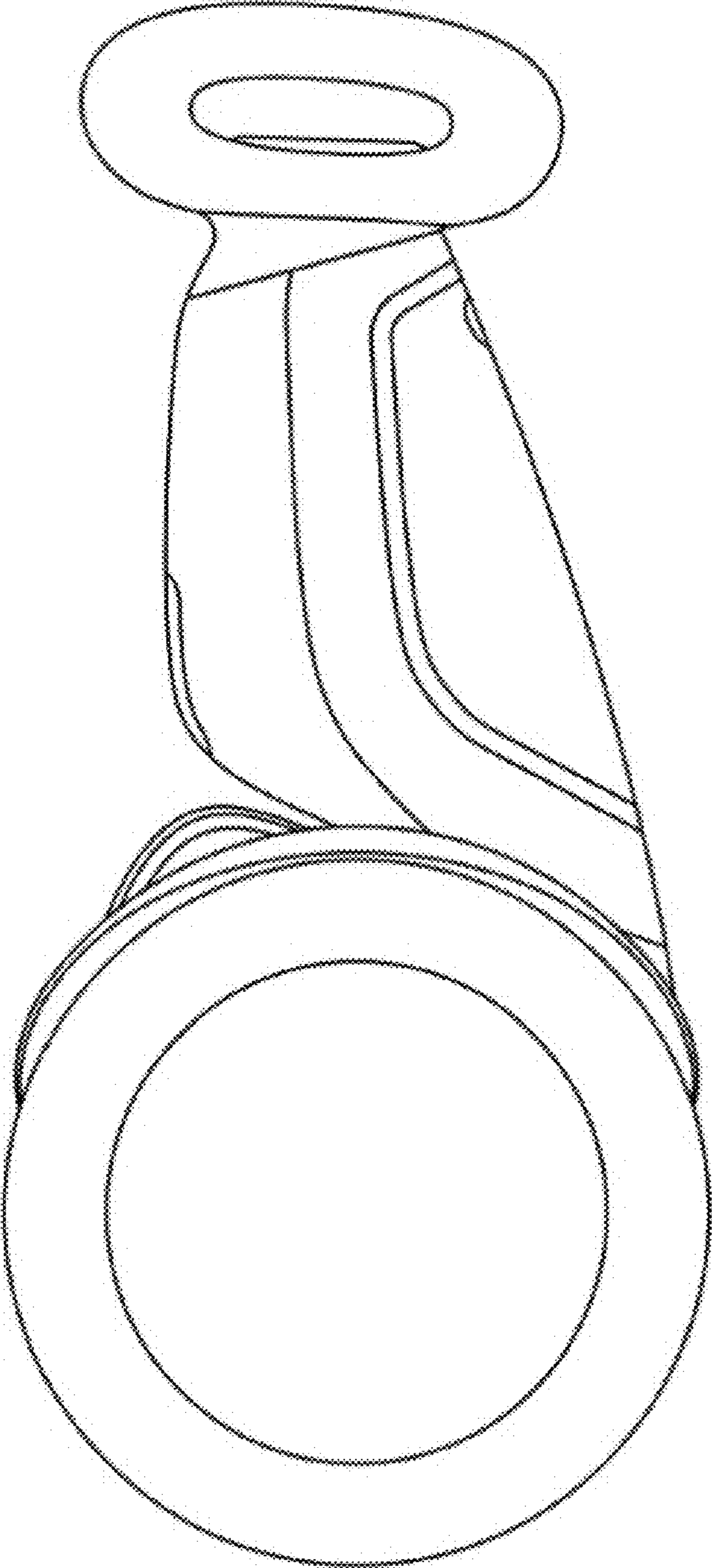
1.2



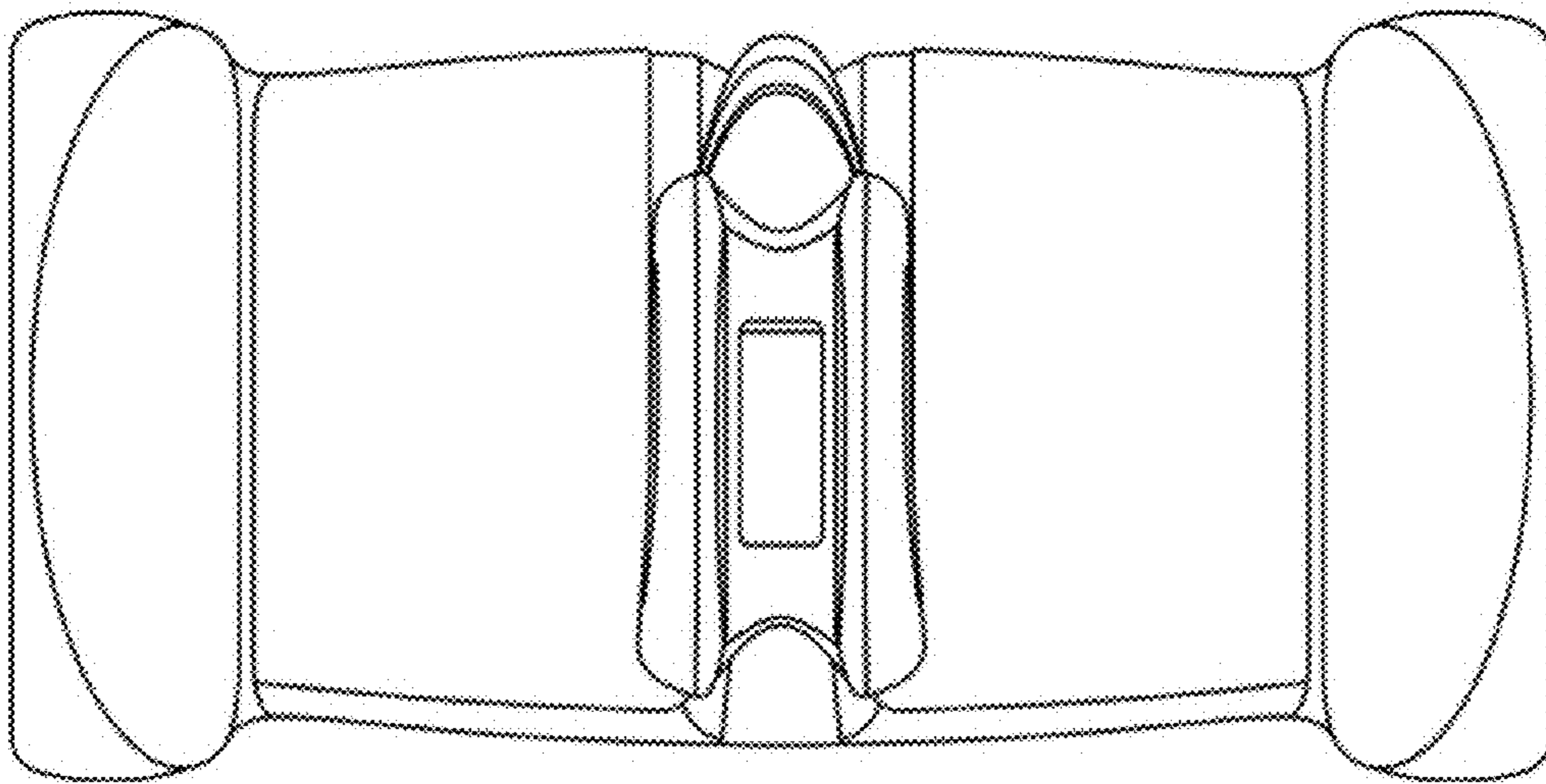
1.3



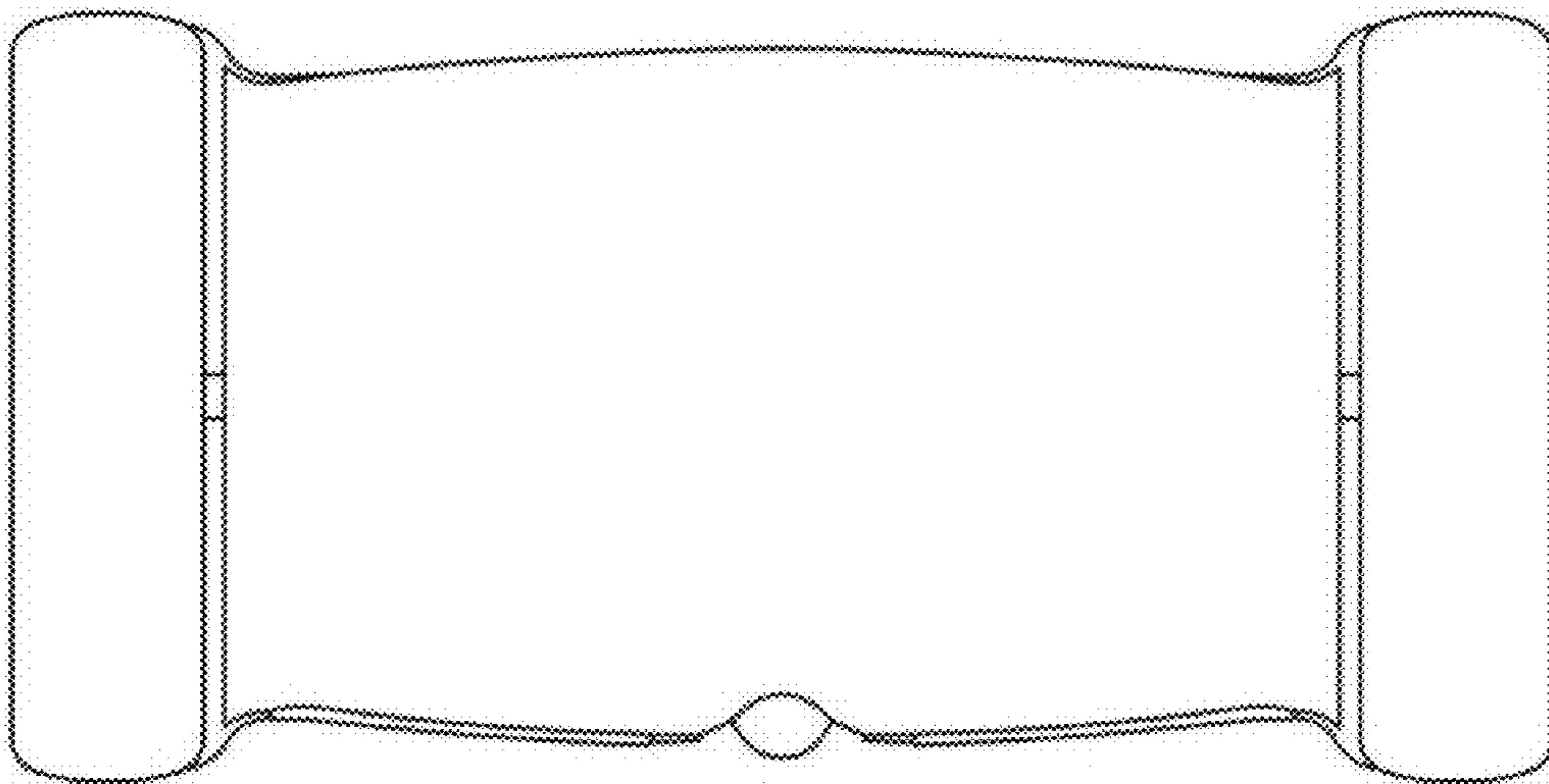
1.4



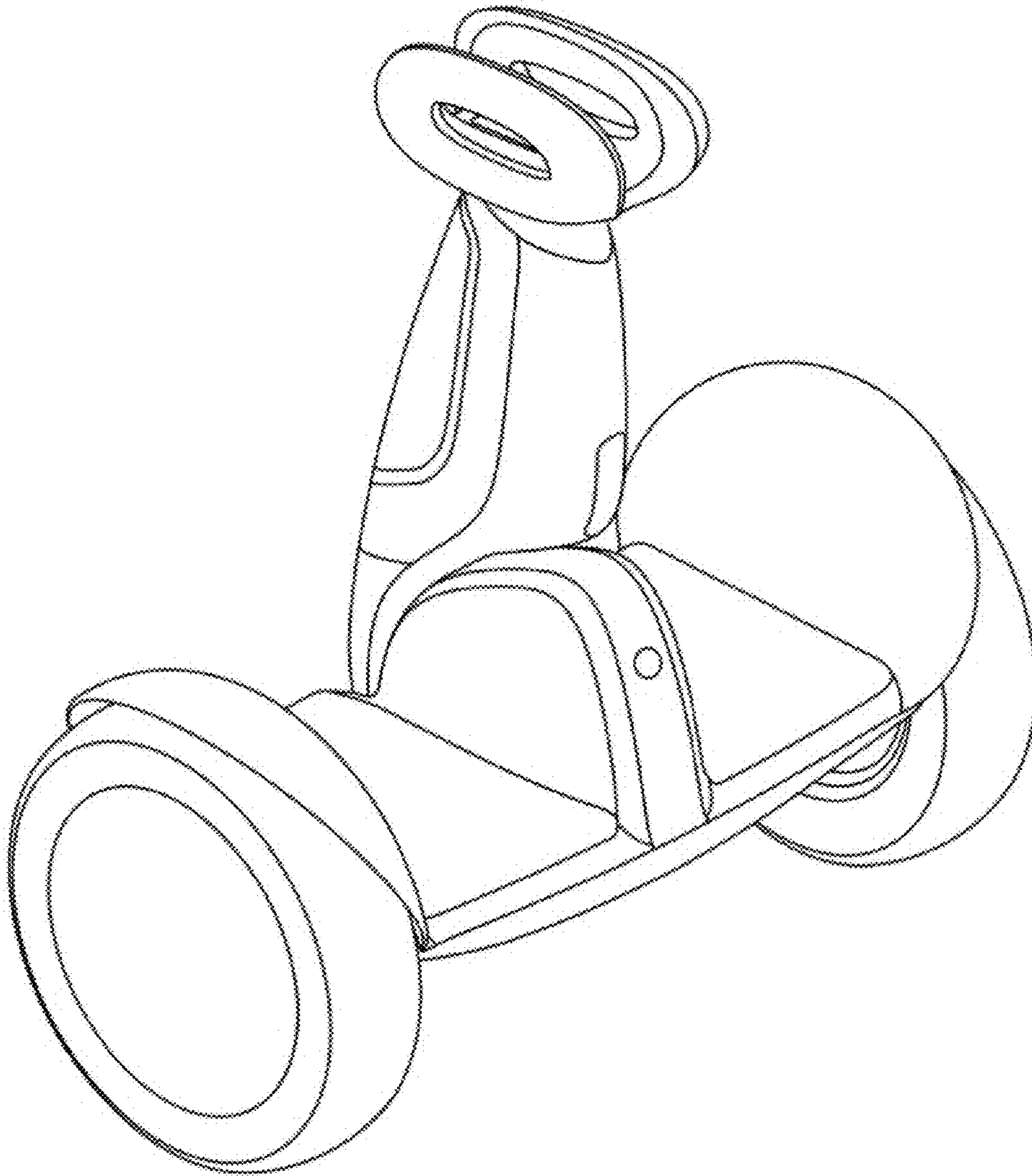
1.5



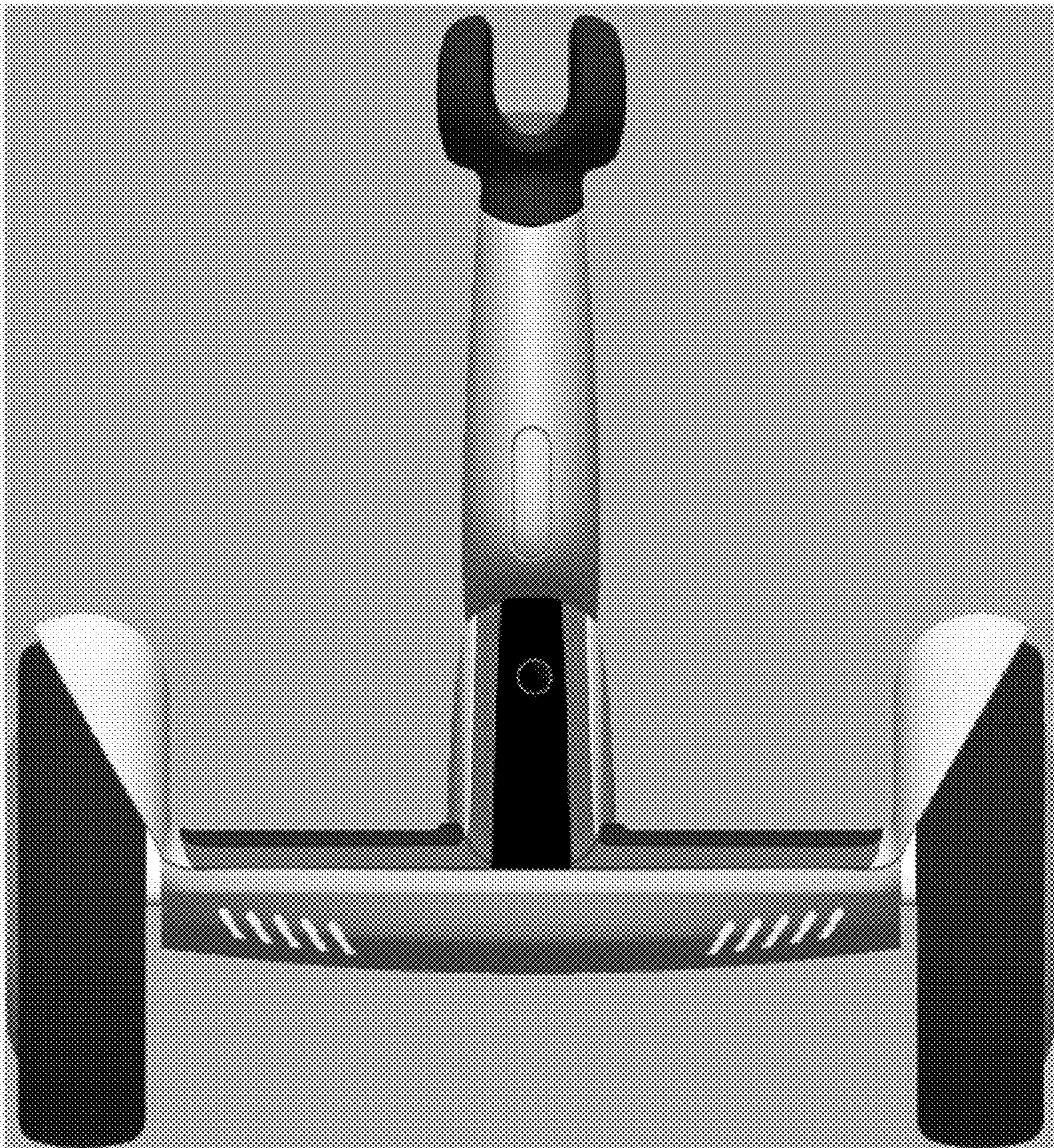
1.6



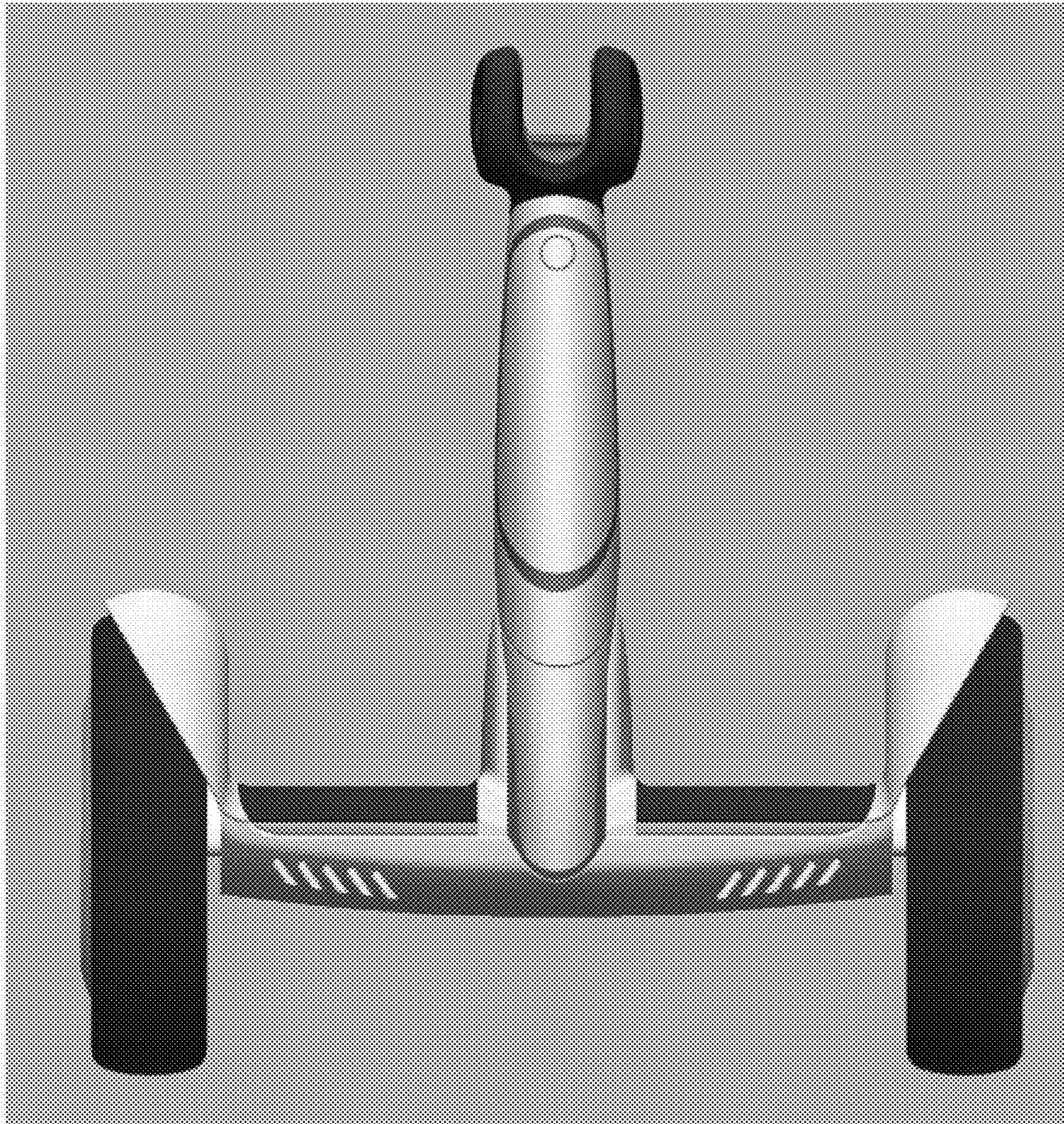
1.7



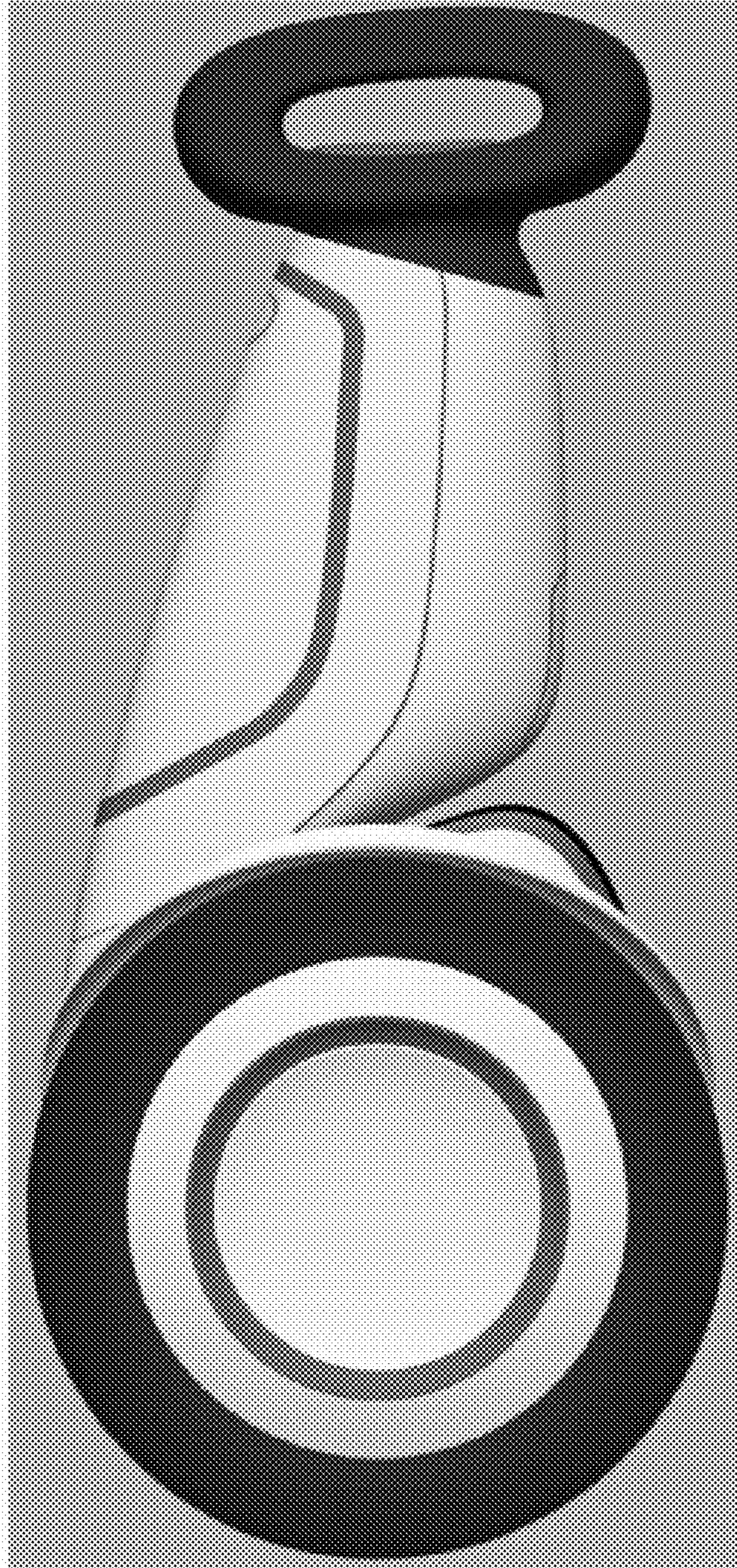
2.1



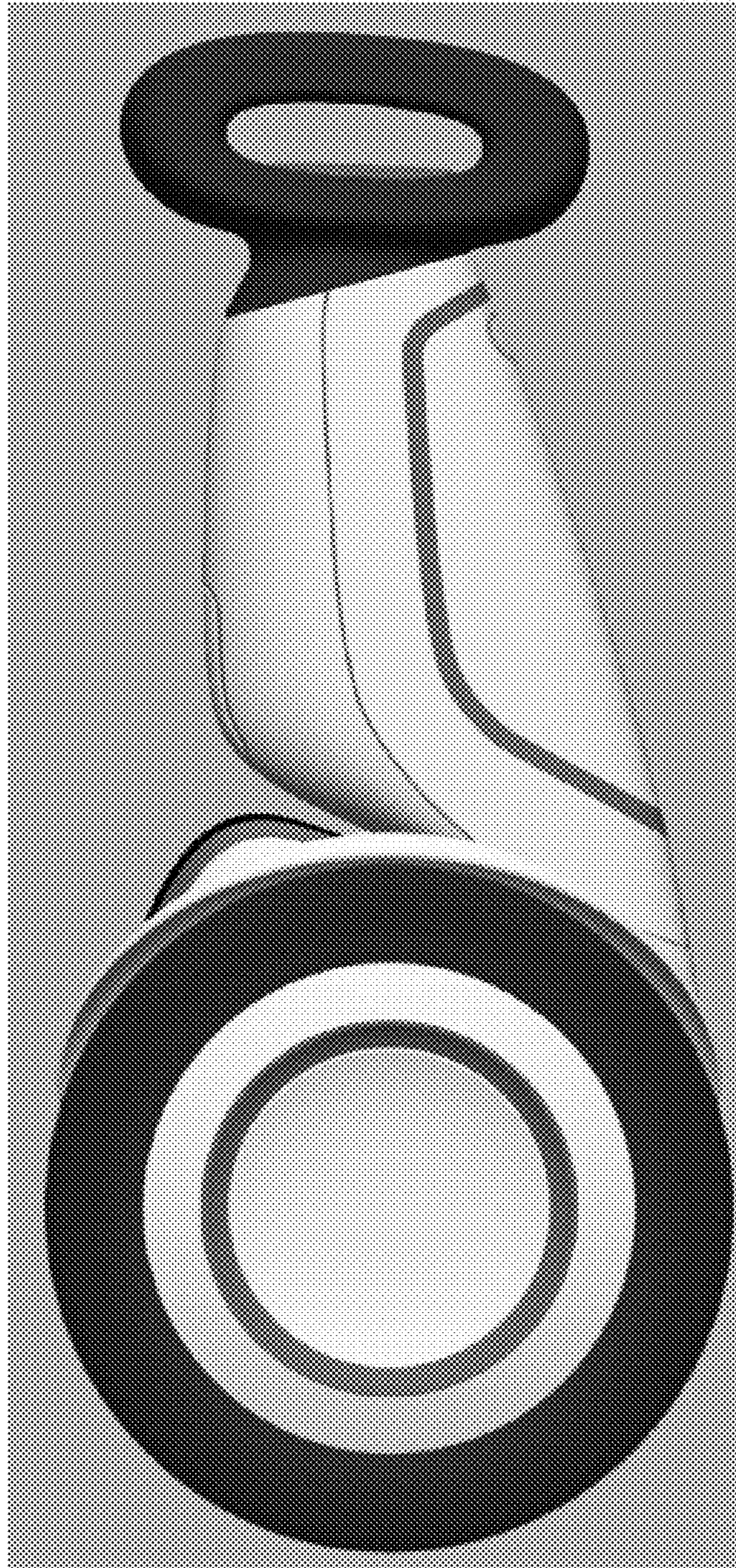
2.2



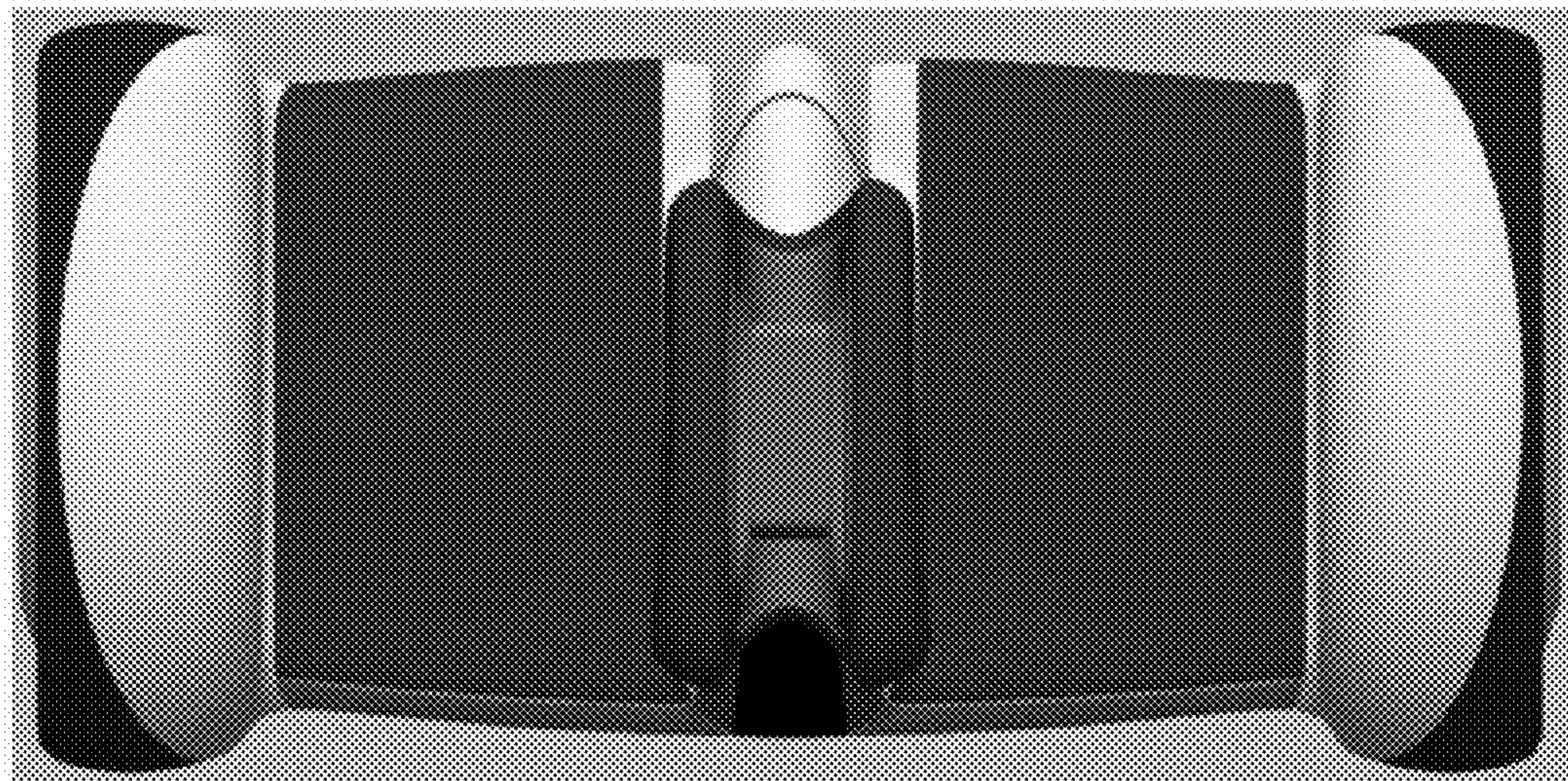
2.3



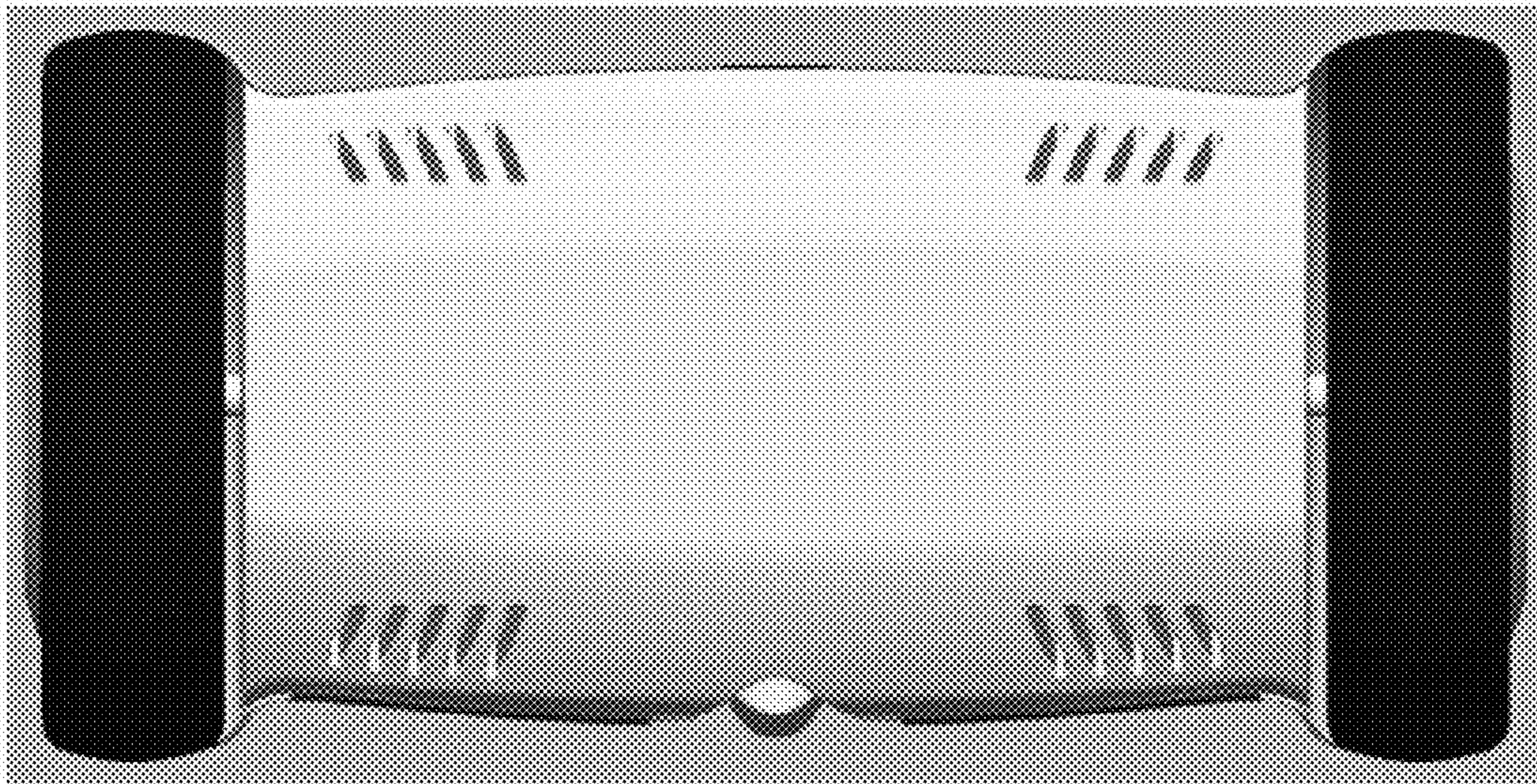
2.4



2.5



2.6



2.7

