



US00D836725S

(12) **United States Design Patent**  
**Yousef**

(10) **Patent No.:** **US D836,725 S**

(45) **Date of Patent:** **\*\* Dec. 25, 2018**

(54) **LED SIGN**

(71) Applicant: **Amid A. Yousef**, N. Royalton, OH (US)

(72) Inventor: **Amid A. Yousef**, N. Royalton, OH (US)

(\*\*) Term: **15 Years**

(21) Appl. No.: **29/573,740**

(22) Filed: **Aug. 9, 2016**

(51) **LOC (11) Cl.** ..... **20-03**

(52) **U.S. Cl.**  
USPC ..... **D20/39**

(58) **Field of Classification Search**  
USPC ..... D20/10, 11, 21-28, 37, 39-42, 99;  
D10/54, 109, 109.1, 111, 113.4, 114,  
D10/114.1

CPC ..... G09F 1/00; G09F 1/02; G09F 2003/023;  
G09F 2003/0261; G09F 2003/0264; G09F  
7/00; G09F 3/206; G09F 13/00; G09F  
2007/1807; G09F 13/04; G09F  
2013/0427; G09F 2013/0495; G09F 7/04;  
G09D 3/00

See application file for complete search history.

(56) **References Cited**

**U.S. PATENT DOCUMENTS**

D320,815 S *	10/1991	Frost	.....	D20/10
D336,313 S *	6/1993	Reed	.....	D20/10
D382,302 S *	8/1997	Grinbaum	.....	D20/10
D395,454 S *	6/1998	Hayashi	.....	D14/374
D424,538 S *	5/2000	Hayashi	.....	D14/126
D430,901 S *	9/2000	Palmer	.....	D20/10
6,192,611 B1 *	2/2001	Molla	.....	G09F 15/0025 160/378
D438,909 S *	3/2001	Najmi	.....	D20/28
D449,345 S *	10/2001	Lung	.....	D20/21
D493,197 S *	7/2004	Tagawa	.....	D20/27
D497,392 S *	10/2004	Benoit	.....	D20/10

D503,745 S *	4/2005	Yasuoka	.....	D20/10
D506,510 S *	6/2005	Yasuoka	.....	D20/10
D510,956 S *	10/2005	Yasuoka	.....	D20/10
D555,044 S *	11/2007	Balscheit	.....	D12/101
D572,764 S *	7/2008	Phan	.....	D20/10
D574,437 S *	8/2008	Green	.....	D20/10
7,517,105 B2 *	4/2009	Sakai	.....	G02F 1/133603 362/23.11
7,571,685 B2 *	8/2009	Hart	.....	B61L 29/24 105/355
D616,030 S *	5/2010	Mallard	.....	D12/101

(Continued)

*Primary Examiner* — Mary Ann Calabrese

*Assistant Examiner* — Sloan Rozin

(74) *Attorney, Agent, or Firm* — Alvin T. Rockhill

(57) **CLAIM**

The ornamental design for a LED sign, as shown and described.

**DESCRIPTION**

FIG. 1 is a front view of the LED sign of this invention. FIG. 2 is a front perspective view of the LED sign of this invention.

FIG. 3 is a bottom perspective view of the LED sign of this invention.

FIG. 4 is a front view of the LED sign of this invention.

FIG. 5 is a back view of the LED sign of this invention.

FIG. 6 is a top view of the LED sign of this invention.

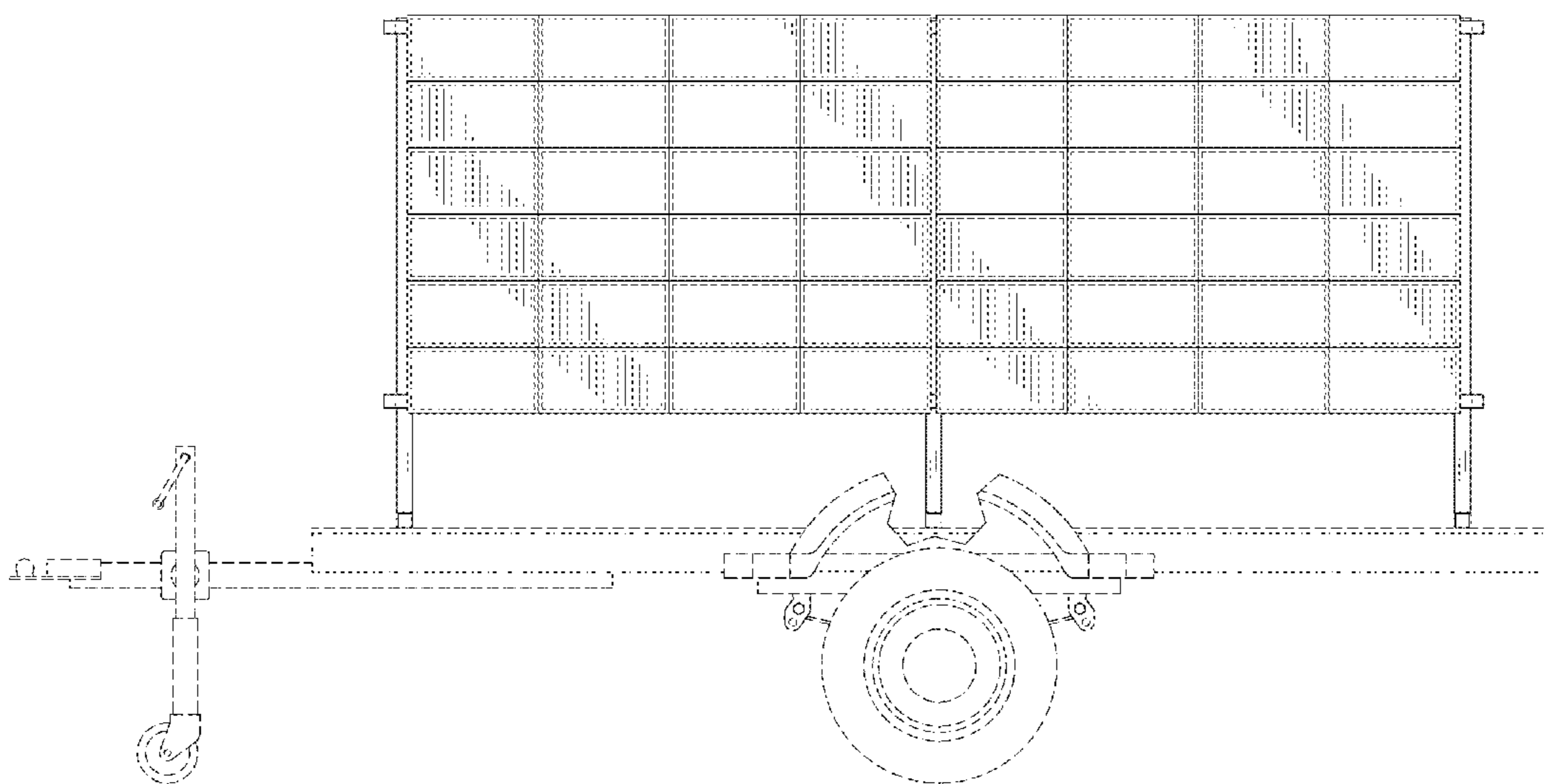
FIG. 7 is a bottom view of the LED sign of this invention.

FIG. 8 is a left side view of the LED sign of this invention; and,

FIG. 9 is a right side view of the LED sign of this invention.

The broken line showing of the trailer is for the purpose of illustrating environment and forms no part of the claimed design. The broken line showing of elements on the LED sign illustrate portions of the article and form no part of the claimed design.

**1 Claim, 8 Drawing Sheets**



(56)

**References Cited**

## U.S. PATENT DOCUMENTS

D626,599 S \* 11/2010 Ogawa ..... D19/113  
D635,189 S \* 3/2011 Bolt ..... D14/374  
7,900,386 B2 \* 3/2011 Zheng ..... G09F 15/00  
40/603  
D637,651 S \* 5/2011 Hase ..... D20/42  
D647,971 S \* 11/2011 Browne ..... D20/10  
D648,803 S \* 11/2011 DeBlonk ..... D20/10  
D656,994 S \* 4/2012 Podd ..... D20/42  
D662,146 S \* 6/2012 Podd ..... D20/42  
D670,764 S \* 11/2012 Han ..... D20/19  
D682,945 S \* 5/2013 Mastellone ..... D20/39  
D687,496 S \* 8/2013 Gaspar dos Santos ..... D20/39  
D701,269 S \* 3/2014 Nadeem ..... D20/10  
D714,389 S \* 9/2014 Lee ..... D20/42  
D714,871 S \* 10/2014 Dysart ..... D20/10  
D719,612 S \* 12/2014 Aleman ..... D20/41  
D744,595 S \* 12/2015 Chapman ..... D20/39  
D756,253 S \* 5/2016 Hsu ..... D10/111  
D757,180 S \* 5/2016 Indio da Costa ..... D20/41  
D799,354 S \* 10/2017 Di Giovine ..... D10/111  
9,812,044 B1 \* 11/2017 Yousef ..... G09F 21/04  
2017/0239837 A1 \* 8/2017 Carlburg ..... B28B 1/025  
2018/0033259 A1 \* 2/2018 Cummings ..... G08B 5/006  
2018/0068596 A1 \* 3/2018 Rensmo ..... G09F 13/0413

\* cited by examiner

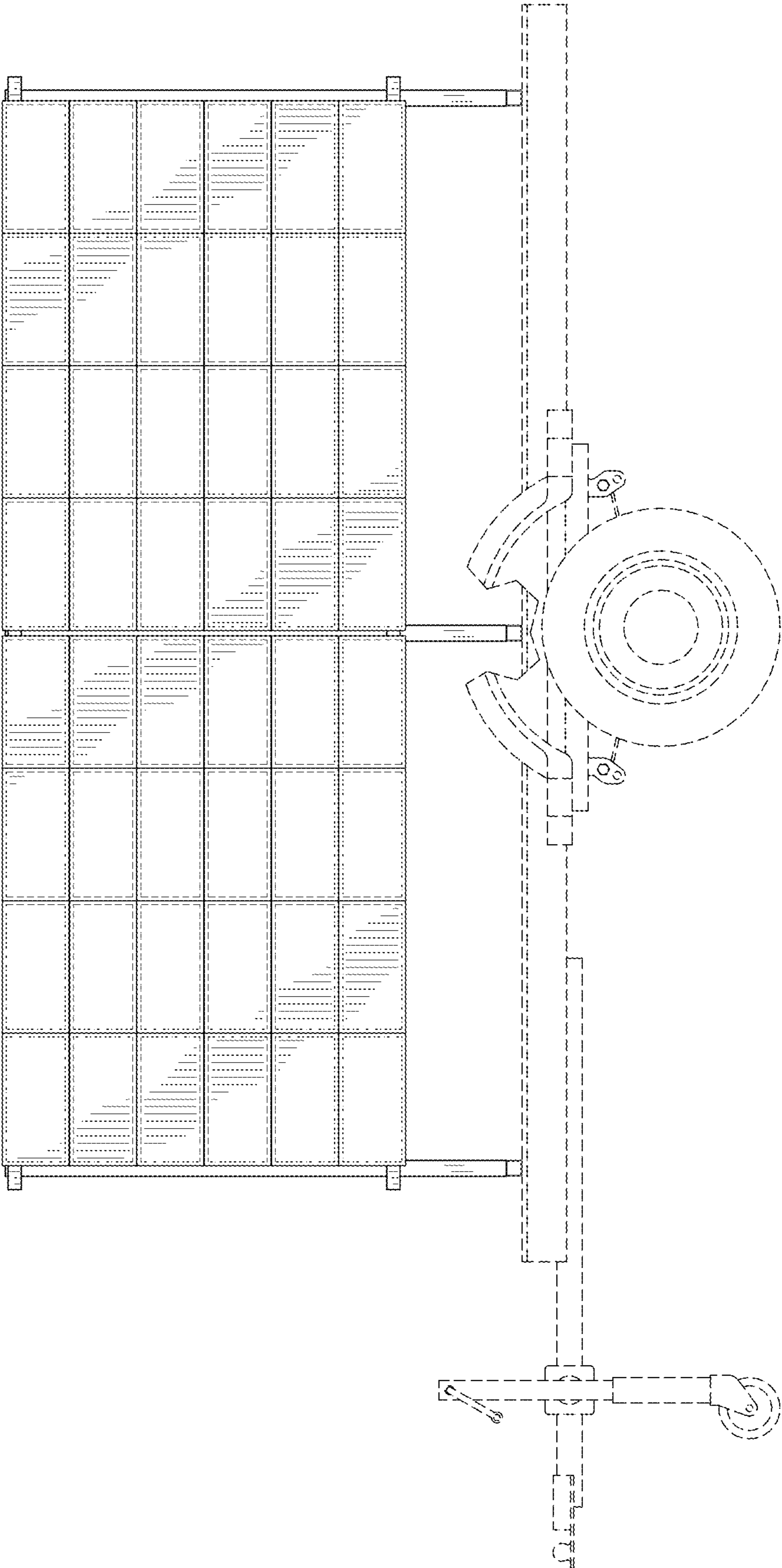


FIG-1

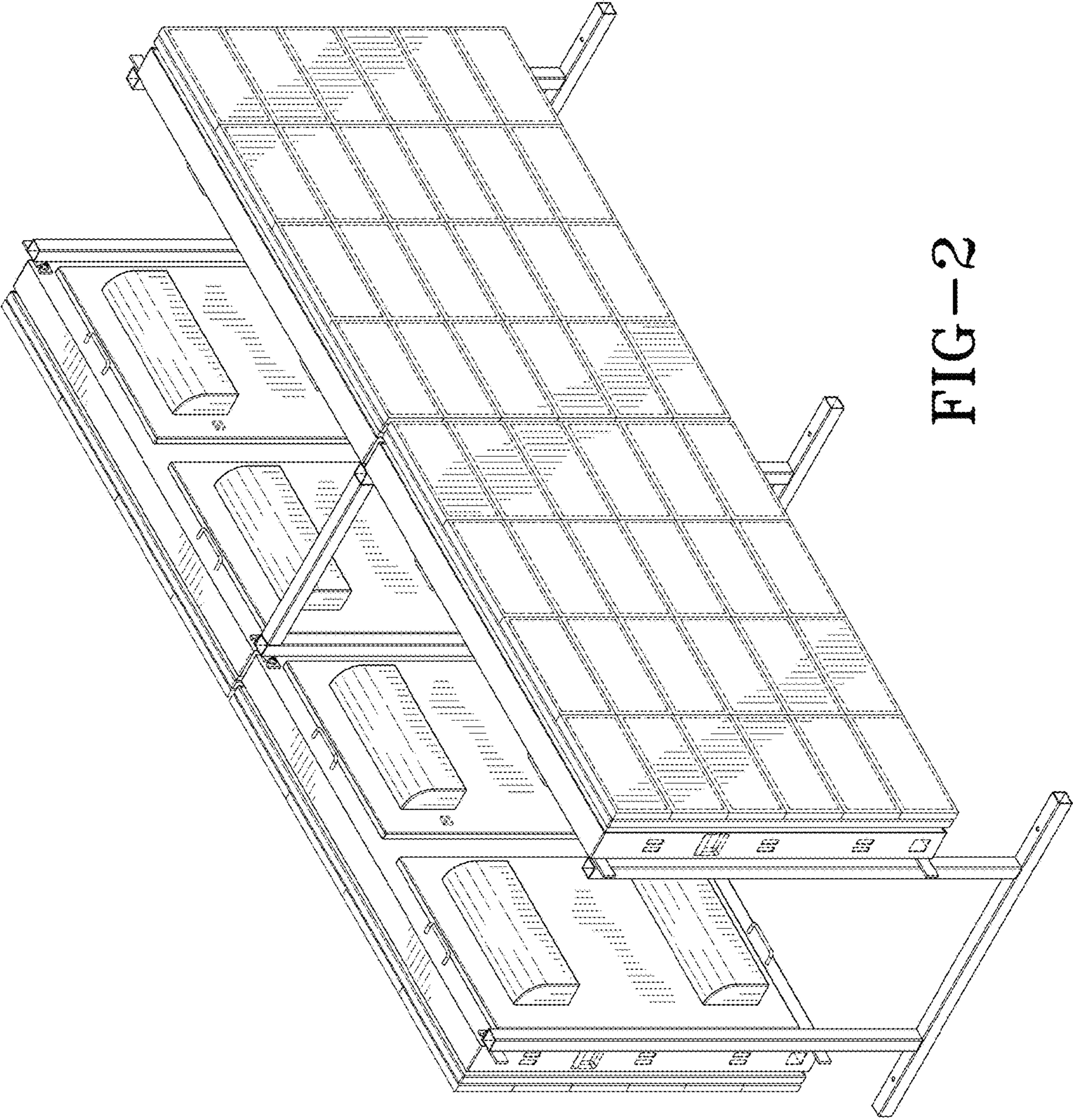


FIG-2

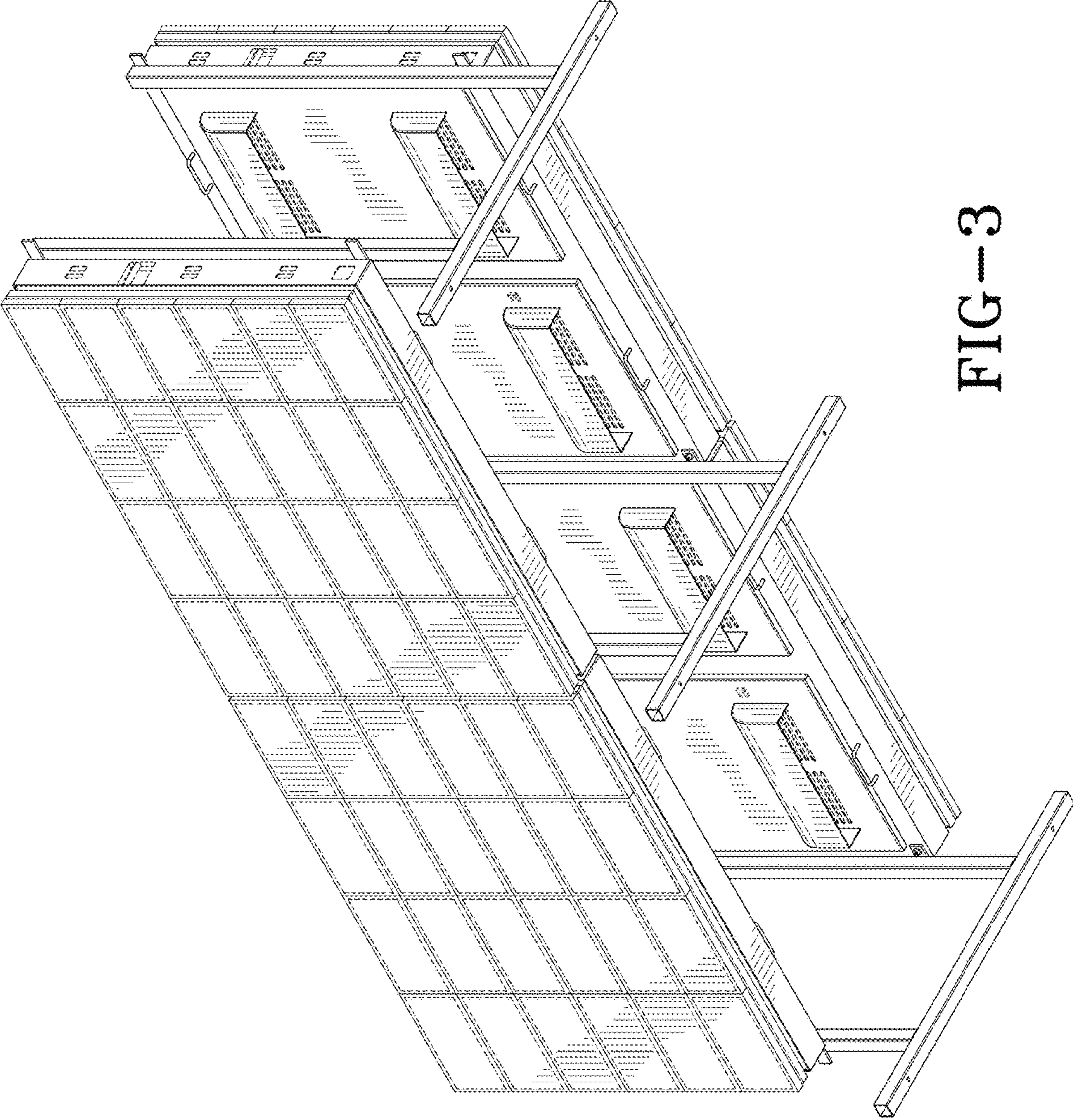


FIG-3

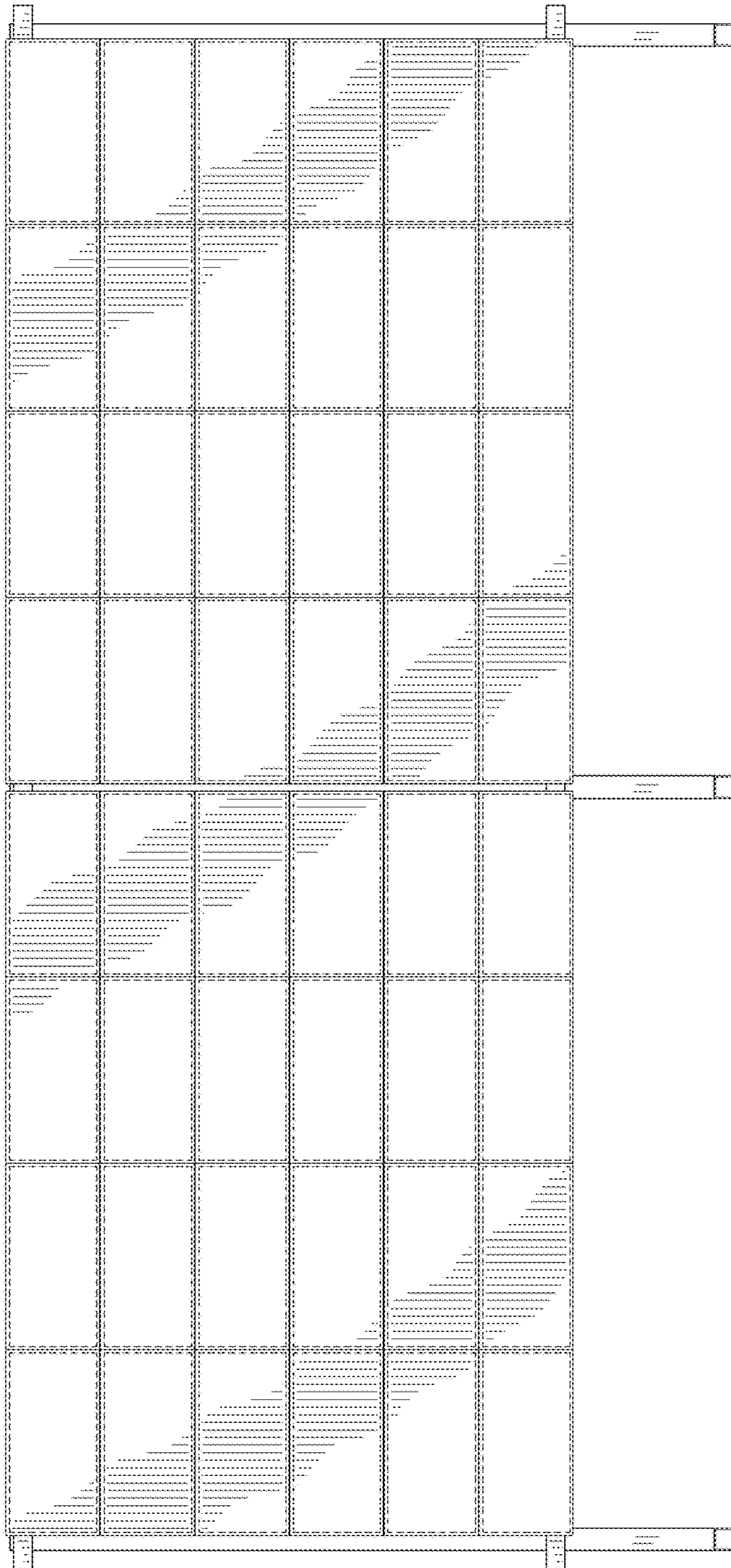


FIG-4

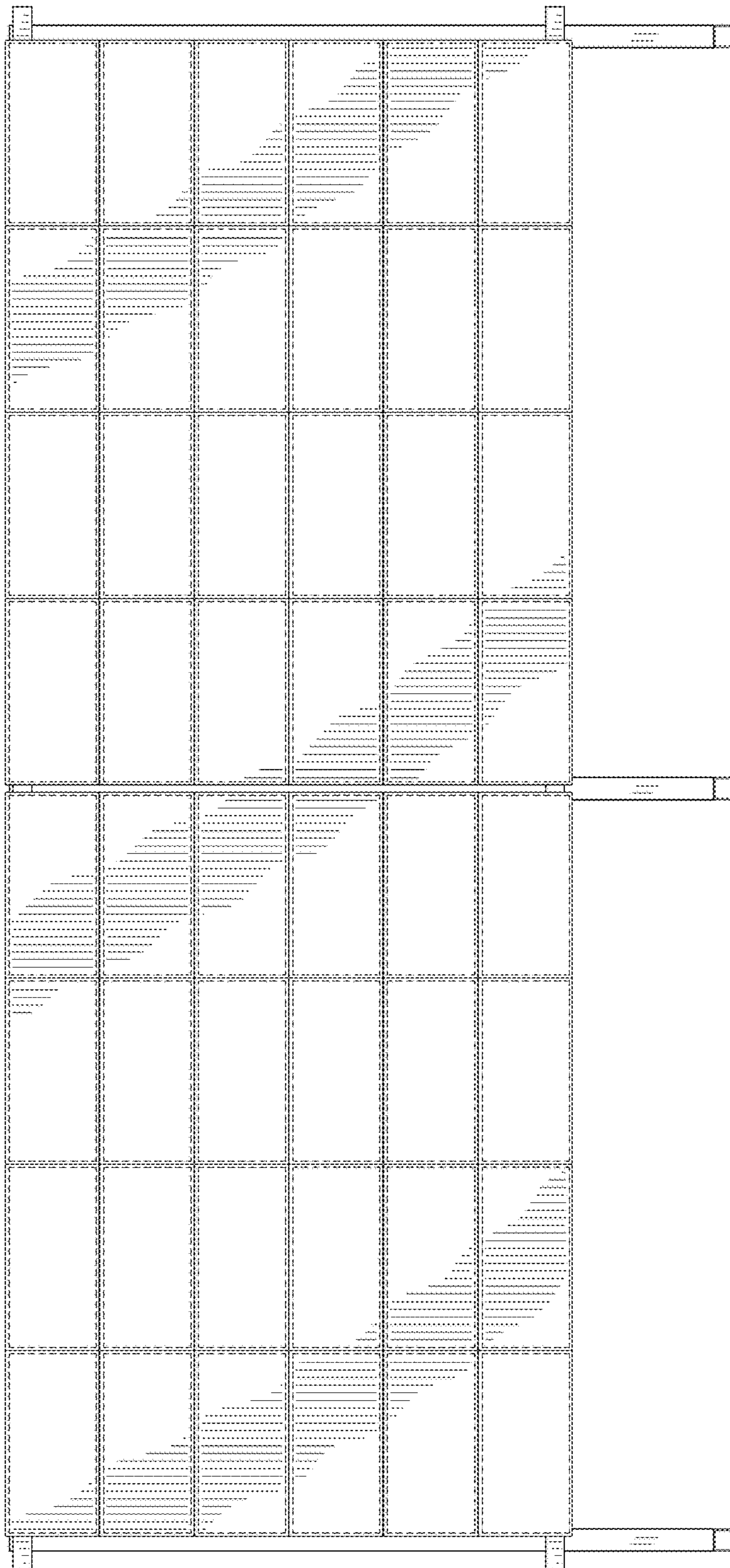


FIG-5

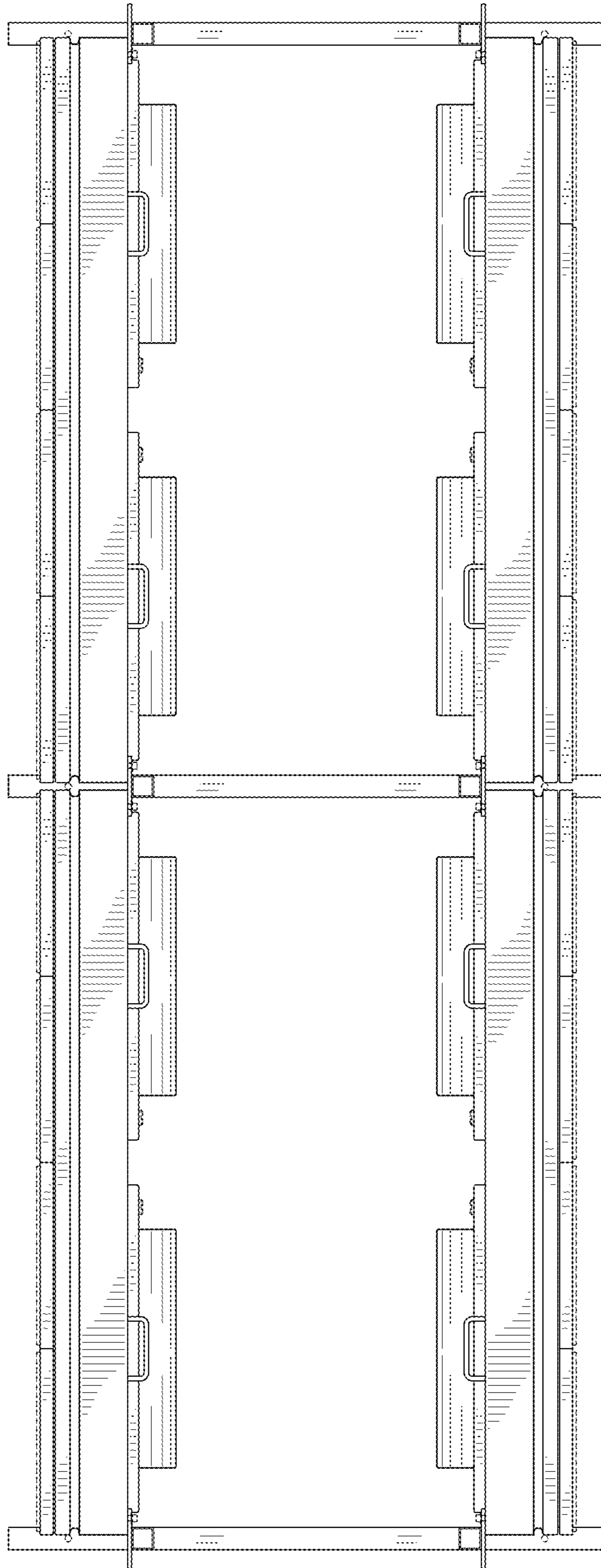


FIG-6



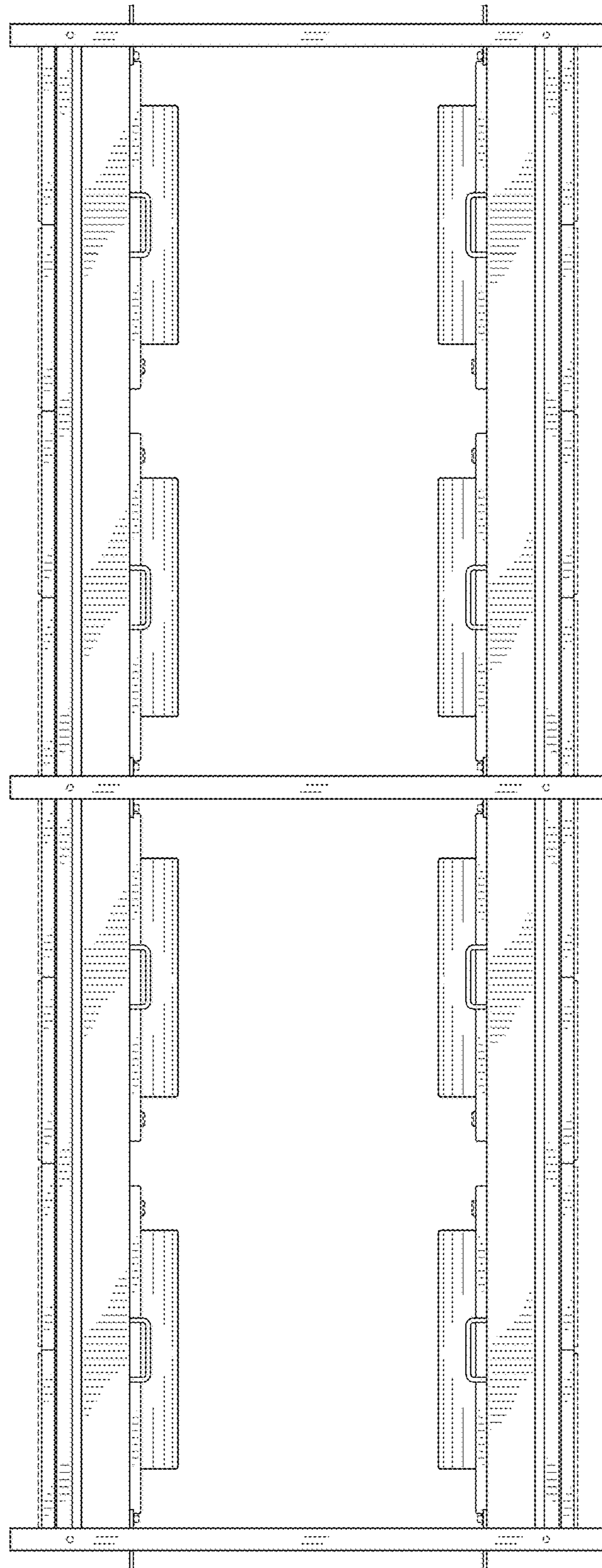


FIG-7

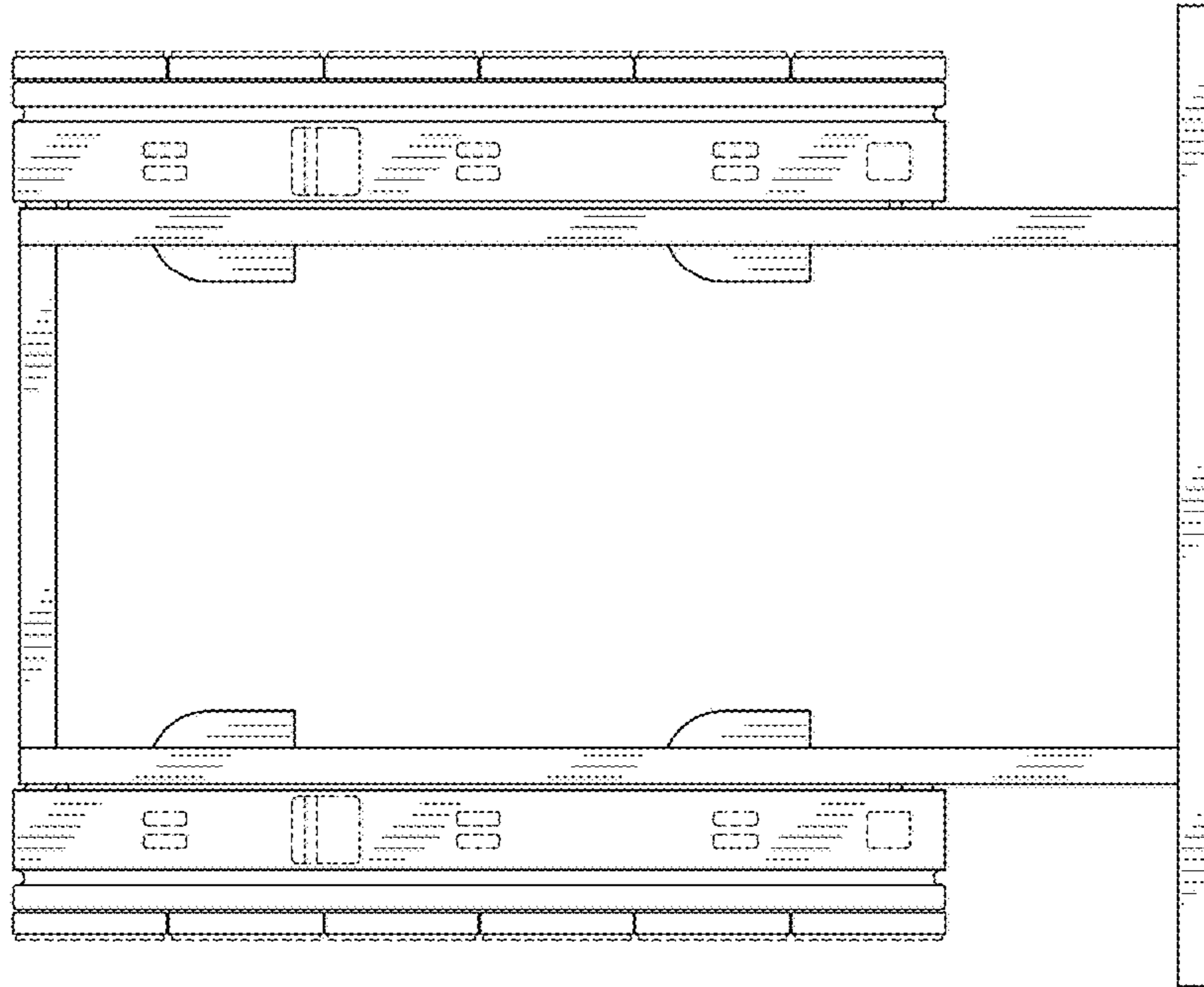


FIG-9

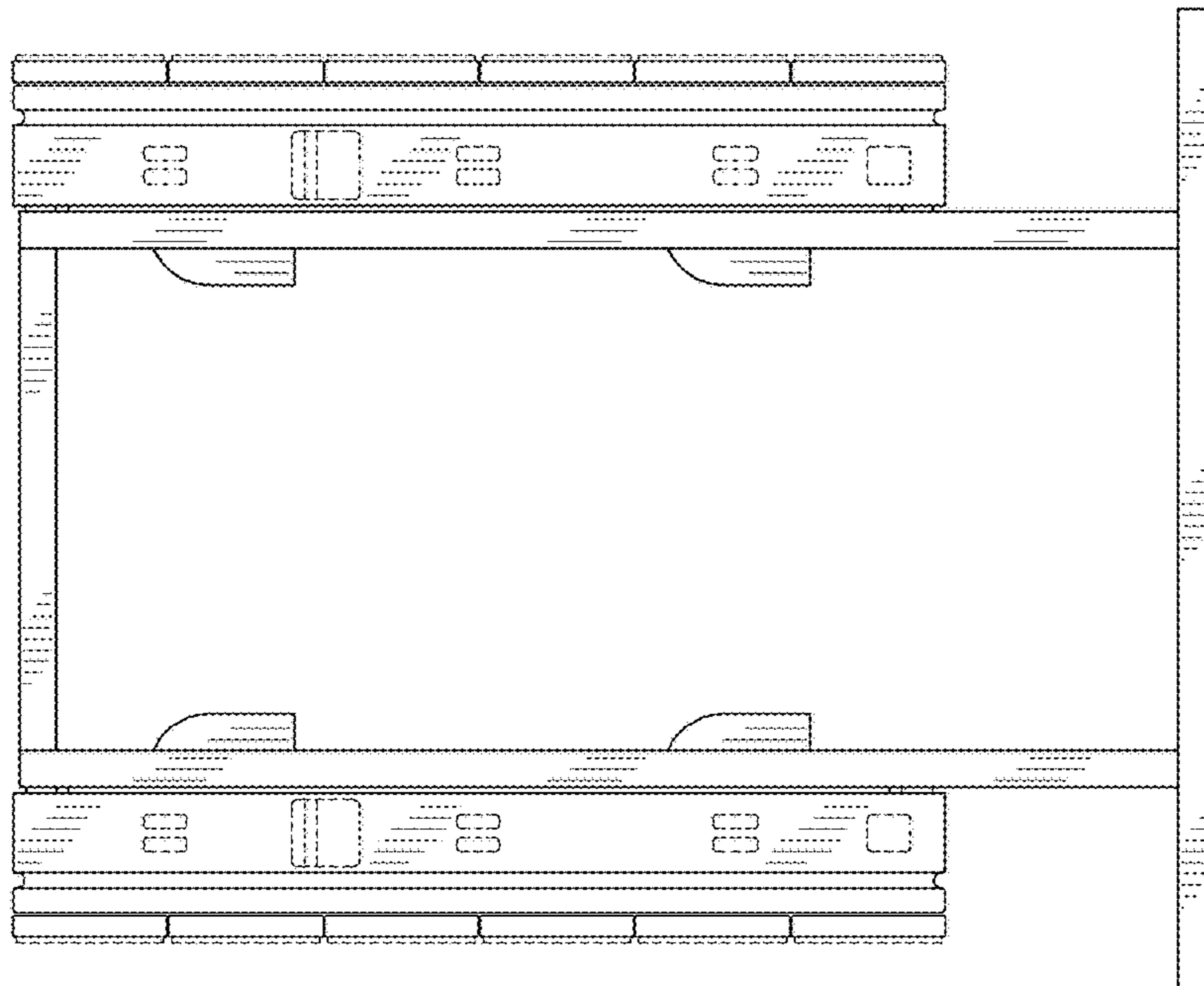


FIG-8